



US00D686566S

(12) **United States Design Patent**  
**Maus et al.**

(10) **Patent No.:** **US D686,566 S**

(45) **Date of Patent:** **\*\* Jul. 23, 2013**

(54) **TIRE**

(75) Inventors: **Peter Johann Cornelius Maus,**  
Büllingen (BE); **Francois Pierre**  
**Charles Gerard Georges,** Stavelot (BE)

(73) Assignee: **The Goodyear Tire & Rubber**  
**Company,** Akron, OH (US)

(\*\*) Term: **14 Years**

(21) Appl. No.: **29/403,008**

(22) Filed: **Sep. 30, 2011**

(51) **LOC (9) Cl.** ..... **12-15**

(52) **U.S. Cl.**  
USPC ..... **D12/594**

(58) **Field of Classification Search**  
USPC ..... D12/568-603; 152/209.1-209.28  
See application file for complete search history.

(56) **References Cited**

U.S. PATENT DOCUMENTS

D273,777 S	5/1984	Igarashi et al.	.....	D12/147
D302,411 S	7/1989	Goergen et al.	.....	D12/146
D302,412 S	7/1989	Goergen et al.	.....	D12/146
D315,130 S *	3/1991	Patel et al.	.....	D12/574
D365,790 S *	1/1996	Chen	.....	D12/579
D383,102 S	9/1997	Harris et al.	.....	D12/147
D385,519 S	10/1997	de Briey-Terlinden	.....	D12/147
D385,520 S	10/1997	Scheuren et al.	.....	D12/147
D388,033 S	12/1997	Scheuren et al.	.....	D12/146
D410,420 S	6/1999	de Barsy	.....	D12/147
D419,119 S	1/2000	Beauguitte et al.	.....	D12/147
D444,109 S	6/2001	De Coninck et al.	.....	D12/147
D471,151 S	3/2003	Otsuji	.....	D12/559
D492,643 S	7/2004	Robert	.....	D12/579
D517,977 S	3/2006	Robert	.....	D12/579
D549,157 S	8/2007	Maus et al.	.....	D12/544
D549,163 S	8/2007	Maus et al.	.....	D12/579
D577,657 S	9/2008	Maus et al.	.....	D12/544
D586,731 S	2/2009	Neubauer et al.	.....	D12/579

D586,735 S	2/2009	Lo	.....	D12/602
D598,369 S	8/2009	Beha	.....	D12/602
D598,370 S	8/2009	Beha	.....	D12/602
D599,732 S	9/2009	Simon et al.	.....	D12/580
D601,086 S	9/2009	Maus	.....	D12/602
D601,488 S	10/2009	Maus et al.	.....	D12/600
D604,690 S	11/2009	Dixon et al.	.....	D12/579
D629,744 S	12/2010	Umstot et al.	.....	D12/579
D631,002 S	1/2011	Cazin-Bourguignon	.....	D12/602
		et al.	.....	D12/602

\* cited by examiner

Primary Examiner — George D Kirschbaum

(74) Attorney, Agent, or Firm — Richard B. O'Planick

(57) **CLAIM**

The ornamental design for a tire, as shown and described.

**DESCRIPTION**

FIG. 1 is a perspective view of a tire showing our new design, it being understood that the pattern repeats uniformly throughout the circumference of the tread;

FIG. 2 is a front elevational view thereof;

FIG. 3 is a right side elevational view thereof; the opposite side elevational view being identical thereto;

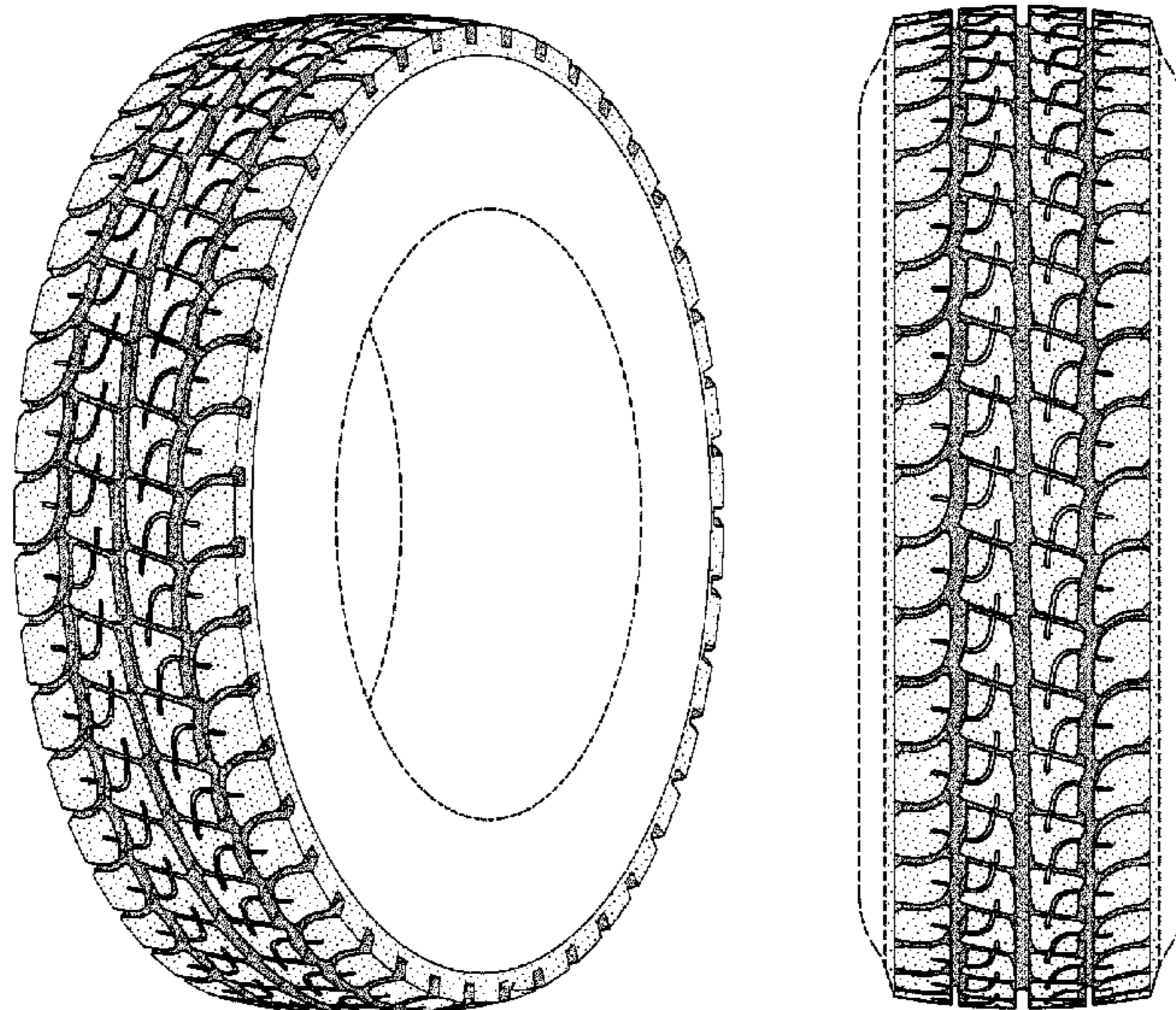
FIG. 4 is an enlarged fragmentary front elevational view thereof;

FIG. 5 is a perspective view of a second embodiment of a tire showing our new design, it being understood that the pattern repeats uniformly throughout the circumference of the tread and that the opposite side view is identical thereto; and,

FIG. 6 is a front elevational view of a second embodiment, it being understood that an enlarged fragmentary view thereof would be substantially identical to that shown in FIG. 4, with the exception of the inclusion of the sidewall in solid lines.

In the drawings, the broken lines showing of the sidewall, inner bead and the peripheral boundary between the tire tread and the sidewall in FIGS. 1 through 4 depict environmental subject matter and form no part of the claimed design.

**1 Claim, 6 Drawing Sheets**



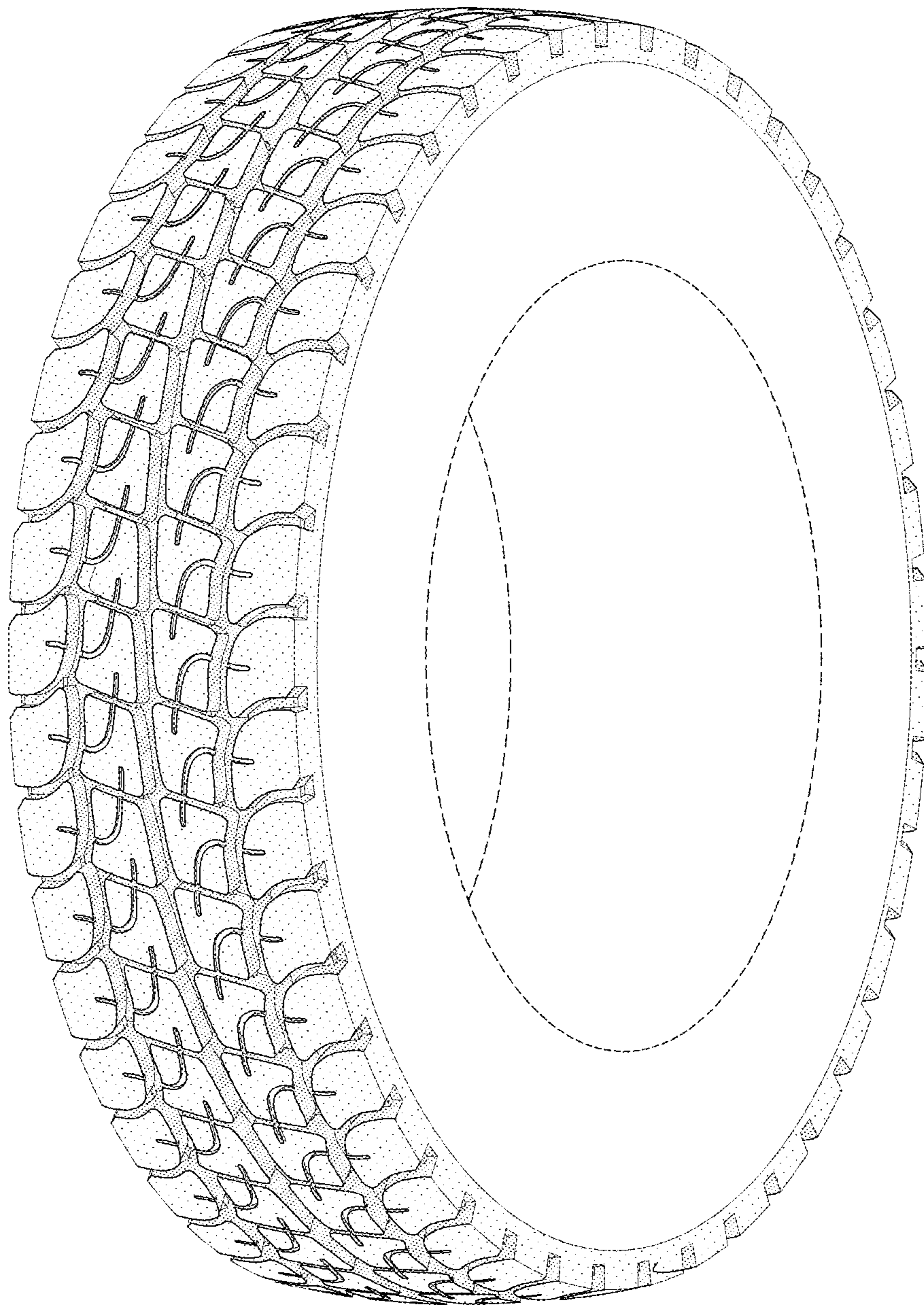


FIG-1

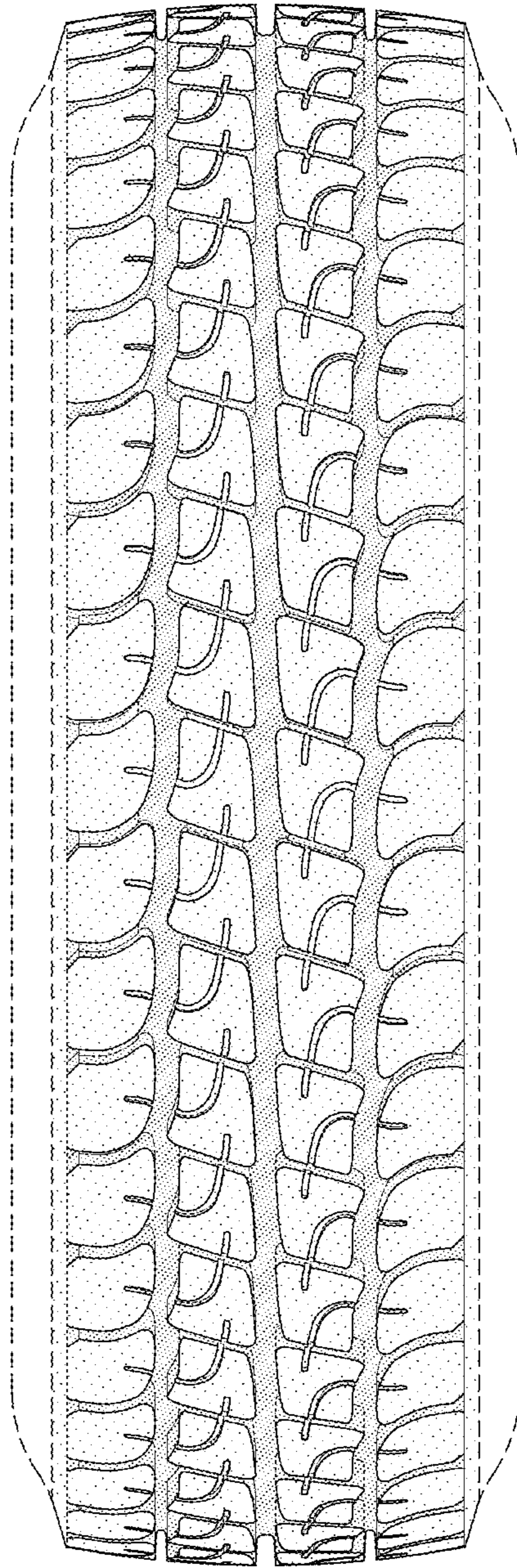


FIG-2

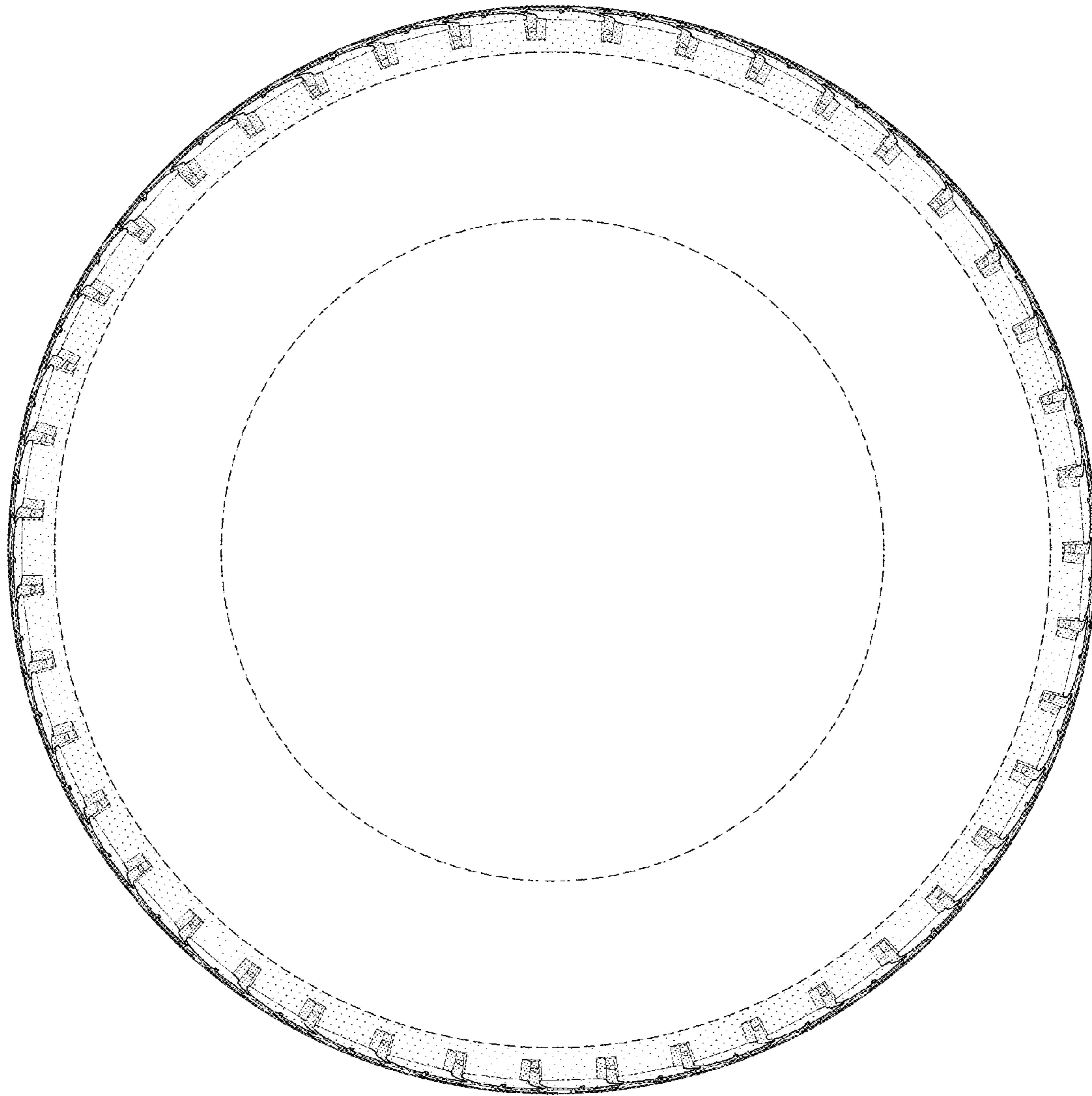


FIG-3

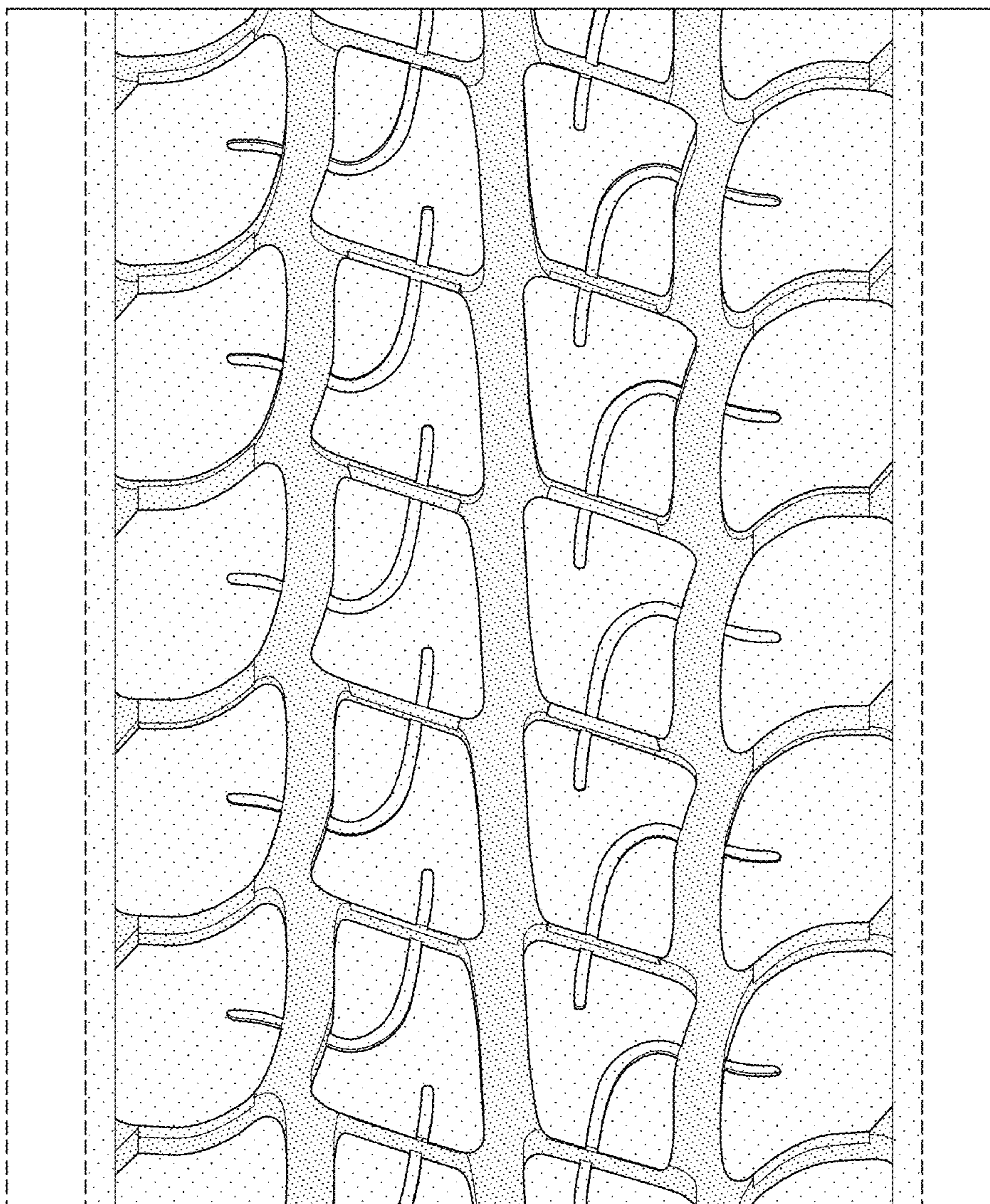


FIG-4

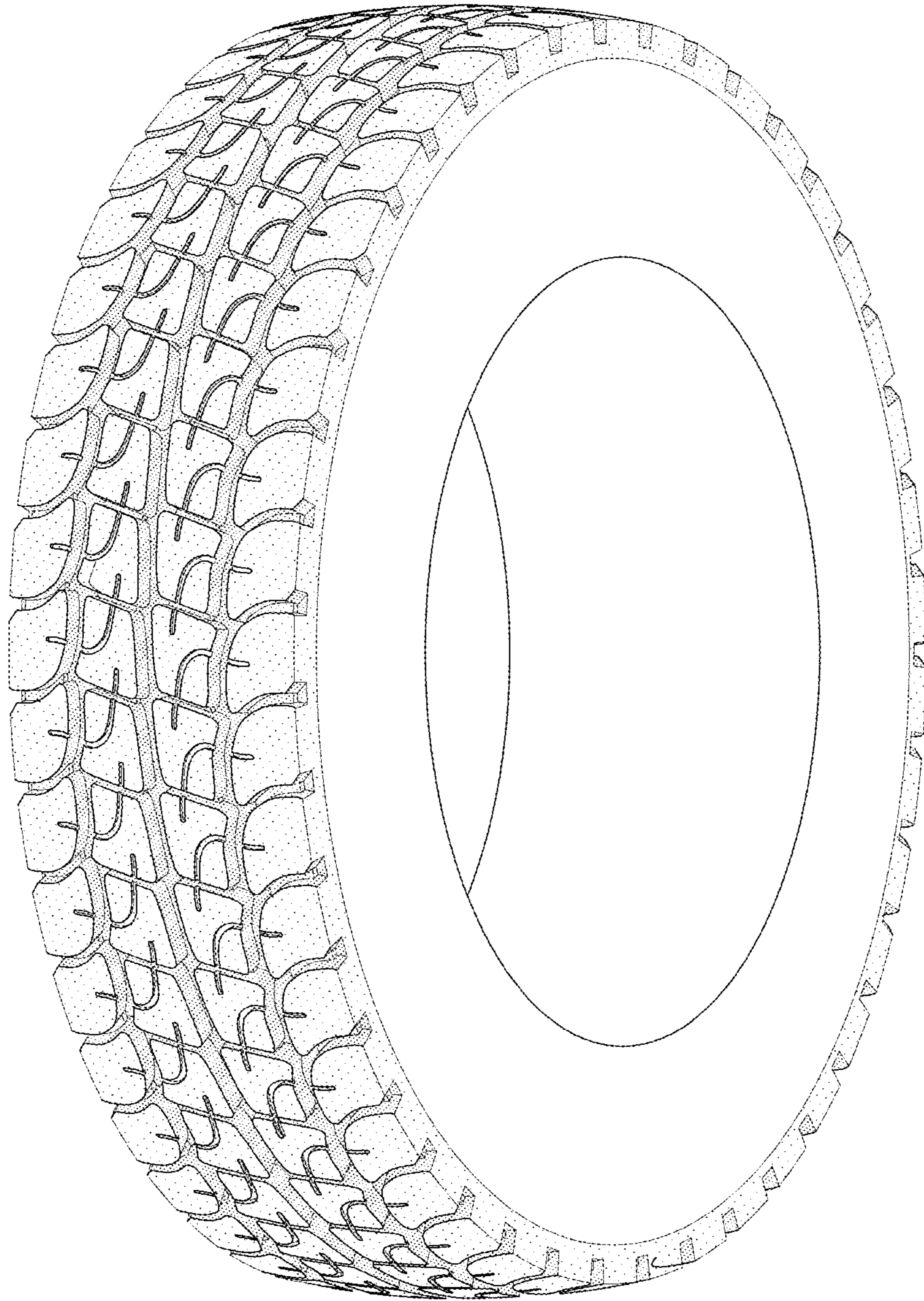


FIG-5

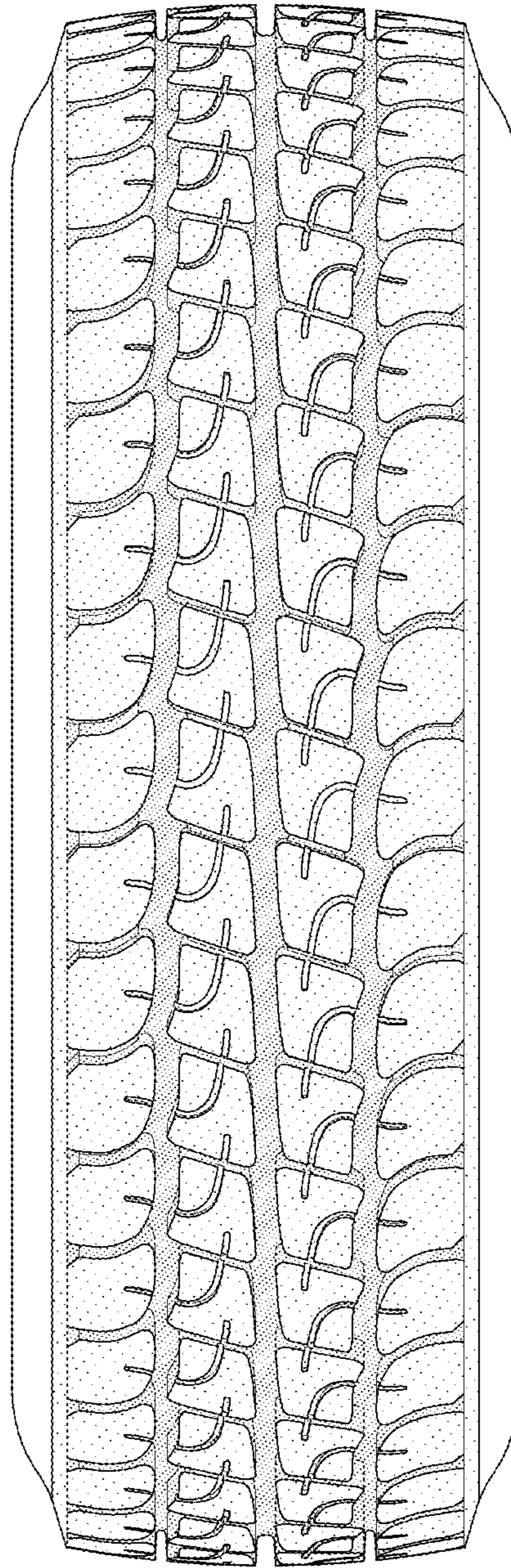


FIG-6