



US00D686562S

(12) **United States Design Patent**
Koyanagi

(10) **Patent No.:** **US D686,562 S**
(45) **Date of Patent:** **** Jul. 23, 2013**

(54) **TREAD PORTION OF AN AUTOMOBILE TIRE**

(75) Inventor: **Jun Koyanagi**, Tokyo (JP)
(73) Assignee: **Bridgestone Corporation**, Tokyo (JP)
(**) Term: **14 Years**
(21) Appl. No.: **29/404,909**
(22) Filed: **Oct. 26, 2011**

(30) **Foreign Application Priority Data**
Apr. 27, 2011 (JP) 2011-009842
(51) **LOC (9) Cl.** **12-15**
(52) **U.S. Cl.**
USPC **D12/549**
(58) **Field of Classification Search**
USPC D12/533-567; 152/209.1-209.28
See application file for complete search history.

(56) **References Cited**
U.S. PATENT DOCUMENTS
4,289,182 A * 9/1981 Sato et al. 152/209.11
D313,582 S * 1/1991 Tsutsumi et al. D12/550
D662,874 S * 7/2012 Koyanagi D12/567

FOREIGN PATENT DOCUMENTS
JP 810119 S 4/1991

OTHER PUBLICATIONS

Japanese Design Gazette dated Feb. 20, 2012 issued in the counterpart Japanese Design Application No. D2011-9842.

* cited by examiner

Primary Examiner — George D Kirschbaum
(74) *Attorney, Agent, or Firm* — Sughrue Mion, PLLC

(57) **CLAIM**
The ornamental design for a tread portion of an automobile tire, as shown and described.

DESCRIPTION

FIG. 1 is a perspective view of a tread portion of an automobile tire showing my new design;
FIG. 2 is a front view thereof;
FIG. 3 is a rear view thereof;
FIG. 4 is a plane view thereof;
FIG. 5 is a left side view thereof;
FIG. 6 is a right side view thereof;
FIG. 7 is a fragmentary enlarged view showing the details of the tread portion thereof;
FIG. 8 is an end view taken along line 8-8 in FIG. 7; and,
FIG. 9 is an end view taken along line 9-9 in FIG. 7 thereof.
In the drawings, the broken lines defining the sidewall, inner bead and the peripheral boundary between the claimed tire tread and the unclaimed sidewall depict environmental subject matter that forms no part of the claimed design.

1 Claim, 9 Drawing Sheets

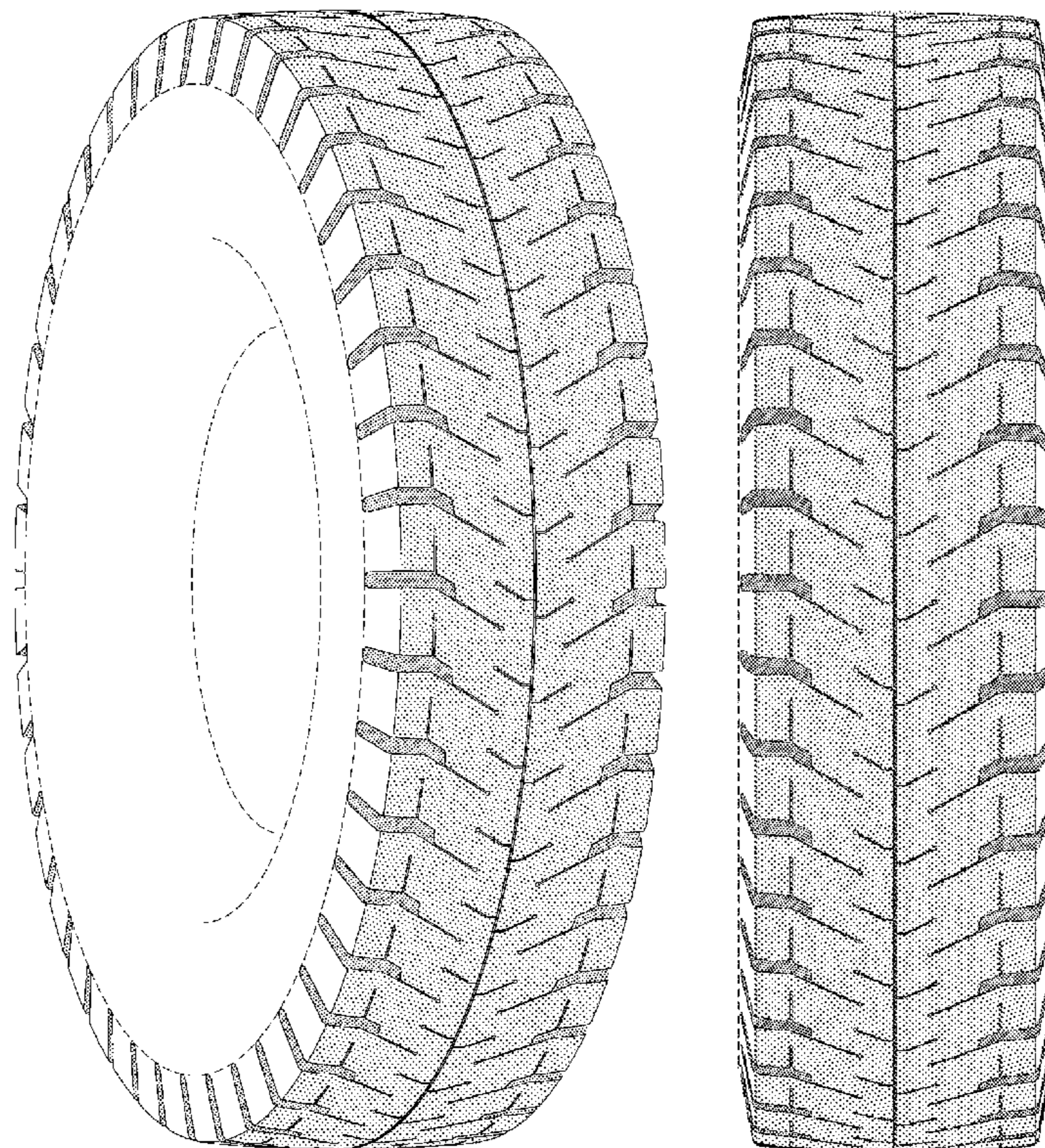


FIG. 1

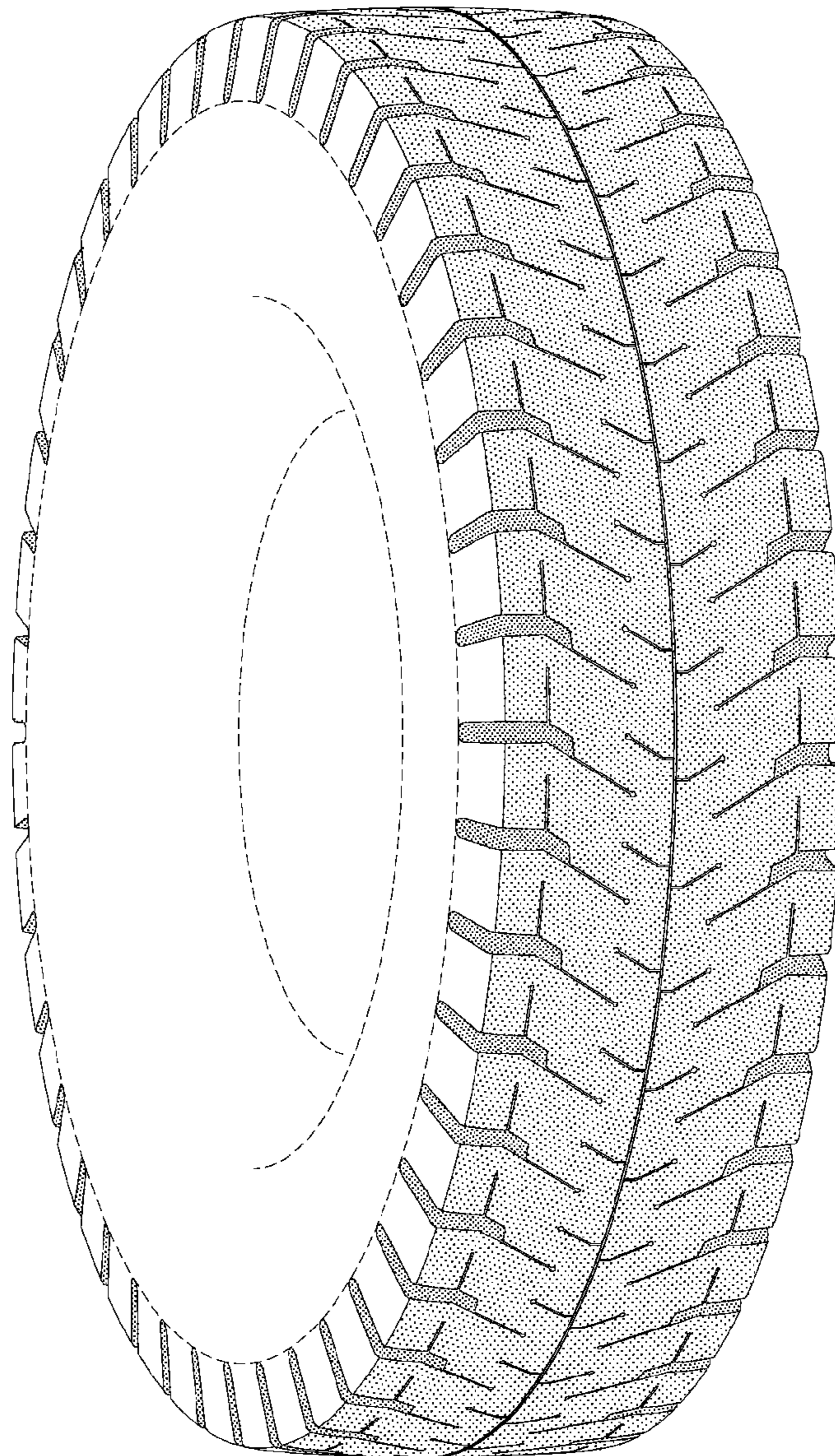


FIG. 2

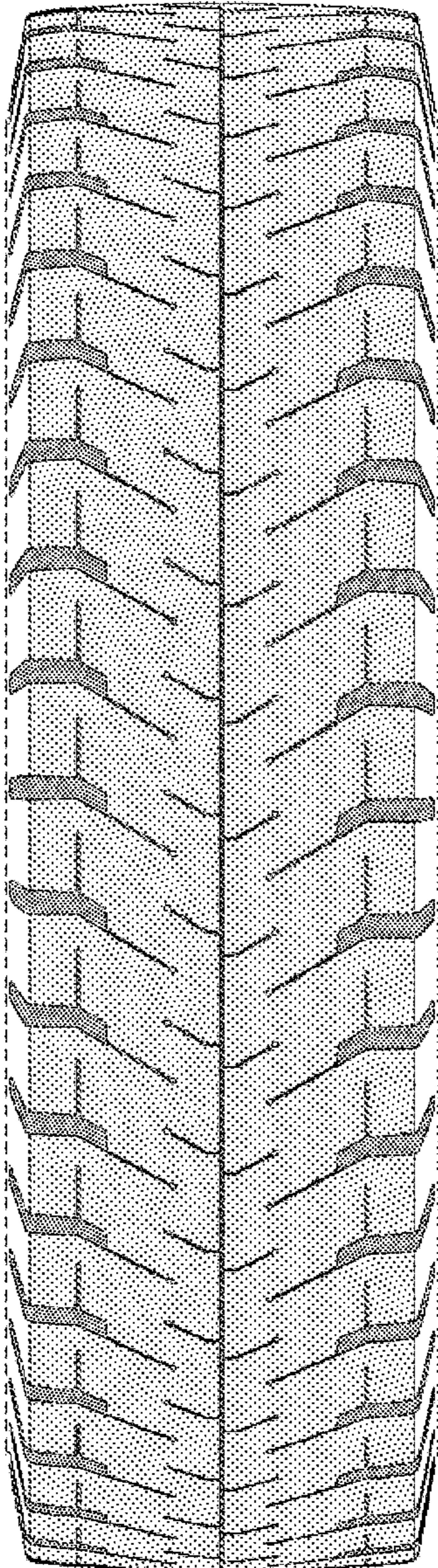


FIG. 3

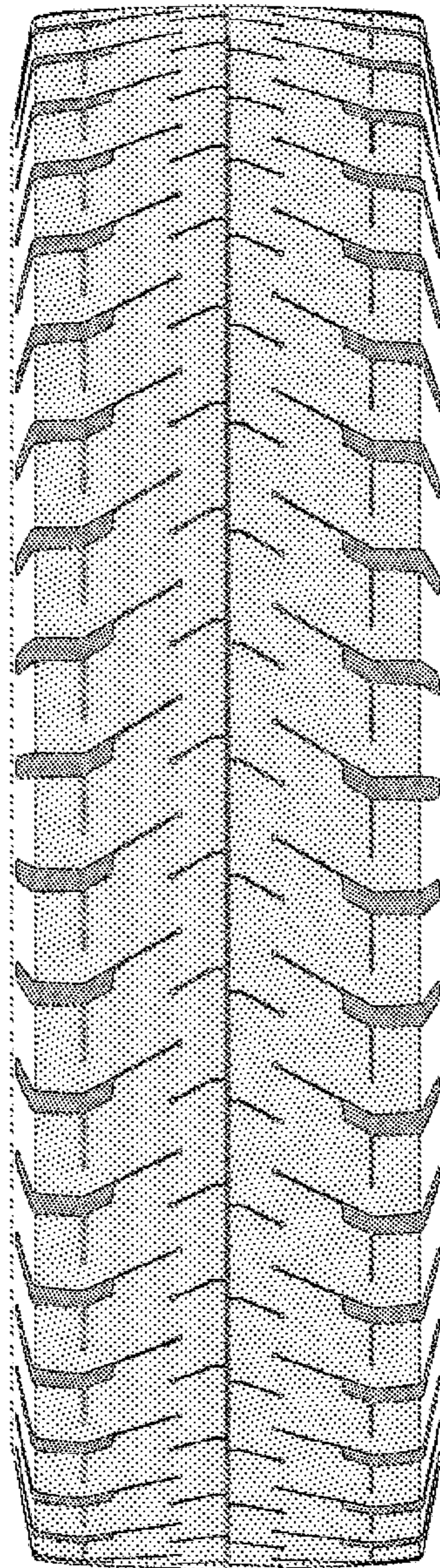


FIG. 4

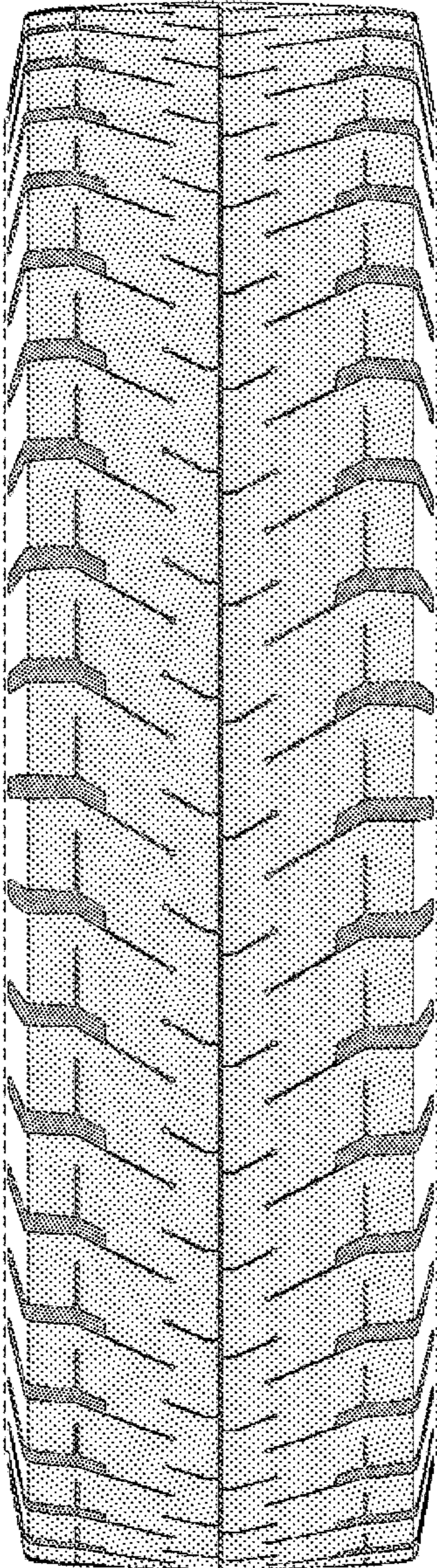


FIG. 5

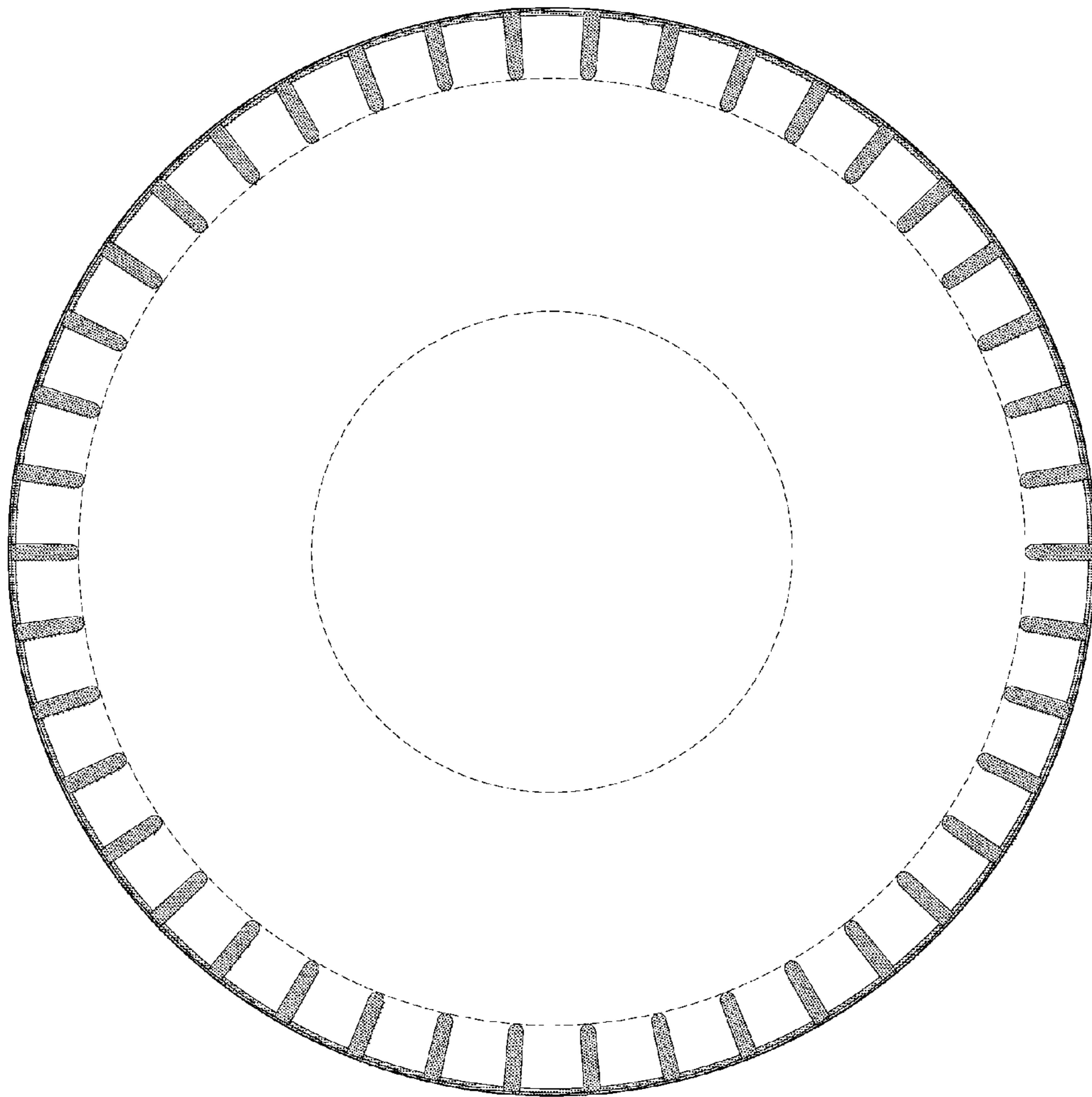


FIG. 6

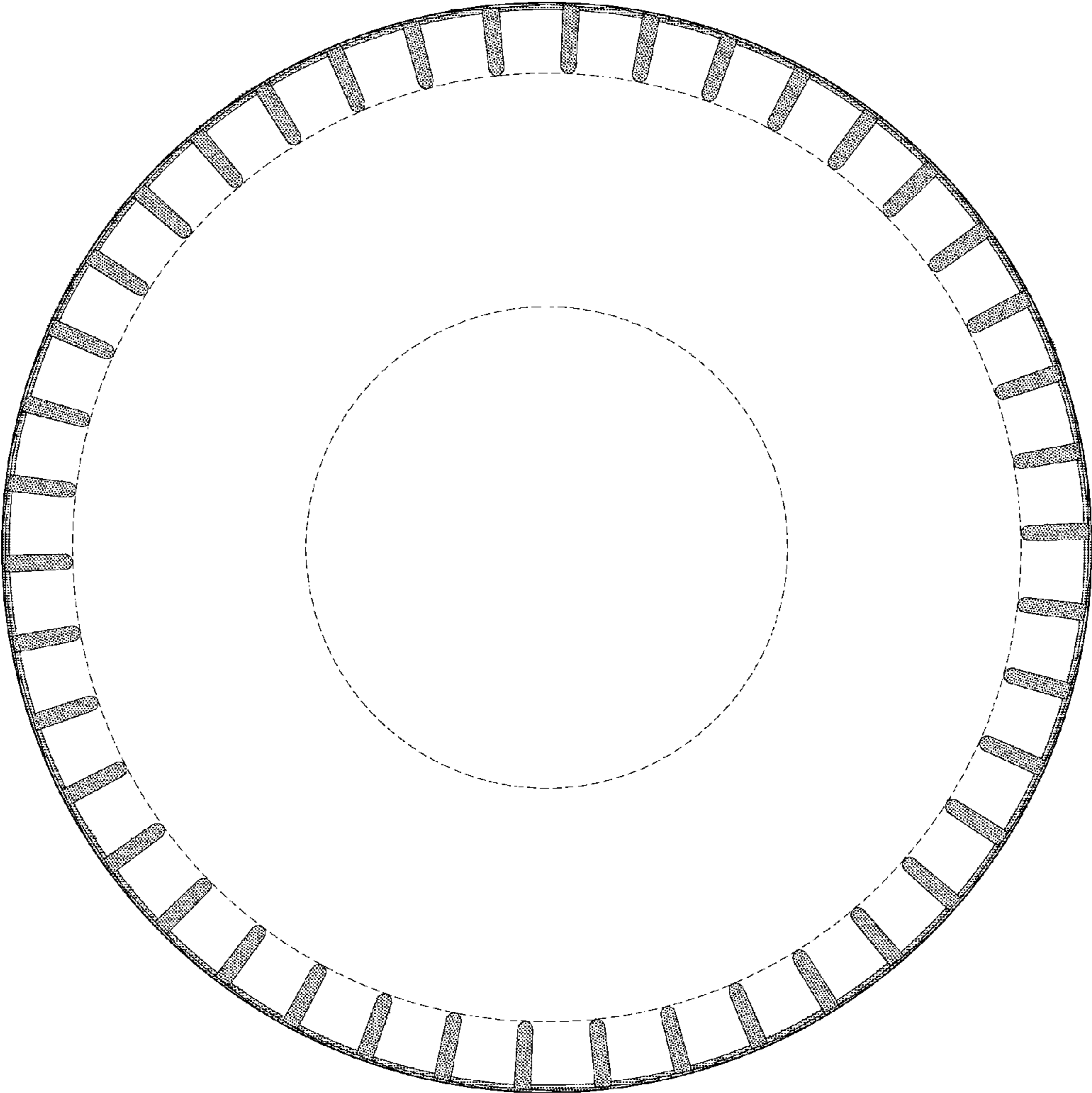


FIG. 7

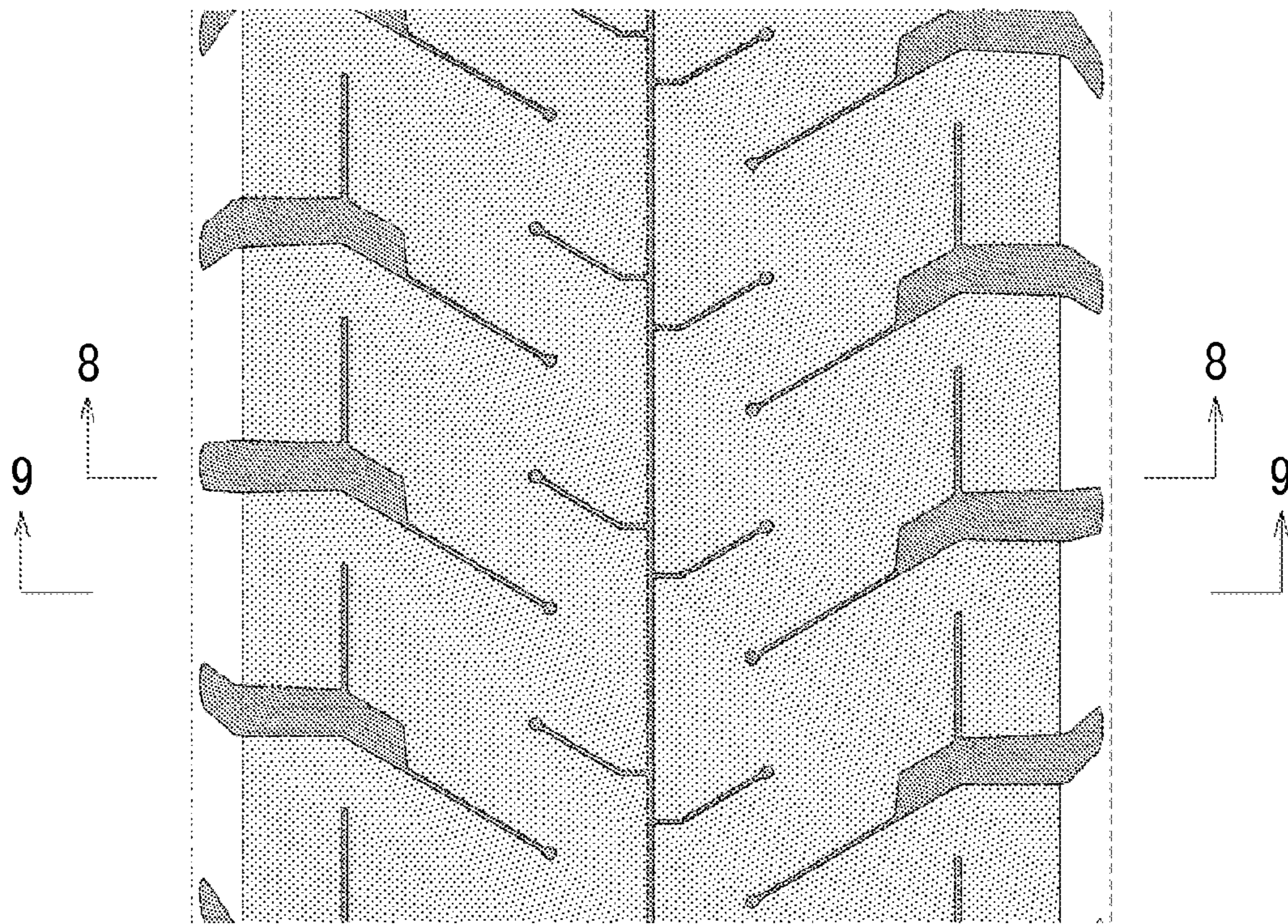


FIG. 8

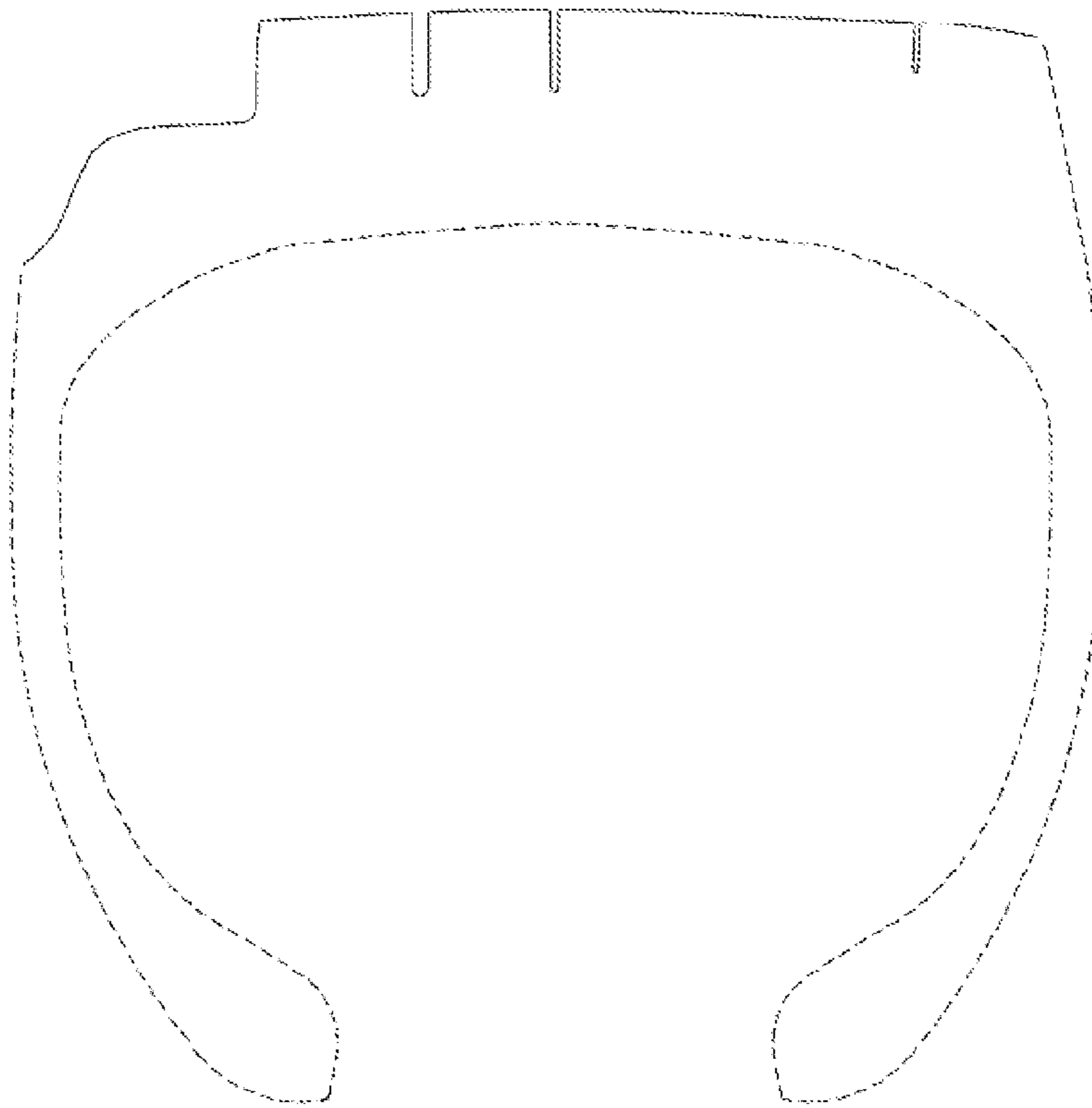


FIG. 9

