



US00D686560S

(12) **United States Design Patent**
Hamilton et al.

(10) **Patent No.:** **US D686,560 S**
(45) **Date of Patent:** **** Jul. 23, 2013**

(54) **CANOPY**

(76) Inventors: **Christine Hamilton**, Stockon on Tees (GB); **Brian Hamilton**, Stockon on Tees (GB)

(**) Term: **14 Years**

(21) Appl. No.: **29/397,445**

(22) Filed: **Jul. 15, 2011**

(30) **Foreign Application Priority Data**

Jan. 17, 2011 (EM) 001255152-0001

(51) **LOC (9) Cl.** **12-06**

(52) **U.S. Cl.**
USPC **D12/317**

(58) **Field of Classification Search**

USPC D12/300, 317, 318, 401, 403; D21/834, D21/837, 838, 839; D25/16, 56; 114/343, 114/345, 348, 349, 351, 361, 364; 135/87, 135/90, 95, 96, 114, 116, 117, 124, 125, 135/126, 128, 143, 157; 296/136.01, 136.02, 296/136.04, 136.07, 136.11, 136.12; 150/166
See application file for complete search history.

(56) **References Cited**

U.S. PATENT DOCUMENTS

3,312,990 A * 4/1967 Lapworth 114/361
3,354,892 A 11/1967 Frieder
3,604,440 A * 9/1971 Wilson 114/361
D272,333 S * 1/1984 Potterbaum et al. D12/401
4,492,175 A 1/1985 Johnson
D291,074 S * 7/1987 Ravana D12/403
D332,935 S * 2/1993 Moore D12/317

D402,373 S * 12/1998 James D25/16
6,129,034 A * 10/2000 Santa Cruz et al. 114/361
6,848,387 B1 2/2005 Zalanka
7,270,075 B1 * 9/2007 Jones 114/361
D562,755 S * 2/2008 Cares D12/317
D583,747 S * 12/2008 Napieraj D12/403

FOREIGN PATENT DOCUMENTS

CA 2088948 8/1994
WO 2004024550 3/2004

* cited by examiner

Primary Examiner — Cynthia M Chin

(74) *Attorney, Agent, or Firm* — McClure, Qualey & Rodack, LLP

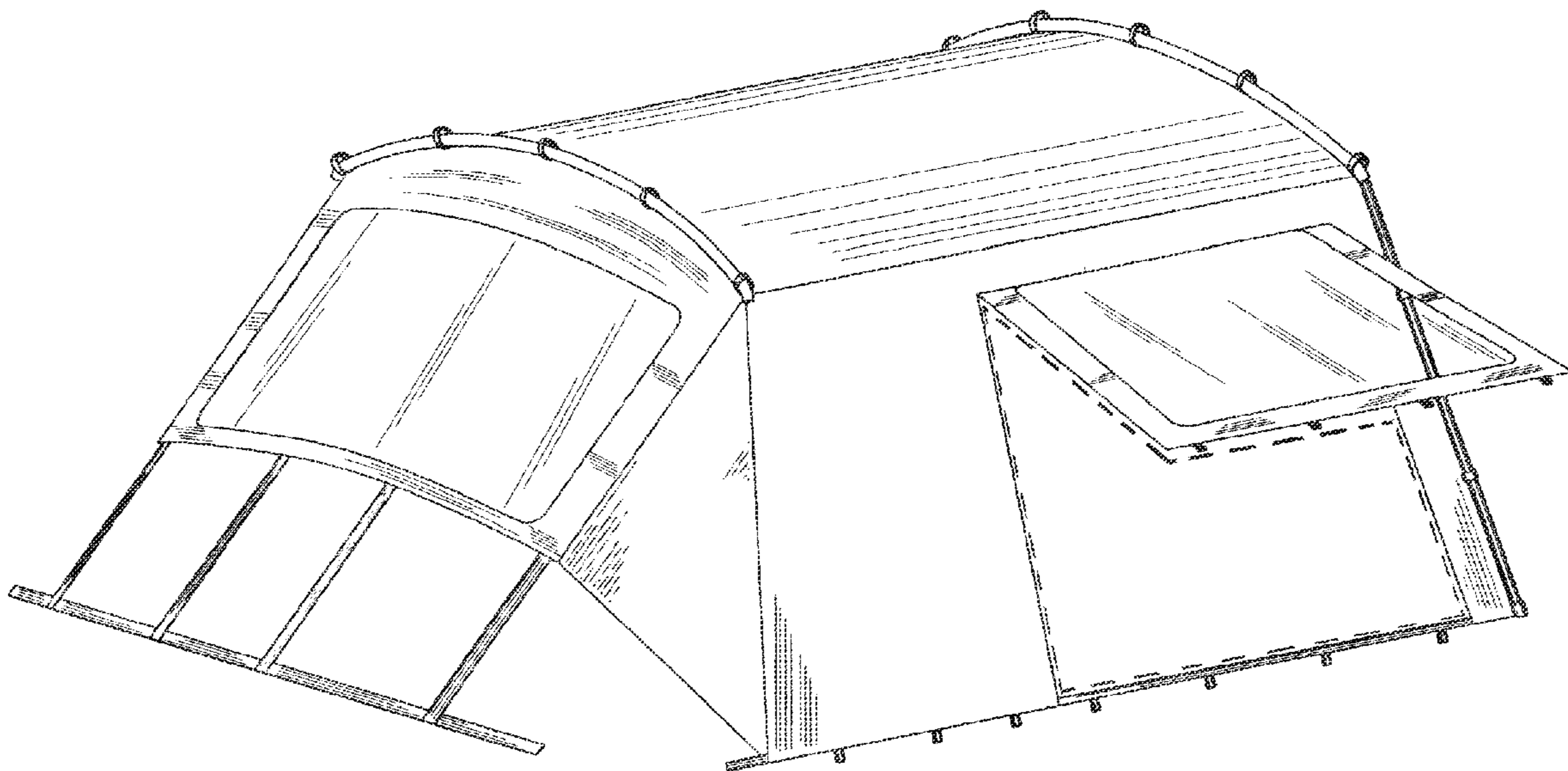
(57) **CLAIM**

The ornamental design for a canopy, as shown and described.

DESCRIPTION

FIG. 1 is a Front View of a canopy;
FIG. 2 is a Front Perspective View of the canopy with the window down;
FIG. 3 is a Front Perspective View of the canopy with the window open;
FIG. 4 is a Side View of the canopy with the window down (opposite side is a mirror image);
FIG. 5 is a Side View of the canopy with the window rolled up (opposite side is a mirror image);
FIG. 6 is a Rear View of the canopy with the opening down; and,
FIG. 7 is a Rear View of the canopy with the opening rolled up.
The dash-dot broken line in FIG. 7 represents the bounds of the claim and forms no part of the claimed design.

1 Claim, 7 Drawing Sheets



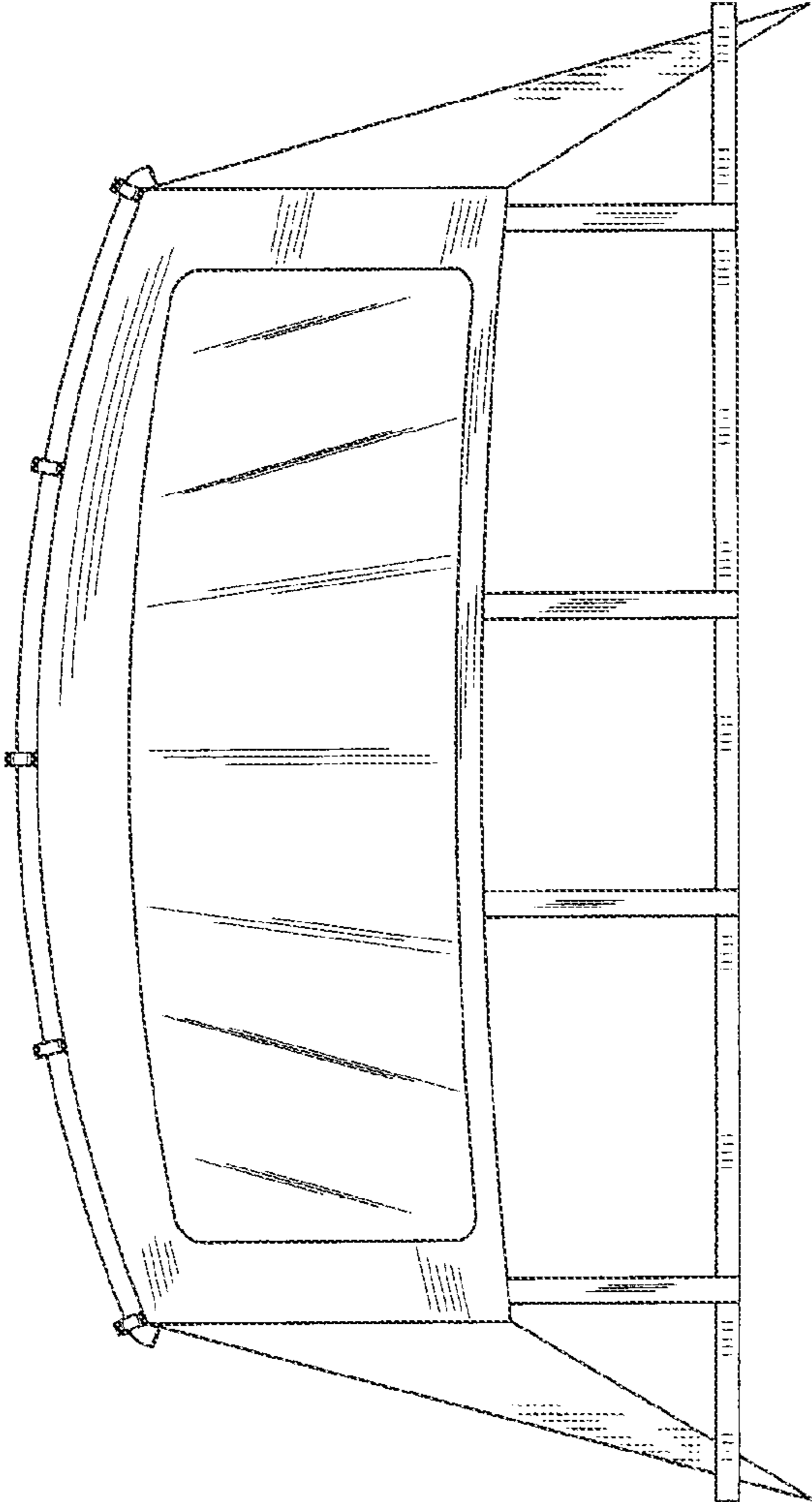


Fig. 1

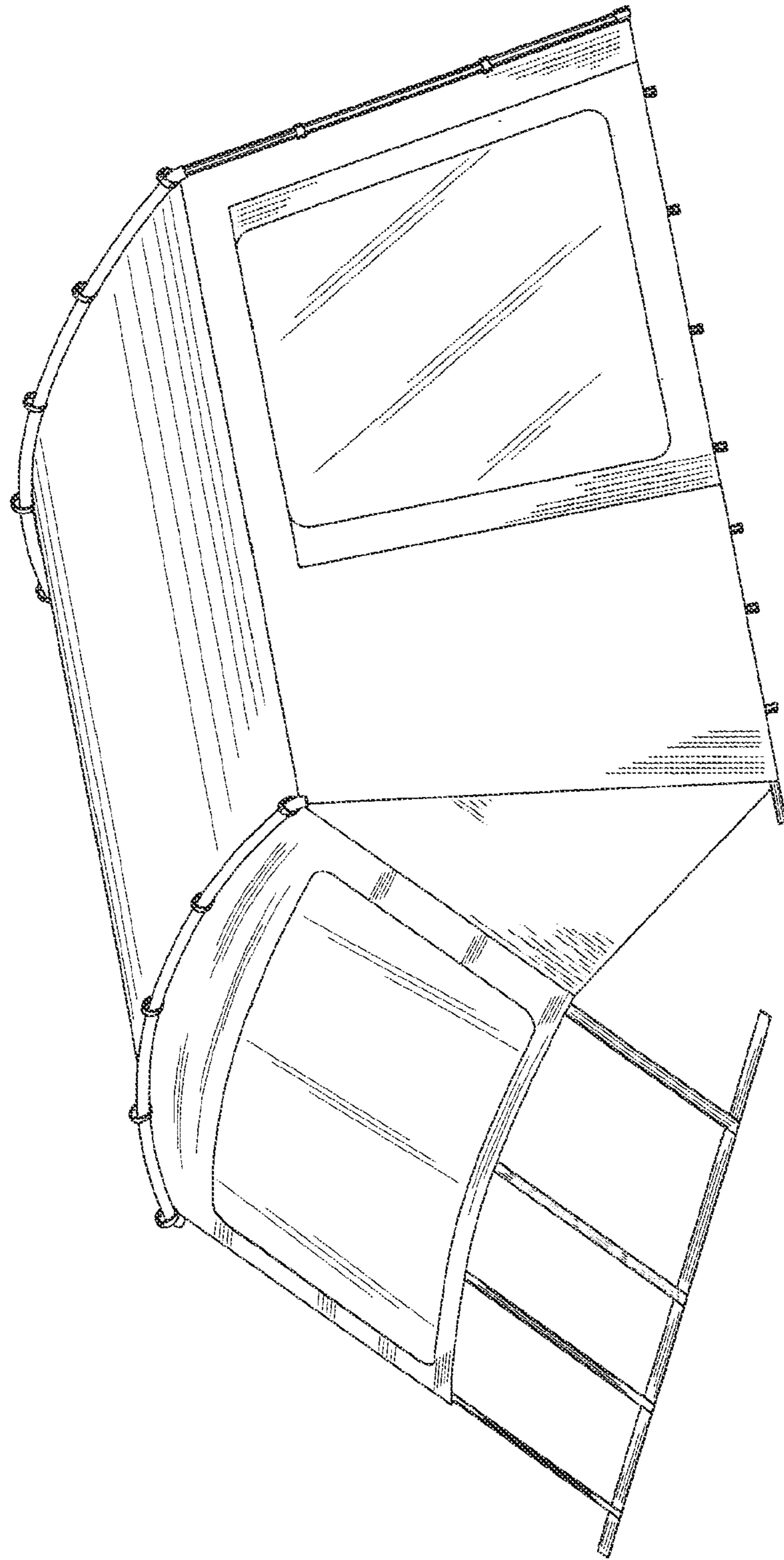


Fig. 2

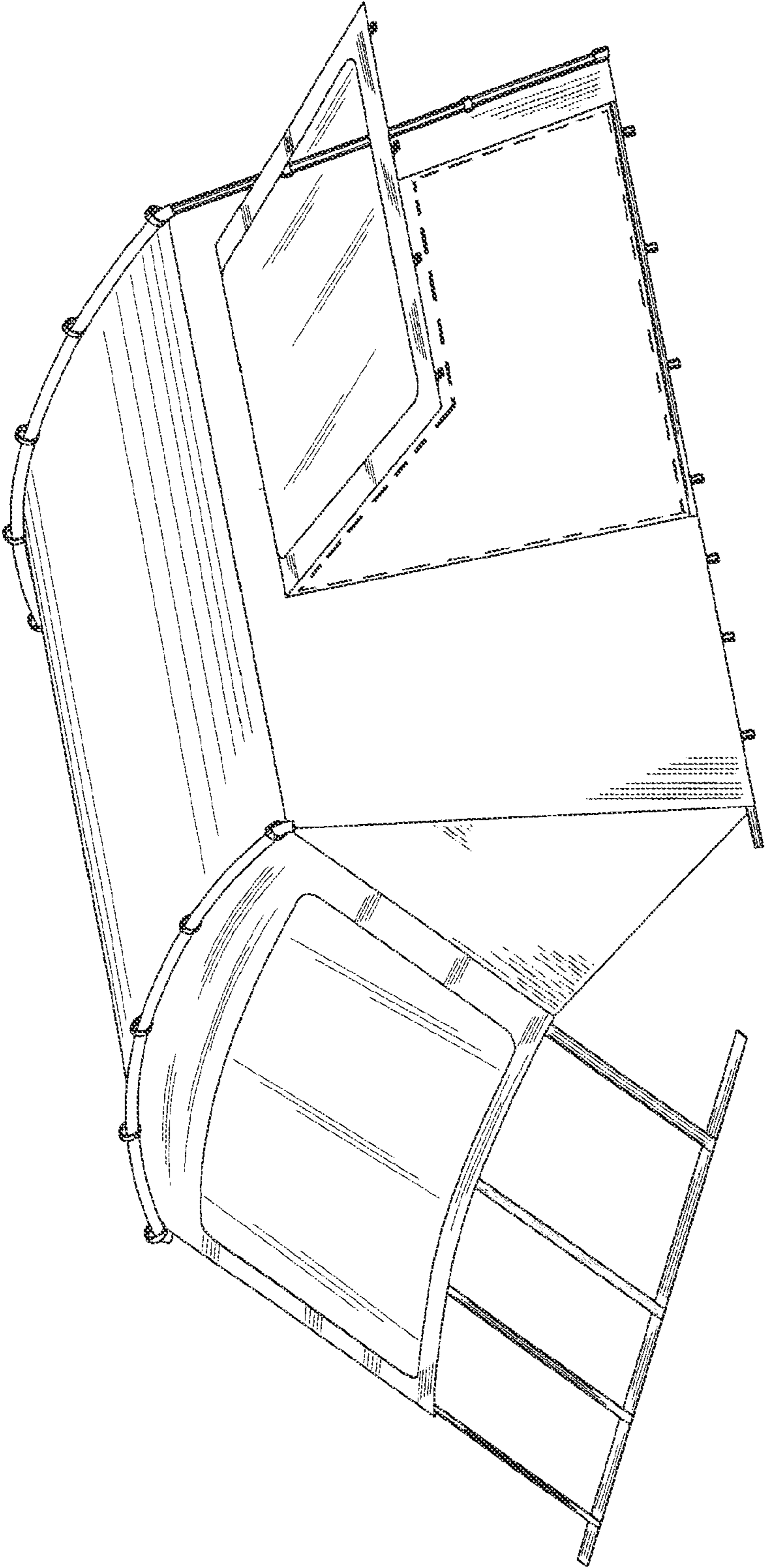


Fig. 3

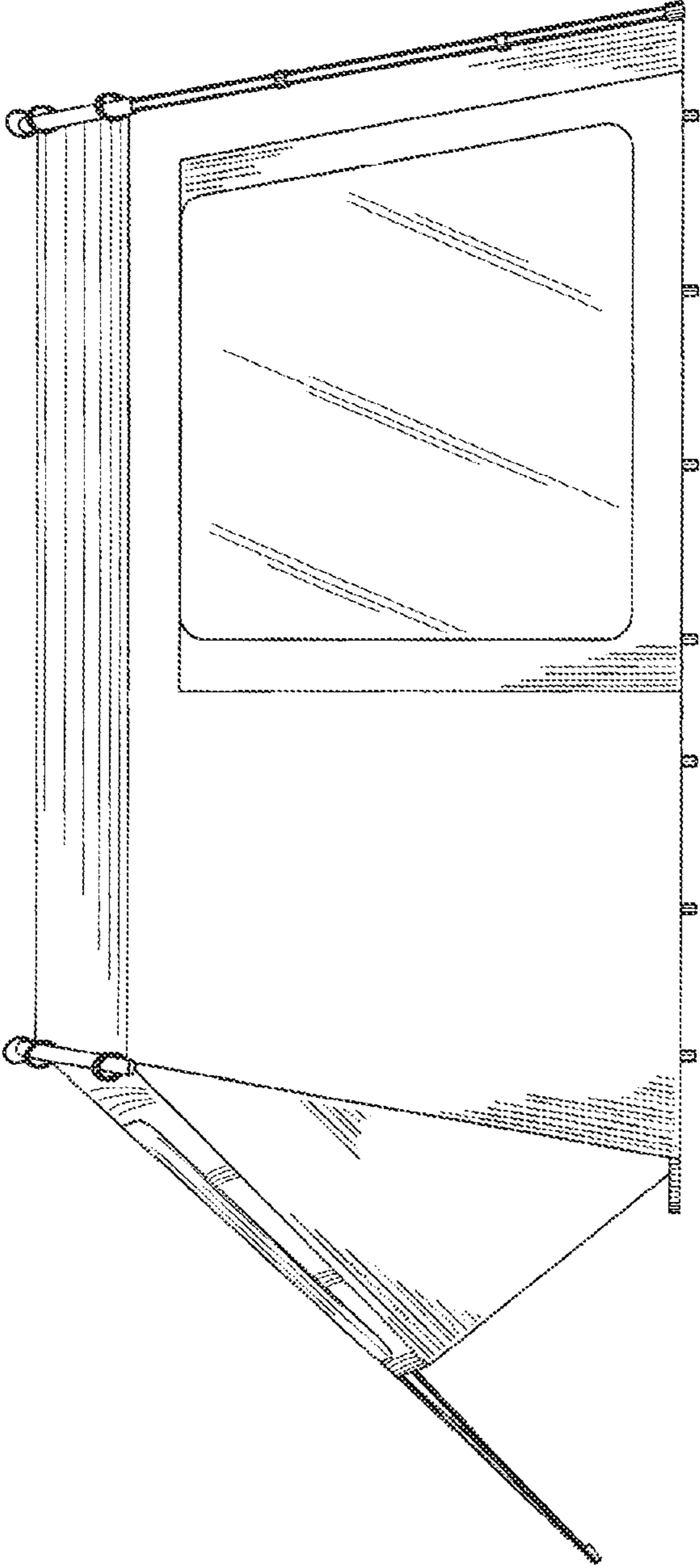


Fig. 4

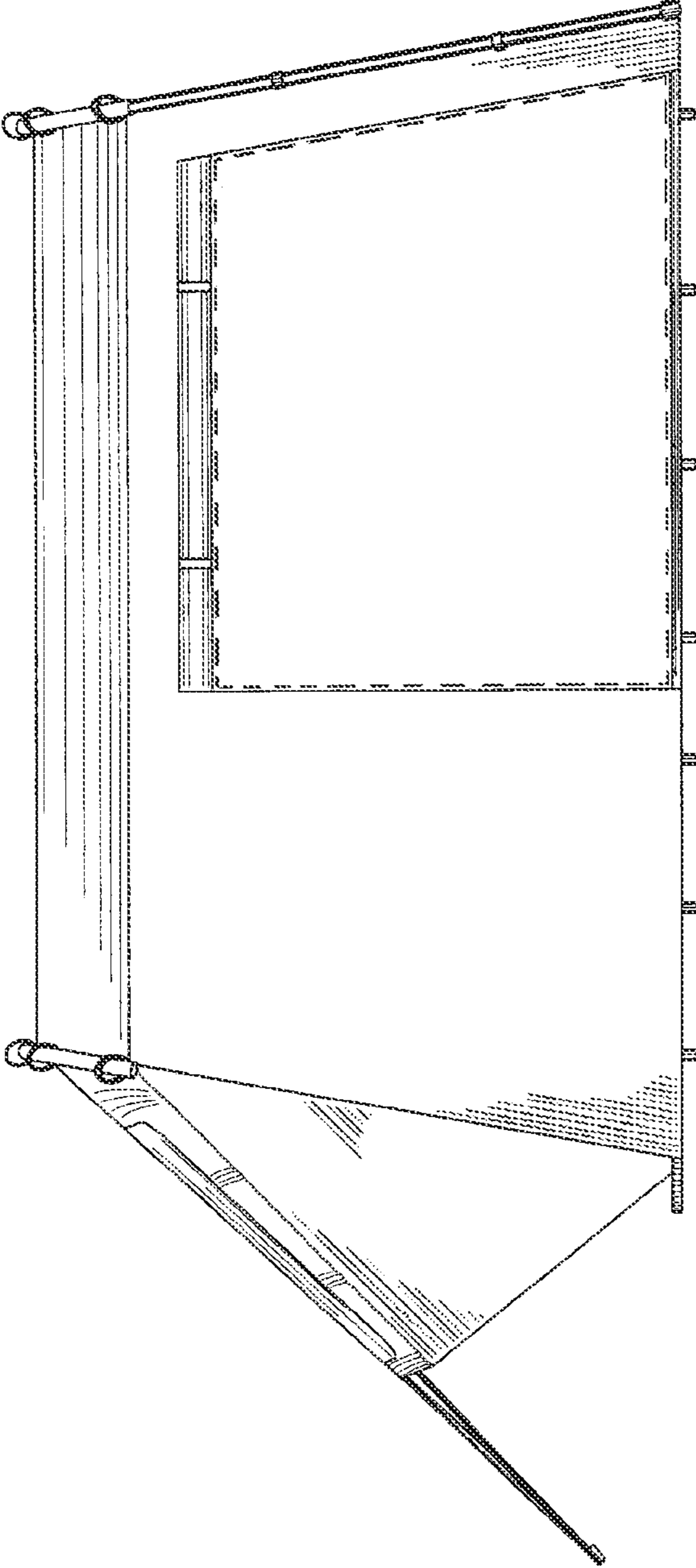


Fig. 5

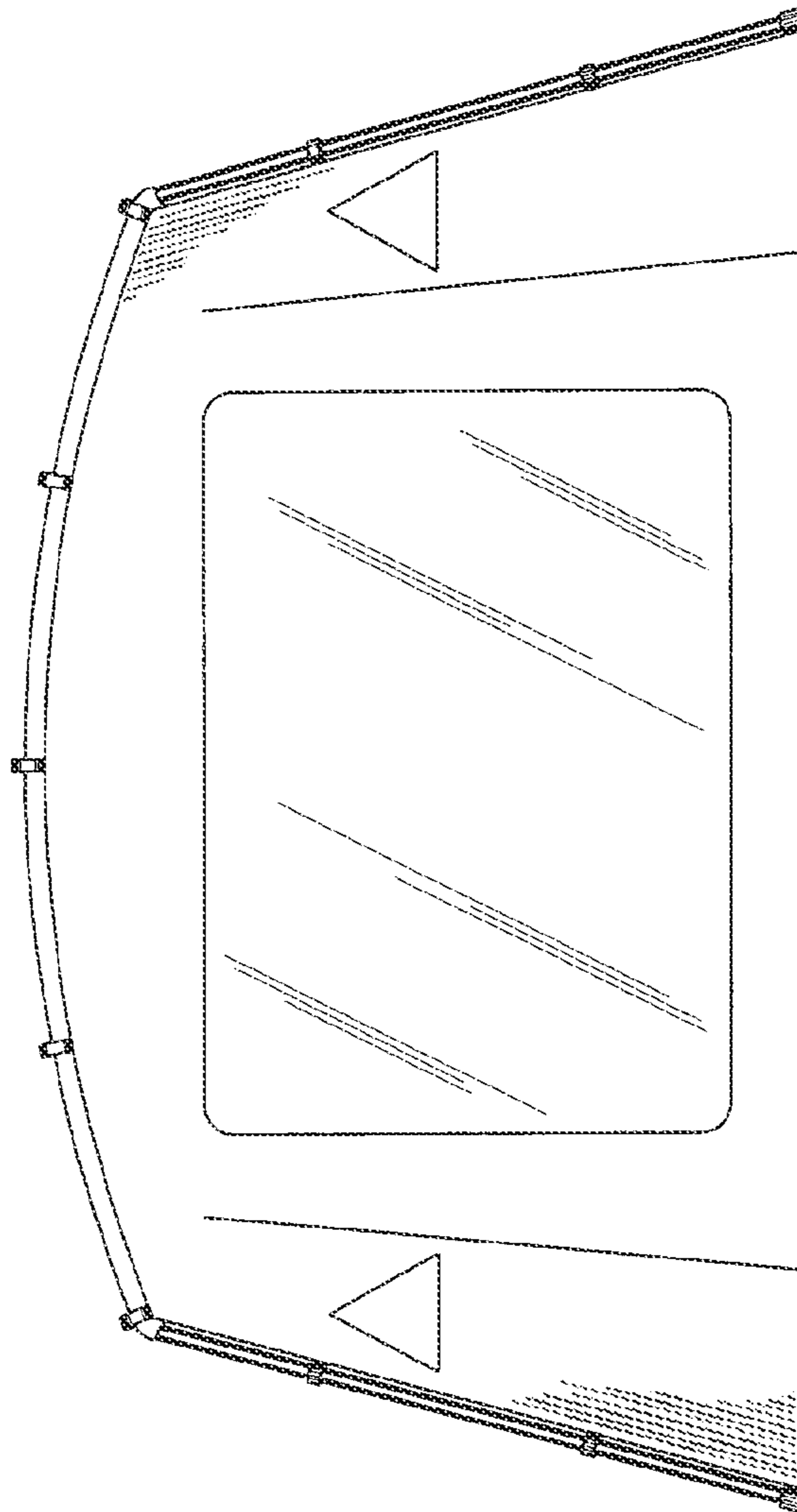


Fig. 6

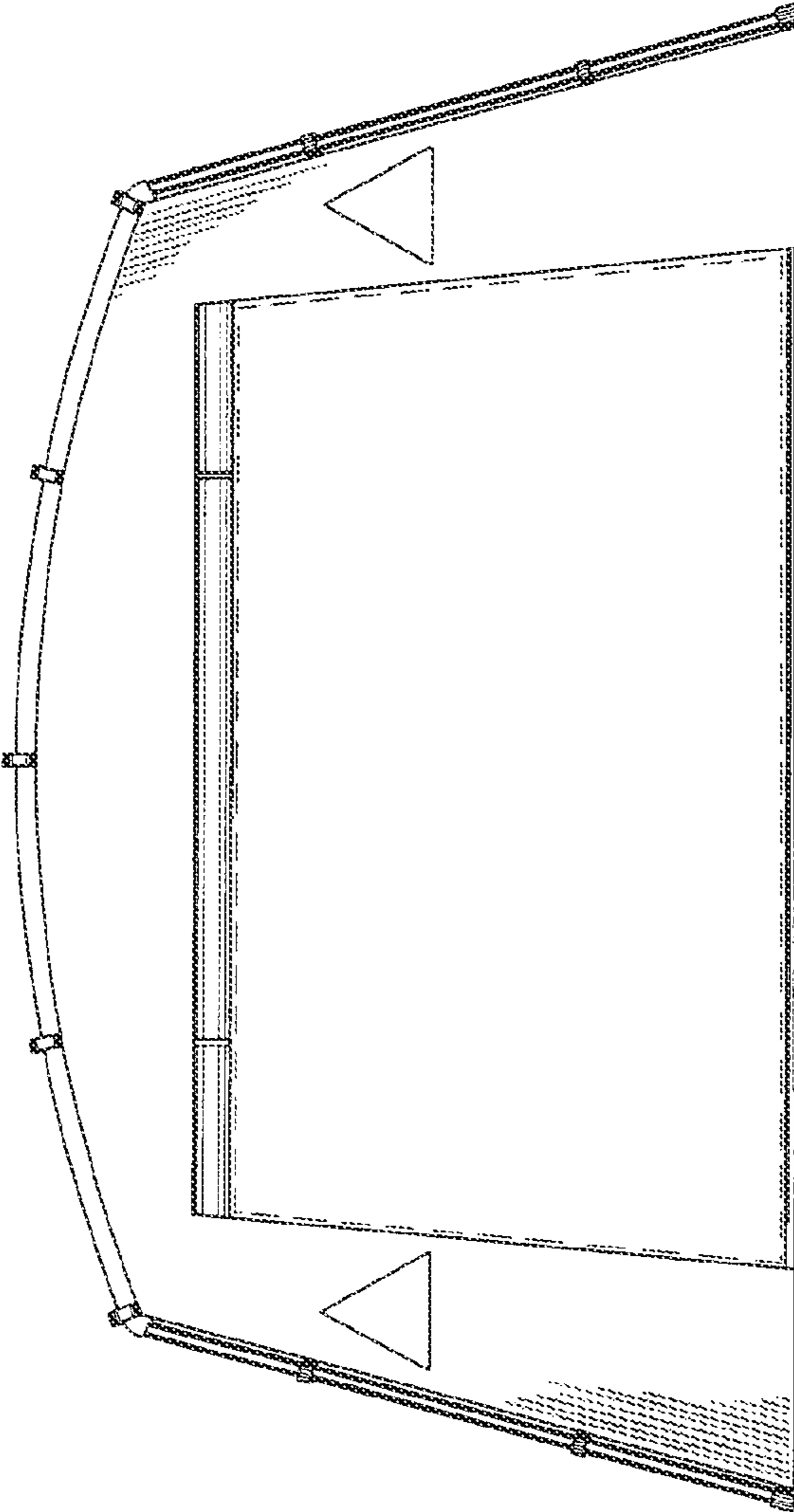


Fig. 7