



US00D686559S

(12) **United States Design Patent**
Mannerfelt et al.

(10) **Patent No.:** **US D686,559 S**

(45) **Date of Patent:** **** *Jul. 23, 2013**

(54) **POWER BOAT HAVING EXTENDABLE AND RETRACTABLE WINGS**

(76) Inventors: **Ocke Mannerfelt**, Täby (SE); **Rex Jardine**, Kelowna (CA)

(*) Notice: This patent is subject to a terminal disclaimer.

(**) Term: **14 Years**

(21) Appl. No.: **29/315,320**

(22) Filed: **Jun. 15, 2009**

(51) **LOC (9) Cl.** **12-06**

(52) **U.S. Cl.**
USPC **D12/314**

(58) **Field of Classification Search**
USPC D12/300, 305–307, 310–318; 114/56, 114/61, 67 A, 144 E, 249, 273, 292, 283, 114/343, 355, 363, 364; D21/542–544, 547
See application file for complete search history.

(56) **References Cited**

U.S. PATENT DOCUMENTS

3,648,641	A	*	3/1972	Normand, Jr.	114/123
D244,769	S	*	6/1977	Nescher	D12/314
D244,841	S	*	6/1977	Nescher	D12/312
D322,422	S	*	12/1991	Carlson	D12/300
D335,118	S	*	4/1993	Alexander	D12/314
D359,941	S	*	7/1995	Mannerfelt	D12/314
5,452,676	A	*	9/1995	Fiore	114/291
D374,852	S	*	10/1996	Mannerfelt	D12/314
D379,451	S	*	5/1997	Mannerfelt	D12/314
5,626,669	A	*	5/1997	Burg	114/67 A
D407,682	S	*	4/1999	Mannerfelt	D12/314
5,934,215	A	*	8/1999	Burg	114/67 A
D430,098	S	*	8/2000	Vuckovis	D12/314
D464,925	S	*	10/2002	Bassani Antivari	D12/300
D477,039	S	*	7/2003	Bao	D21/542

6,990,918	B2	*	1/2006	Markie	114/273
D586,719	S	*	2/2009	Morris	D12/300
2004/0237872	A1	*	12/2004	Markie	114/273

* cited by examiner

Primary Examiner — Philip S Hyder

Assistant Examiner — Cynthia M Chin

(57) **CLAIM**

The ornamental design for a power boat having extendable and retractable wings, as shown and described.

DESCRIPTION

FIG. 1 is a right side frontward elevated perspective view with wings extended of the power boat having extendable and retractable wings.

FIG. 2 is a right side frontward elevated perspective view, with wings retracted, thereof;

FIG. 3 is a left side rearward elevated perspective view, with wings extended, thereof;

FIG. 4 is a left side rearward elevated perspective view, with wings retracted, thereof;

FIG. 5 is a plan view, with wings extended, thereof;

FIG. 6 is a plan view, with wings retracted, thereof;

FIG. 7 is a left side elevation view with wings extended, thereof;

FIG. 8 is a left side elevation view with wings retracted, thereof;

FIG. 9 is an enlarged front elevation view with wings extended, thereof;

FIG. 10 is an enlarged front elevation view with wings extended, thereof;

FIG. 11 is an enlarged rear elevation view with wings extended, thereof; and,

FIG. 12 is an enlarged rear elevation view with wings extended, thereof.

1 Claim, 12 Drawing Sheets

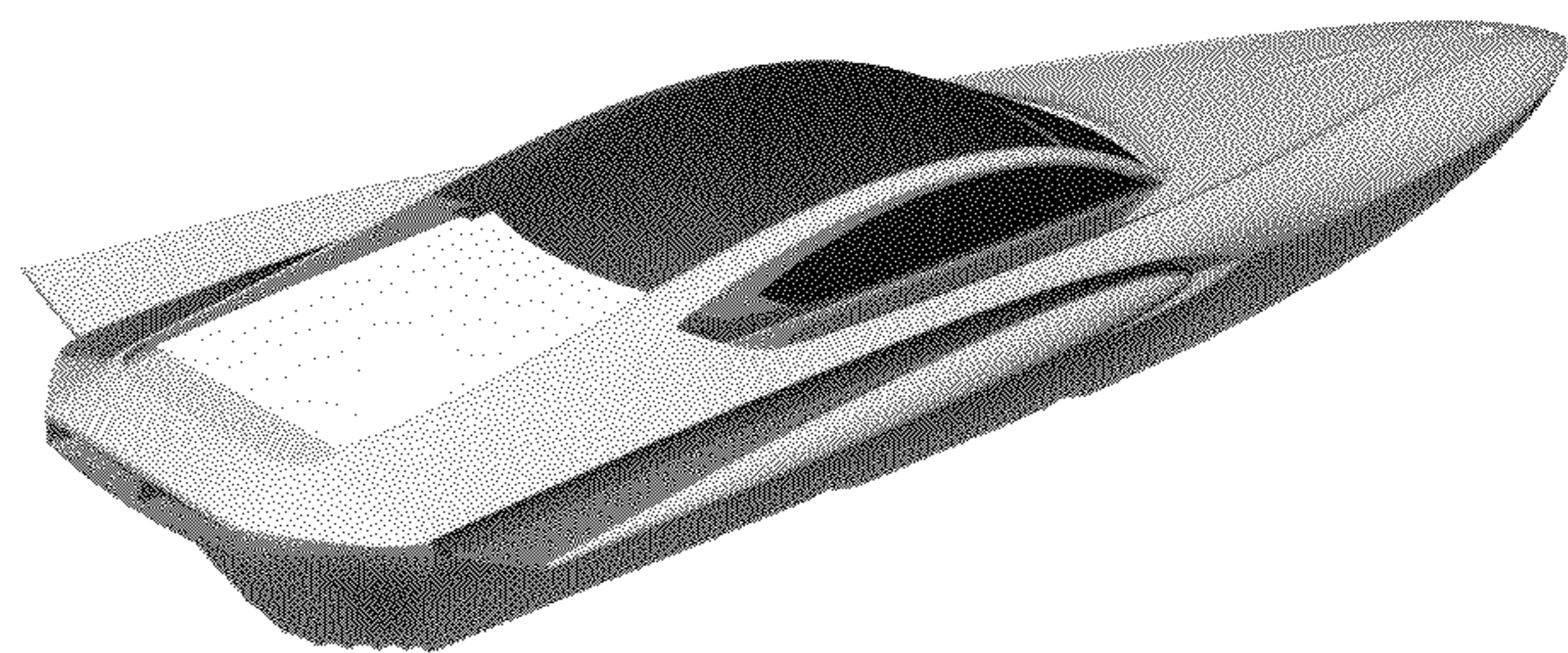
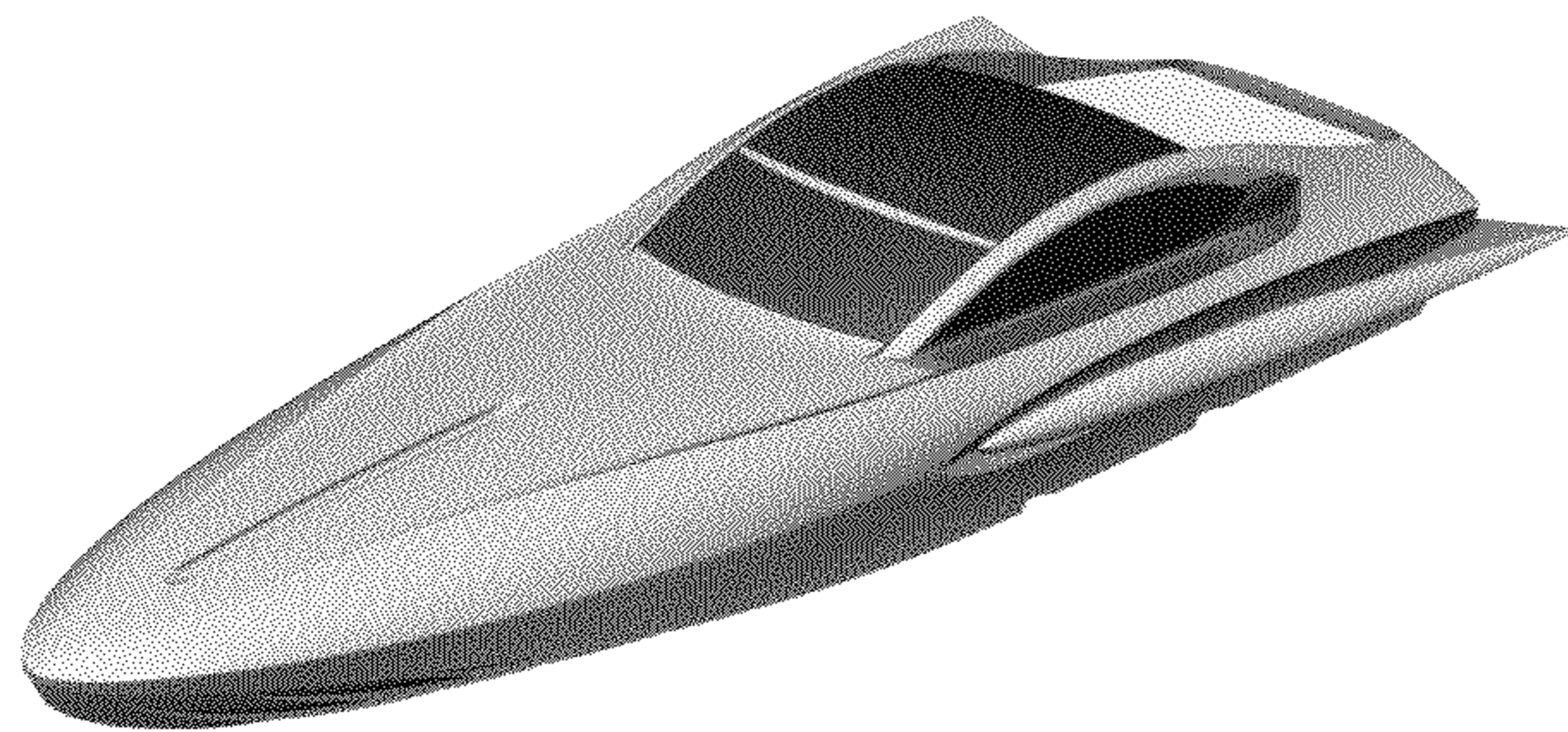
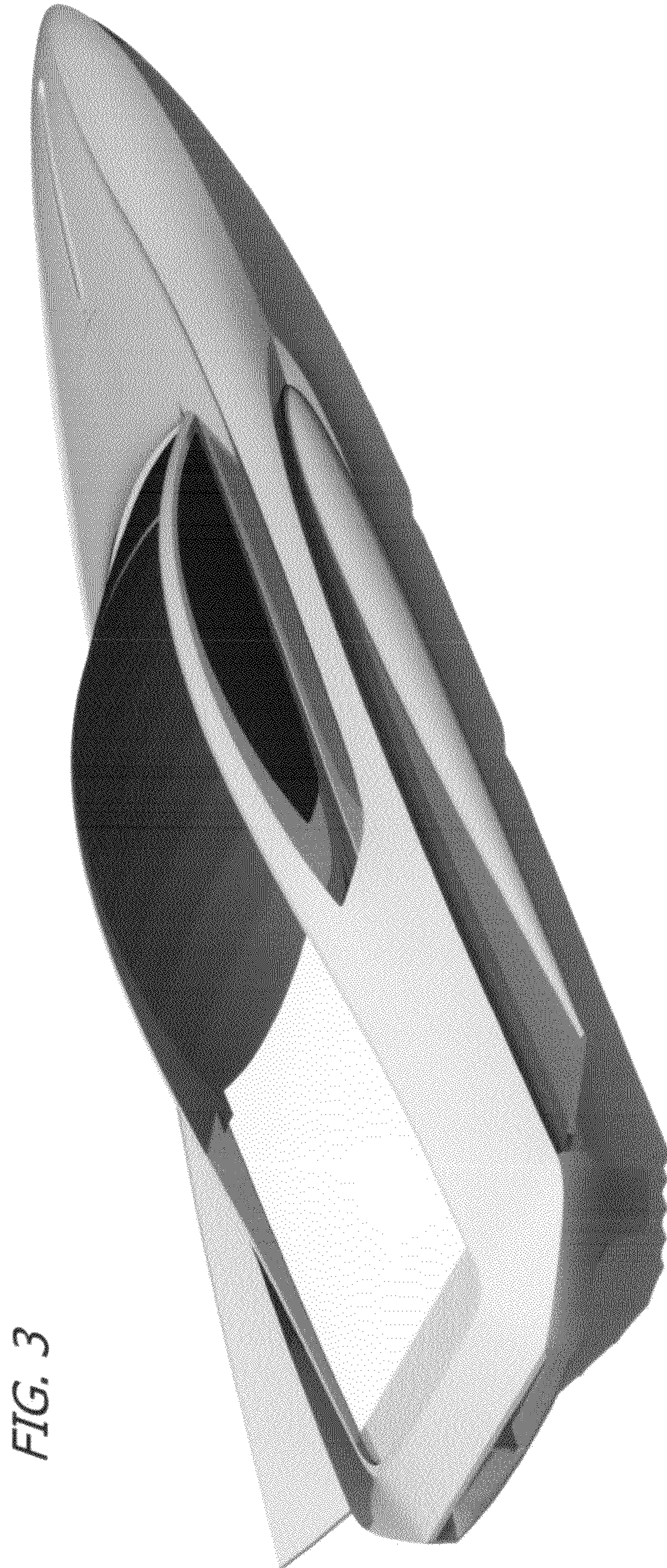




FIG. 1



FIG. 2



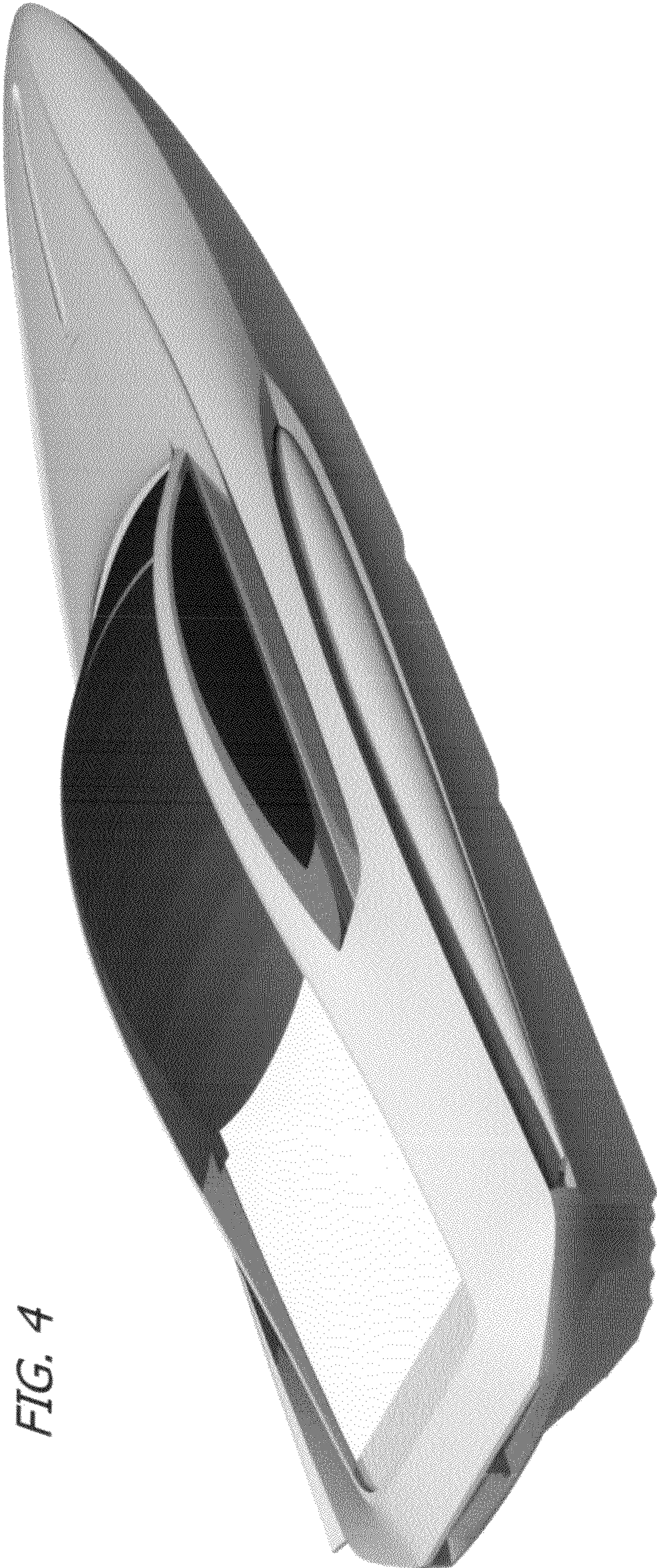
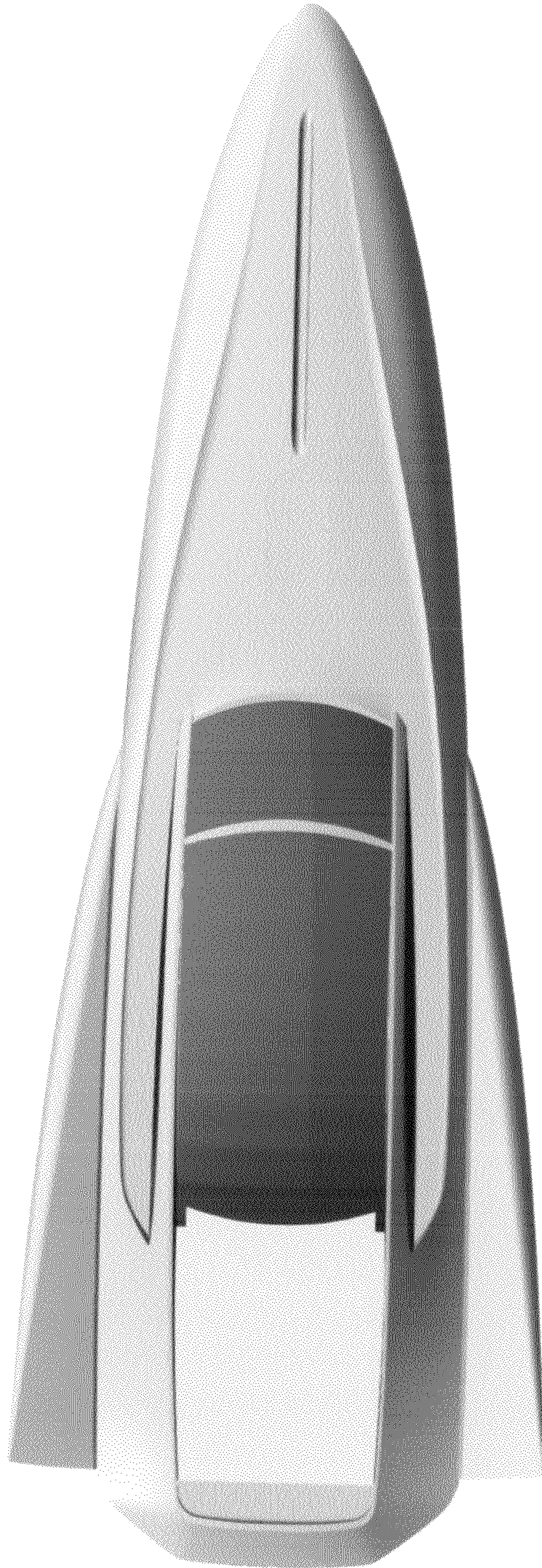


FIG. 4

FIG. 5



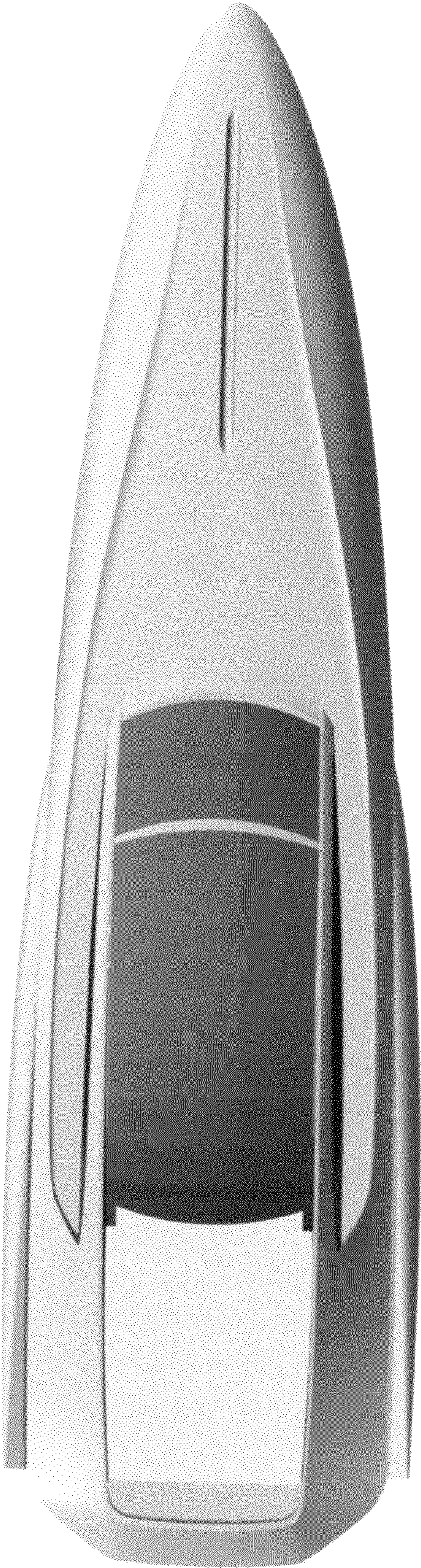


FIG. 6

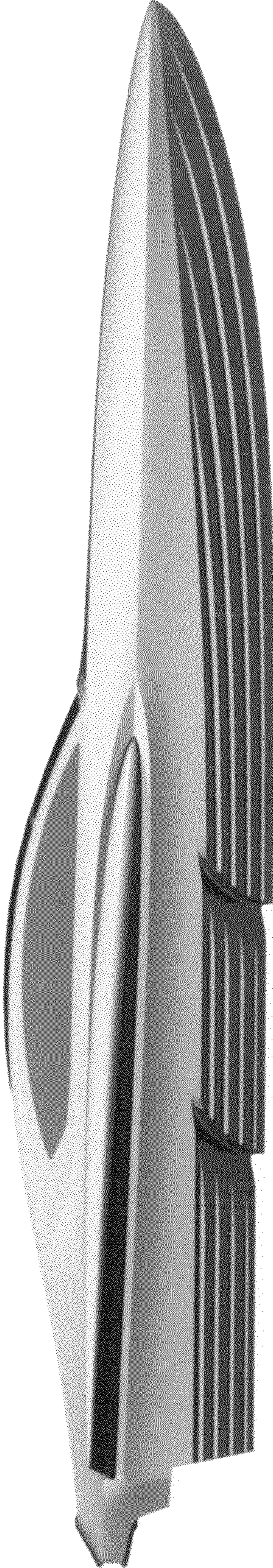


FIG. 7

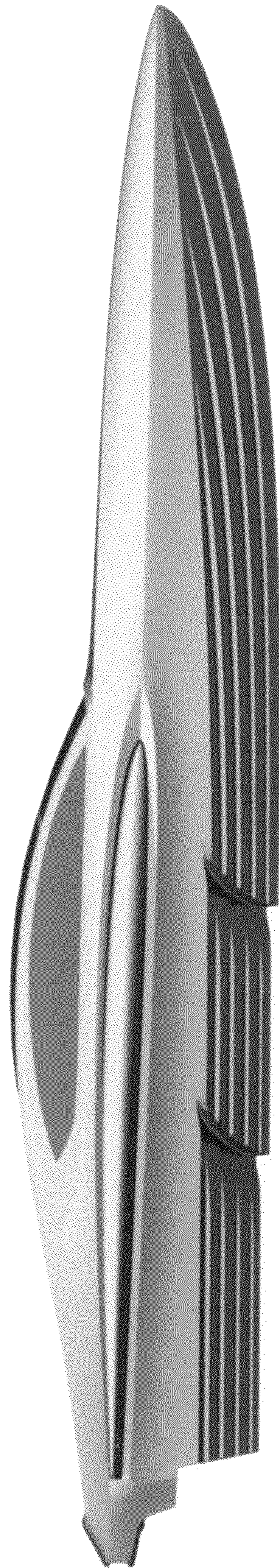


FIG. 8

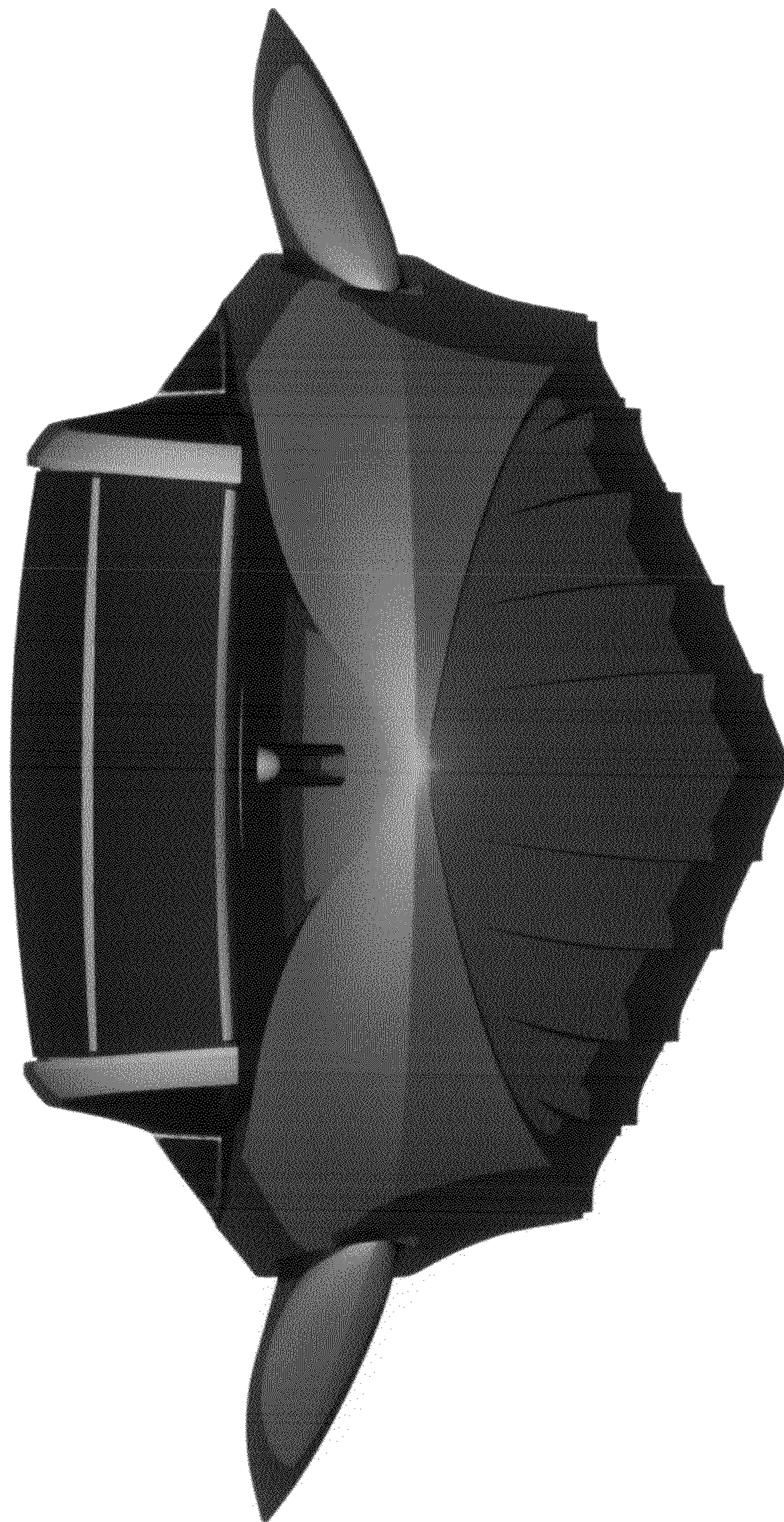


FIG. 9

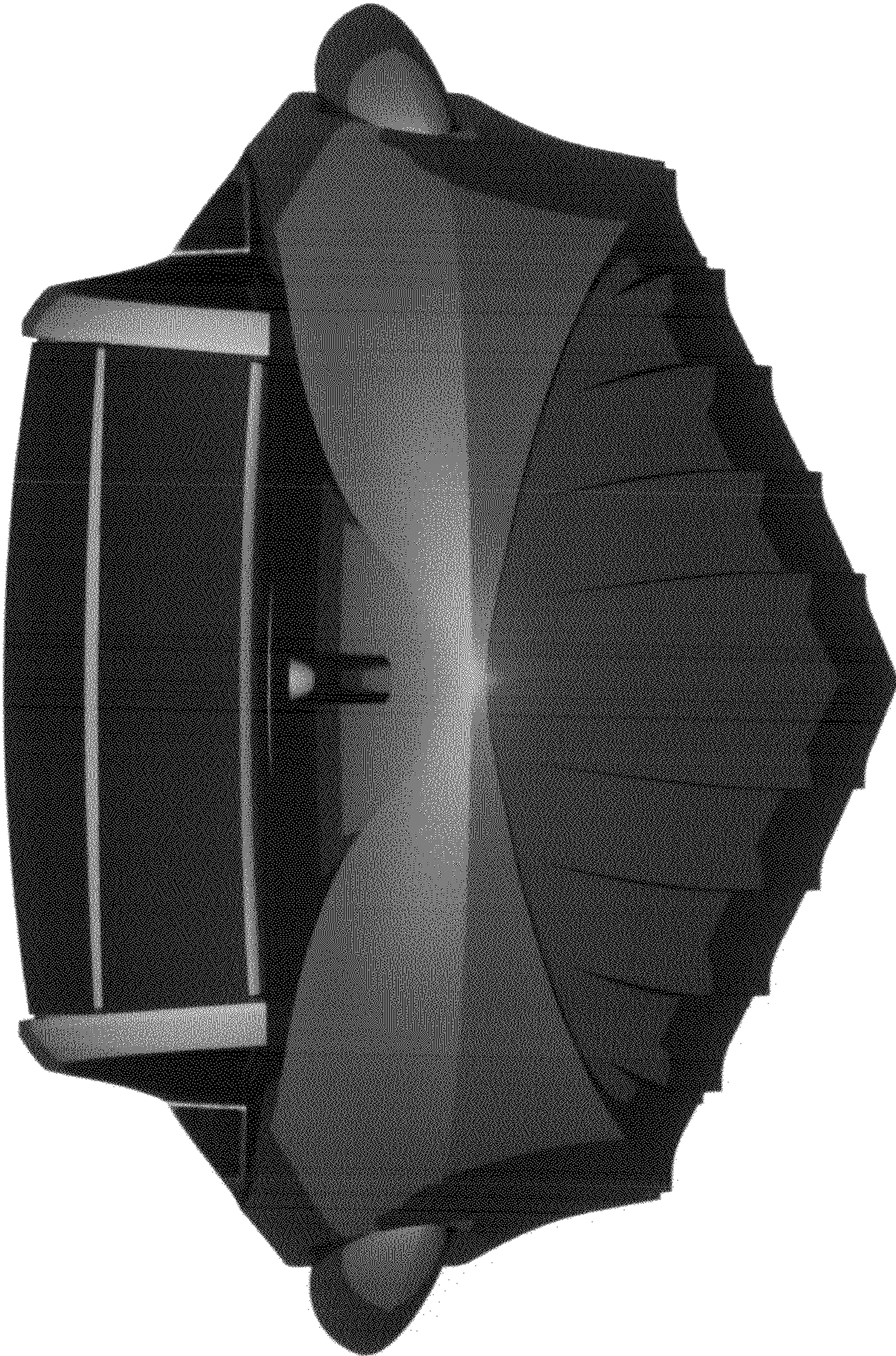


FIG. 10

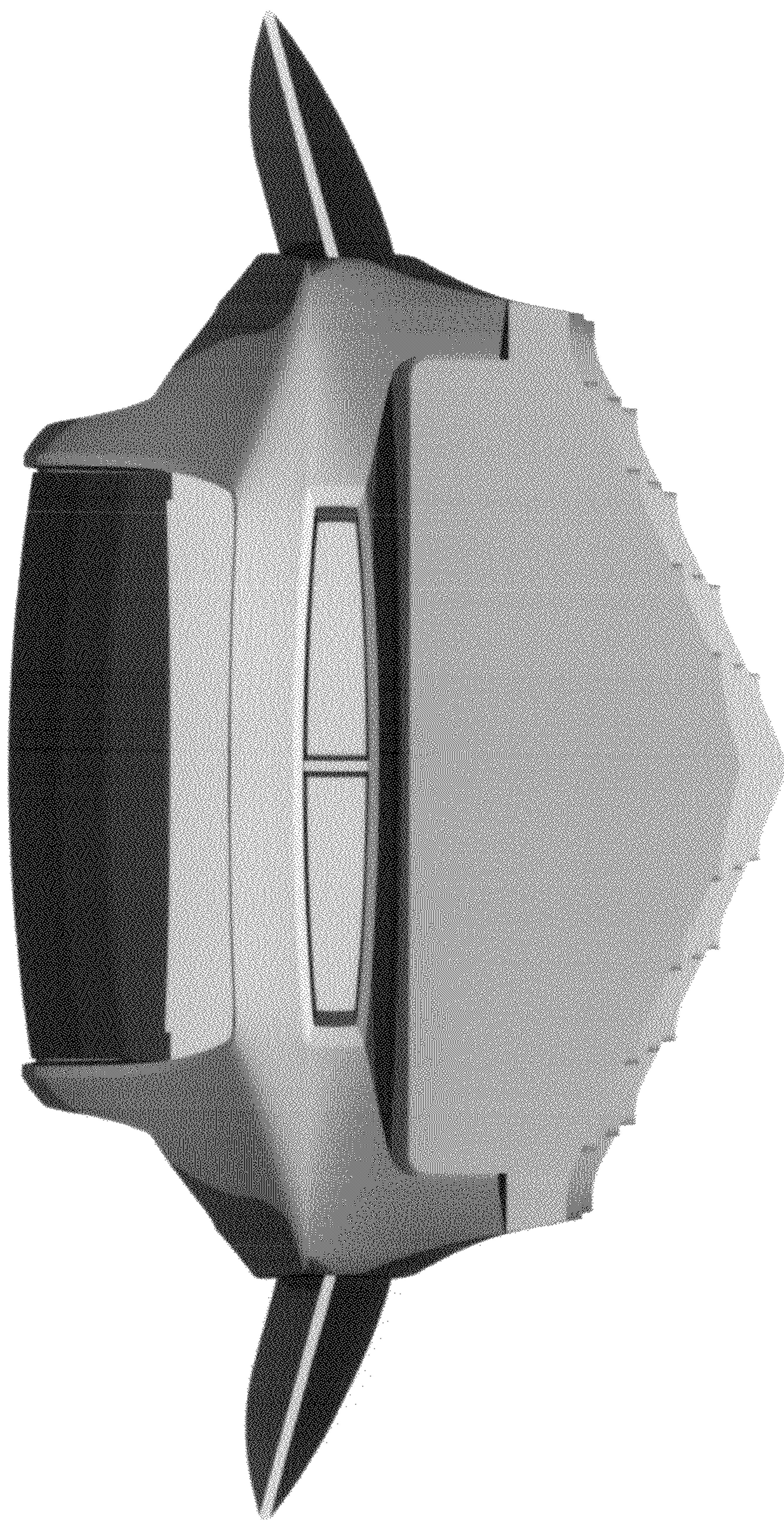


FIG. 11

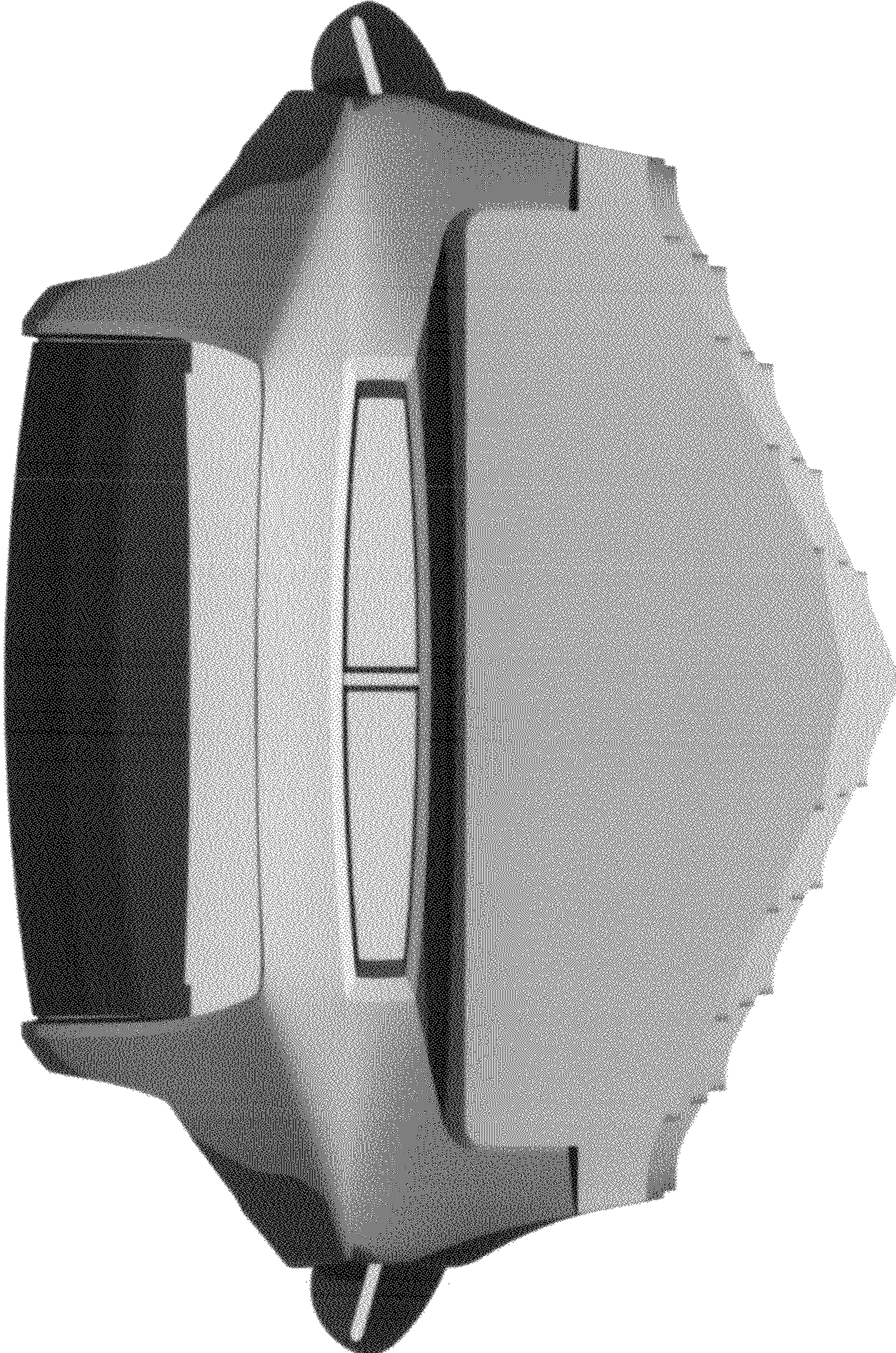


FIG. 12