



US00D686557S

(12) **United States Design Patent**
Kwon

(10) **Patent No.:** **US D686,557 S**
(45) **Date of Patent:** **** Jul. 23, 2013**

(54) **WINDSCREEN WIPER**

(75) Inventor: **oh-jong Kwon**, Gyeongbuk (KR)

(73) Assignee: **CAP Corporation**, Daegu (KR)

(**) Term: **14 Years**

(21) Appl. No.: **29/418,763**

(22) Filed: **Apr. 20, 2012**

(30) **Foreign Application Priority Data**

Oct. 21, 2011 (KR) 30-2011-0044027

(51) **LOC (9) Cl.** **12-06**

(52) **U.S. Cl.**

USPC **D12/219**

(58) **Field of Classification Search**

USPC D12/219-220; 15/246, 247, 250.001,
15/250.4, 250.361, 250.19, 250.48, 250.03,
15/250.31-250.33, 250.351, 250.38, 250.201,
15/250.451, 250.458, 250.04, 250.07, 250.44

See application file for complete search history.

(56) **References Cited**

U.S. PATENT DOCUMENTS

D379,613	S	*	6/1997	Chen	D12/219
D382,848	S	*	8/1997	Chen	D12/219
2008/0083082	A1	*	4/2008	Rovaart et al.	15/250.32
2011/0162161	A1	*	7/2011	Amado	15/250.361
2011/0277266	A1	*	11/2011	Umeno	15/250.32

* cited by examiner

Primary Examiner — Katrina A Betton

(74) *Attorney, Agent, or Firm* — Grossman Tucker Perreault & Pflieger, PLLC

(57) **CLAIM**

The ornamental design for a windscreen wiper, as shown and described.

DESCRIPTION

FIG. 1 is a perspective view of a windscreen wiper.

FIG. 2 is a front view thereof.

FIG. 3 is a rear view thereof.

FIG. 4 is a left side view thereof.

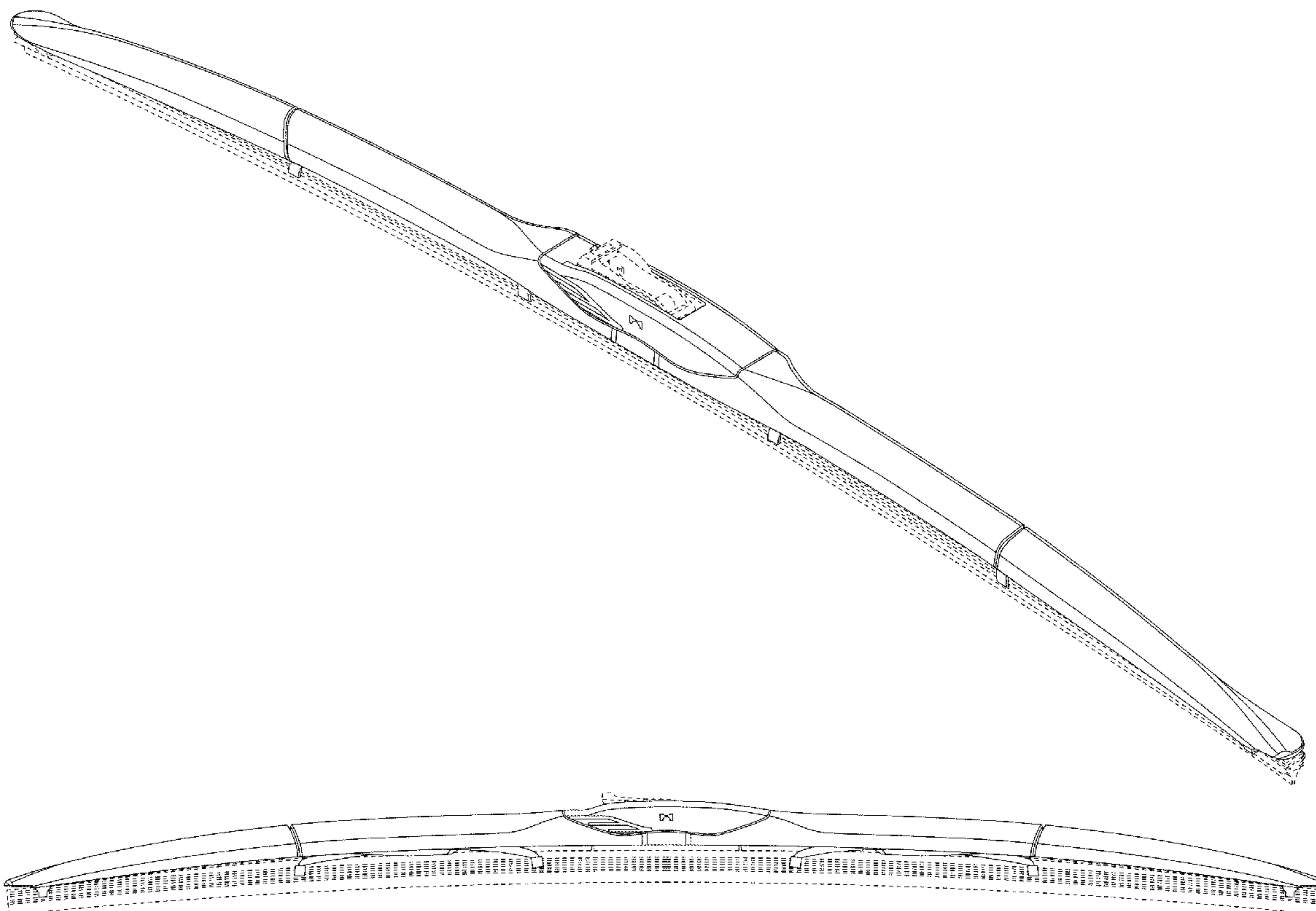
FIG. 5 is a right side view thereof.

FIG. 6 is a top plan view thereof; and,

FIG. 7 is a bottom plan view thereof.

The broken lines in the figures illustrate portions of the design that form no part of the claim.

1 Claim, 4 Drawing Sheets



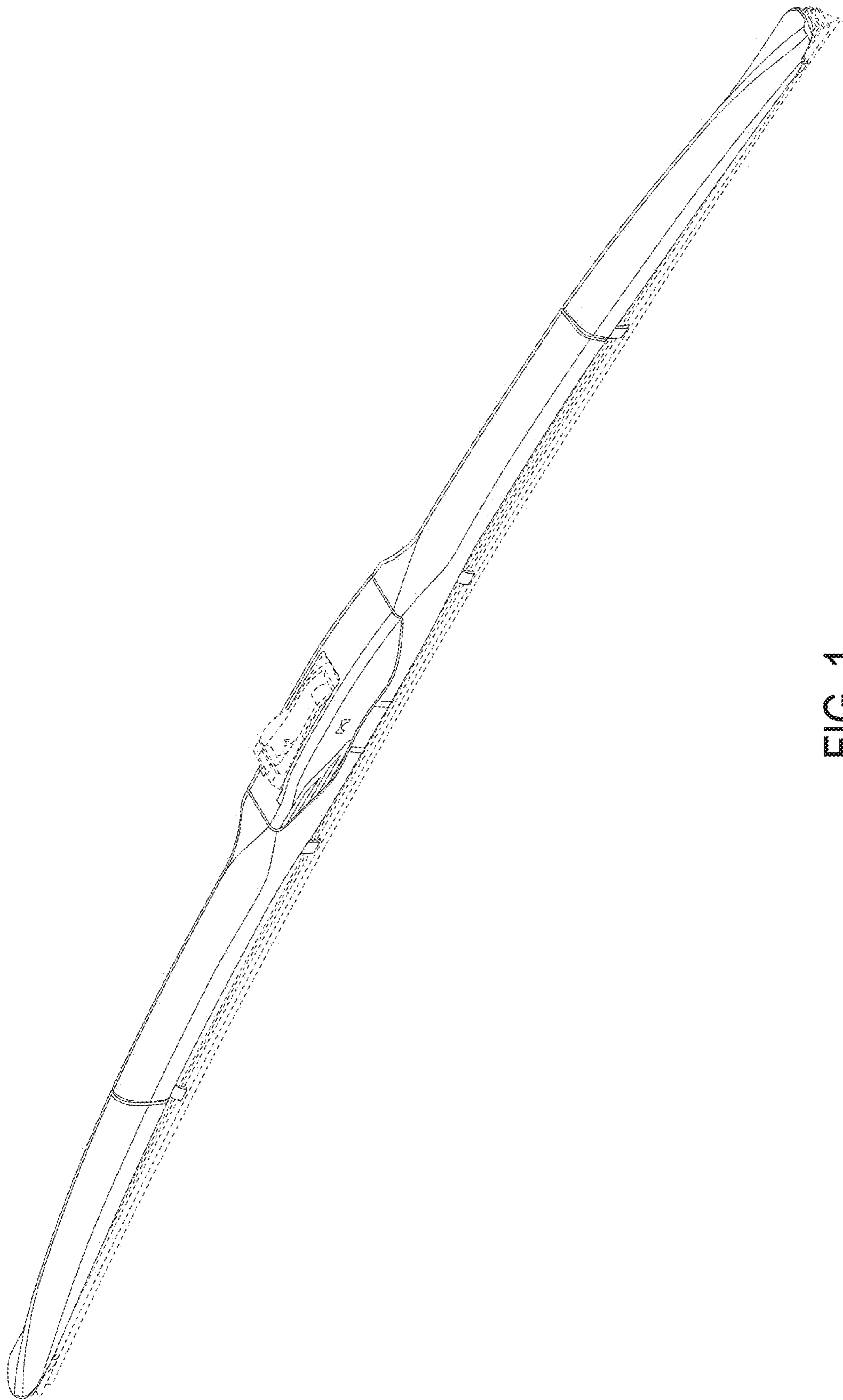


FIG. 1

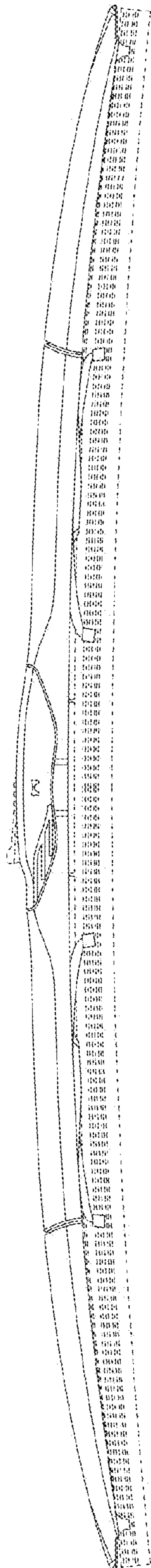


FIG. 2

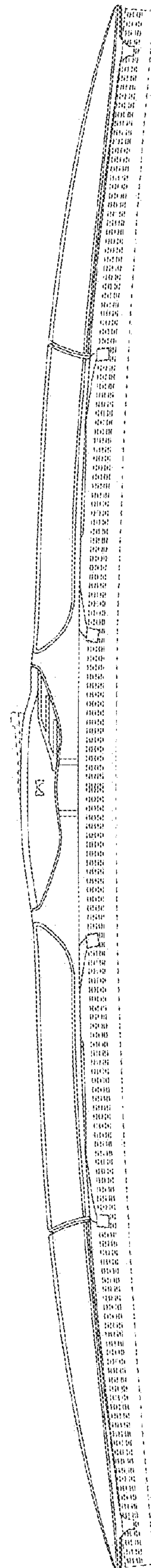


FIG. 3

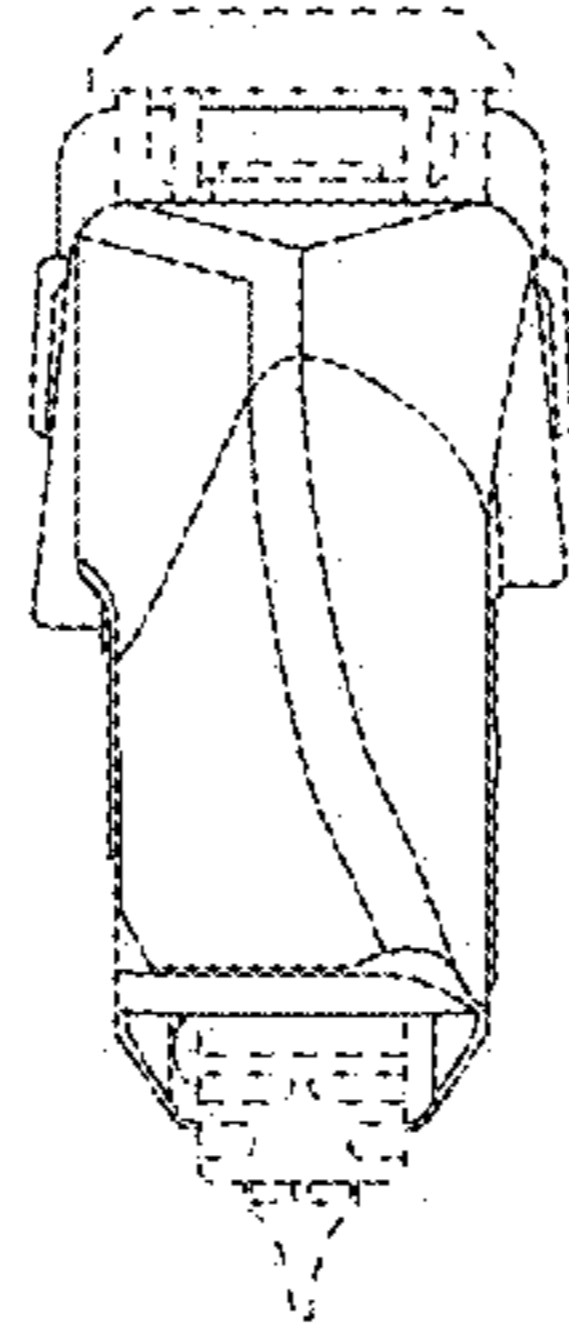


FIG. 4

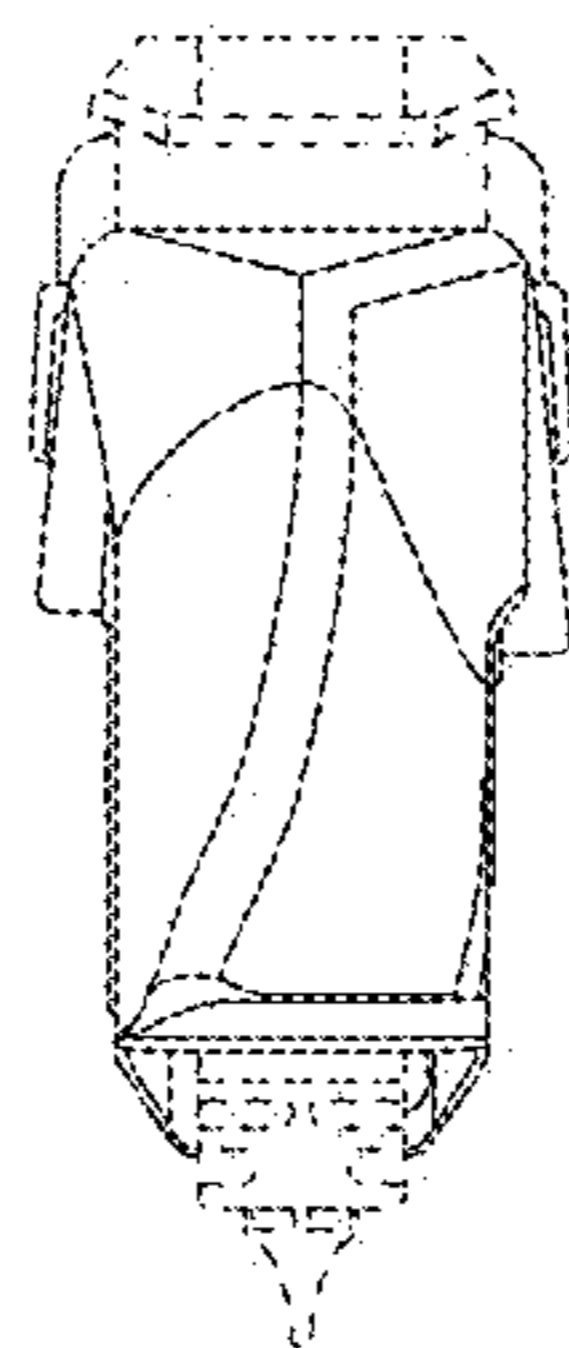


FIG. 5



FIG. 6

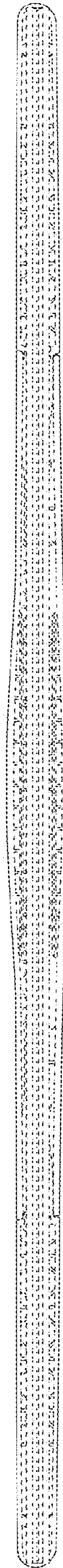


FIG. 7