



US00D68655S

(12) **United States Design Patent**
Song et al.

(10) **Patent No.:** **US D686,555 S**

(45) **Date of Patent:** **** Jul. 23, 2013**

(54) **WINDSCREEN WIPER**

(75) Inventors: **Kyoung Joon Song**, Daegu (KR);
Kyung Min Kim, Daegu (KR)

(73) Assignee: **CAP Corporation**, Daegu (KR)

(**) Term: **14 Years**

(21) Appl. No.: **29/418,756**

(22) Filed: **Apr. 20, 2012**

(51) **LOC (9) Cl.** **12-06**

(52) **U.S. Cl.**
USPC **D12/219**

(58) **Field of Classification Search**
USPC D12/219–220; 15/246, 247, 250.001,
15/250.4, 250.361, 250.19, 250.48, 250.03,
15/250.31–250.33, 250.351, 250.38, 250.201,
15/250.451, 250.458, 250.04, 250.07, 250.44
See application file for complete search history.

(56) **References Cited**

U.S. PATENT DOCUMENTS

D379,613 S * 6/1997 Chen D12/219
D382,848 S * 8/1997 Chen D12/219

2008/0083082 A1* 4/2008 Rovaart et al. 15/250.32
2011/0162161 A1* 7/2011 Amado 15/250.361
2011/0277266 A1* 11/2011 Umeno 15/250.32

* cited by examiner

Primary Examiner — Katrina A Betton

(74) *Attorney, Agent, or Firm* — Grossman Tucker Perreault
& Pflieger, PLLC

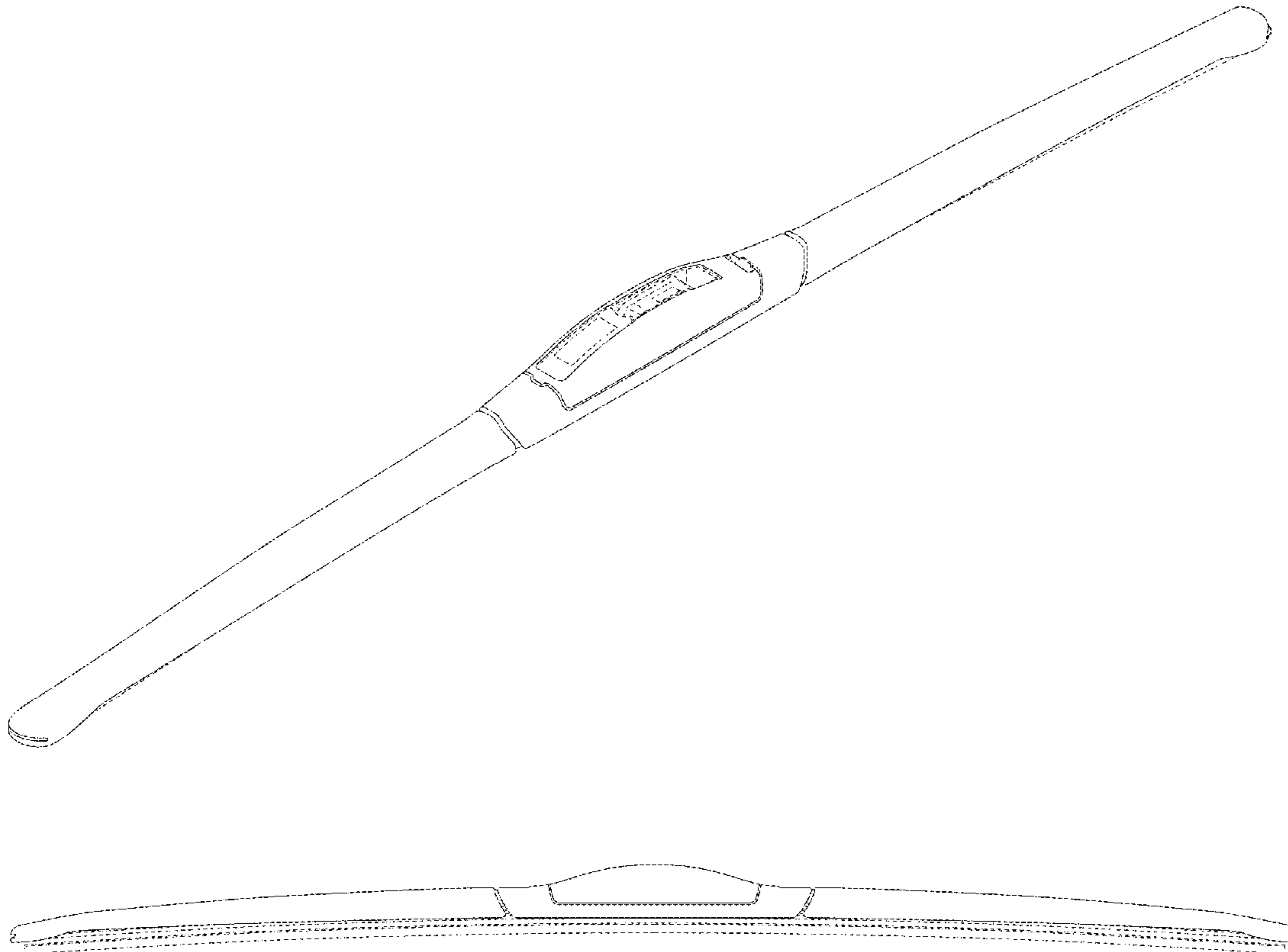
(57) **CLAIM**

The ornamental design for a windscreen wiper, as shown and described.

DESCRIPTION

FIG. 1 is a perspective view of a windscreen wiper.
FIG. 2 is a left side view thereof.
FIG. 3 is a right side view thereof.
FIG. 4 is a front view thereof.
FIG. 5 is a rear view thereof.
FIG. 6 is a top plan view thereof; and,
FIG. 7 is a bottom plan view thereof.
The broken lines in the figures illustrate portions of the design that form no part of the claim.

1 Claim, 4 Drawing Sheets



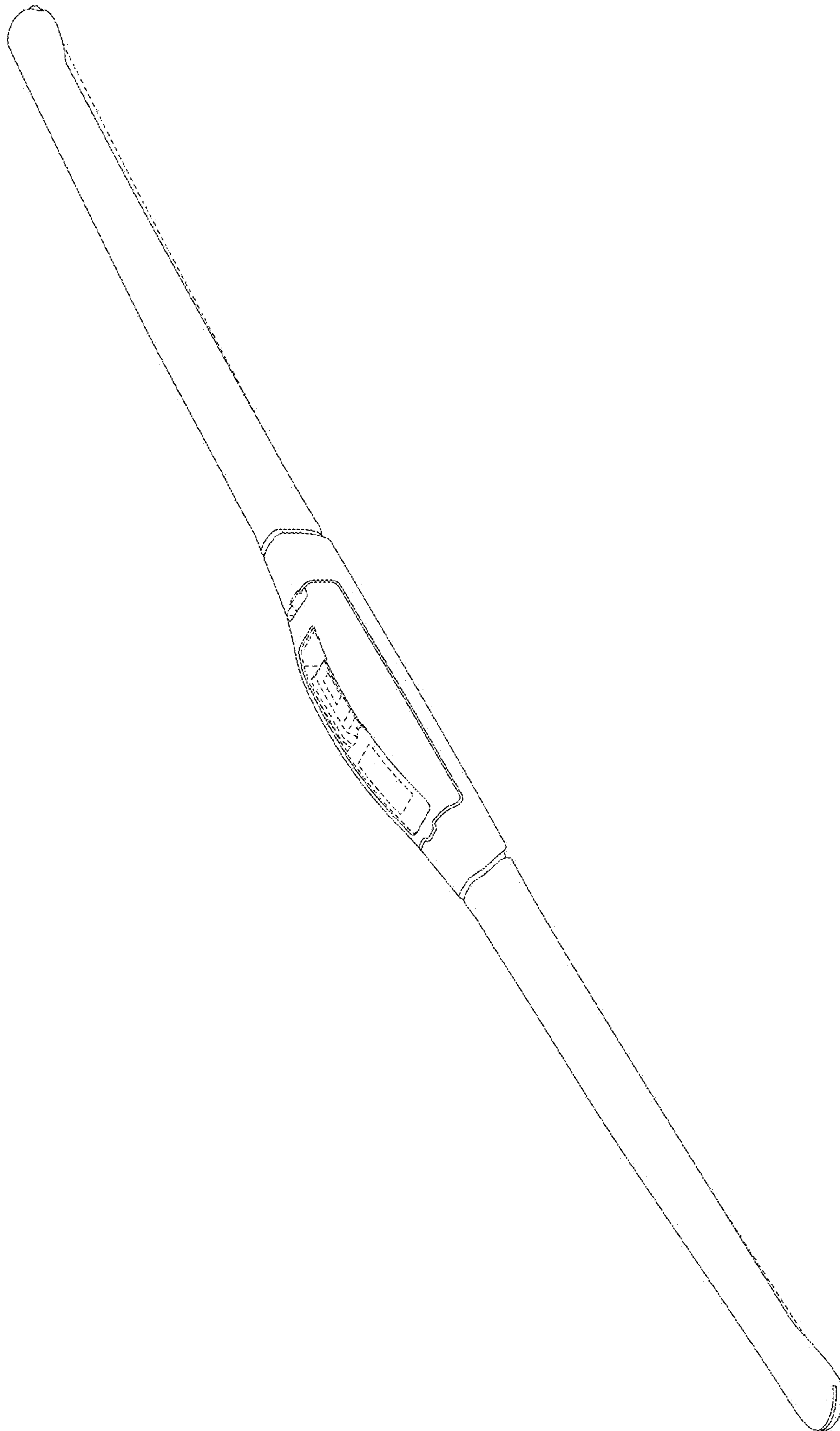


FIG. 1

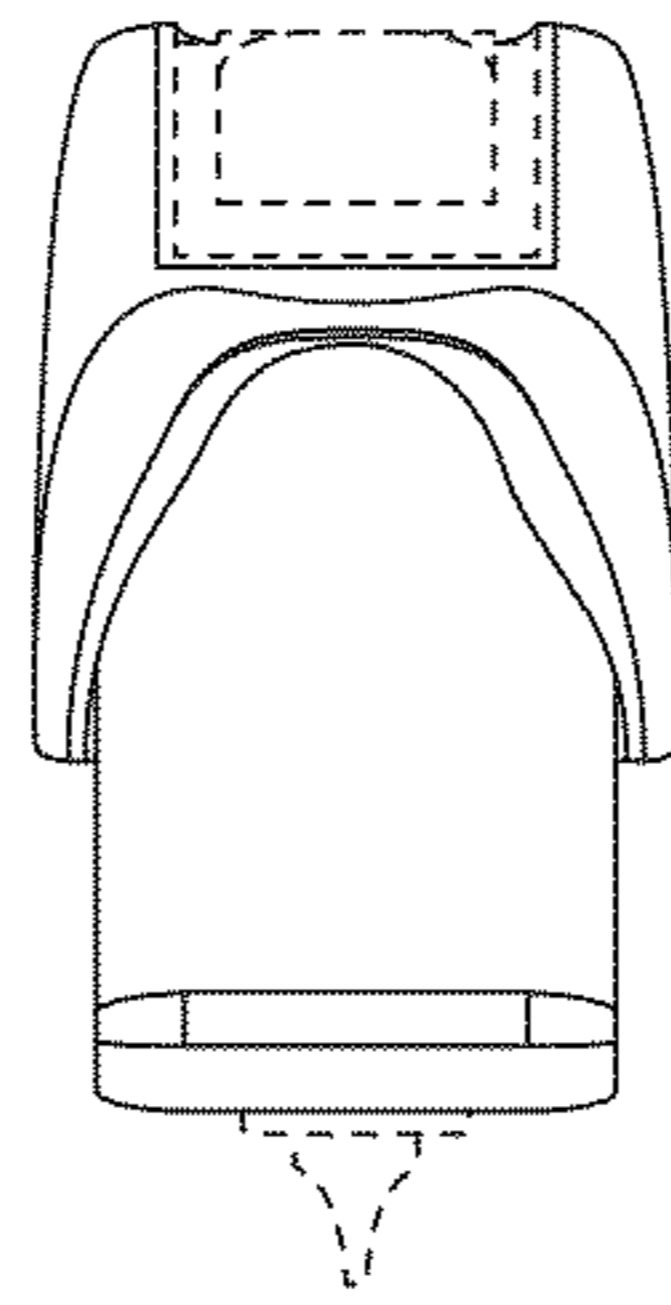


FIG. 2

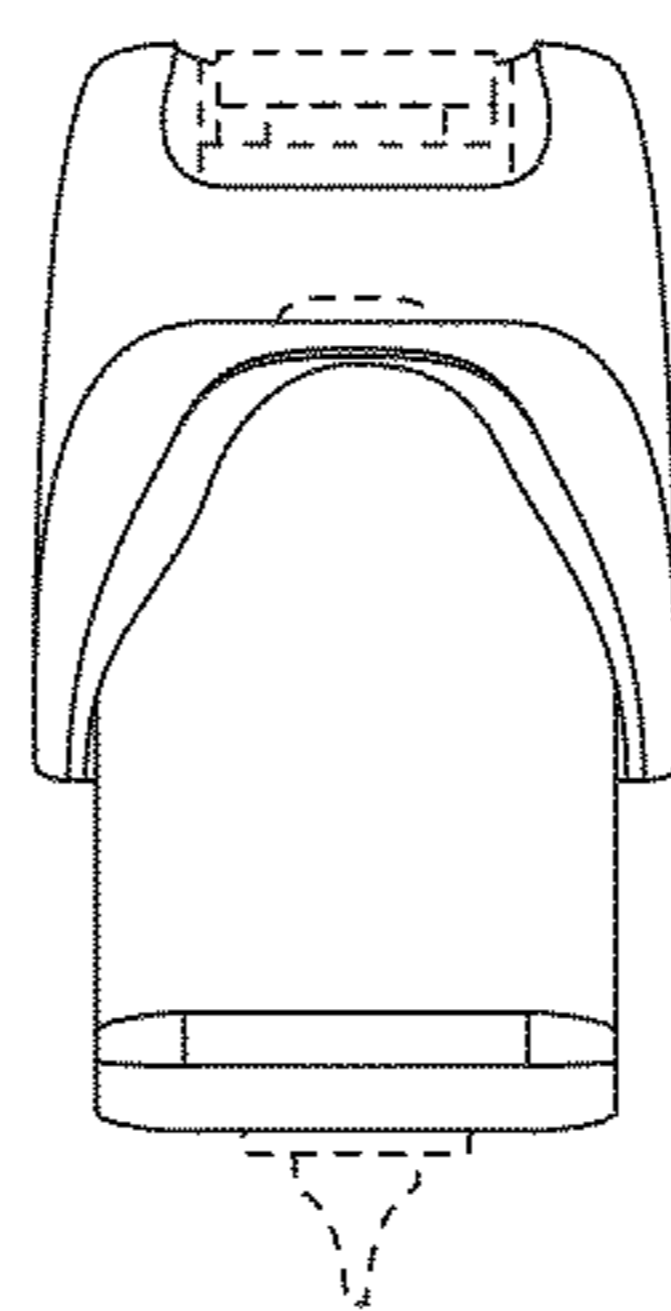


FIG. 3

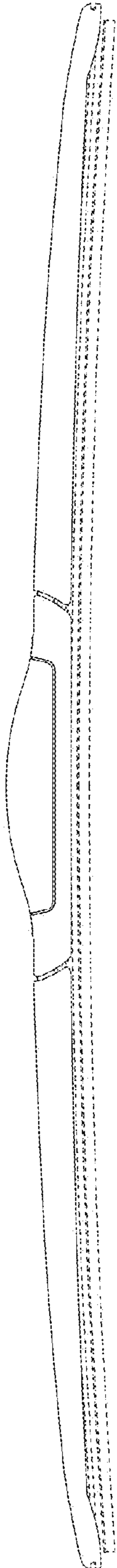


FIG. 4

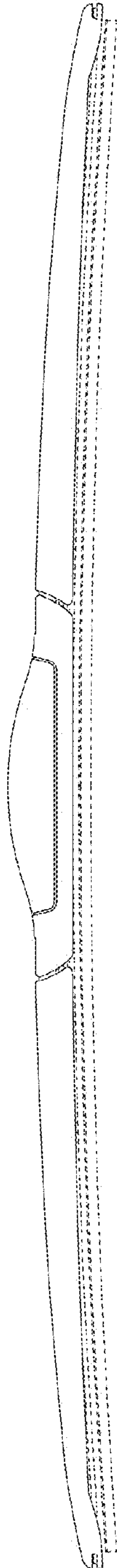


FIG. 5

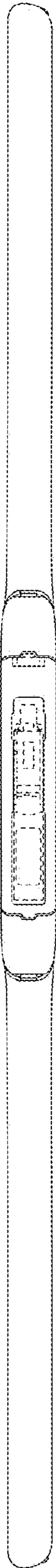


FIG. 6

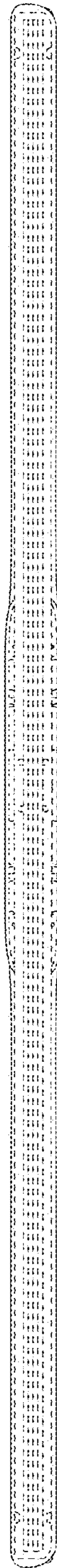


FIG. 7