



US00D686554S

(12) **United States Design Patent**
Pollmann

(10) **Patent No.:** **US D686,554 S**

(45) **Date of Patent:** **** Jul. 23, 2013**

(54) **WHEEL OR WHEEL COVER**

(71) Applicant: **Bayerische Motoren Werke
Aktiengesellschaft, Munich (DE)**

(72) Inventor: **Gert Pollmann, Boehmfeld (DE)**

(73) Assignee: **Bayerische Motoren Werke
Aktiengesellschaft, Munich (DE)**

(**) Term: **14 Years**

(21) Appl. No.: **29/440,079**

(22) Filed: **Dec. 19, 2012**

(30) **Foreign Application Priority Data**

Jun. 22, 2012 (DE) 40 2012 100 471

(51) **LOC (9) Cl.** **12-16**

(52) **U.S. Cl.**
USPC **D12/209**

(58) **Field of Classification Search**
USPC D12/204-213; 301/37.101, 64.101,
301/65, 64.201
See application file for complete search history.

(56) **References Cited**

U.S. PATENT DOCUMENTS

D486,437 S * 2/2004 Hieke D12/211
D504,648 S * 5/2005 Pfeiffer D12/209
D512,007 S * 11/2005 Sze D12/209
D522,949 S 6/2006 Elmitt
D538,216 S 3/2007 Sycha

D582,331 S * 12/2008 Blasi D12/209
D583,740 S * 12/2008 Frizzi D12/209
D601,074 S * 9/2009 Buschmann D12/209
D619,070 S * 7/2010 Pollmann D12/209
D628,527 S * 12/2010 Faghihzadeh D12/211
D641,678 S * 7/2011 Elmitt D12/209
D645,391 S * 9/2011 Weil D12/209
D666,952 S * 9/2012 Pollmann D12/209
D673,093 S * 12/2012 Platto et al. D12/209

FOREIGN PATENT DOCUMENTS

EM 000255609-0004 2/2005
EM 000273651-0002 3/2005
EM 000577945-0002 9/2006
EM 001072284-0001 3/2009

* cited by examiner

Primary Examiner — Stacia Cadmus

(74) *Attorney, Agent, or Firm* — Crowell & Moring LLP

(57) **CLAIM**

The ornamental design for a wheel or wheel cover, as shown and described.

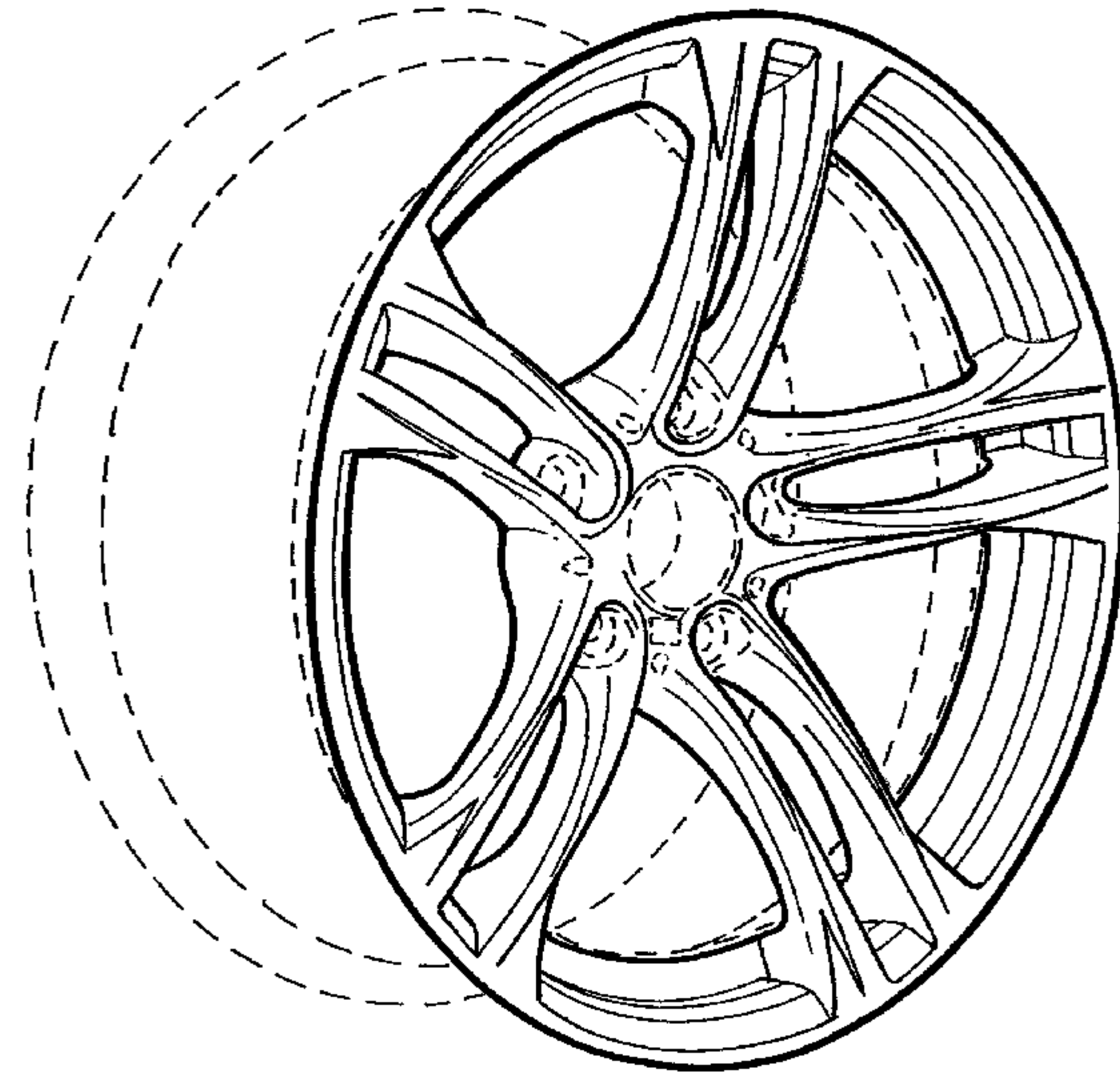
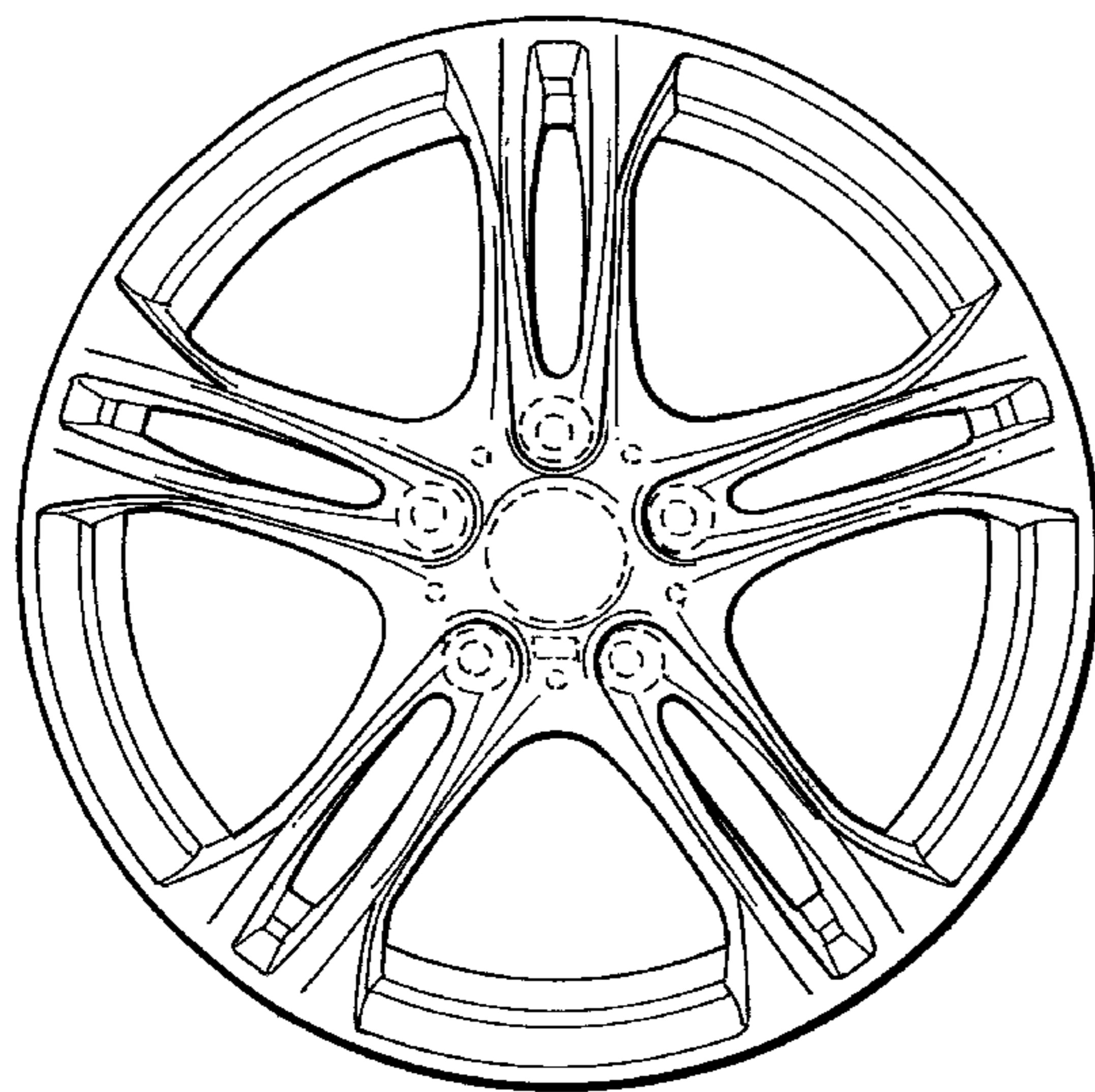
DESCRIPTION

FIG. 1 is a front view of a wheel or wheel cover according to the design; and,

FIG. 2 is a perspective view thereof.

The broken line showing of the rear of the wheel and the bolt holes and center opening in the central hub area is included for the purpose of illustrating environment and forms no part of the claimed design.

1 Claim, 1 Drawing Sheet



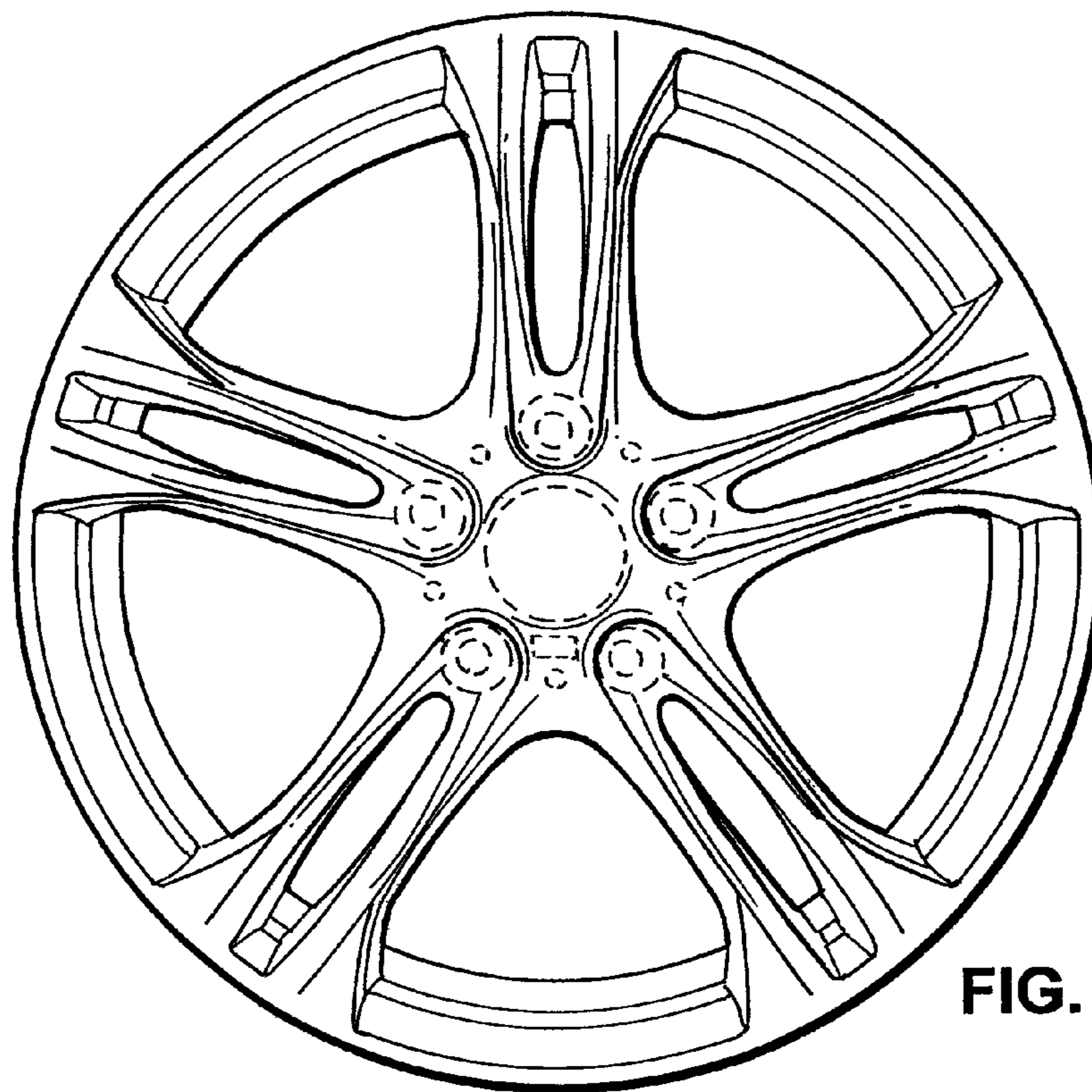


FIG. 1

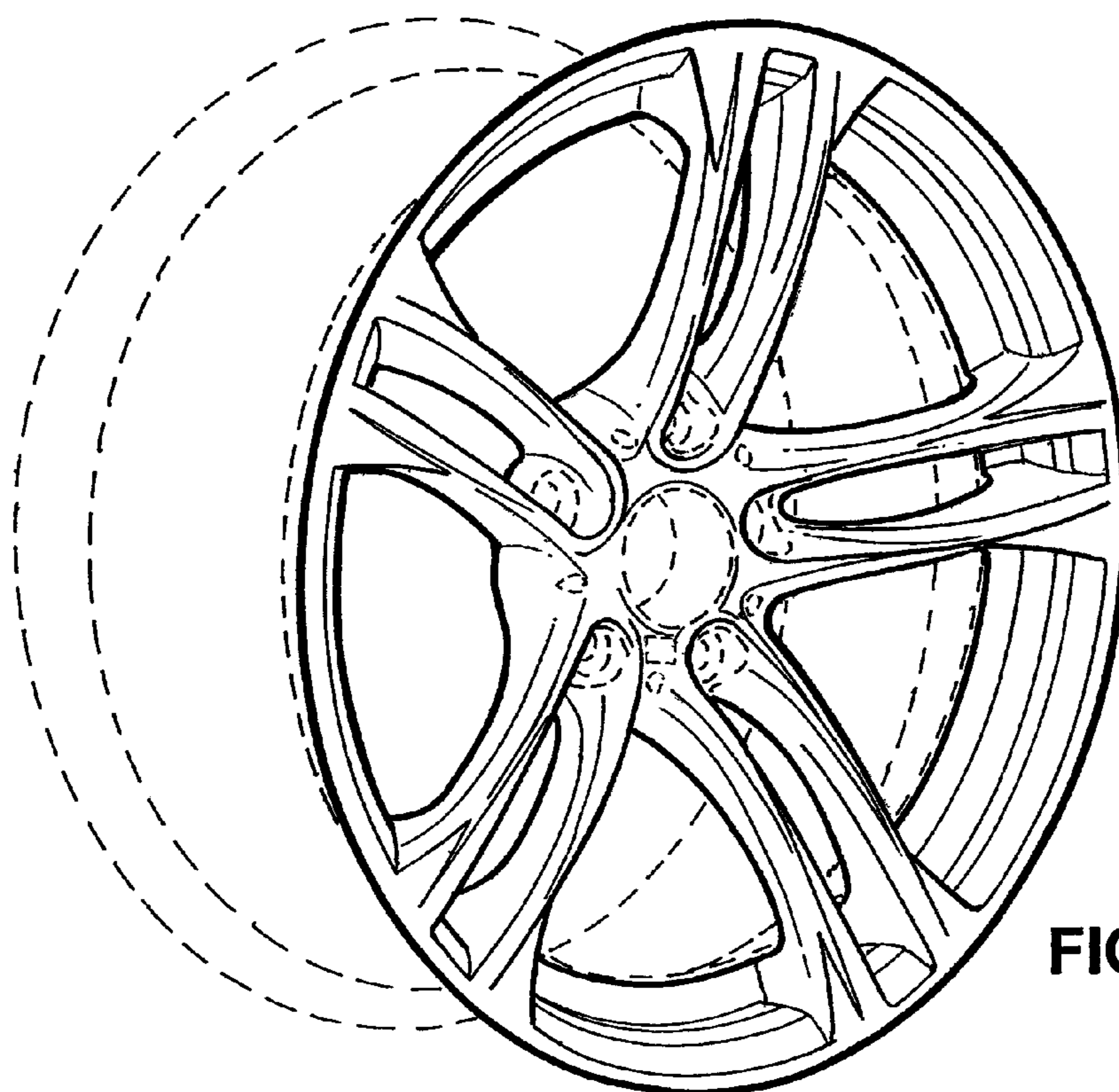


FIG. 2