



US00D686547S

(12) **United States Design Patent**
Neilson

(10) **Patent No.:** **US D686,547 S**
(45) **Date of Patent:** **** Jul. 23, 2013**

(54) **BICYCLE HANDLEBAR EXTENDER**

(71) Applicant: **Bruce Neilson**, Lafayette, CA (US)

(72) Inventor: **Bruce Neilson**, Lafayette, CA (US)

(**) Term: **14 Years**

(21) Appl. No.: **29/446,408**

(22) Filed: **Feb. 22, 2013**

(51) **LOC (9) Cl.** **12-11**

(52) **U.S. Cl.**
USPC **D12/178**

(58) **Field of Classification Search**
USPC D12/178, 111, 114; 74/551.1-551.8;
D8/303; 280/274, 281.1, 288.4
See application file for complete search history.

(56) **References Cited**

U.S. PATENT DOCUMENTS

575,109	A *	1/1897	Gulick	74/551.1
D306,841	S *	3/1990	Hellestam et al.	D12/111
5,119,690	A *	6/1992	Shu	74/551.1
5,133,224	A *	7/1992	Prins	74/551.3
5,758,548	A *	6/1998	Smith	74/551.1
6,668,681	B2 *	12/2003	Flum et al.	74/551.1
D488,406	S *	4/2004	Sramek	D12/111

D494,508	S *	8/2004	Liu	D12/111
D654,411	S *	2/2012	Alt	D12/178
D668,586	S *	10/2012	Golias et al.	D12/111
2009/0056495	A1 *	3/2009	Bischoff et al.	74/551.9

* cited by examiner

Primary Examiner — Susan M Lee

Assistant Examiner — Linda G Brooks

(74) *Attorney, Agent, or Firm* — QuickPatents; Kevin Prince

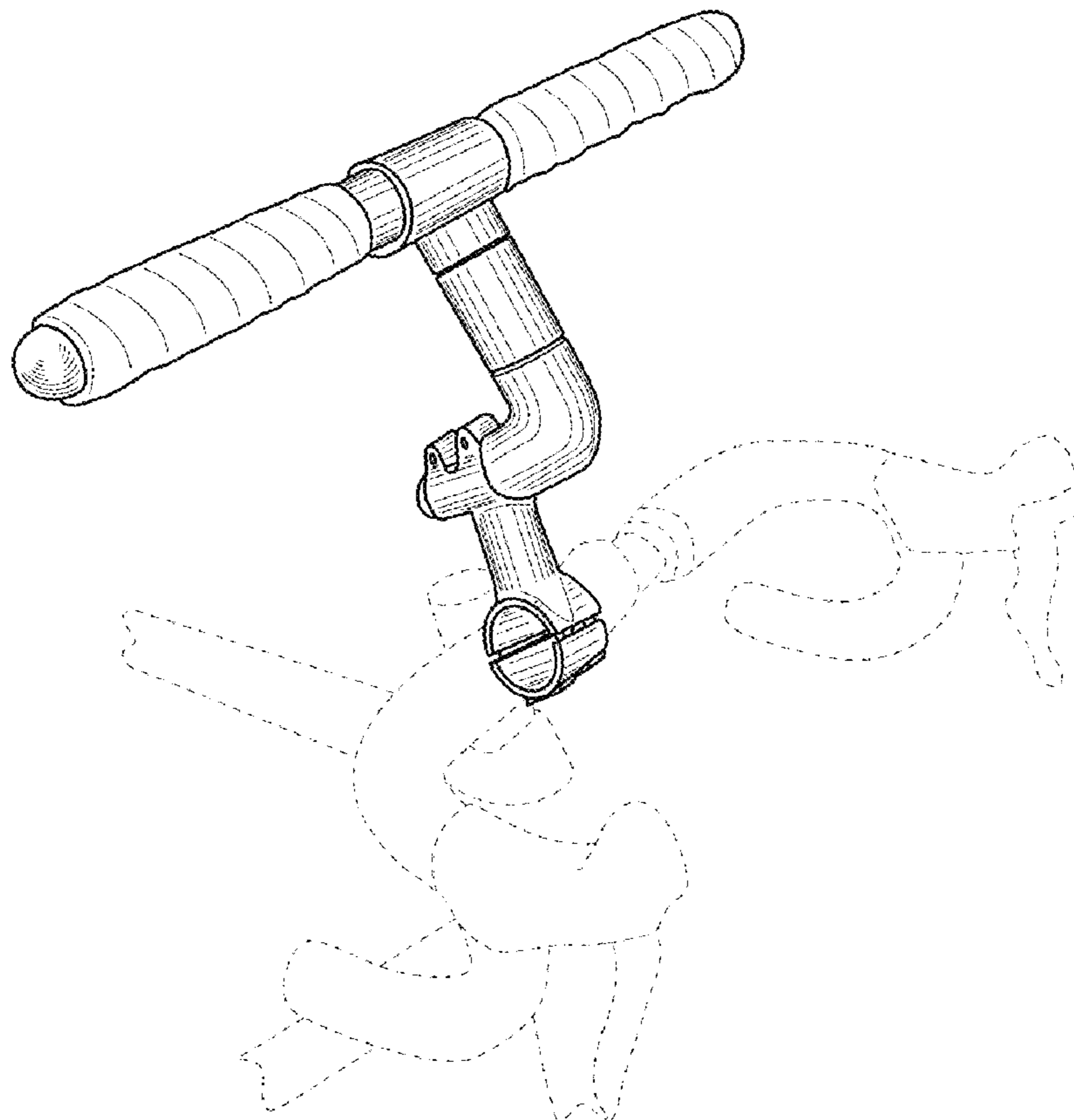
(57) **CLAIM**

I claim the ornamental design for a bicycle handlebar extender, as shown and described.

DESCRIPTION

FIG. 1 is a perspective view of a bicycle handlebar extender, showing my new design;
FIG. 2 is a front elevational view thereof;
FIG. 3 is a rear elevational view thereof;
FIG. 4 is a left-side elevational view thereof, the right-side elevational view being a mirror image thereof;
FIG. 5 is a top plan view thereof; and,
FIG. 6 is a bottom plan view thereof.
The broken lines showing a front portion of a bicycle in FIG. 1 depict environmental matter and form no part of the claimed design.

1 Claim, 3 Drawing Sheets



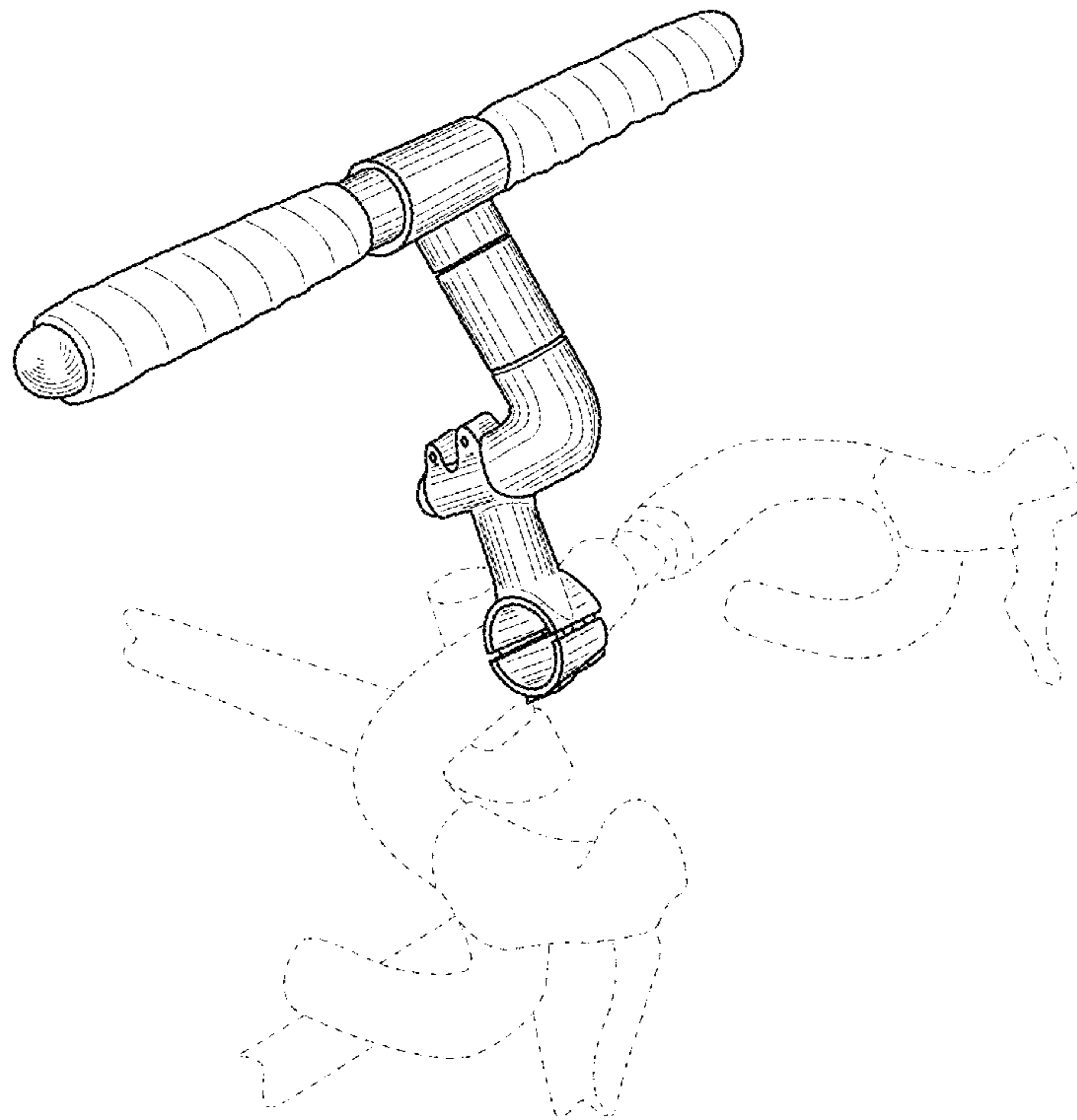


FIG. 1

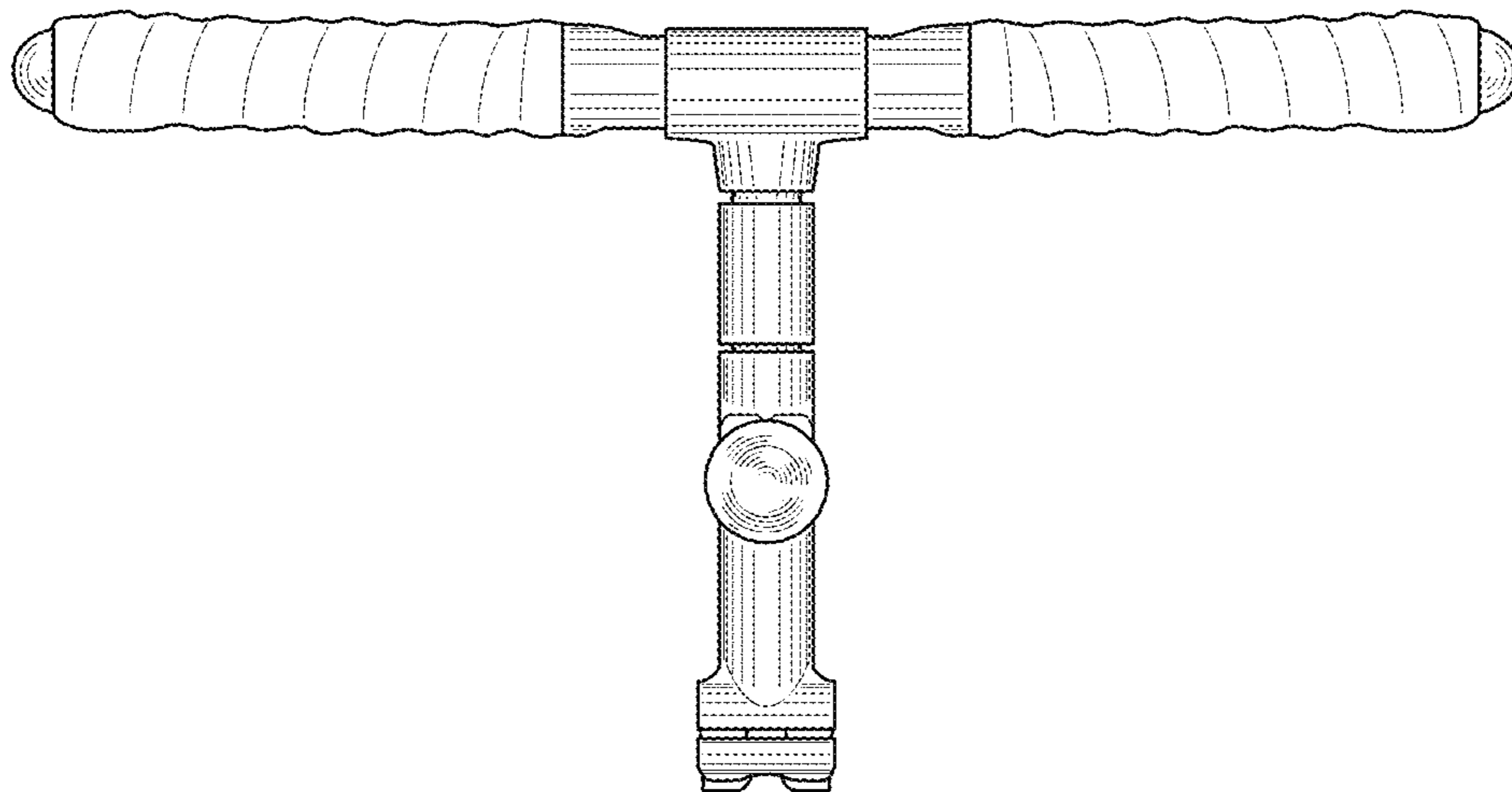


FIG. 2

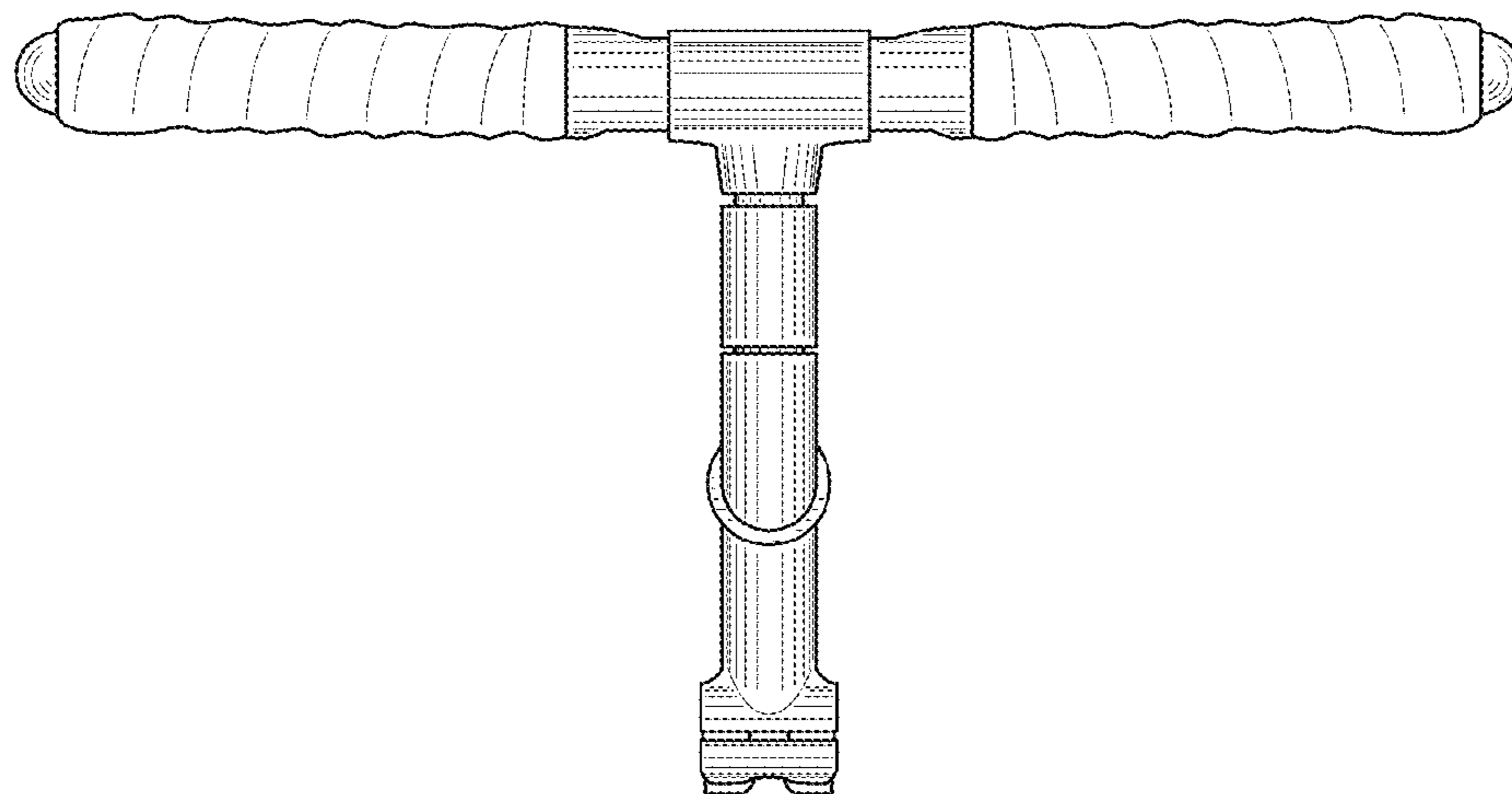


FIG. 3

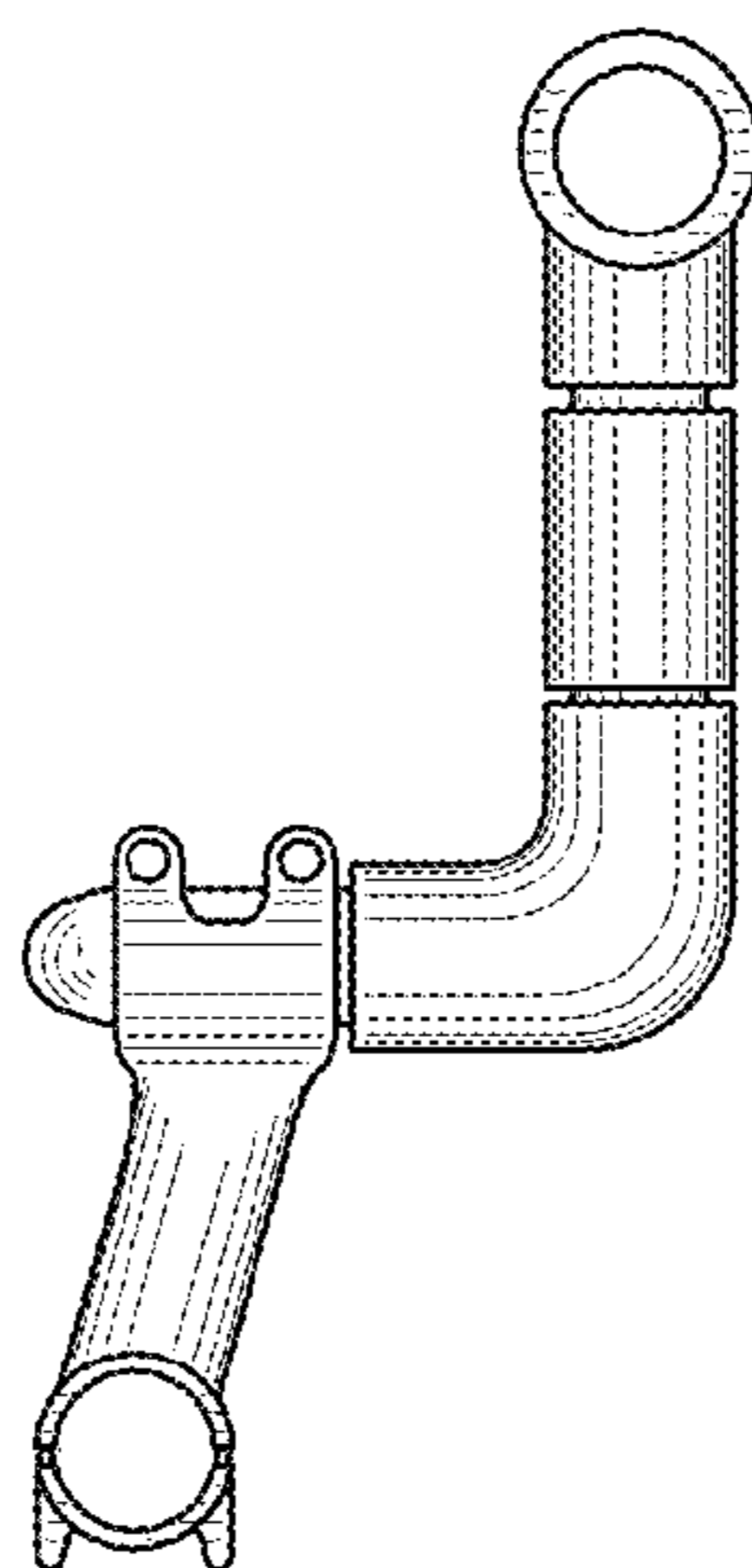


FIG. 4

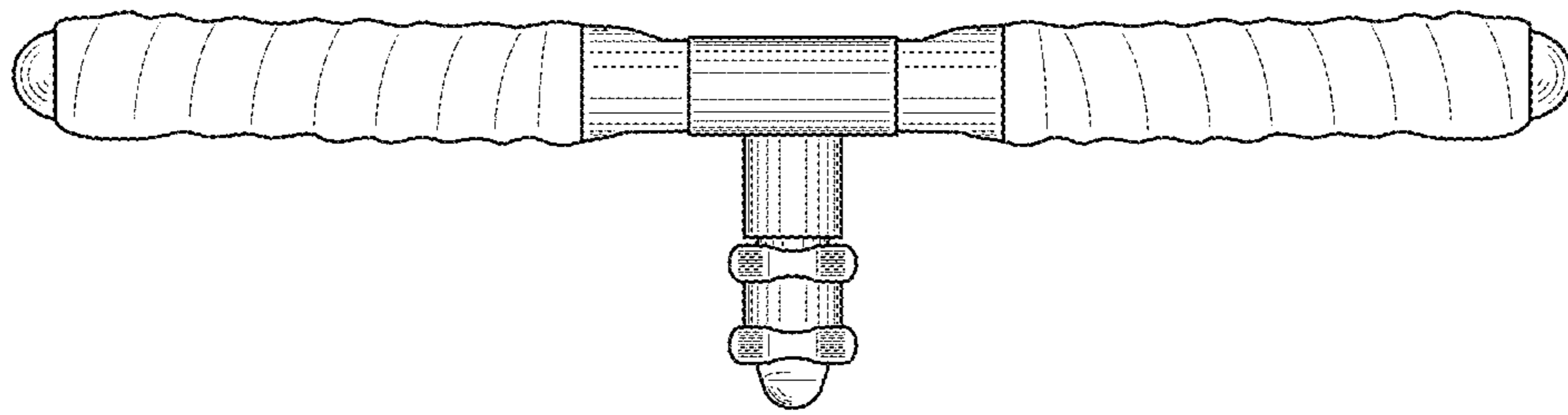


FIG. 5

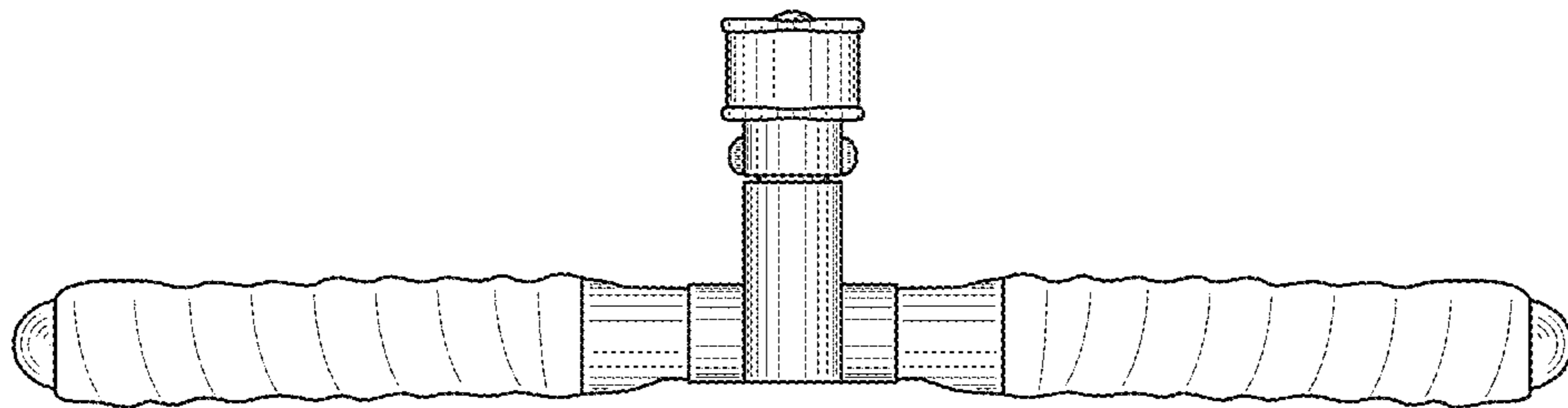


FIG. 6