



US00D686545S

(12) **United States Design Patent**
Peltola et al.

(10) **Patent No.:** **US D686,545 S**
(45) **Date of Patent:** **** Jul. 23, 2013**

- (54) **BUMPER ASSEMBLY**
 - (75) Inventors: **Wallace A. Peltola**, Sammamish, WA (US); **Jonathan Duncan**, Seattle, WA (US); **Scott D. Hite**, Pilot Point, TX (US); **William Johnson**, Dallas, TX (US); **Jameson L. Longman**, Bellingham, WA (US)
 - (73) Assignee: **PACCAR Inc**, Bellevue, WA (US)
 - (**) Term: **14 Years**
 - (21) Appl. No.: **29/415,679**
 - (22) Filed: **Mar. 13, 2012**
 - (51) **LOC (9) Cl.** **12-16**
 - (52) **U.S. Cl.**
USPC **D12/169**
 - (58) **Field of Classification Search**
USPC D12/86, 90, 91, 92, 163, 169, 171, 180, 181, 182, 183, 184, 185, 186, 187, 188, 189, 190, 191, 192, 193, 194, 195, 196, 197, 198, 199, 200, 201, 202, 203, 204, 205, 206, 207, 208, 209, 210, 211, 212, 213, 214, 215, 216, 217, 218, 219, 220, 221, 222, 223, 224, 225, 226, 227, 228, 229, 230, 231, 232, 233, 234, 235, 236, 237, 238, 239, 240, 241, 242, 243, 244, 245, 246, 247, 248, 249, 250, 251, 252, 253, 254, 255, 256, 257, 258, 259, 260, 261, 262, 263, 264, 265, 266, 267, 268, 269, 270, 271, 272, 273, 274, 275, 276, 277, 278, 279, 280, 281, 282, 283, 284, 285, 286, 287, 288, 289, 290, 291, 292, 293, 294, 295, 296, 297, 298, 299, 300, 301, 302, 303, 304, 305, 306, 307, 308, 309, 310, 311, 312, 313, 314, 315, 316, 317, 318, 319, 320, 321, 322, 323, 324, 325, 326, 327, 328, 329, 330, 331, 332, 333, 334, 335, 336, 337, 338, 339, 340, 341, 342, 343, 344, 345, 346, 347, 348, 349, 350, 351, 352, 353, 354, 355, 356, 357, 358, 359, 360, 361, 362, 363, 364, 365, 366, 367, 368, 369, 370, 371, 372, 373, 374, 375, 376, 377, 378, 379, 380, 381, 382, 383, 384, 385, 386, 387, 388, 389, 390, 391, 392, 393, 394, 395, 396, 397, 398, 399, 400, 401, 402, 403, 404, 405, 406, 407, 408, 409, 410, 411, 412, 413, 414, 415, 416, 417, 418, 419, 420, 421, 422, 423, 424, 425, 426, 427, 428, 429, 430, 431, 432, 433, 434, 435, 436, 437, 438, 439, 440, 441, 442, 443, 444, 445, 446, 447, 448, 449, 450, 451, 452, 453, 454, 455, 456, 457, 458, 459, 460, 461, 462, 463, 464, 465, 466, 467, 468, 469, 470, 471, 472, 473, 474, 475, 476, 477, 478, 479, 480, 481, 482, 483, 484, 485, 486, 487, 488, 489, 490, 491, 492, 493, 494, 495, 496, 497, 498, 499, 500, 501, 502, 503, 504, 505, 506, 507, 508, 509, 510, 511, 512, 513, 514, 515, 516, 517, 518, 519, 520, 521, 522, 523, 524, 525, 526, 527, 528, 529, 530, 531, 532, 533, 534, 535, 536, 537, 538, 539, 540, 541, 542, 543, 544, 545, 546, 547, 548, 549, 550, 551, 552, 553, 554, 555, 556, 557, 558, 559, 560, 561, 562, 563, 564, 565, 566, 567, 568, 569, 570, 571, 572, 573, 574, 575, 576, 577, 578, 579, 580, 581, 582, 583, 584, 585, 586, 587, 588, 589, 590, 591, 592, 593, 594, 595, 596, 597, 598, 599, 600, 601, 602, 603, 604, 605, 606, 607, 608, 609, 610, 611, 612, 613, 614, 615, 616, 617, 618, 619, 620, 621, 622, 623, 624, 625, 626, 627, 628, 629, 630, 631, 632, 633, 634, 635, 636, 637, 638, 639, 640, 641, 642, 643, 644, 645, 646, 647, 648, 649, 650, 651, 652, 653, 654, 655, 656, 657, 658, 659, 660, 661, 662, 663, 664, 665, 666, 667, 668, 669, 670, 671, 672, 673, 674, 675, 676, 677, 678, 679, 680, 681, 682, 683, 684, 685, 686, 687, 688, 689, 690, 691, 692, 693, 694, 695, 696, 697, 698, 699, 700, 701, 702, 703, 704, 705, 706, 707, 708, 709, 710, 711, 712, 713, 714, 715, 716, 717, 718, 719, 720, 721, 722, 723, 724, 725, 726, 727, 728, 729, 730, 731, 732, 733, 734, 735, 736, 737, 738, 739, 740, 741, 742, 743, 744, 745, 746, 747, 748, 749, 750, 751, 752, 753, 754, 755, 756, 757, 758, 759, 760, 761, 762, 763, 764, 765, 766, 767, 768, 769, 770, 771, 772, 773, 774, 775, 776, 777, 778, 779, 780, 781, 782, 783, 784, 785, 786, 787, 788, 789, 790, 791, 792, 793, 794, 795, 796, 797, 798, 799, 800, 801, 802, 803, 804, 805, 806, 807, 808, 809, 810, 811, 812, 813, 814, 815, 816, 817, 818, 819, 820, 821, 822, 823, 824, 825, 826, 827, 828, 829, 830, 831, 832, 833, 834, 835, 836, 837, 838, 839, 840, 841, 842, 843, 844, 845, 846, 847, 848, 849, 850, 851, 852, 853, 854, 855, 856, 857, 858, 859, 860, 861, 862, 863, 864, 865, 866, 867, 868, 869, 870, 871, 872, 873, 874, 875, 876, 877, 878, 879, 880, 881, 882, 883, 884, 885, 886, 887, 888, 889, 890, 891, 892, 893, 894, 895, 896, 897, 898, 899, 900, 901, 902, 903, 904, 905, 906, 907, 908, 909, 910, 911, 912, 913, 914, 915, 916, 917, 918, 919, 920, 921, 922, 923, 924, 925, 926, 927, 928, 929, 930, 931, 932, 933, 934, 935, 936, 937, 938, 939, 940, 941, 942, 943, 944, 945, 946, 947, 948, 949, 950, 951, 952, 953, 954, 955, 956, 957, 958, 959, 960, 961, 962, 963, 964, 965, 966, 967, 968, 969, 970, 971, 972, 973, 974, 975, 976, 977, 978, 979, 980, 981, 982, 983, 984, 985, 986, 987, 988, 989, 990, 991, 992, 993, 994, 995, 996, 997, 998, 999, 1000
- See application file for complete search history.

- D478,027 S 8/2003 Chiang
- D478,028 S 8/2003 Chiang
- D482,302 S 11/2003 Dozier
- D483,707 S 12/2003 Satou
- D490,749 S 6/2004 Satou
- D491,848 S 6/2004 Metros
- D492,627 S 7/2004 Metros
- D492,628 S 7/2004 Bond

(Continued)

OTHER PUBLICATIONS

“AeroCab,” Kenworth Truck Company, Kirkland, Washington, 1993, 5-page brochure.

(Continued)

Primary Examiner — Philip S Hyder

Assistant Examiner — Darlington Ly

(74) *Attorney, Agent, or Firm* — Christensen O’Connor Johnson Kindness PLLC

(57) **CLAIM**

The ornamental design for a bumper assembly, as shown and described.

DESCRIPTION

FIG. 1 is a perspective view of a bumper assembly of our new design;

FIG. 2 is a top plan view of the bumper assembly of FIG. 1;

FIG. 3 is a front elevational view of the bumper assembly of FIG. 1;

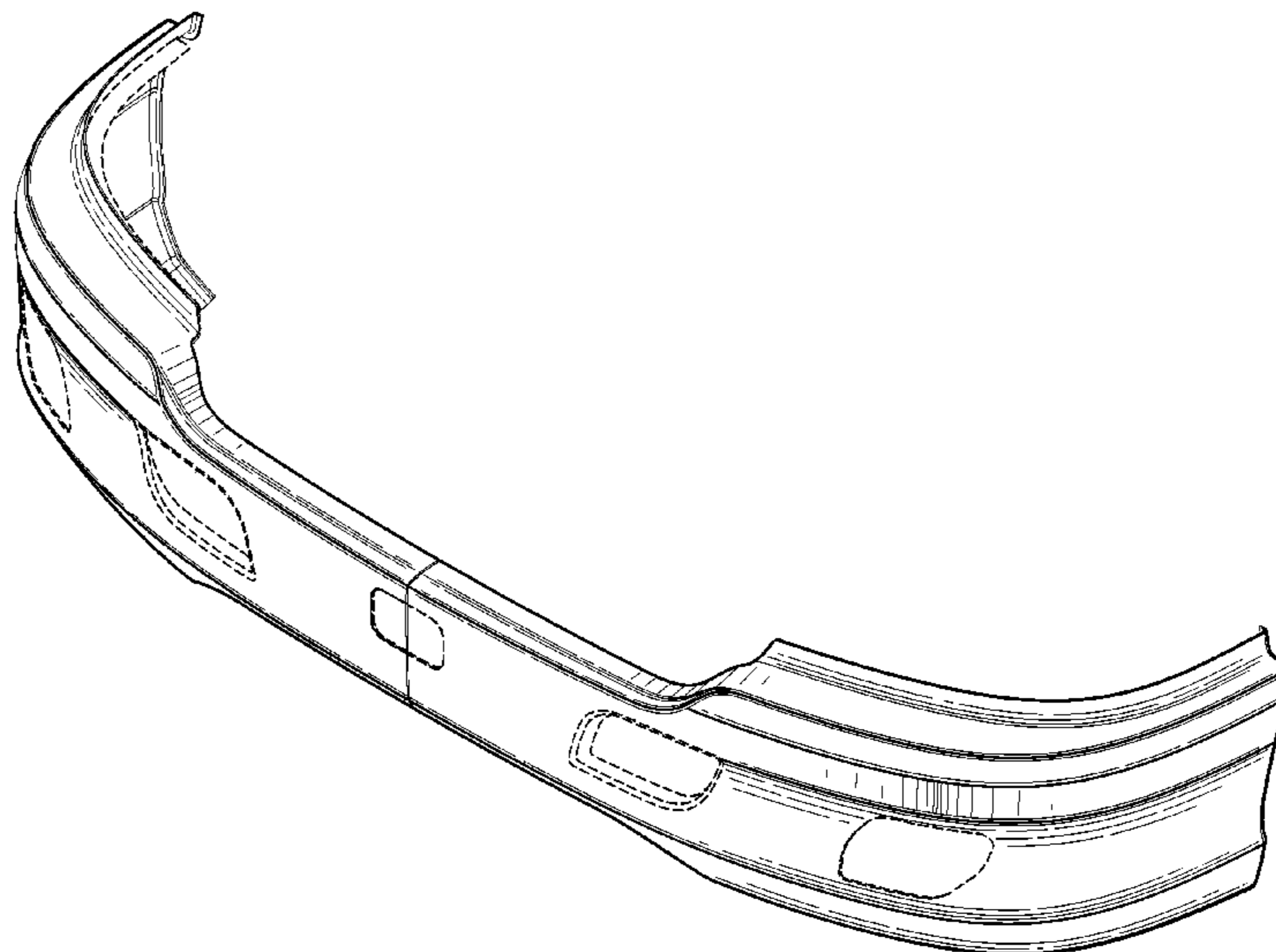
FIG. 4 is a bottom plan view of the bumper assembly of FIG. 1;

FIG. 5 is a right side elevational view of the bumper assembly of FIG. 1; and,

FIG. 6 is a left side elevational view of the bumper assembly of FIG. 1.

The subject matter shown in phantom lines is hereby disclaimed and forms no part of the claimed invention.

1 Claim, 3 Drawing Sheets



U.S. PATENT DOCUMENTS

| | | | |
|--------------|---------|-----------------|---------|
| D492,801 S | 7/2004 | Metros | |
| D494,898 S | 8/2004 | Metros | |
| D497,577 S | 10/2004 | Metros | |
| D497,581 S | 10/2004 | Conway | |
| D498,716 S | 11/2004 | Maeda | |
| D504,850 S | 5/2005 | Gunter | |
| D518,424 S * | 4/2006 | Clark et al. | D12/169 |
| D519,067 S * | 4/2006 | Steere et al. | D12/169 |
| D519,068 S | 4/2006 | Clark | |
| D519,069 S | 4/2006 | Clark | |
| D530,653 S * | 10/2006 | Angelo et al. | D12/169 |
| D531,940 S * | 11/2006 | McCuller et al. | D12/169 |
| D540,722 S | 4/2007 | Angelo | |
| D545,248 S * | 6/2007 | Angelo et al. | D12/169 |
| D551,601 S * | 9/2007 | Tabata et al. | D12/169 |
| D563,840 S | 3/2008 | Simons | |
| D584,664 S | 1/2009 | Johnson | |
| D584,665 S | 1/2009 | Johnson | |
| D595,624 S * | 7/2009 | Wagner et al. | D12/169 |
| D621,752 S | 8/2010 | Angelo | |
| D626,470 S * | 11/2010 | Komuro | D12/169 |
| D633,419 S * | 3/2011 | Peltola et al. | D12/169 |
| D647,013 S * | 10/2011 | Ito et al. | D12/169 |
| D653,999 S | 2/2012 | Peltola | |
| D671,049 S * | 11/2012 | Davidson et al. | D12/169 |

OTHER PUBLICATIONS

“AeroCab,” Kenworth Truck Company, Kirkland, Washington, as early as 1995, 3-page brochure.
 “AG130 Front Air Suspension,” Kenworth Truck Company, Kirkland, Washington, 2008, 2-page brochure.
 “C500B,” Kenworth Truck Company, Kirkland, Washington, as early as 1990, 4-page brochure.
 “Cabovers,” Peterbilt Motors Company, Newark, California, as early as 2000, 7-page brochure.
 “Class Pays, Construction Trucks,” Peterbilt Motors Company, Denton, Texas, Nov. 2003, 16-page brochure.
 “Class Pays, Ergonomic Dash,” Peterbilt Motors Company, Denton, Texas, Mar. 2000, 2-page brochure.
 “Class Pays, Medium Duty,” Peterbilt Motors Company, Denton, Texas, Sep. 2000, 12-page brochure.
 “Class Pays, Platinum Interior,” Peterbilt Motors Company, Denton, Texas, May 2005, 4-page brochure.
 “Class Pays, Refuse Trucks,” Peterbilt Motors Company, Denton, Texas, Sep. 2003, 2-page brochure.
 “Class Pays, Truck Models,” Peterbilt Motors Company, Denton, Texas, Mar. 2005, 24-page brochure.
 “Class Pays,” Peterbilt Motors Company, Denton, Texas, Nov. 1998, 10-page brochure.
 “Class Pays,” Peterbilt Motors Company, Denton, Texas, Sep. 1997, 10-page brochure.
 “Construction Trucks,” Canadian Kenworth Truck, Mississauga, Ontario, Canada, Jul. 1990, 16-page brochure.
 “Interiors,” Kenworth Truck Company, Kirkland, Washington, 2005, 16-page brochure.
 “Kenworth Truck Models,” Kenworth Truck Company, Kirkland, Washington, 2010, 16-page brochure.
 “K100E,” Kenworth Truck Company, Kirkland, Washington, 1984, 8-page brochure.
 “Model 320,” Peterbilt Motors Company, Denton, Texas, May 1996, 2-page brochure.
 “Model 330,” Peterbilt Motors Company, Denton, Texas, Oct. 1997, 3-page brochure.
 “Model 357 Heavy Haul,” Peterbilt Motors Company, Denton, Texas, Mar. 2005, 2-page brochure.
 “Model 357 Standard Specifications,” Peterbilt Motors Company, Newark, California, Sep. 1986, 6-page brochure.
 “Model 357, New Sloped Hood,” Peterbilt Motors Company, Denton, Texas, May 2002, 2-page brochure.
 “Model 357,” Peterbilt Motors Company, Denton, Texas, May 1994, 3-page brochure.
 “Model 357-115,” Peterbilt Motors Company, Denton, Texas, Mar. 2005, 2-page brochure.

“Model 362,” Peterbilt Motors Company, Newark, California, 1985, 8-page brochure.
 “Model 375 Standard Specifications,” Peterbilt Motors Company, Newark, California, Sep. 1986, 6-page brochure.
 “Model 377A/E,” Peterbilt Motors Company, Denton, Texas, Aug. 1997, 2-page brochure.
 “Model 377A/E,” Peterbilt Motors Company, Denton, Texas, Jan. 1995, 6-page brochure.
 “Model 378,” Peterbilt Motors Company, Denton, Texas, Mar. 1998, 3-page brochure.
 “Model 379,” Peterbilt Motors Company, Denton, Texas, Apr. 2005, 2-page brochure.
 “Model 379,” Peterbilt Motors Company, Denton, Texas, Mar. 1996, 5-page brochure.
 “Model 385,” Peterbilt Motors Company, Denton, Texas, Oct. 1996, 5-page brochure.
 “Model 387,” Peterbilt Motors Company, Denton, Texas, Oct. 2002, 2-page brochure.
 “PACCAR Engines, 2010 Medium Duty Engines,” PACCAR Inc, Bellevue, Washington, 2010, 6-page brochure.
 “PACCAR MX,” PACCAR Inc, Bellevue, Washington, 2010, 4-page brochure.
 “Peterbilt Parts & Accessories,” Peterbilt Motors Company, Denton, Texas, catalog, as early as 2000, 52-page brochure.
 “Rest with Class,” Peterbilt Motors Company, Newark, California, Apr. 1978, 4-page brochure.
 “Studio Sleeper,” Kenworth Truck Company, Kirkland, Washington, 1993, 5-page brochure.
 “T170 Class 5,” Kenworth Truck Company, Kirkland, Washington, 2008, 4-page brochure.
 “T2000,” Kenworth Truck Company, Kirkland, Washington, 1999, 20-page brochure.
 “T2000,” Kenworth Truck Company, Kirkland, Washington, 2002, 20-page brochure.
 “T2000,” Kenworth Truck Company, Kirkland, Washington, 2005, 20-page brochure.
 “T270 Class 6 and T370 Class 7,” Kenworth Truck Company, Kirkland, Washington, 2008, 6-page brochure.
 “T270 Class 6 and T370 Class 7,” Kenworth Truck Company, Kirkland, Washington, 2009, 6-page brochure.
 “T270 Class 6 and T370 Class 7 Hybrid,” Kenworth Truck Company, Kirkland, Washington, 2009, 6-page brochure.
 “T300,” Kenworth Truck Company, Kirkland, Washington, 1994, 4-page brochure.
 “T300,” Kenworth Truck Company, Kirkland, Washington, 1997, 5-page brochure.
 “T300,” Kenworth Truck Company, Kirkland, Washington, 2001, 16-page brochure.
 “T300,” Kenworth Truck Company, Kirkland, Washington, 2005, 16-page brochure.
 “T400B and T450B,” Kenworth Truck Company, Kirkland, Washington, 1992, 10-page brochure.
 “T440,” Kenworth Truck Company, Kirkland, Washington, 2010, 2-page brochure.
 “T440,” Kenworth Truck Company, Kirkland, Washington, 2010, 6-page brochure.
 “T470,” Kenworth Truck Company, Kirkland, Washington, 2010, 6-page brochure.
 “T470H,” Kenworth Truck Company, Kirkland, Washington, 2009, 2-page brochure.
 “T600, Ten Years of Innovation,” Kenworth Truck Company, Kirkland, Washington, 1995, 6-page brochure.
 “T600,” Kenworth Truck Company, Kirkland, Washington, 1996, 7-page brochure.
 “T600,” Kenworth Truck Company, Kirkland, Washington, 2002, 28-page brochure.
 “T600,” Kenworth Truck Company, Kirkland, Washington, 2005, 24-page brochure.
 “T600A,” Kenworth Truck Company, Kirkland, Washington, 1985, 10-page brochure.
 “T660,” Kenworth Truck Company, Kirkland, Washington, 2007, 36-page brochure.

US D686,545 S

Page 3

“T660,” Kenworth Truck Company, Kirkland, Washington, 2009, 36-page brochure.

“T700,” Kenworth Truck Company, Kirkland, Washington, 2010, 6-page brochure.

“T800,” Kenworth Truck Company, Kirkland, Washington, 1996, 7-page brochure.

“T800,” Kenworth Truck Company, Kirkland, Washington, 2002, 32-page brochure.

“T800,” Kenworth Truck Company, Kirkland, Washington, 2003, 32-page brochure.

“T800,” Kenworth Truck Company, Kirkland, Washington, 2005, 28-page brochure.

“T800,” Kenworth Truck Company, Kirkland, Washington, 2009, 28-page brochure.

“T800B,” Kenworth Truck Company, Kirkland, Washington, 1993, 8-page brochure.

“The Working Class,” Peterbilt Motors Company, Newark, California, Sep. 1976, 6-page brochure.

“The World’s Best,” Kenworth Truck Company, Kirkland, Washington, 1992, 12-page brochure.

“Unibilt™ Cab Sleeper System,” Peterbilt Motors Company, Denton Texas, Aug. 1994, 6-page brochure.

“W900,” Kenworth Truck Company, Kirkland, Washington, 1996, 7-page brochure.

“W900,” Kenworth Truck Company, Kirkland, Washington, 2002, 32-page brochure.

“W900,” Kenworth Truck Company, Kirkland, Washington, 2005, 28-page brochure.

“W900,” Kenworth Truck Company, Kirkland, Washington, 2009, 28-page brochure.

“W900L Aero Cab,” Kenworth Truck Company, Kirkland, Washington, 1994, 2-page brochure.

* cited by examiner

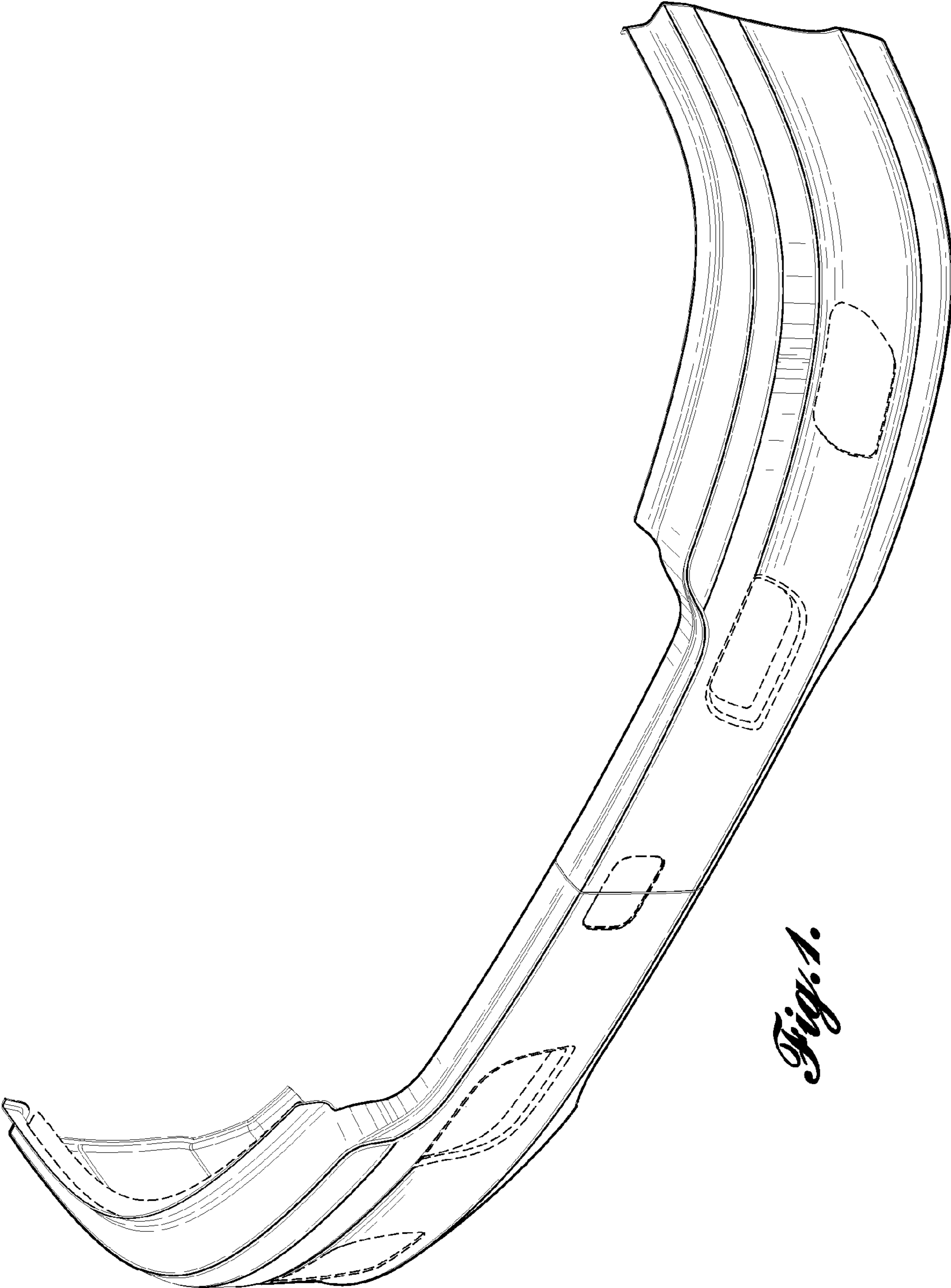


Fig. 1.



Fig. 2.

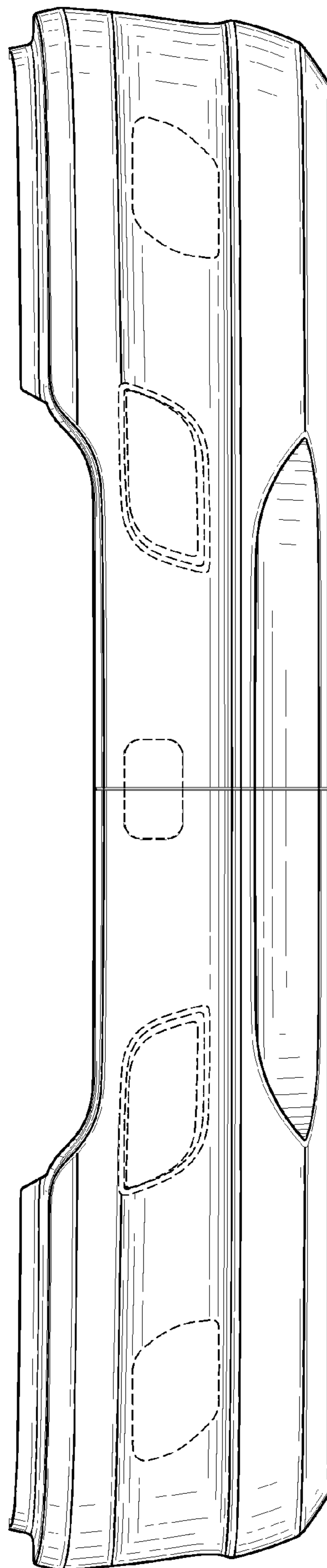


Fig. 3.

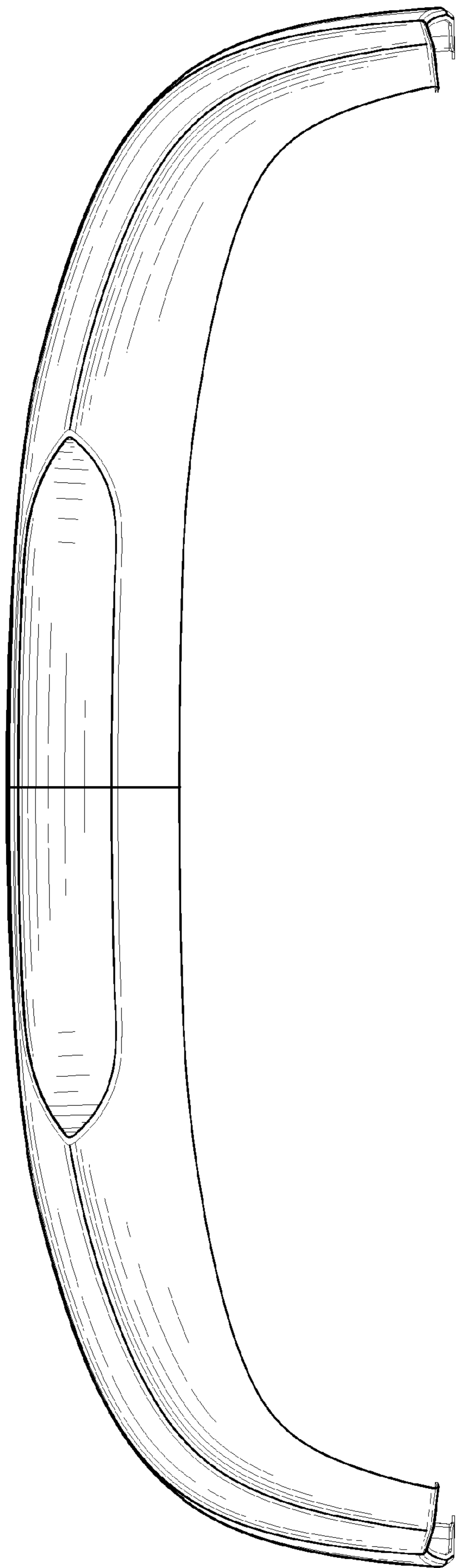


Fig. 4.

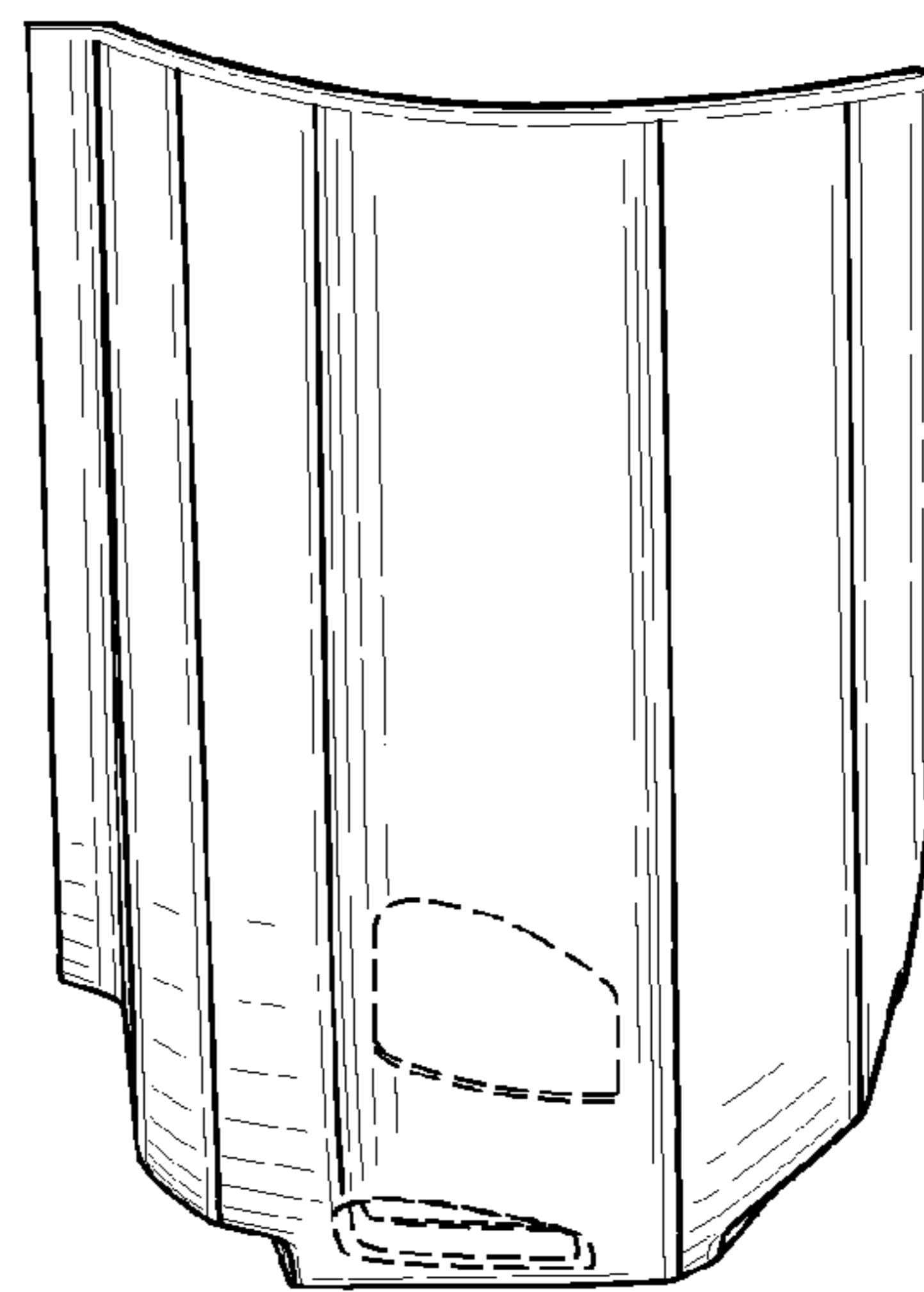


Fig. 6.

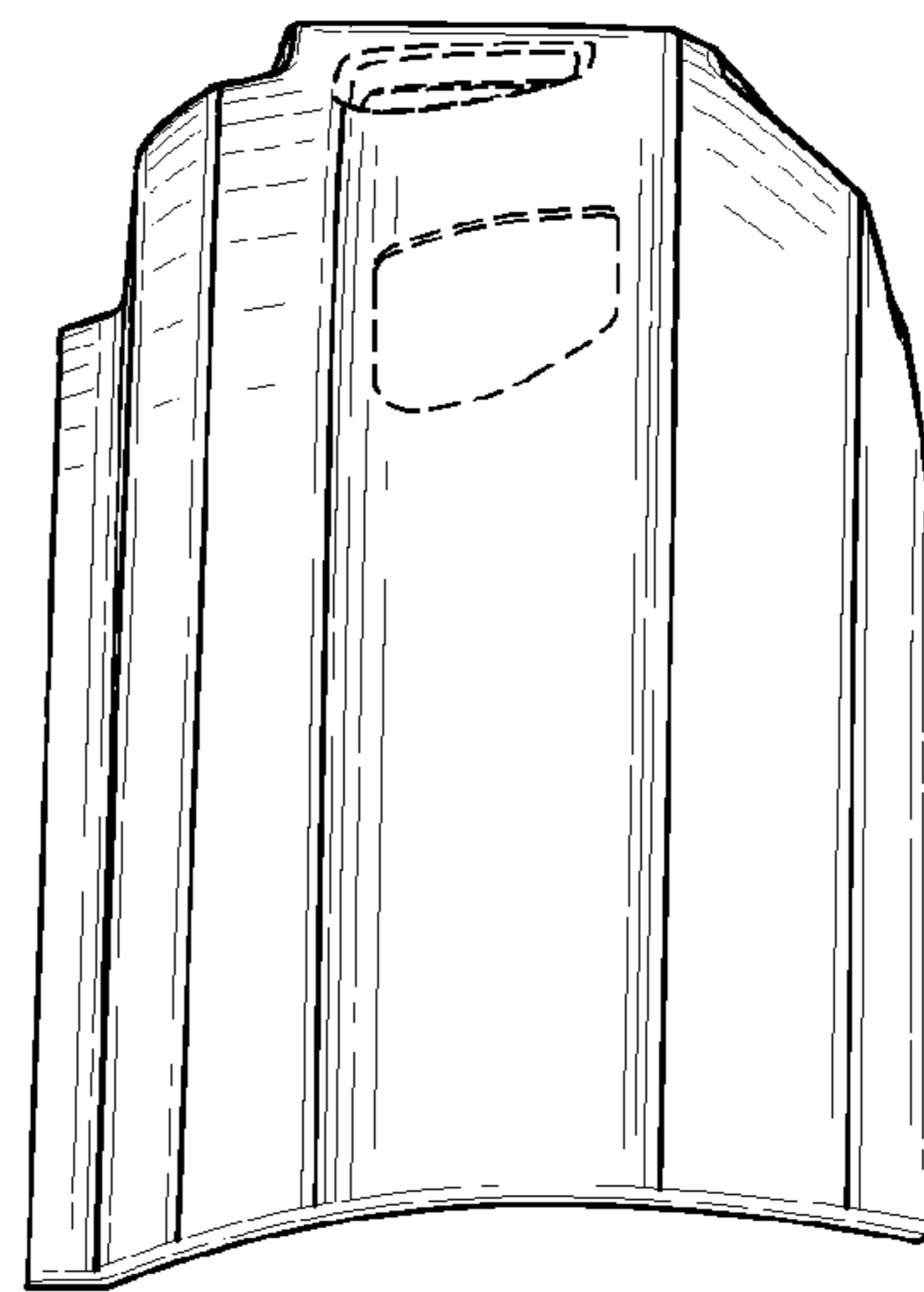


Fig. 5.