



US00D686543S

(12) **United States Design Patent**  
**Weil**

(10) **Patent No.:** **US D686,543 S**  
(45) **Date of Patent:** **\*\* Jul. 23, 2013**

(54) **RADIATOR GRILL FOR A VEHICLE**

(75) Inventor: **Christopher Weil**, Munich (DE)

(73) Assignee: **Bayerische Motoren Werke Aktiengesellschaft**, Munich (DE)

(\*\*) Term: **14 Years**

(21) Appl. No.: **29/412,813**

(22) Filed: **Feb. 8, 2012**

(30) **Foreign Application Priority Data**

Aug. 9, 2011 (DE) ..... 40 2011 003 968

(51) **LOC (9) Cl.** ..... **12-16**

(52) **U.S. Cl.**  
USPC ..... **D12/163**

(58) **Field of Classification Search**  
USPC ..... D12/163, 196, 171, 169, 216, 90-92,  
D12/86; 180/68.1, 68.6; 296/193.11  
See application file for complete search history.

(56) **References Cited**

**U.S. PATENT DOCUMENTS**

D561,653 S *	2/2008	Platto et al.	.....	D12/163
D566,015 S *	4/2008	Beigel et al.	.....	D12/163
D567,153 S *	4/2008	Cunningham	.....	D12/163
D578,938 S *	10/2008	Walter et al.	.....	D12/163
D579,385 S *	10/2008	Schiavone et al.	.....	D12/163
D604,677 S *	11/2009	Schiavone et al.	.....	D12/163

**FOREIGN PATENT DOCUMENTS**

WO	DM/066982	10/2005
WO	DM/074951	5/2011

**OTHER PUBLICATIONS**

E90 LCI Vehicle, Jul. 7, 2008.  
F10 Radiator Grill, Nov. 23, 2009.

\* cited by examiner

*Primary Examiner* — Melody Brown  
(74) *Attorney, Agent, or Firm* — Crowell & Moring LLP

(57) **CLAIM**

The ornamental design for a radiator grill for a vehicle, as shown and described.

**DESCRIPTION**

This application contains subject matter related to the following co-pending U.S. design patent applications:

Application Ser. No. 29/412,809, filed herewith and entitled "Vehicle, Toy, and/or Replicas Thereof"; and Application Ser. No. 29/412,814, filed herewith and entitled "Vehicle, Toy, and/or Replicas Thereof".

FIG. 1 is a right perspective view of a first embodiment of a radiator grill for a vehicle according to my design;

FIG. 2 is a left perspective view thereof;

FIG. 3 is a front view thereof;

FIG. 4 is a top view thereof; and

FIG. 5 is a right side view thereof.

FIG. 6 is a left perspective view of a second embodiment of the radiator grill for a vehicle according to my design;

FIG. 7 is a right perspective view thereof;

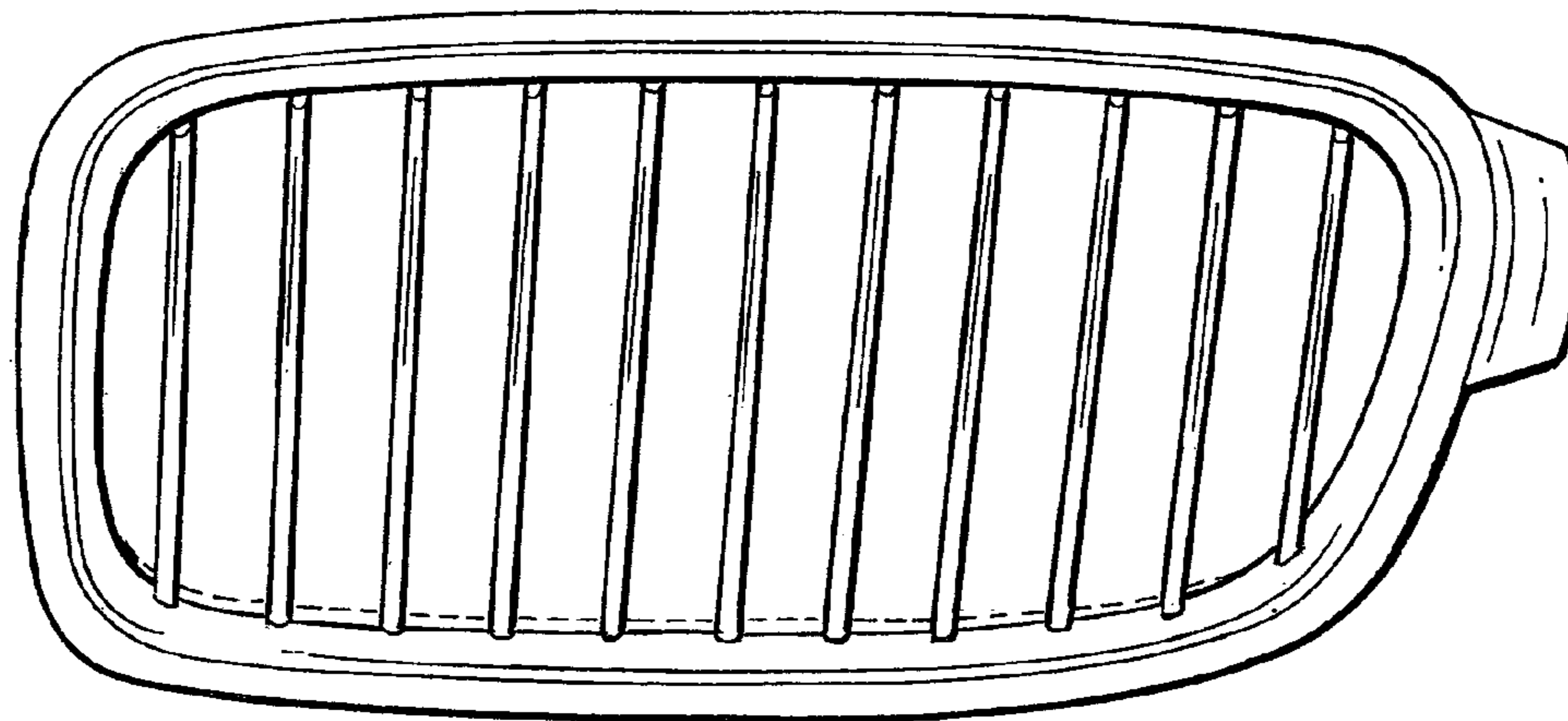
FIG. 8 is a front view thereof;

FIG. 9 is a top view thereof; and,

FIG. 10 is a left side view thereof.

The broken lines are for illustrative purposes only and form no part of the claimed design.

**1 Claim, 4 Drawing Sheets**



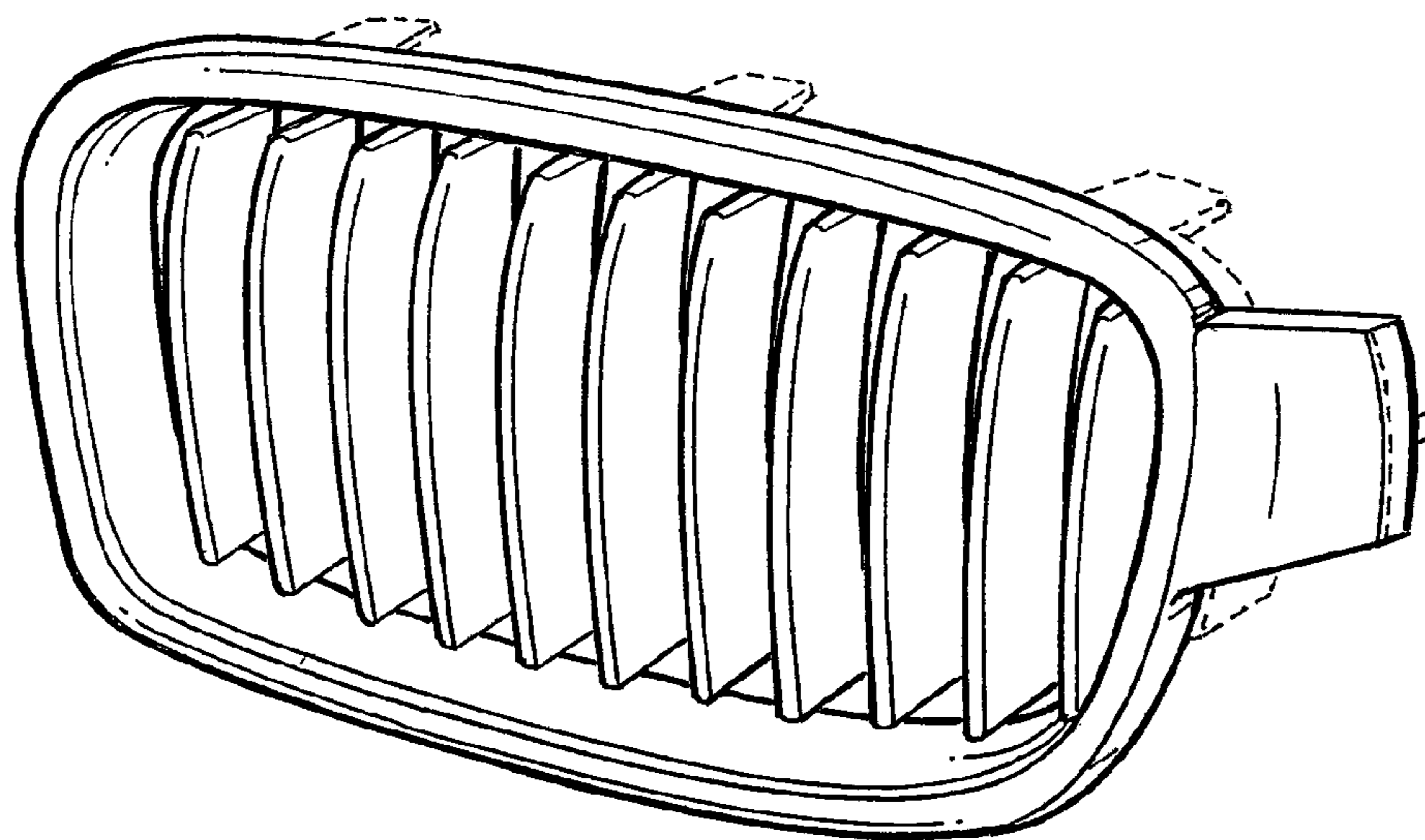


FIG. 1

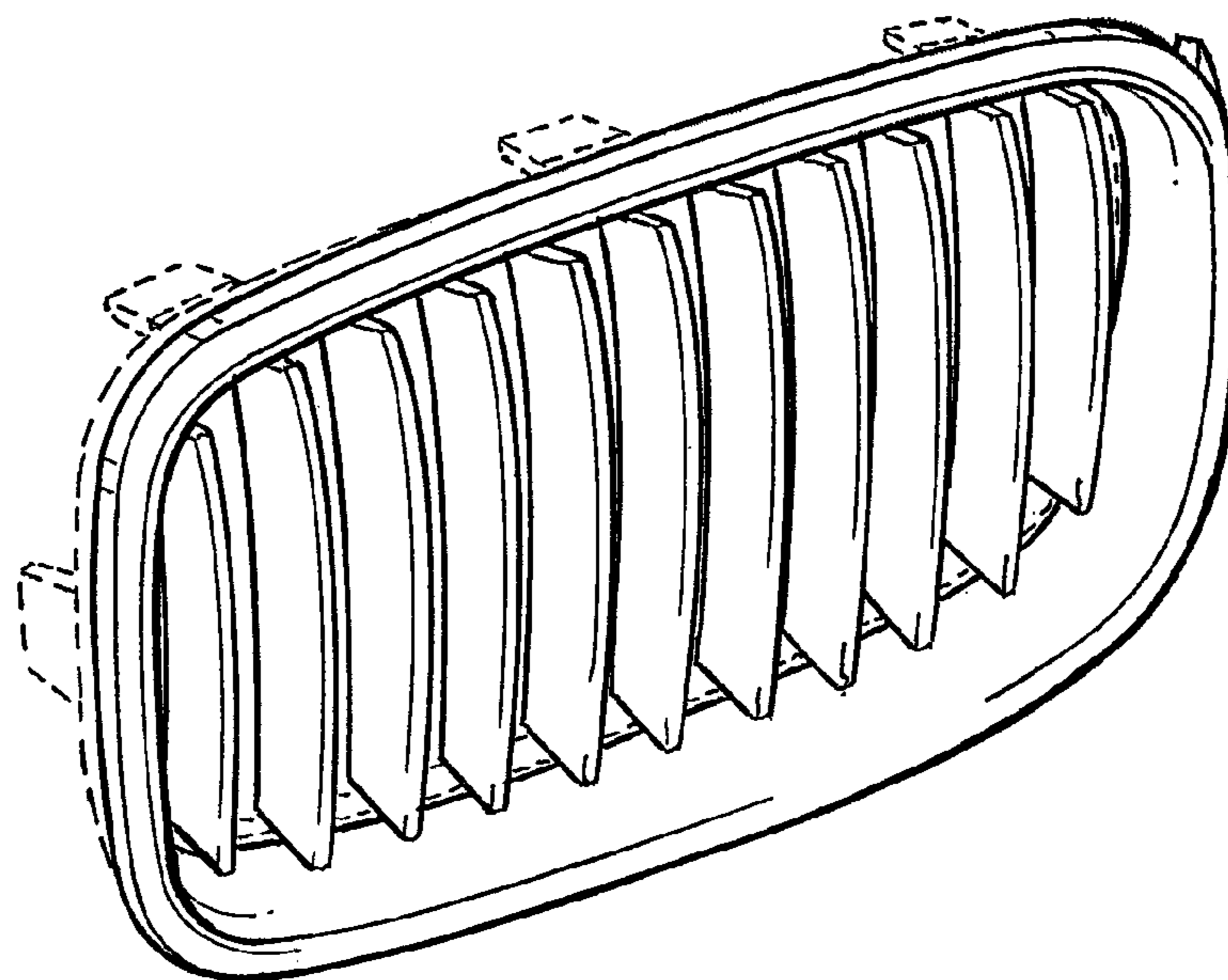


FIG. 2

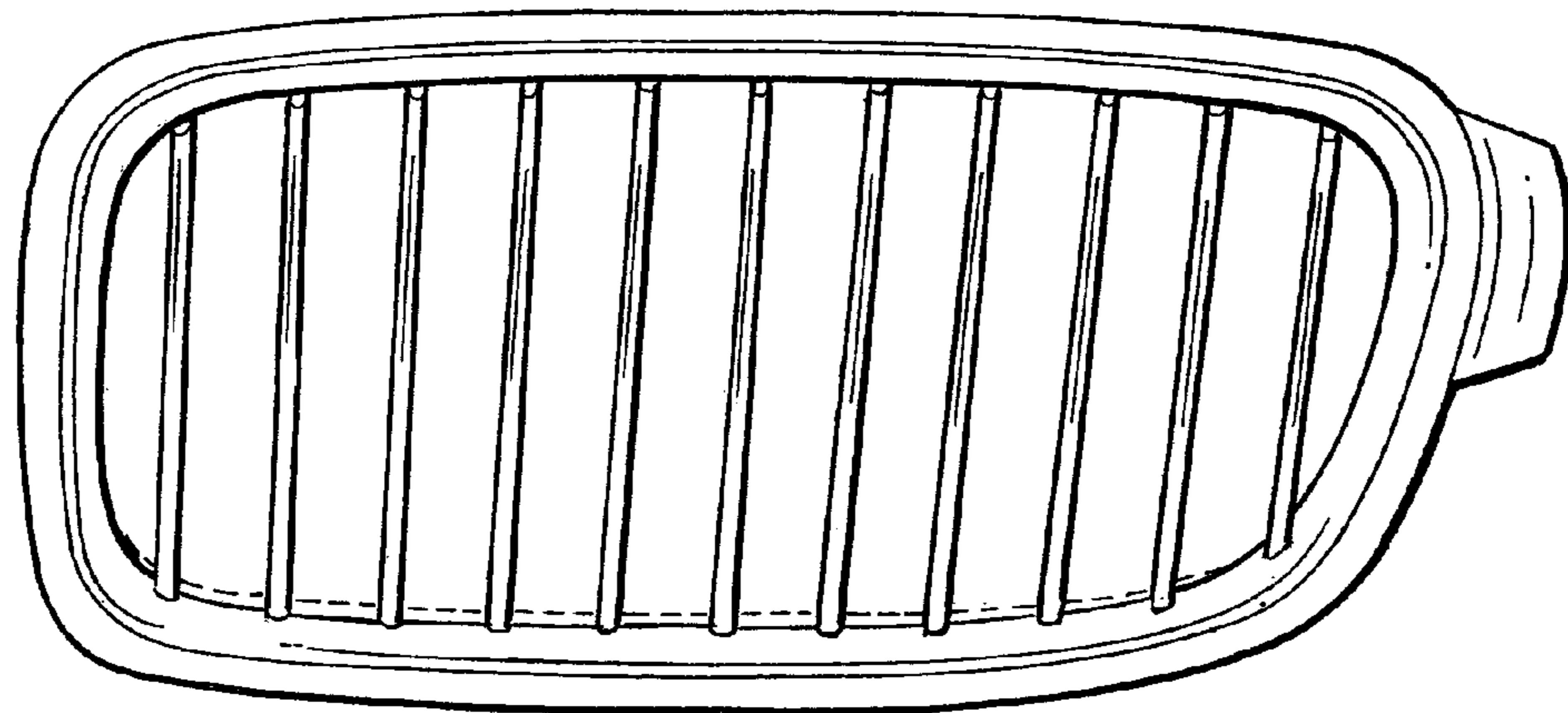


FIG. 3

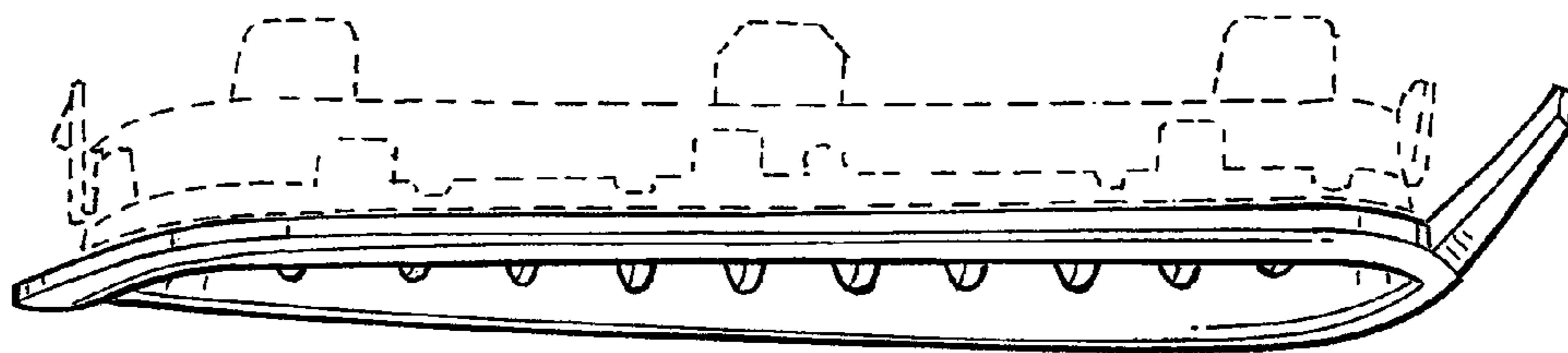


FIG. 4

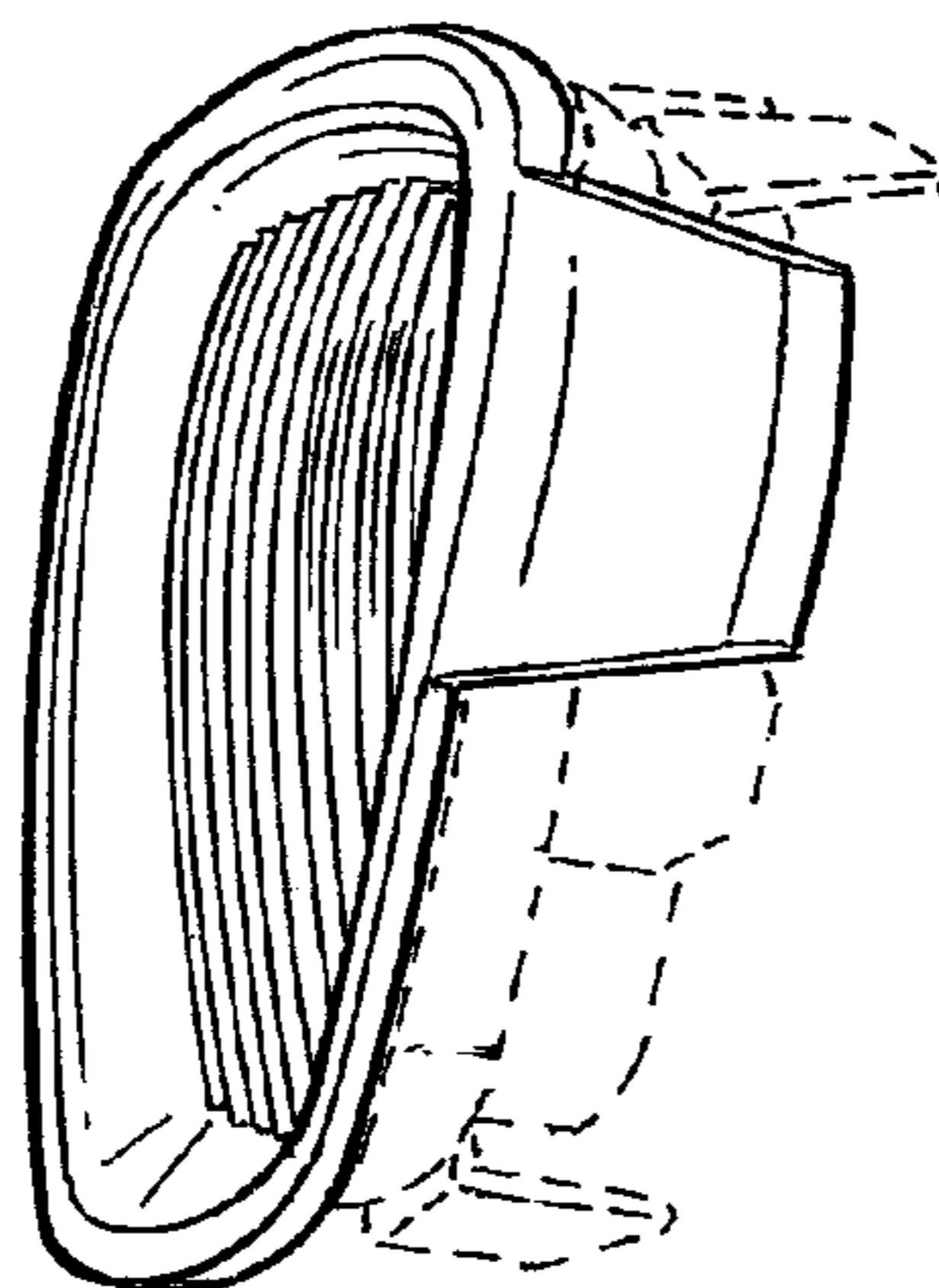


FIG. 5

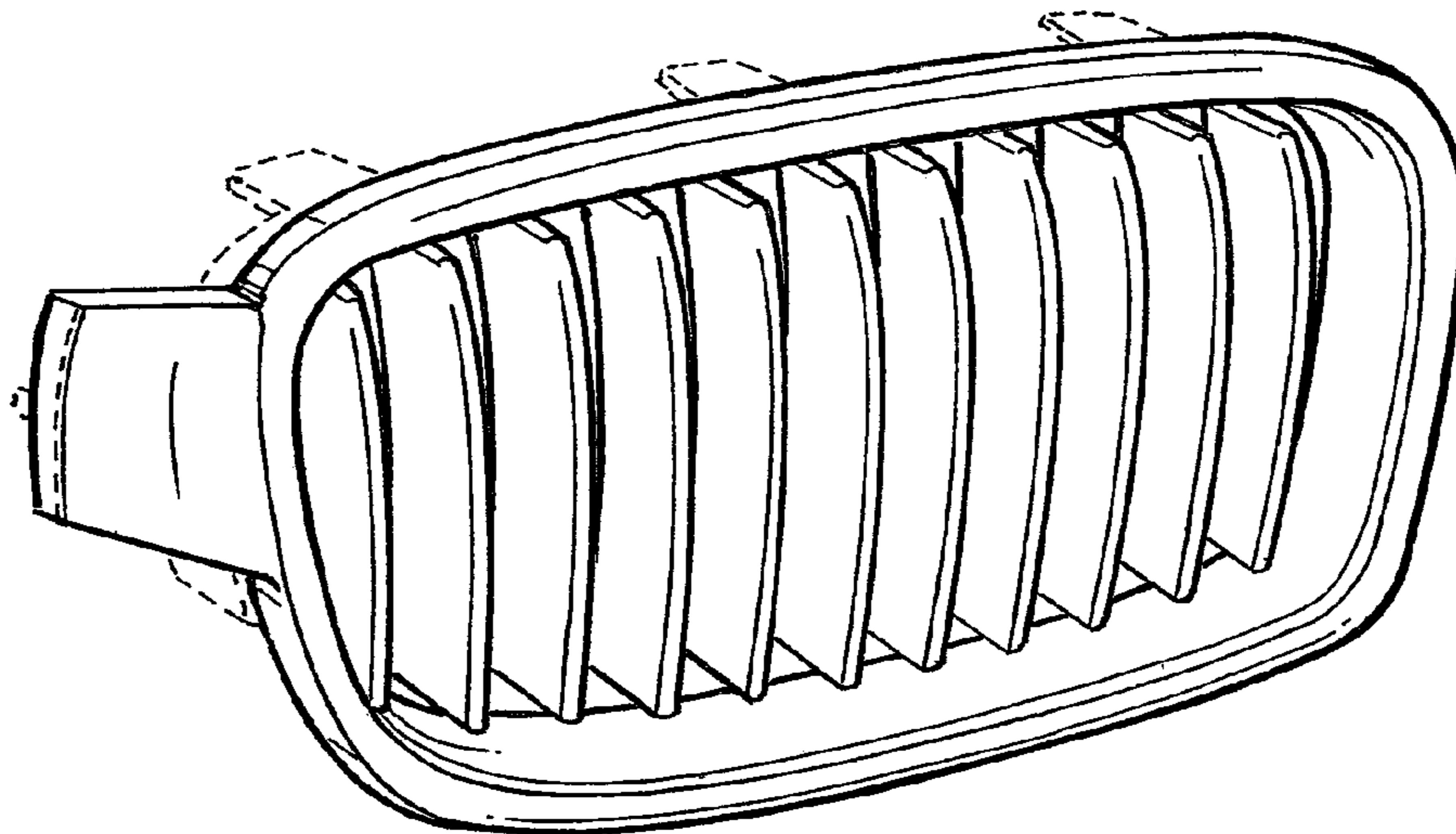


FIG. 6

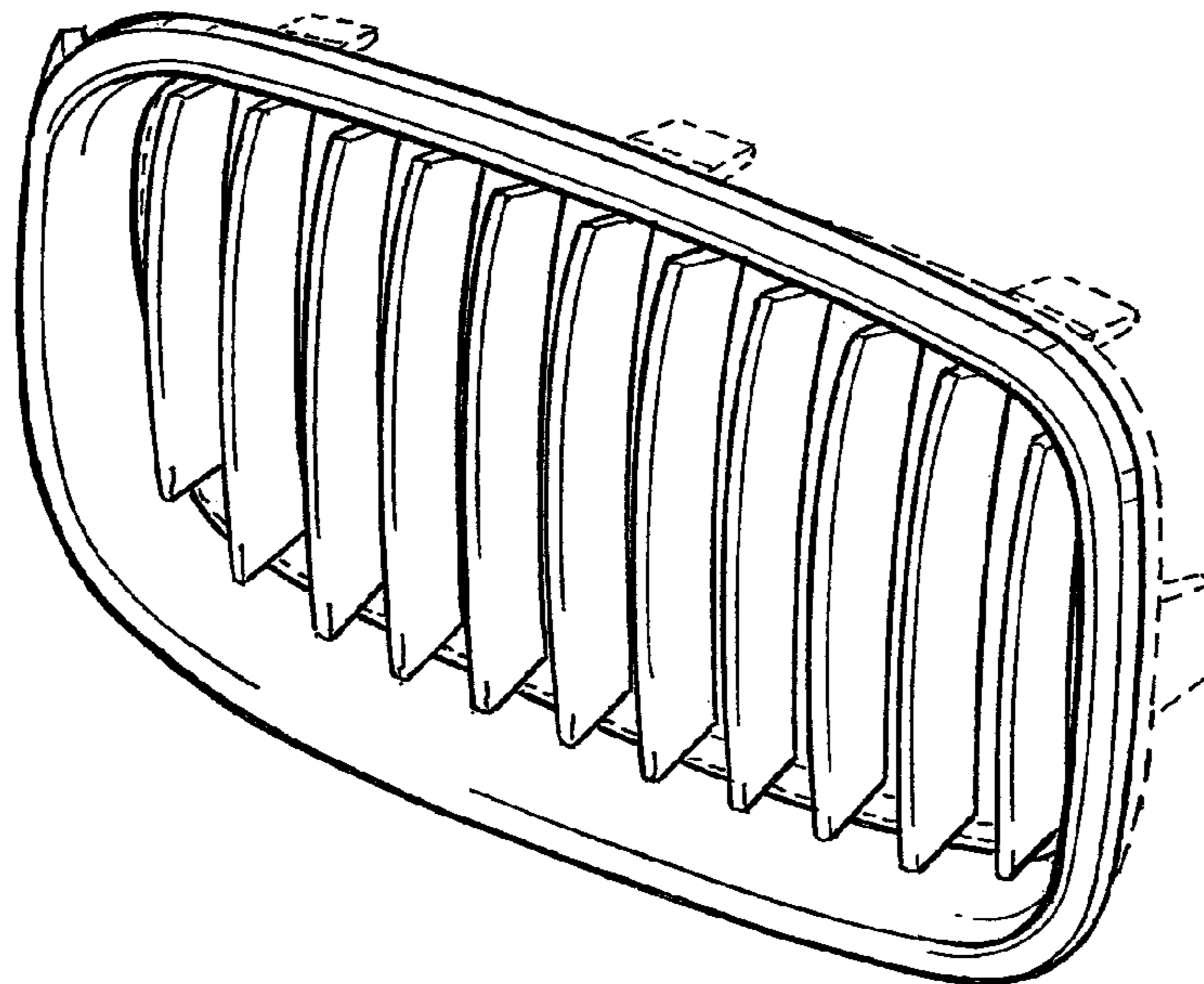


FIG. 7



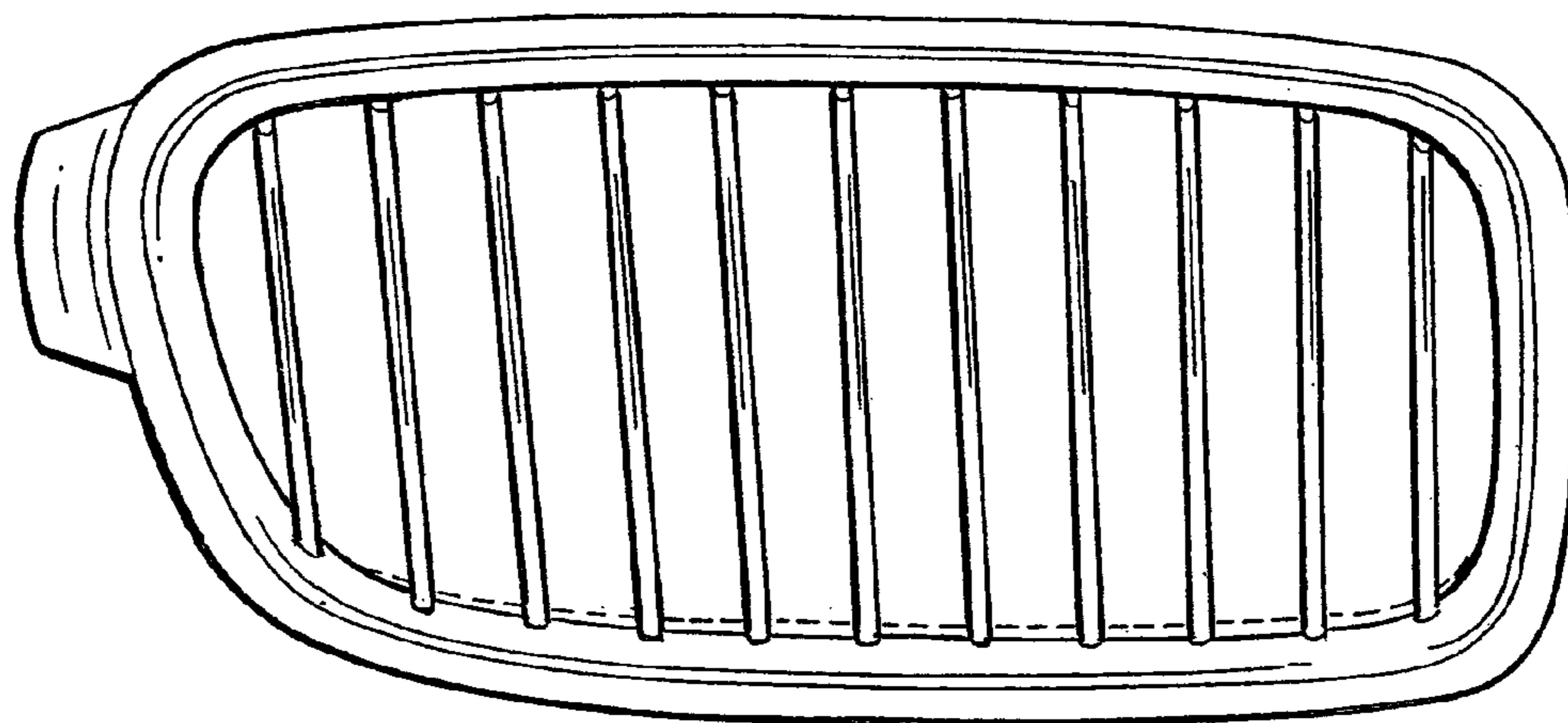


FIG. 8

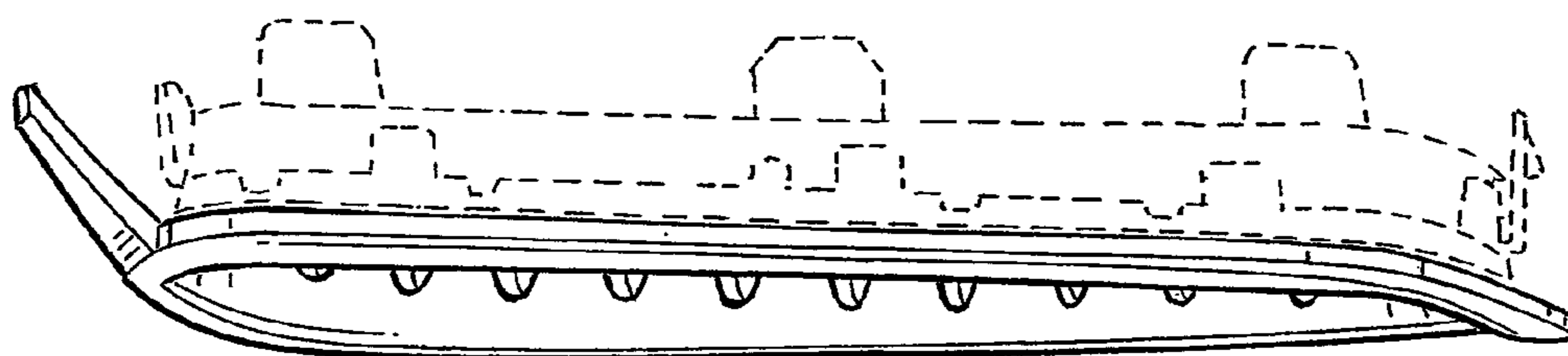


FIG. 9

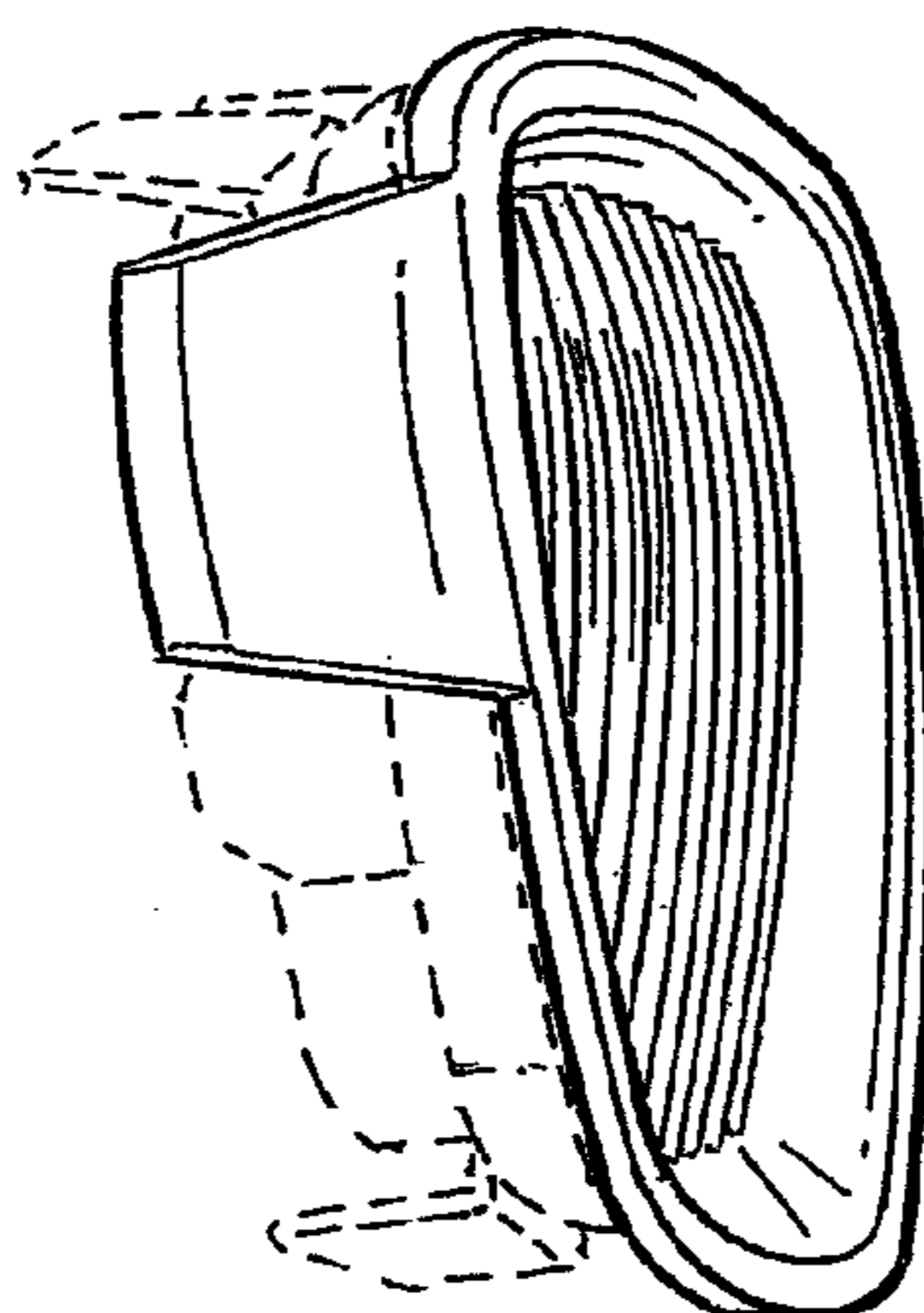


FIG. 10