



US00D686542S

(12) **United States Design Patent**  
**Svensson et al.**

(10) **Patent No.:** **US D686,542 S**  
(45) **Date of Patent:** **\*\* Jul. 23, 2013**

(54) **VEHICLE FRONT UPPER GRILLE**

D616,793 S \* 6/2010 Lamm et al. .... D12/163  
D644,967 S \* 9/2011 Tonello ..... D12/163  
D672,290 S \* 12/2012 Lamm ..... D12/163

(75) Inventors: **Christopher Svensson**, Cold Norton (GB); **Paul Campbell**, South Benfleet (GB); **Paul Wraith**, Colchester (GB)

\* cited by examiner

(73) Assignee: **Ford Global Technologies, LLC**, Dearborn, MI (US)

*Primary Examiner* — Melody Brown

(74) *Attorney, Agent, or Firm* — Damian Porcari

(\*\*) Term: **14 Years**

(57) **CLAIM**

The ornamental design for a vehicle front upper grille, as shown and described.

(21) Appl. No.: **29/404,415**

**DESCRIPTION**

(22) Filed: **Oct. 20, 2011**

(51) **LOC (9) Cl.** ..... **12-16**

(52) **U.S. Cl.**  
USPC ..... **D12/163**

(58) **Field of Classification Search**  
USPC ..... D12/163, 196, 171, 169, 216, 90-92, D12/86; 180/68.1, 68.6; 296/193.11  
See application file for complete search history.

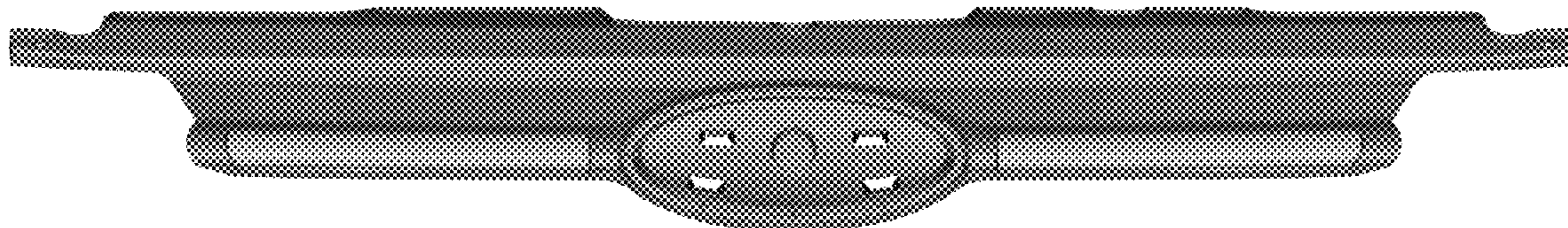
FIG. 1 is a top plan view of a vehicle front upper grille;  
FIG. 2 is a bottom plan view of the vehicle front upper grille;  
FIG. 3 is a front elevational view of the vehicle front upper grille;  
FIG. 4 is a rear elevational view of the vehicle front upper grille;  
FIG. 5 is a left side elevational view of the vehicle front upper grille;  
FIG. 6 is a right side elevational view of the vehicle front upper grille;  
FIG. 7 is a perspective view of the vehicle front upper grille;  
and,  
FIG. 8 is another perspective view of the vehicle front upper grille.

(56) **References Cited**

U.S. PATENT DOCUMENTS

D569,314 S 5/2008 Spearman-Oxx  
D587,174 S 2/2009 Spearman-Oxx  
D603,763 S \* 11/2009 Lamm ..... D12/163  
D605,094 S 12/2009 Bennett

**1 Claim, 8 Drawing Sheets**



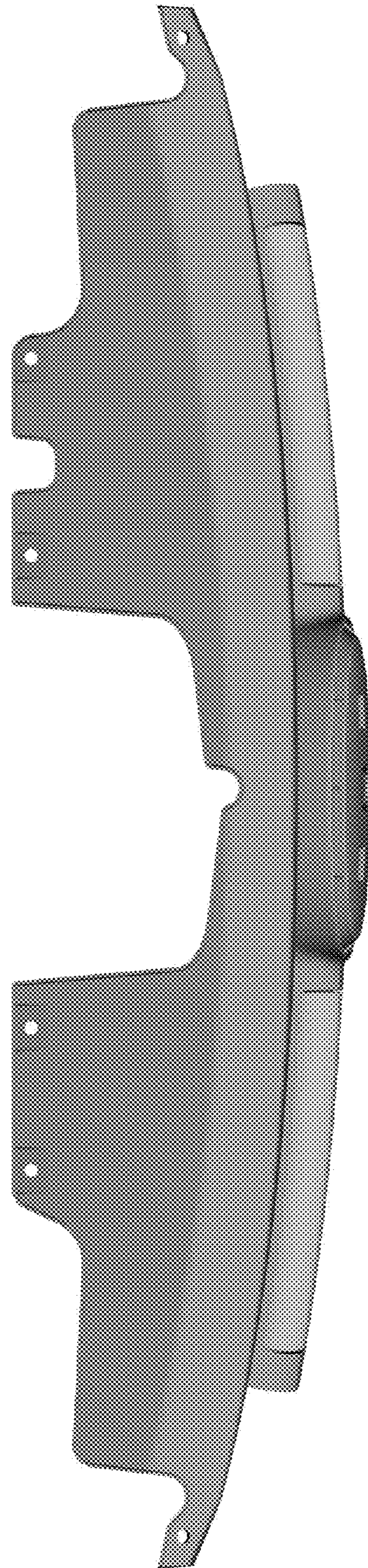


Figure 1



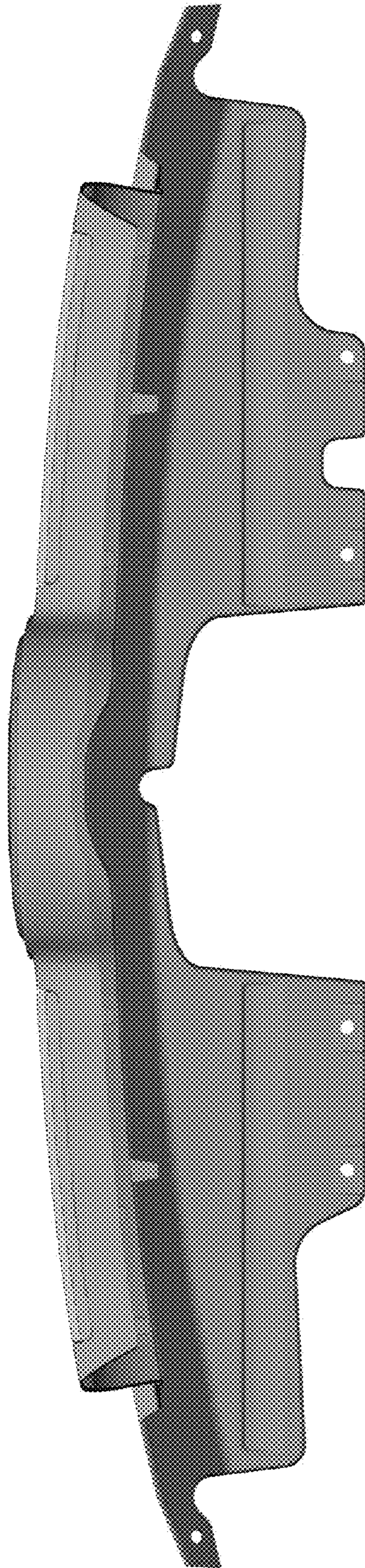


Figure 2

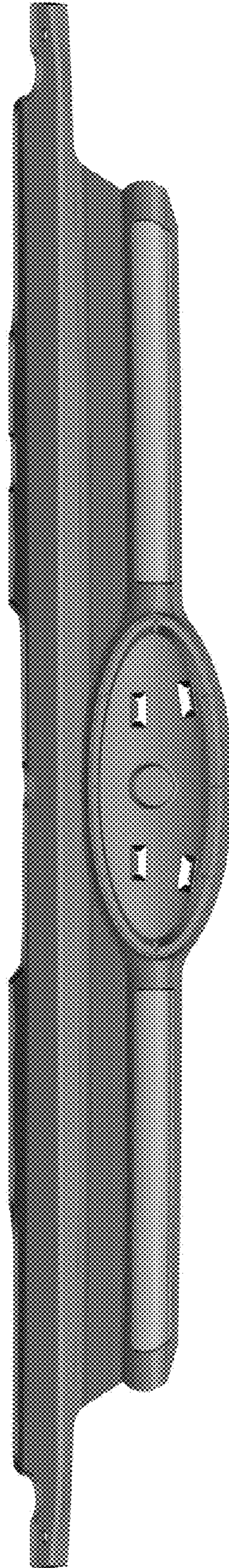


Figure 3



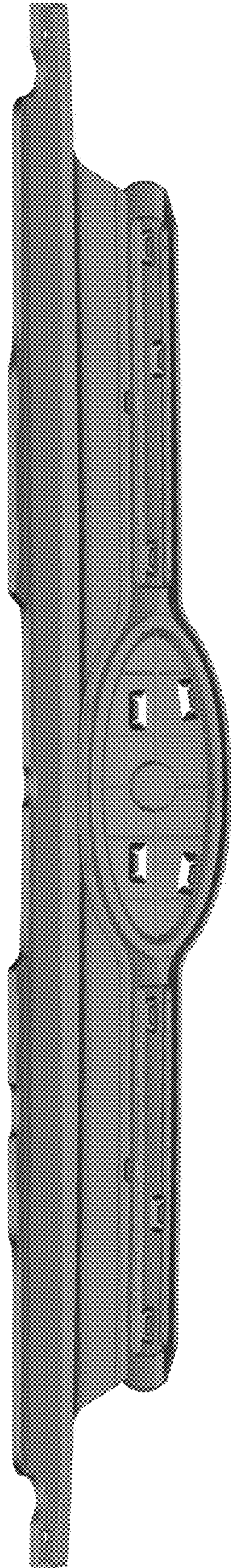


Figure 4

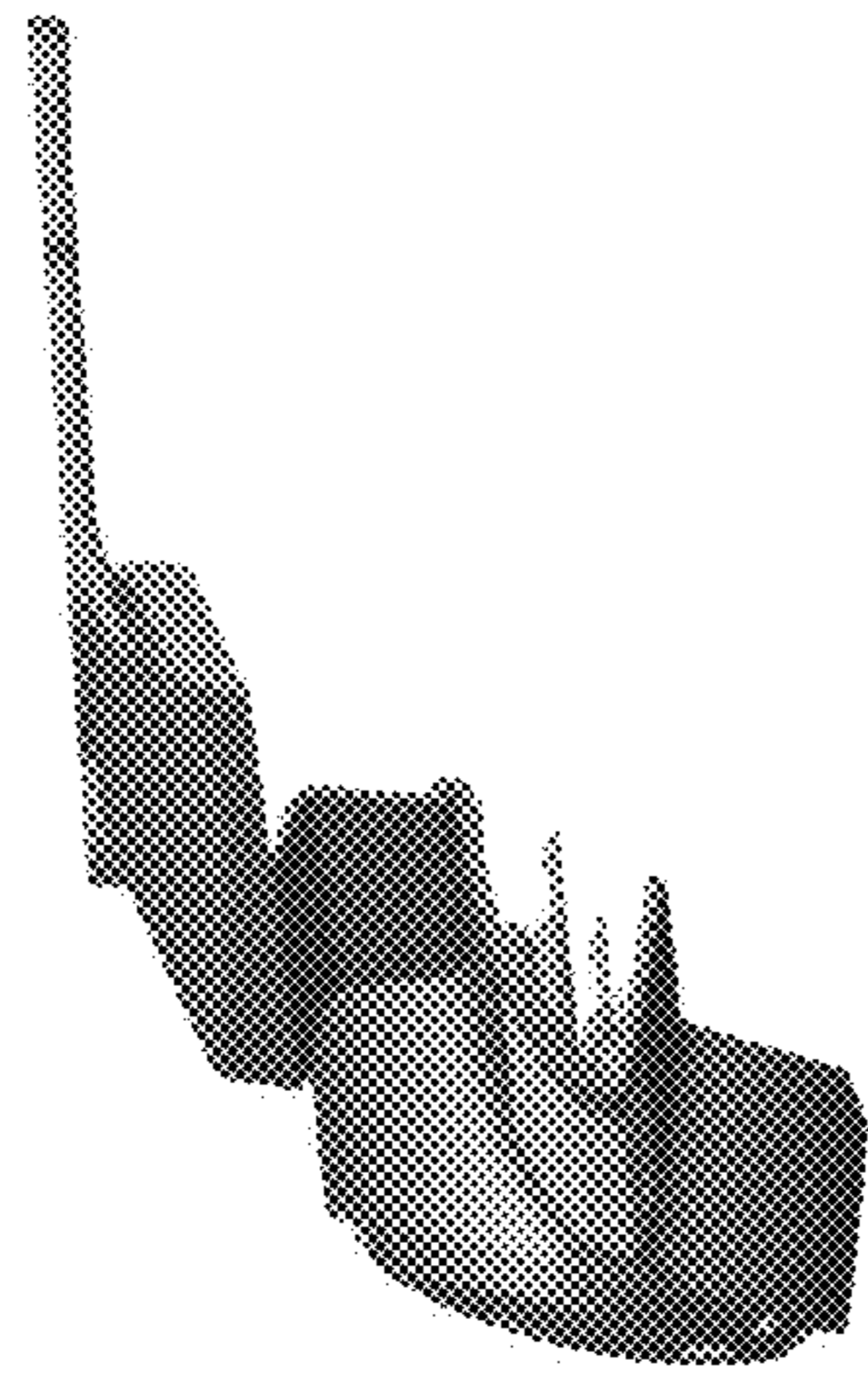


Figure 5



Figure 6



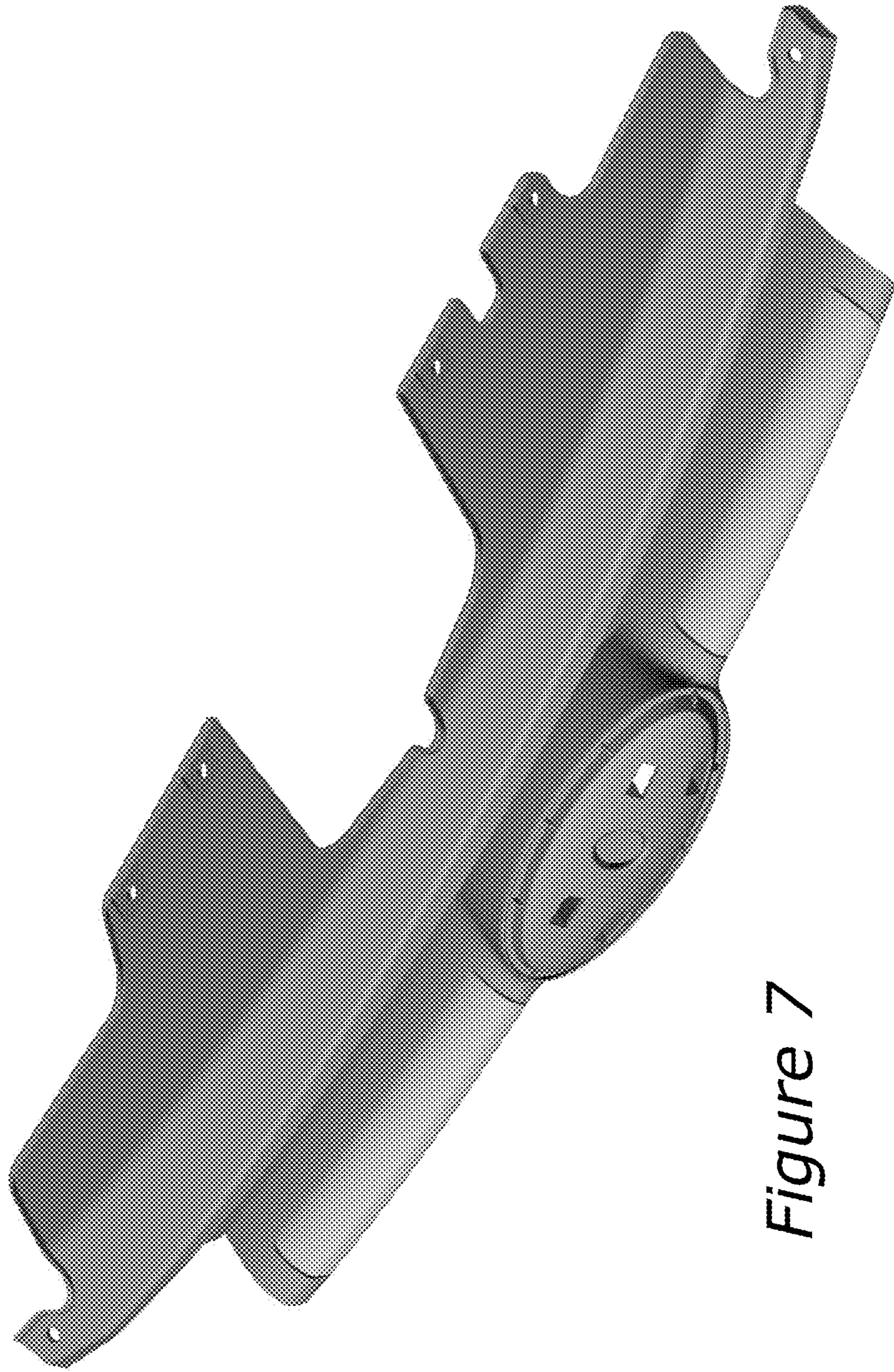


Figure 7



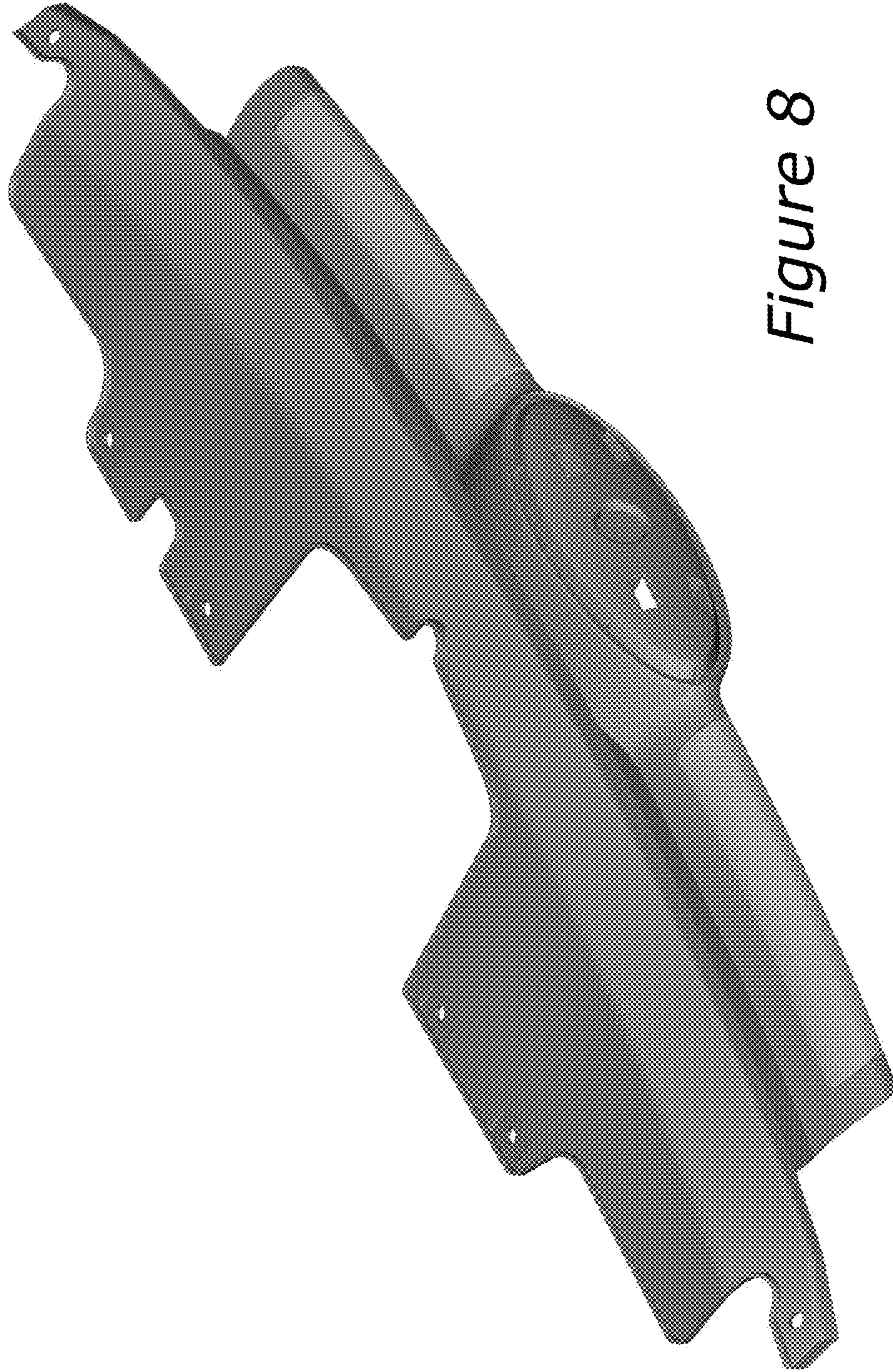


Figure 8