



US00D686541S

(12) **United States Design Patent**
Lai

(10) **Patent No.:** **US D686,541 S**

(45) **Date of Patent:** **** Jul. 23, 2013**

(54) **TWIN BABY BUGGY**

7,516,966 B2 * 4/2009 Gray 280/47.38
D598,333 S * 8/2009 Li et al. D12/129

(76) Inventor: **Chin-I Lai**, Tainan (TW)

* cited by examiner

(**) Term: **14 Years**

Primary Examiner — Ian Simmons

Assistant Examiner — Charles Hanson

(21) Appl. No.: **29/431,979**

(74) *Attorney, Agent, or Firm* — Muncy, Geissler, Olds & Lowe, PLLC

(22) Filed: **Sep. 12, 2012**

(51) **LOC (9) Cl.** **12-12**

(52) **U.S. Cl.**

USPC **D12/129**

(58) **Field of Classification Search**

USPC D12/128–133; D21/433; D34/12,
D34/27, 30; 280/62, 647–650, 29, 200, 47.38,
280/250.1, 259, 642, 658; 296/65.03, 65.04;
297/DIG. 4; 135/65–67, 74

See application file for complete search history.

(57) **CLAIM**

The ornamental design for “twin baby buggy,” as shown and described.

DESCRIPTION

FIG. 1 is a perspective view of “twin baby buggy” showing my new design thereof;

FIG. 2 is a front side elevational view thereof;

FIG. 3 is a rear side elevational view thereof;

FIG. 4 is a left side elevational view thereof;

FIG. 5 is a right side elevational view thereof;

FIG. 6 is a top plan view thereof;

FIG. 7 is a bottom plan view thereof; and,

FIG. 8 is a further perspective view thereof.

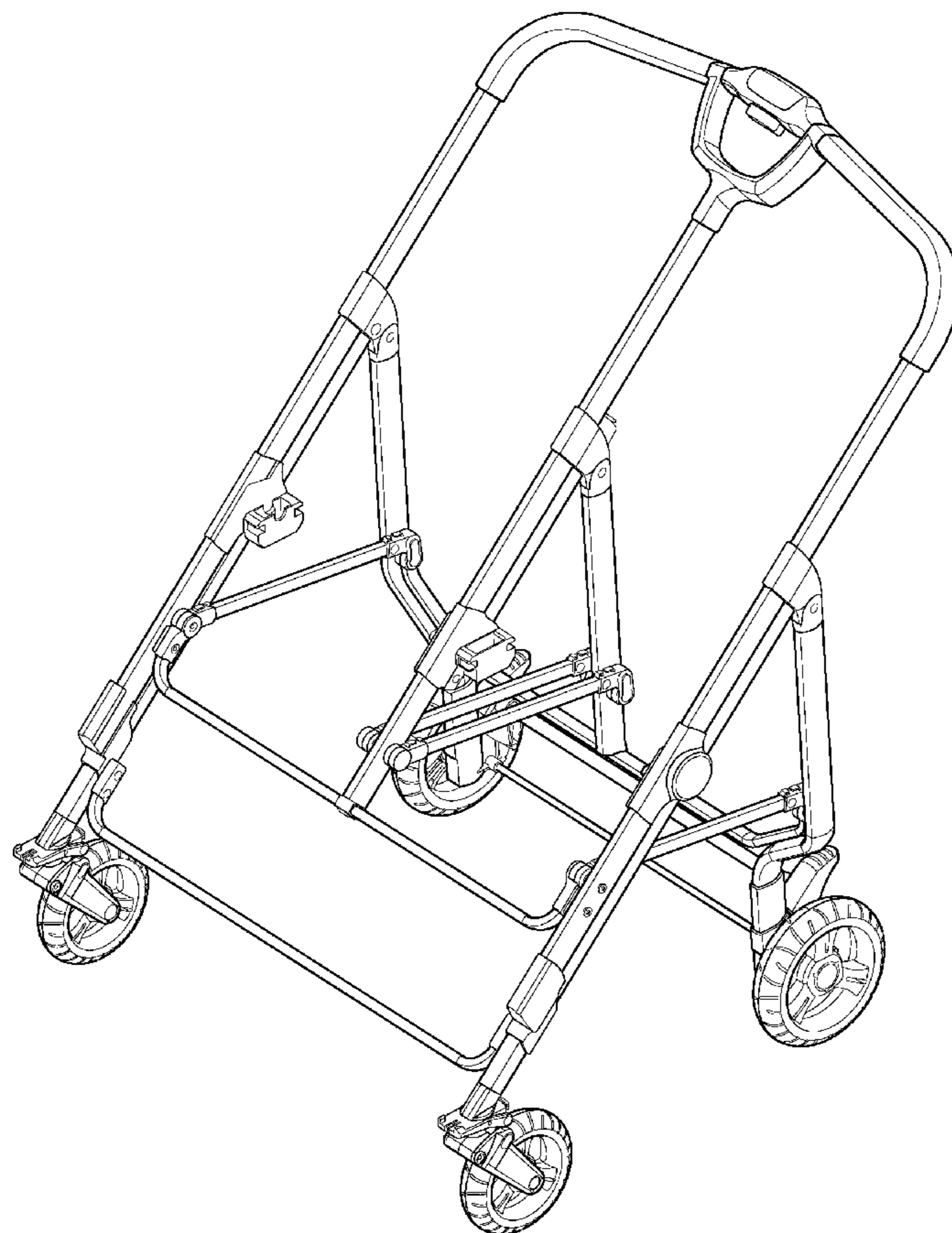
The broken line showing of the child seats is included for the purpose of illustrating environment and forms no part of the claimed design.

(56) **References Cited**

U.S. PATENT DOCUMENTS

D382,516 S * 8/1997 Hutchinson et al. D12/129
5,918,892 A * 7/1999 Aaron et al. 280/47.38
6,431,579 B1 * 8/2002 Kaneko et al. 280/642
6,527,294 B1 * 3/2003 Brewington et al. 280/647
D484,075 S * 12/2003 Kassai D12/129
6,752,405 B1 * 6/2004 Wright 280/47.38

1 Claim, 8 Drawing Sheets



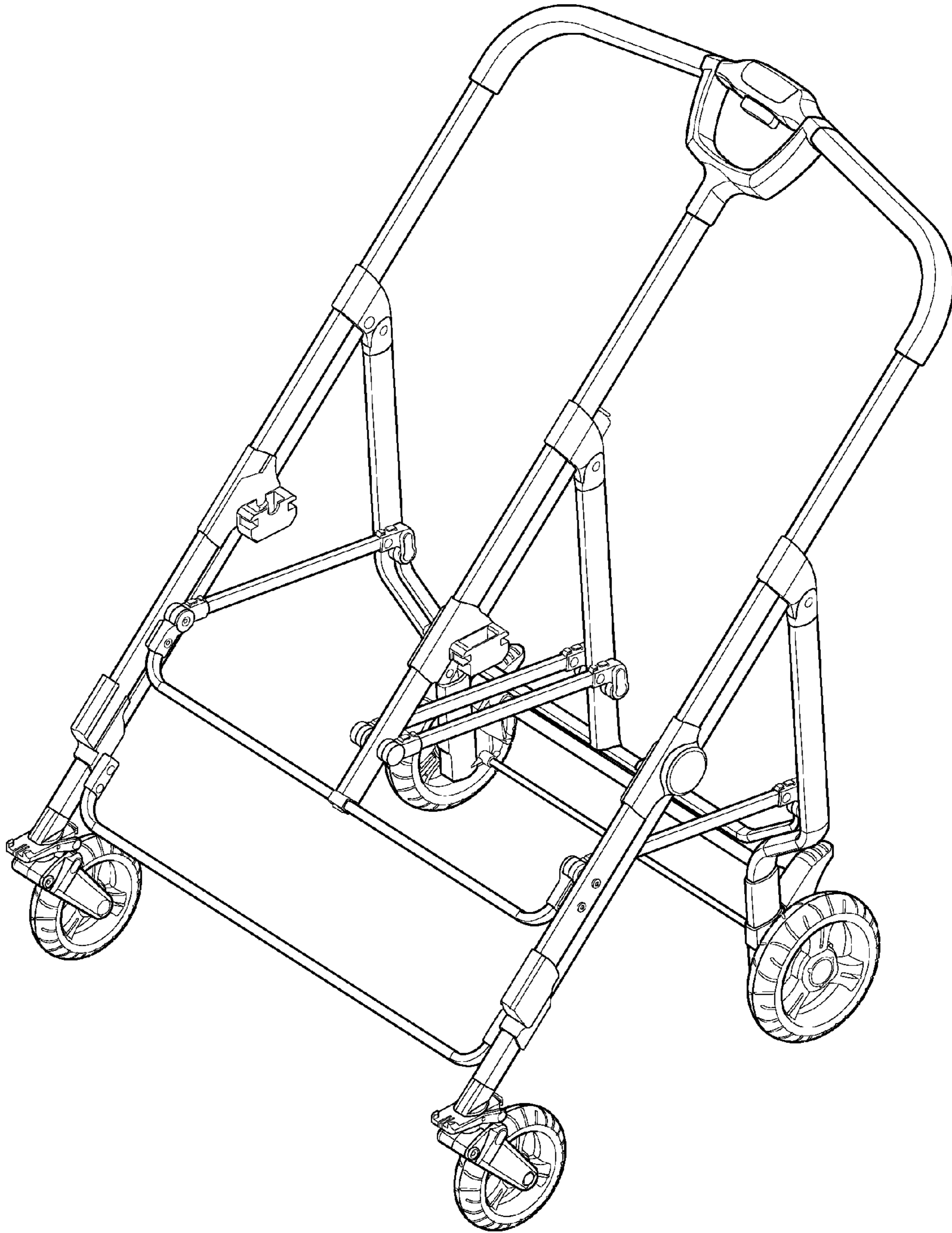


Fig. 1

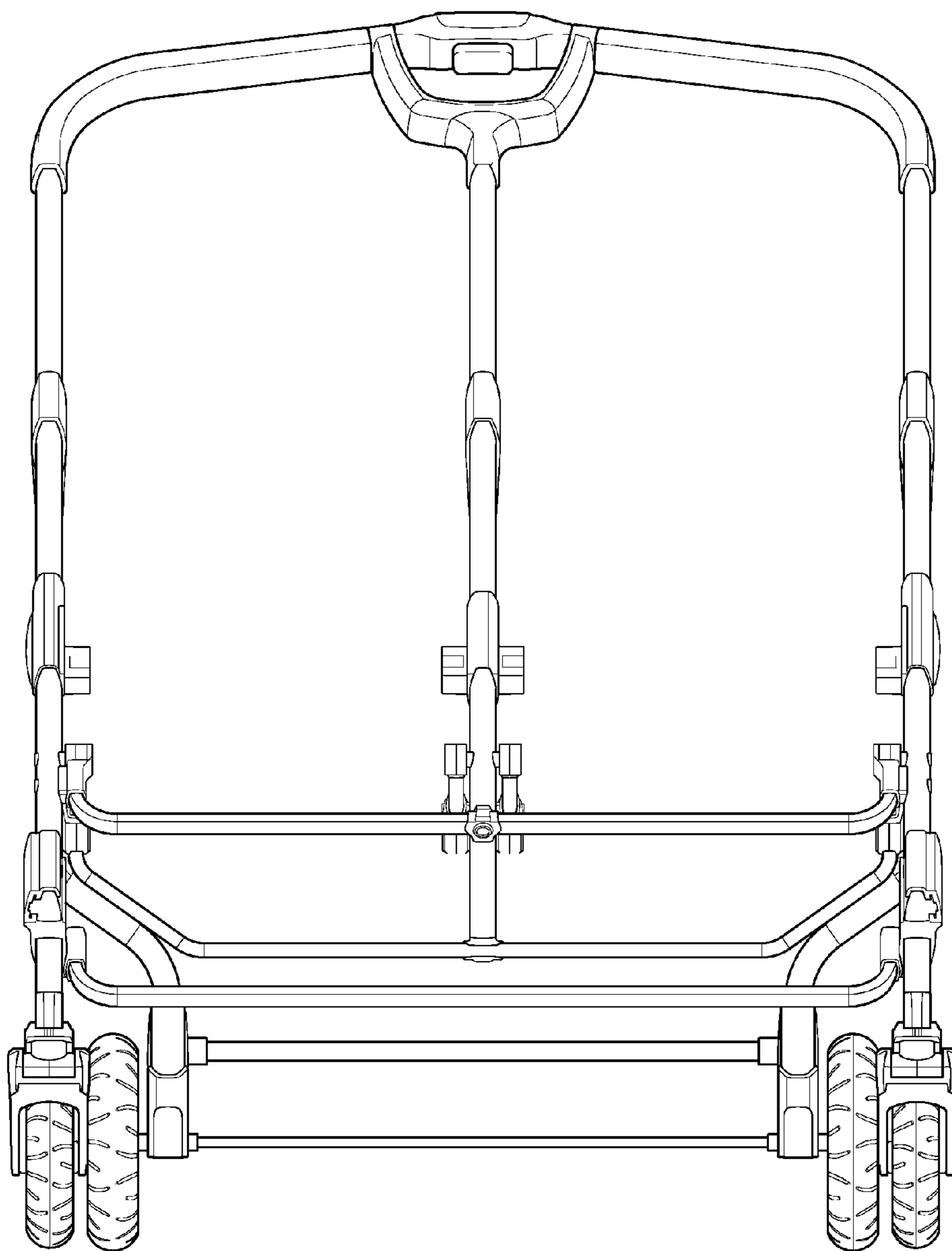


Fig. 2

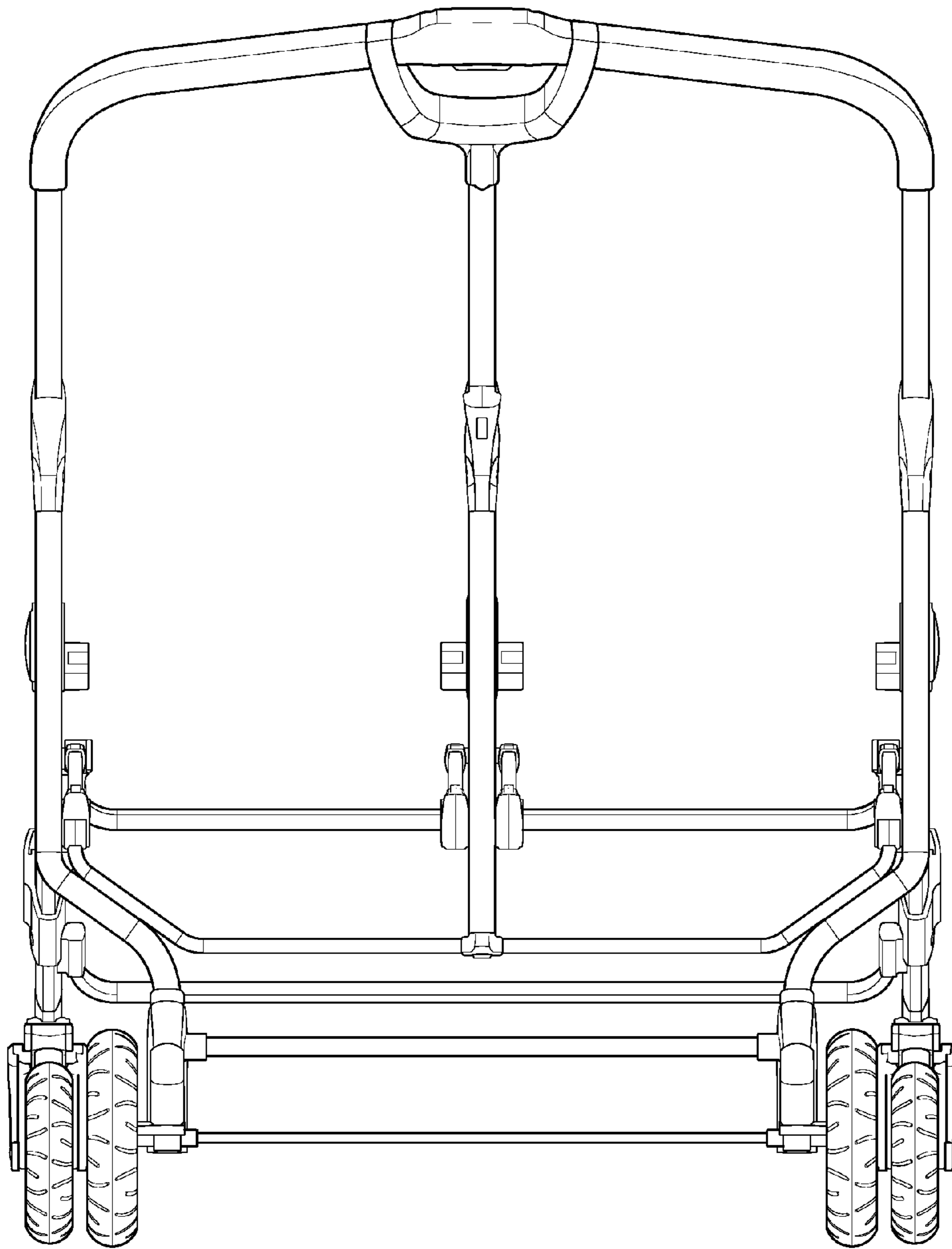


Fig. 3

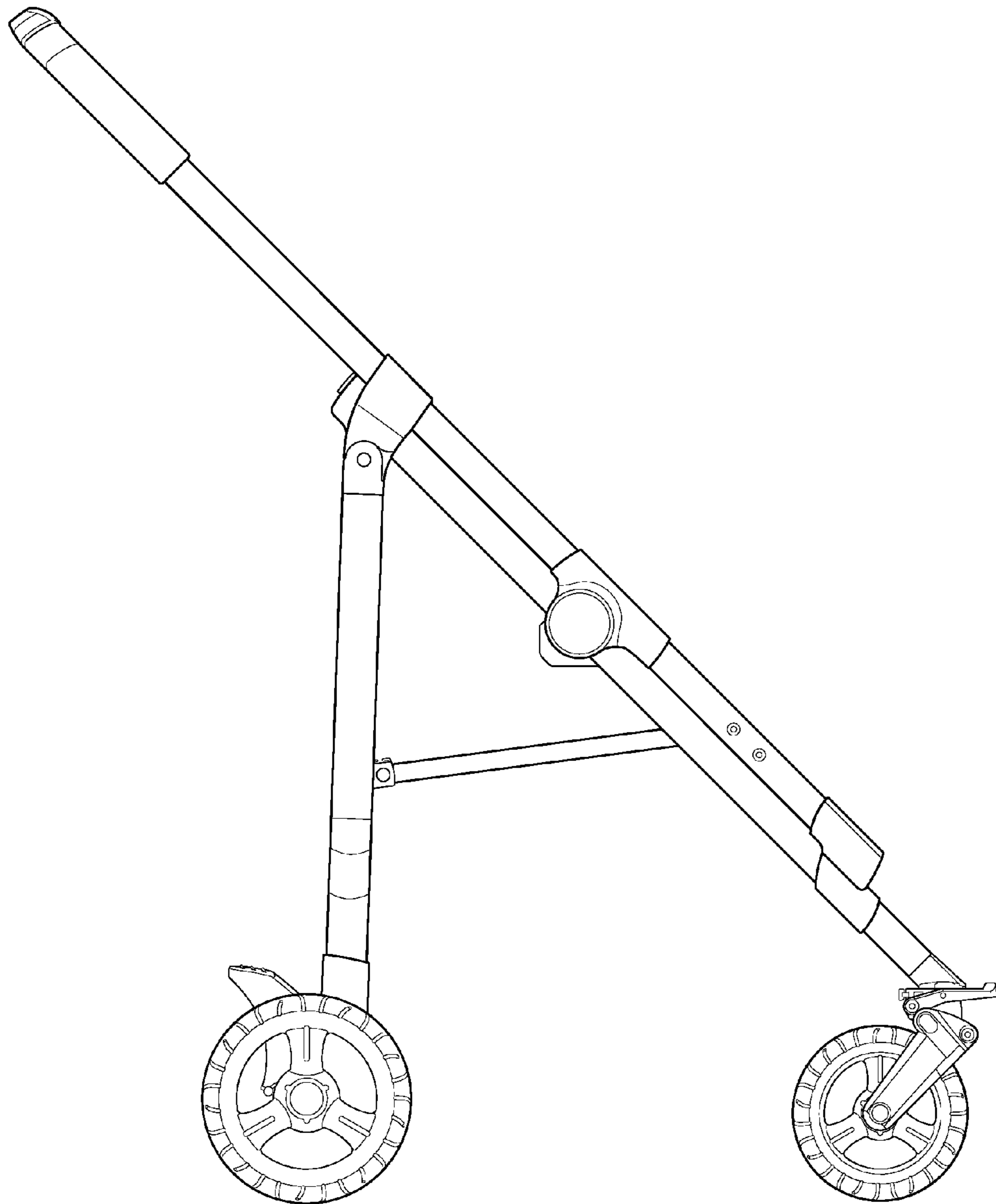


Fig. 4

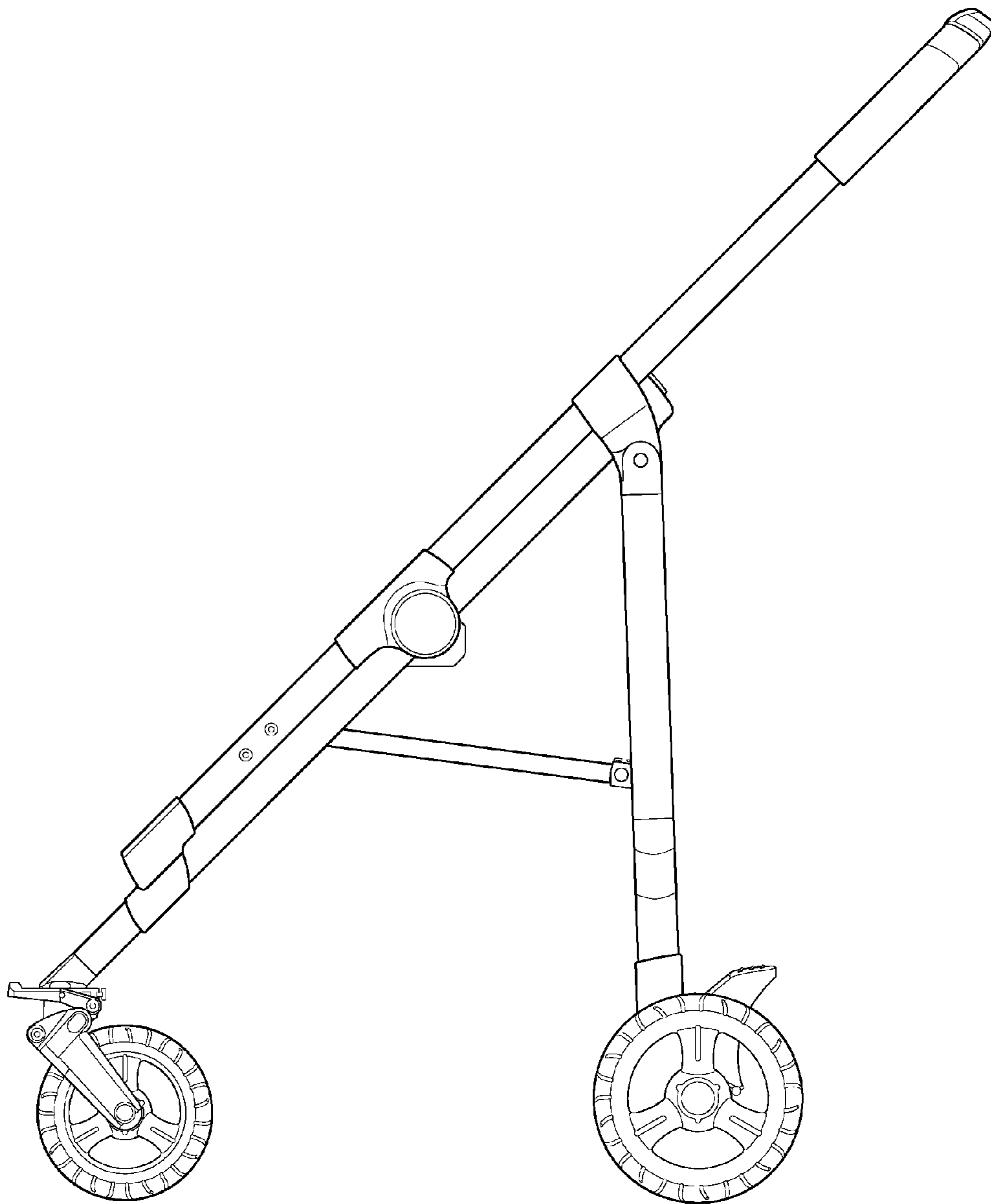


Fig. 5

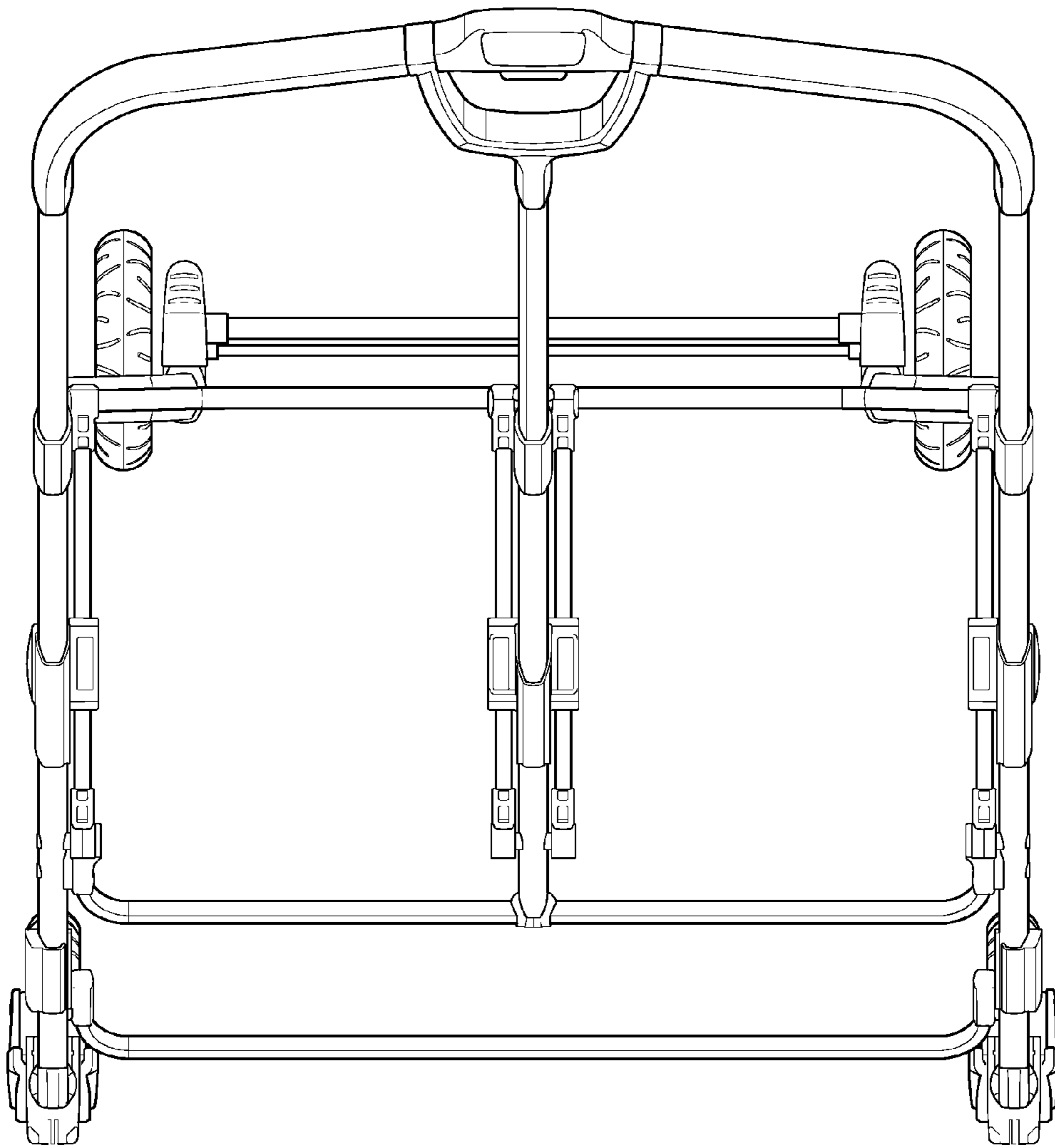


Fig. 6

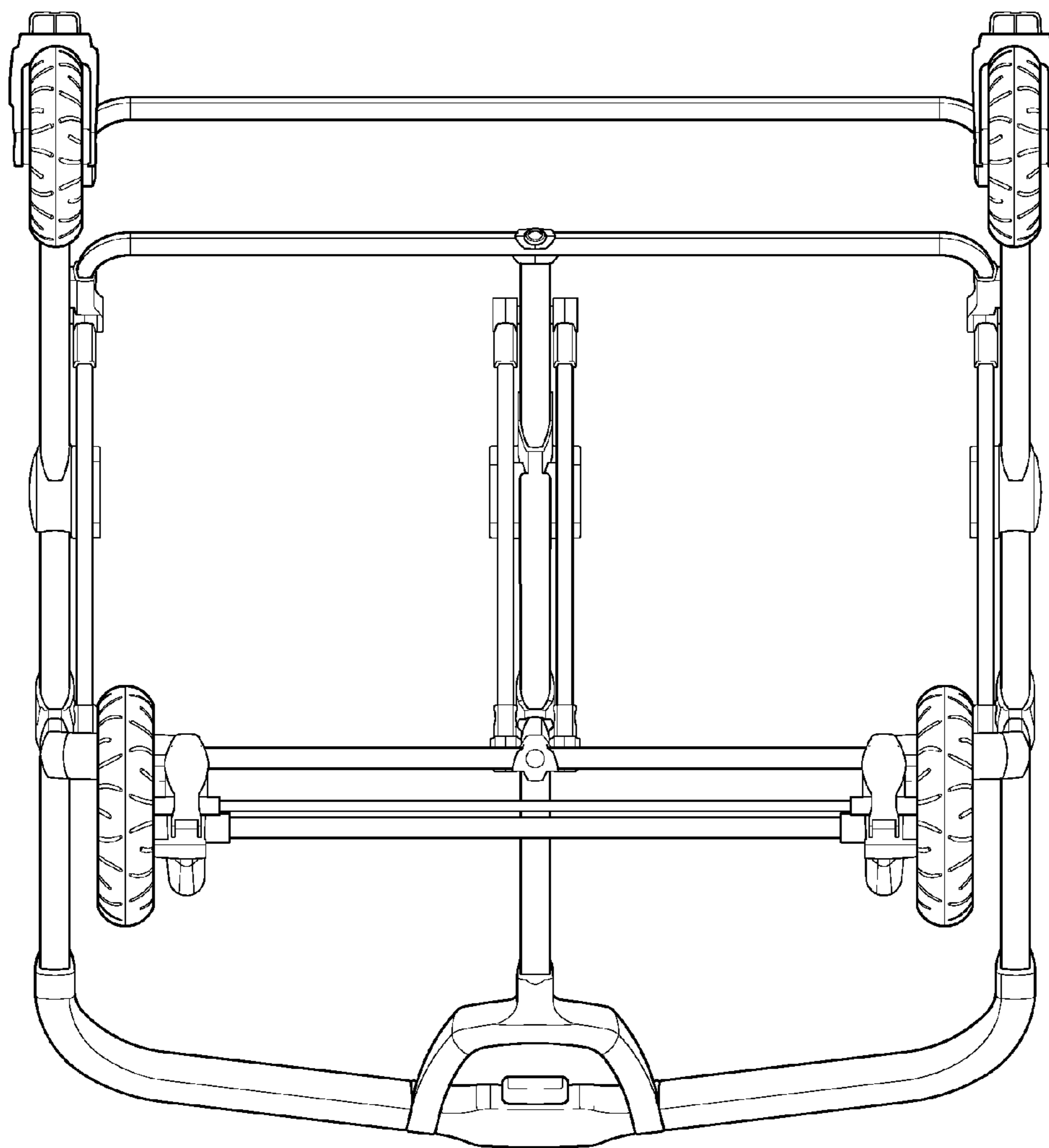


Fig. 7



Fig. 8