



US00D686540S

(12) **United States Design Patent**
Hinderhofer

(10) **Patent No.:** **US D686,540 S**
(45) **Date of Patent:** **** Jul. 23, 2013**

(54) **ELECTRIC BICYCLE**

(71) Applicant: **Juergen Hinderhofer**, Biberach (DE)

(72) Inventor: **Juergen Hinderhofer**, Biberach (DE)

(73) Assignee: **Emo-bike GmbH & Co.KG**, Biberach (DE)

(**) Term: **14 Years**

(21) Appl. No.: **29/435,217**

(22) Filed: **Oct. 22, 2012**

(30) **Foreign Application Priority Data**

May 21, 2012 (EM) 002044461

(51) **LOC (9) Cl.** **12-11**

(52) **U.S. Cl.**
USPC **D12/111**

(58) **Field of Classification Search**

USPC D12/111, 110, 117, 119; 280/274–280,
280/283–288, 288.1–288.4, 281.1, 210, 212,
280/214, 215, 230; 180/65.1, 65.29, 68.5,
180/205.1–205.7, 206.1–206.8, 207.1–207.3,
180/221–223, 311, 312, 228, 65.6–65.8,
180/65.31

See application file for complete search history.

(56) **References Cited**

U.S. PATENT DOCUMENTS

5,789,898 A * 8/1998 Suzuki et al. 180/68.5
D434,349 S * 11/2000 Currie et al. D12/111

6,148,944 A * 11/2000 Adomi et al. 180/206.4
6,152,250 A * 11/2000 Shu-Hsien 180/220
6,152,251 A * 11/2000 Nagai et al. 180/220
6,382,651 B1 * 5/2002 Enda 280/288.4
6,629,574 B2 * 10/2003 Turner 180/206.4
D498,438 S * 11/2004 Ying D12/111
7,040,440 B2 * 5/2006 Kurita et al. 180/206.5
D621,302 S * 8/2010 Tanaka et al. D12/111
D621,303 S * 8/2010 Tanaka et al. D12/111
D626,037 S * 10/2010 Thetard D12/111
D650,724 S * 12/2011 Chiang D12/111
2011/0240391 A1 * 10/2011 Bonneville 180/220

* cited by examiner

Primary Examiner — Susan M Lee

Assistant Examiner — Linda G. Brooks

(74) *Attorney, Agent, or Firm* — Andrew Wilford

(57) **CLAIM**

The ornamental design for an electric bicycle, as shown and described.

DESCRIPTION

FIG. 1 is a perspective view from the front of the electric bicycle according to the invention with a hard cover closing both sides of the space below the top tube and above the battery pack;

FIG. 2 is a perspective view from the rear of the bicycle of FIG. 1;

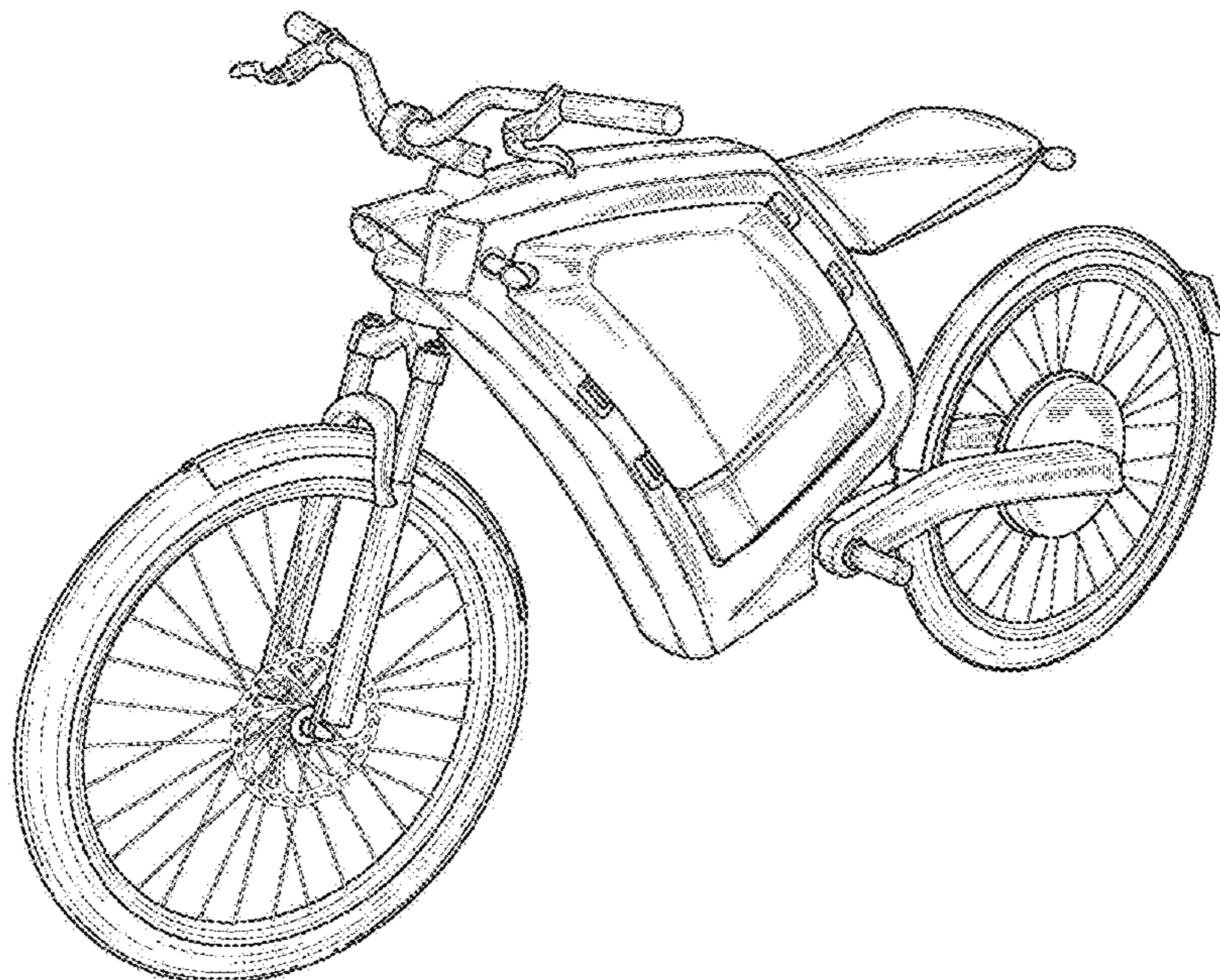
FIG. 3 is another perspective view from the rear of the bicycle of FIG. 1;

FIG. 4 is a right-side elevational view of the bicycle of FIG. 1;

FIG. 5 is a front elevational view of the bicycle of FIG. 1; and,

FIG. 6 is a top view of the bicycle of FIG. 1.

1 Claim, 6 Drawing Sheets



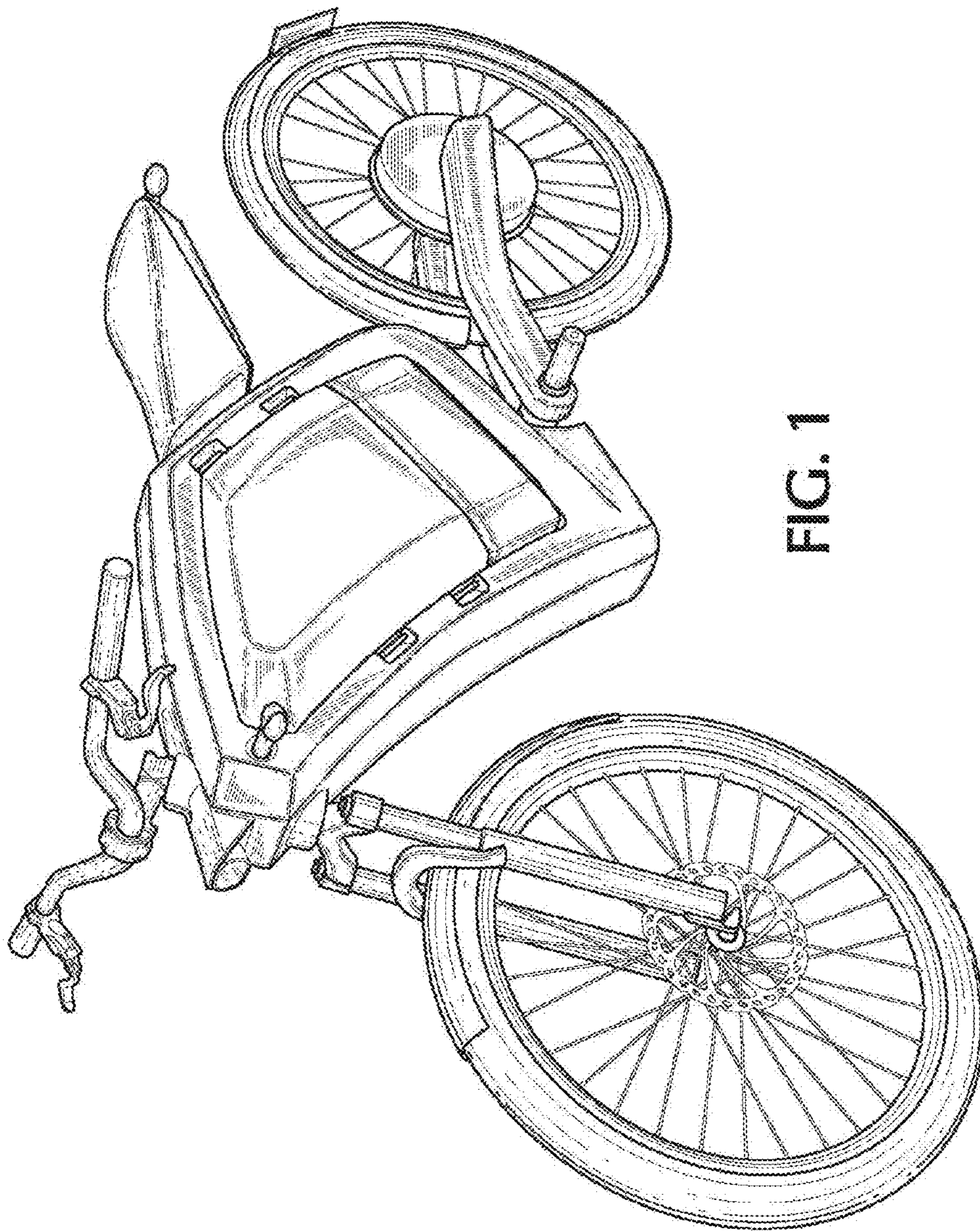
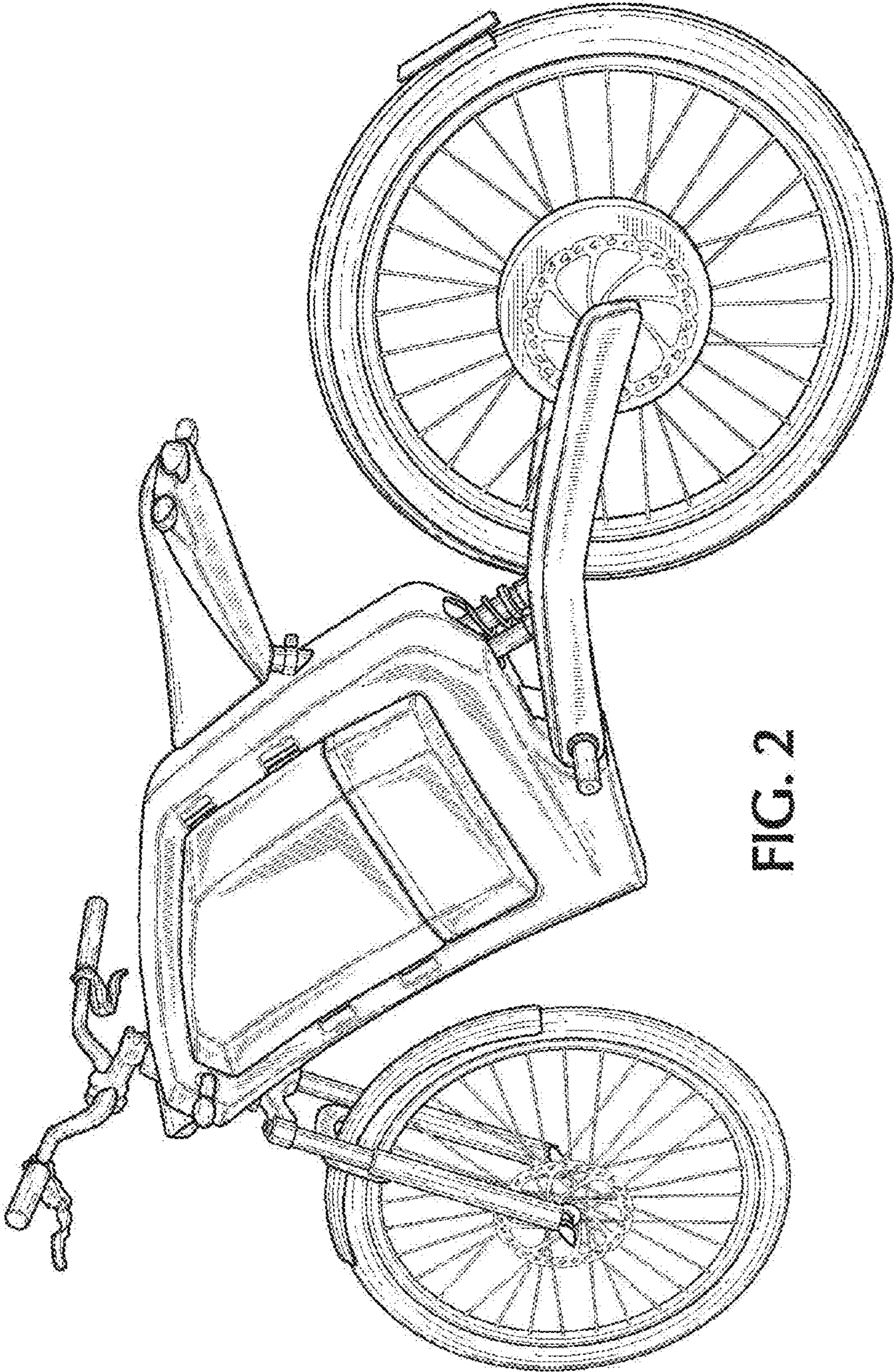


FIG. 1



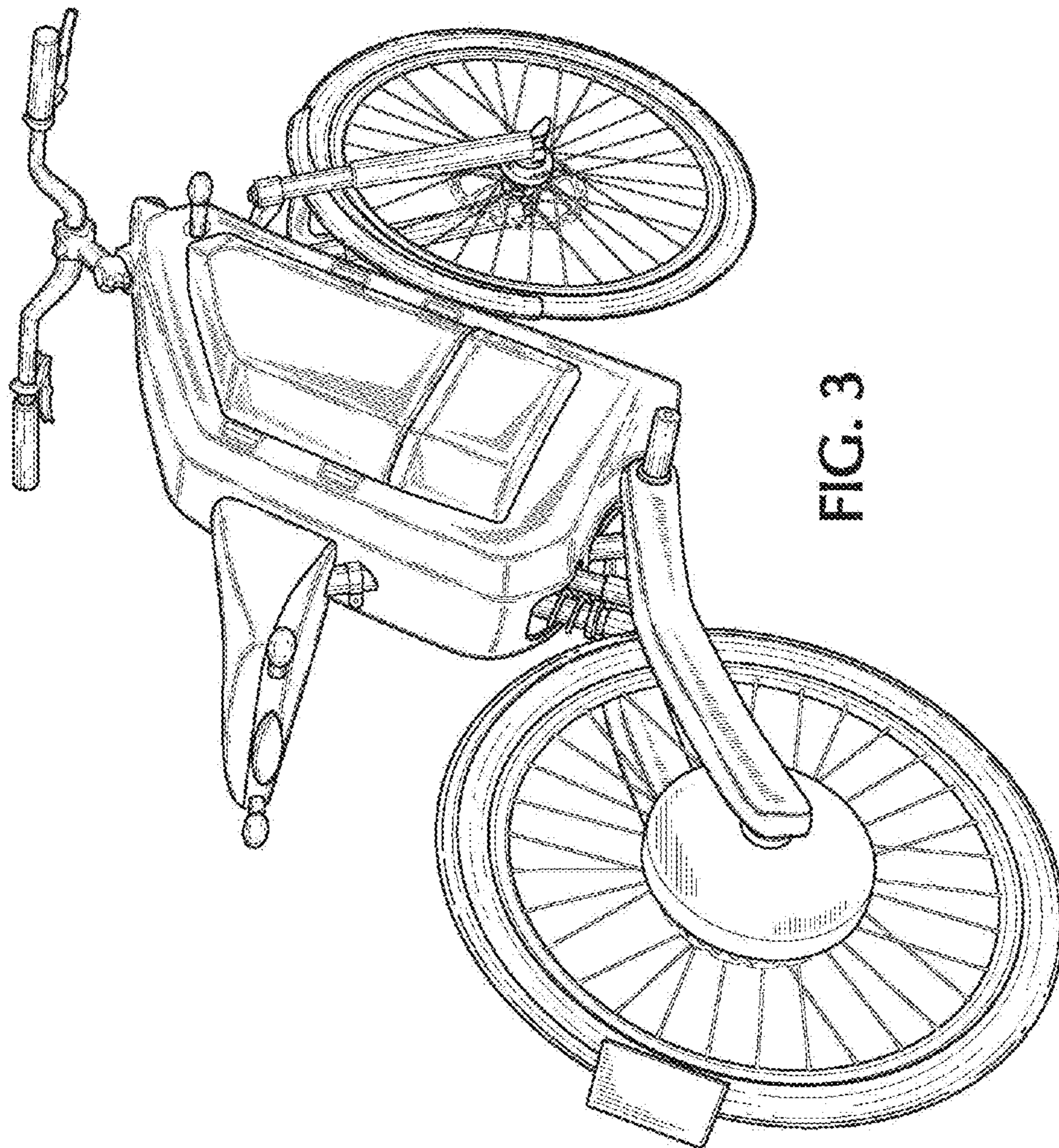


FIG. 3

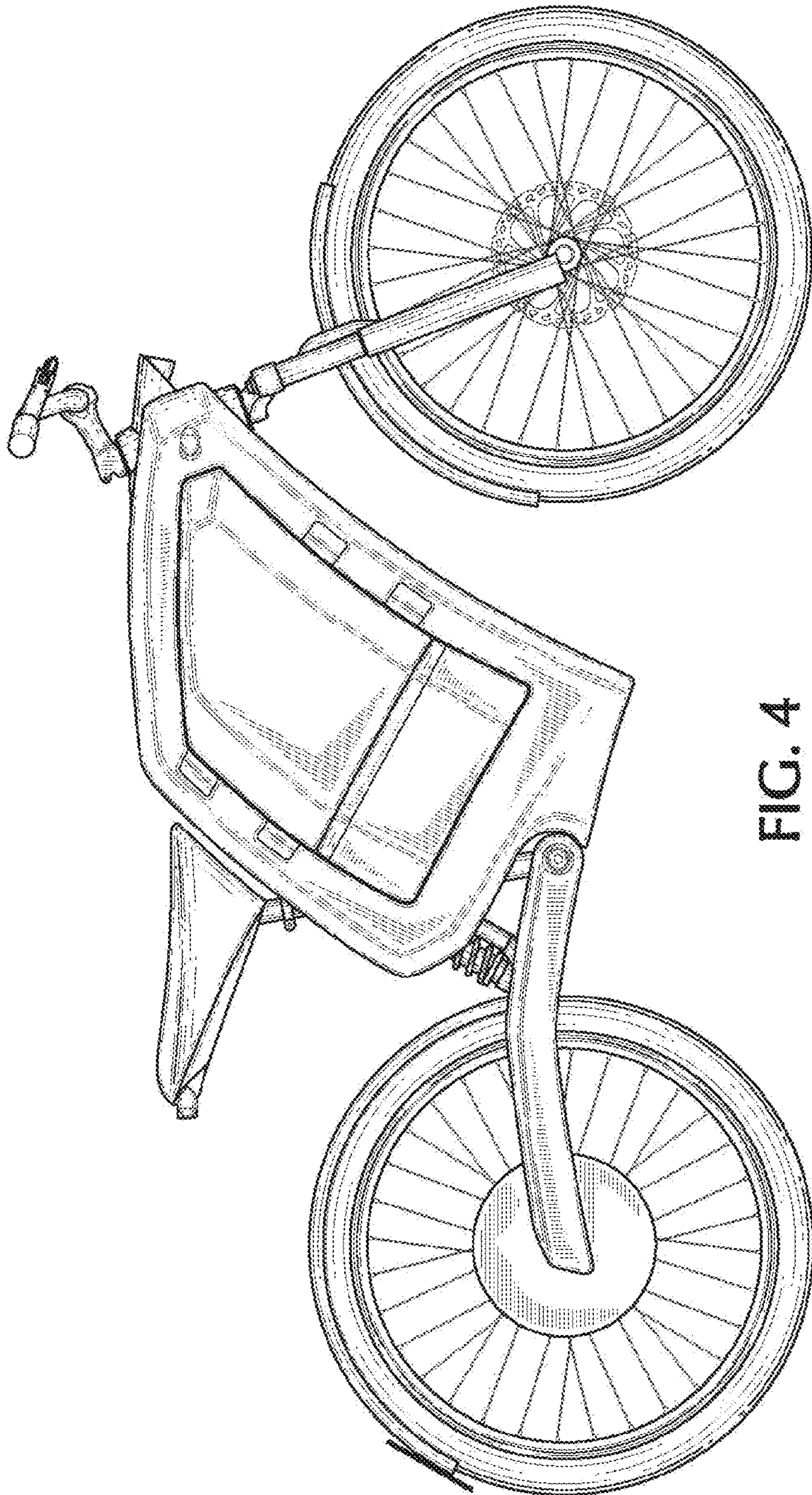


FIG. 4

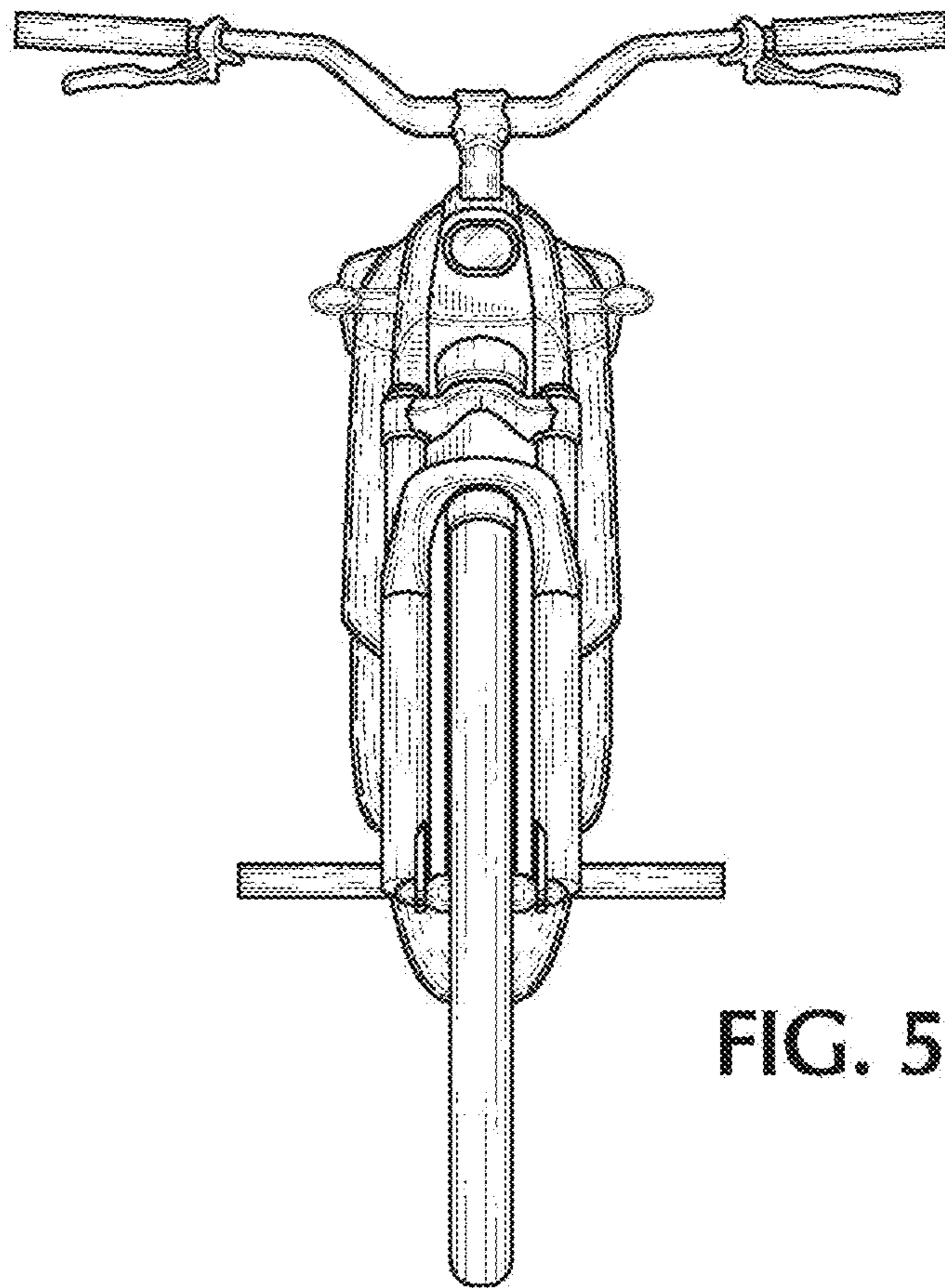


FIG. 5

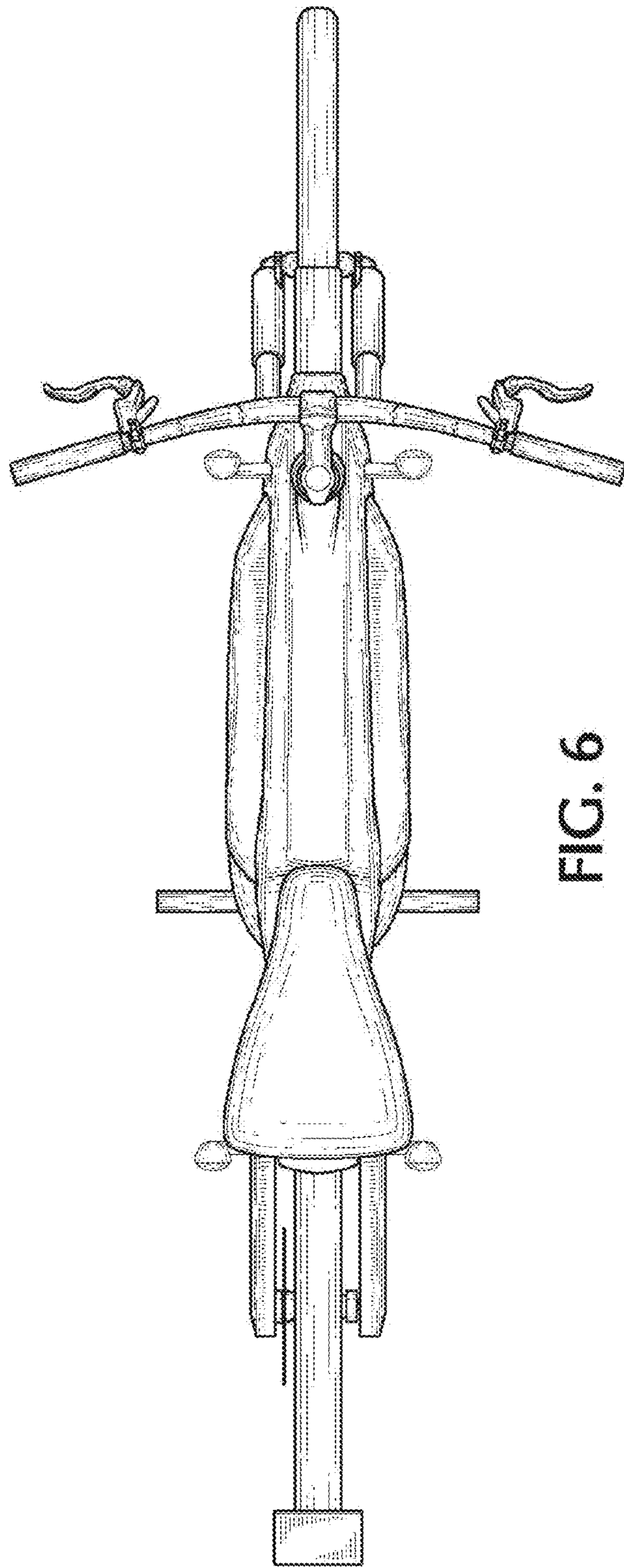


FIG. 6