



US00D686538S

(12) **United States Design Patent**  
**Nagao**

(10) **Patent No.:** **US D686,538 S**  
(45) **Date of Patent:** **\*\* Jul. 23, 2013**

(54) **MOTORCYCLE**

(71) Applicant: **Shigeki Nagao**, Tokyo-to (JP)  
(72) Inventor: **Shigeki Nagao**, Tokyo-to (JP)  
(73) Assignee: **Yamaha Hatsudoki Kabushiki Kaisha**  
(JP)

(\*\*) Term: **14 Years**

(21) Appl. No.: **29/434,117**

(22) Filed: **Oct. 10, 2012**

(30) **Foreign Application Priority Data**

Apr. 10, 2012 (EM) ..... 002022400-0001

(51) **LOC (9) Cl.** ..... **12-11**

(52) **U.S. Cl.**  
USPC ..... **D12/110**

(58) **Field of Classification Search**  
USPC ..... D12/110; 180/219, 220, 225, 229  
See application file for complete search history.

(56) **References Cited**

U.S. PATENT DOCUMENTS

D567,717 S *	4/2008	Hishiki .....	D12/110
D594,786 S *	6/2009	Sakata .....	D12/110
D647,825 S *	11/2011	Shibuta et al. ....	D12/110
D670,207 S *	11/2012	Otombe .....	D12/110

\* cited by examiner

*Primary Examiner* — Susan M Lee

*Assistant Examiner* — Linda G Brooks

(74) *Attorney, Agent, or Firm* — Ostrolenk Faber LLP

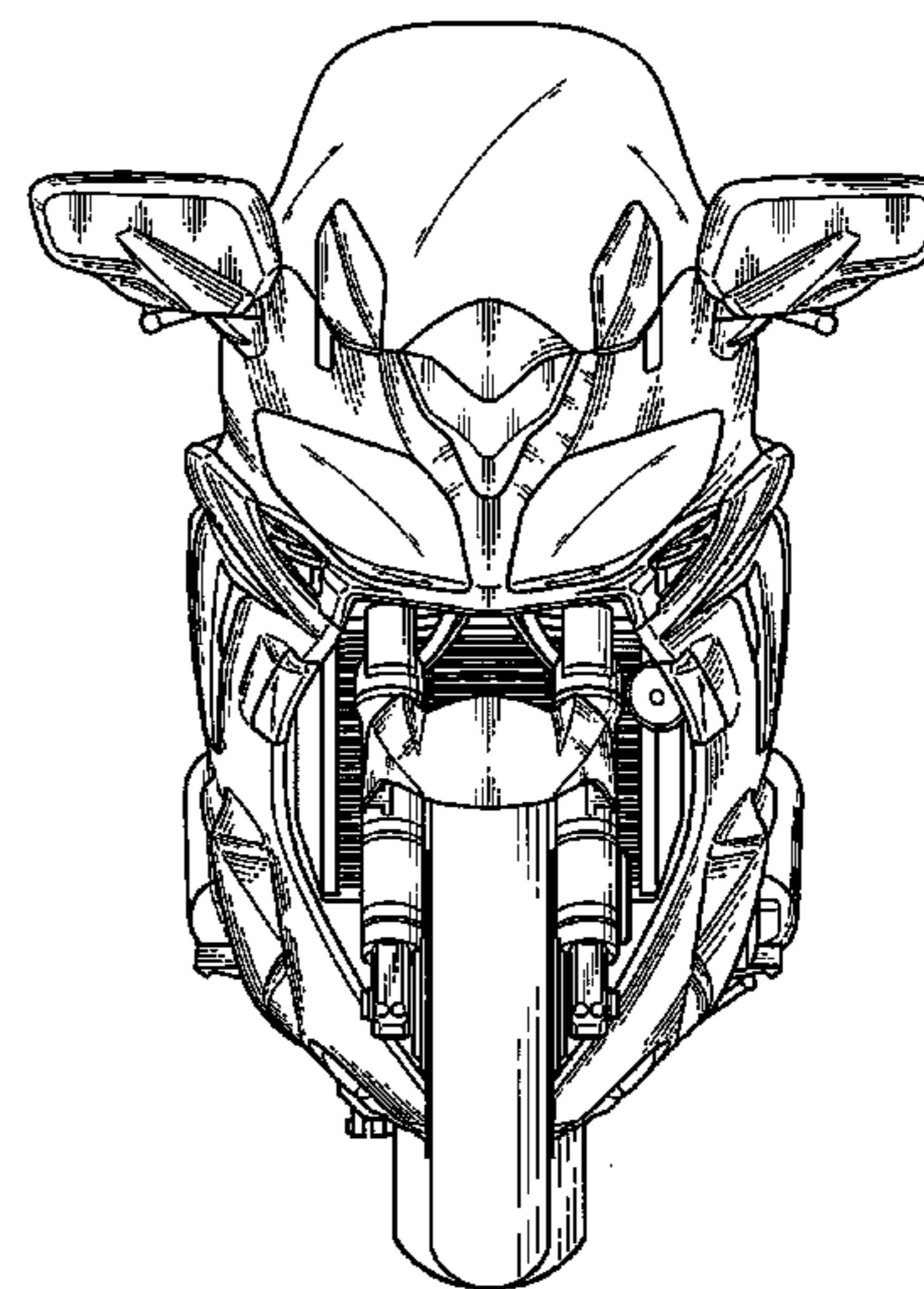
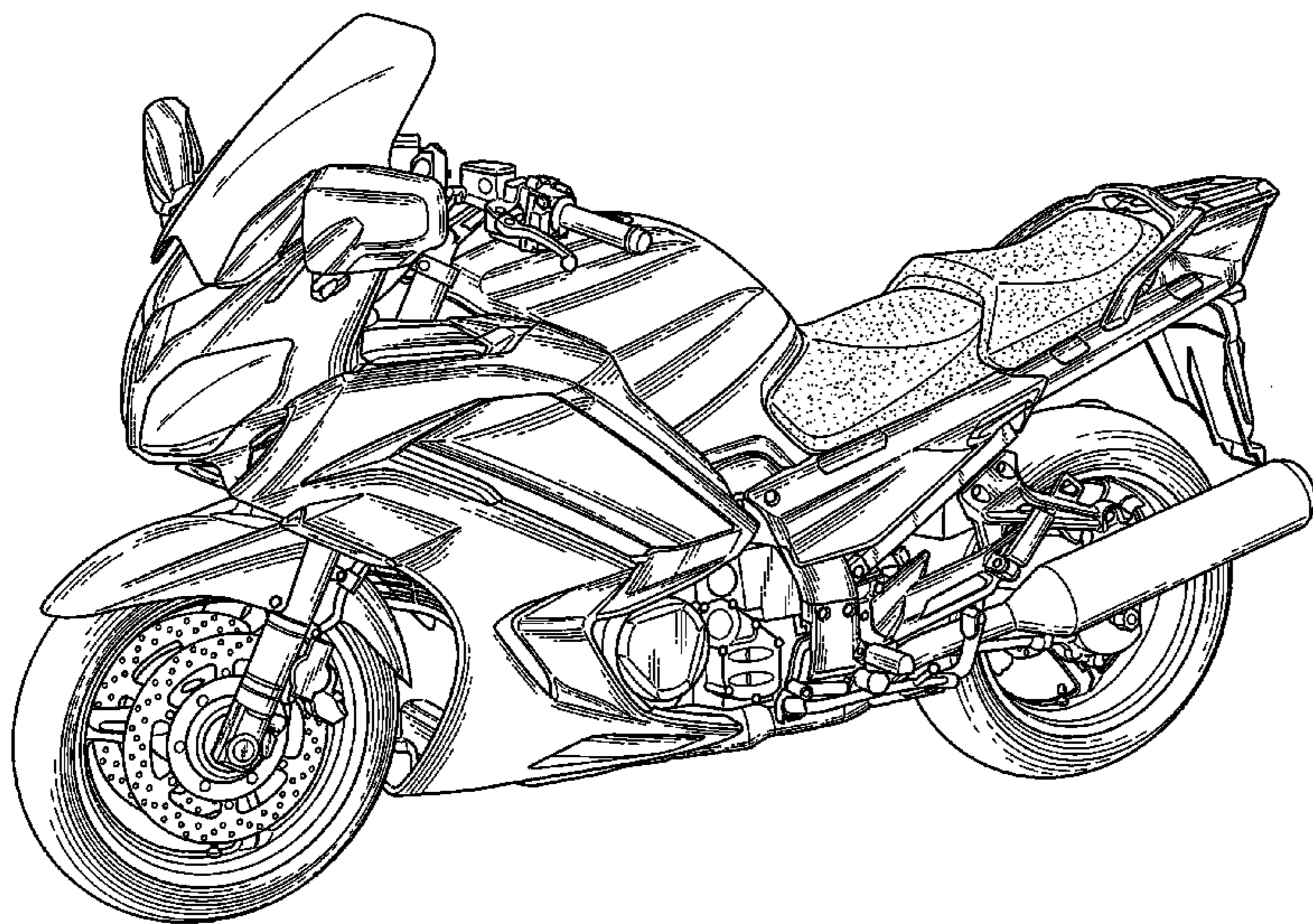
(57) **CLAIM**

The ornamental design for a motorcycle, as shown.

**DESCRIPTION**

FIG. 1 is a left side, front, perspective view of a motorcycle showing my new design;  
FIG. 2 is a right side, rear perspective view thereof;  
FIG. 3 is a left side view thereof;  
FIG. 4 is a right side view thereof;  
FIG. 5 is a front view thereof;  
FIG. 6 is a rear view thereof;  
FIG. 7 is a top view thereof; and,  
FIG. 8 is a bottom view thereof.

**1 Claim, 8 Drawing Sheets**



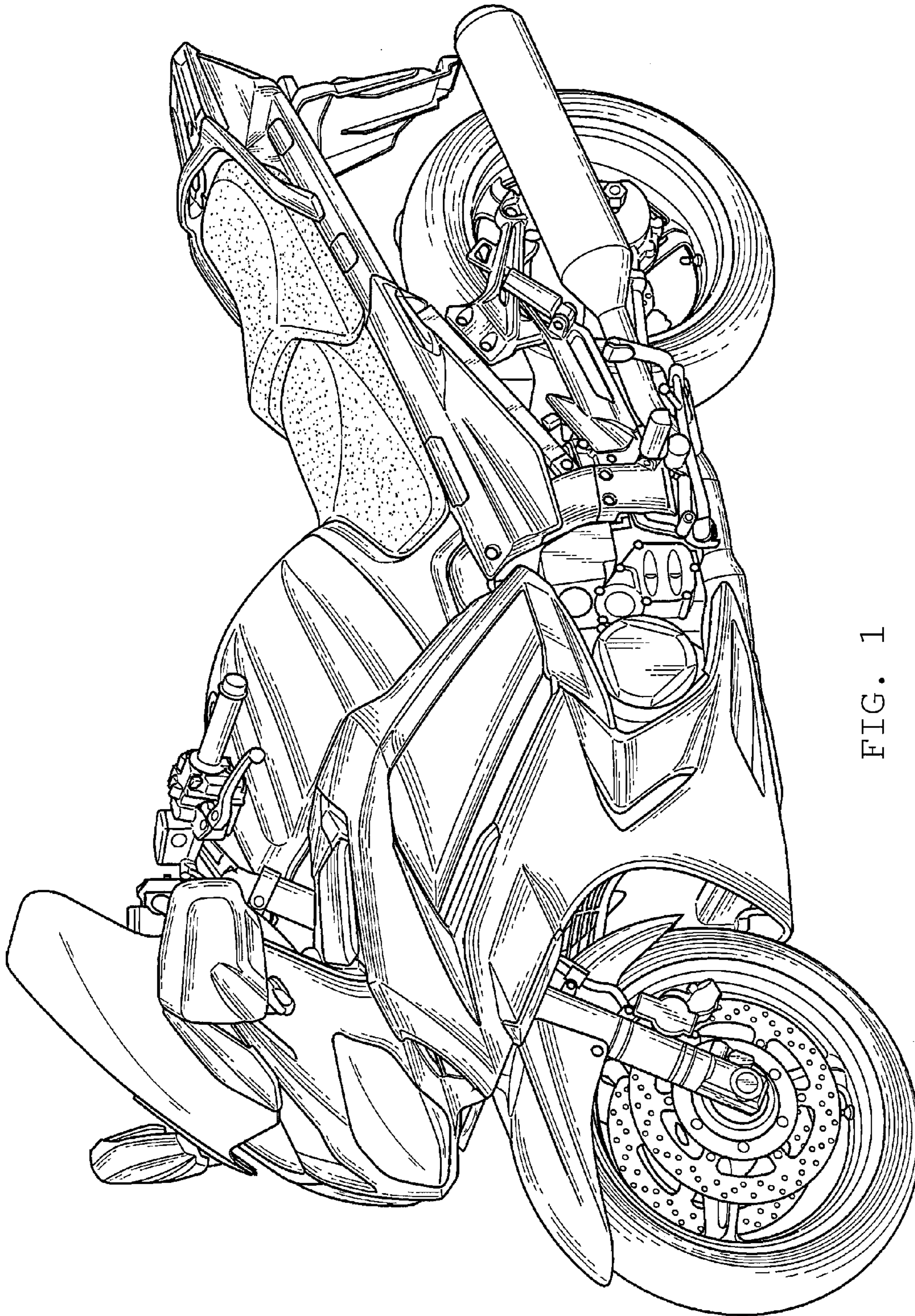


FIG. 1

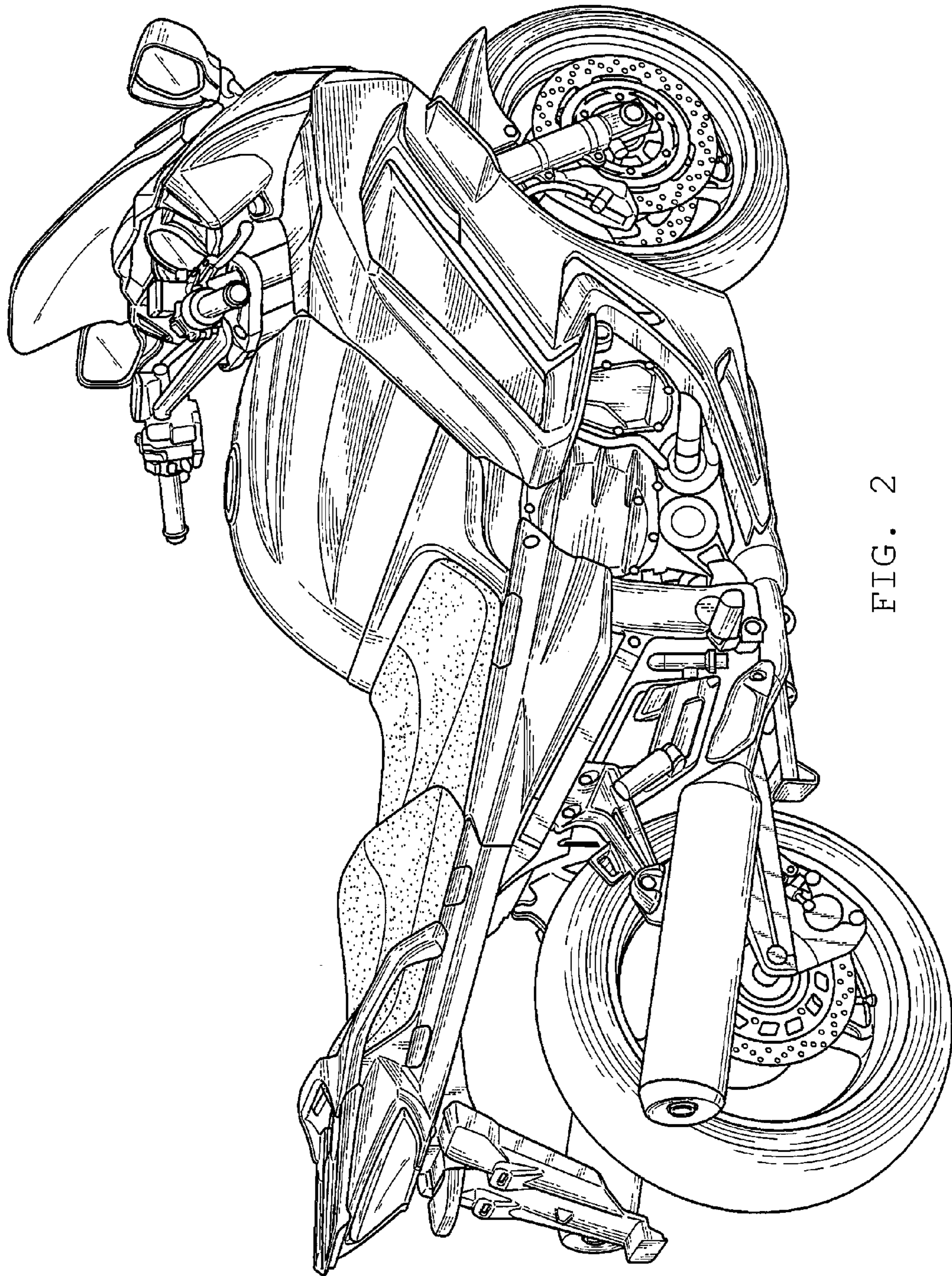


FIG. 2

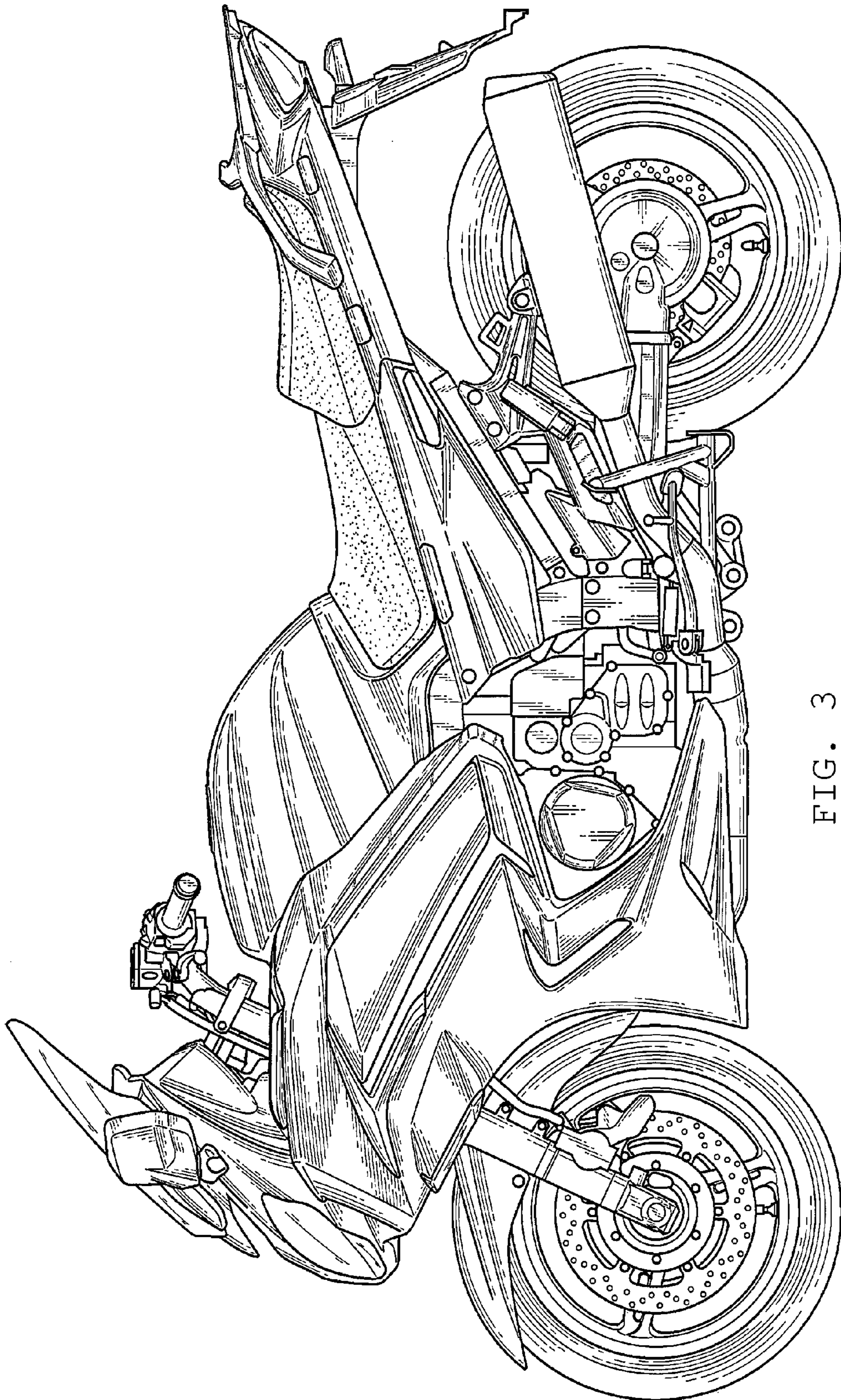


FIG. 3

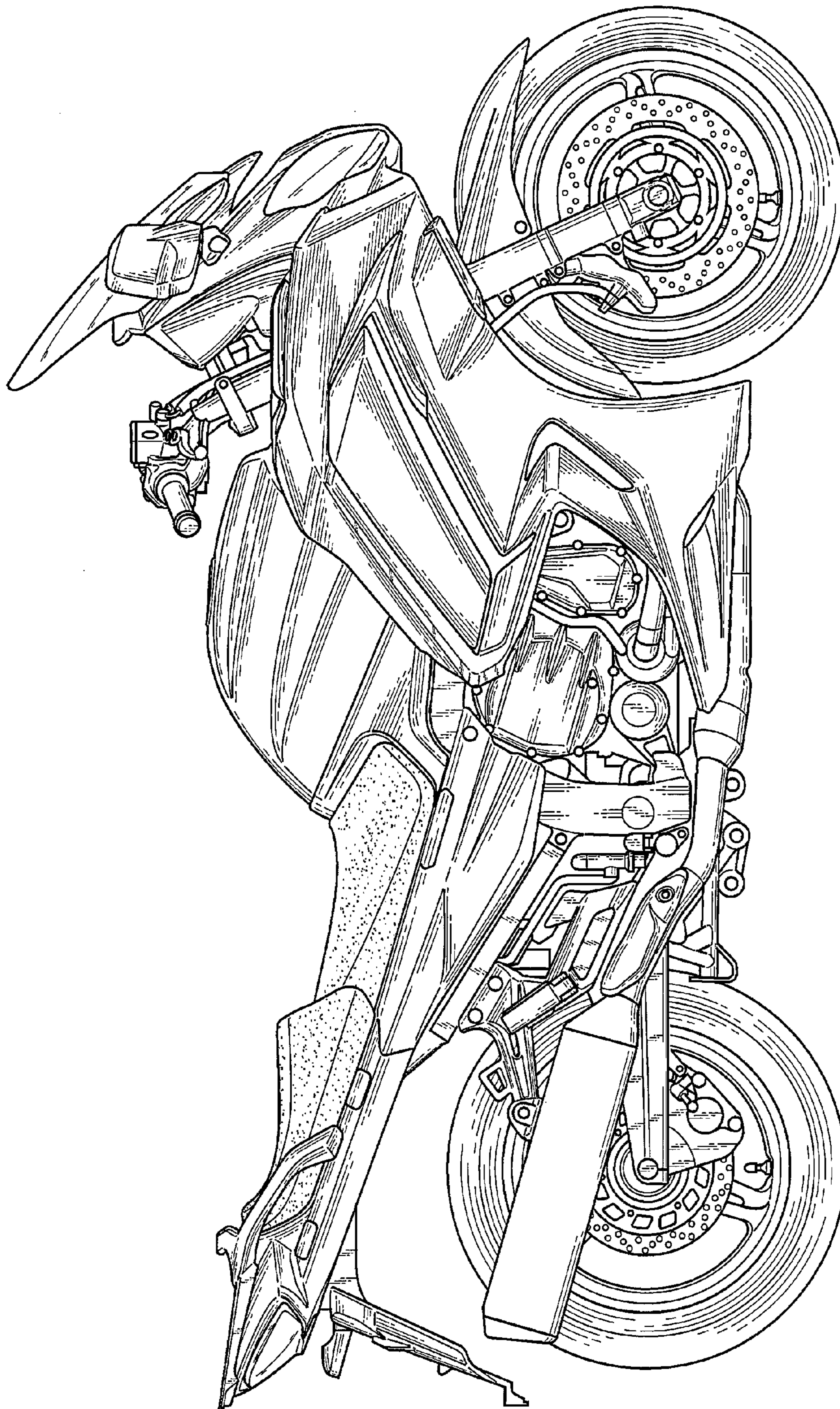


FIG. 4

FIG. 5

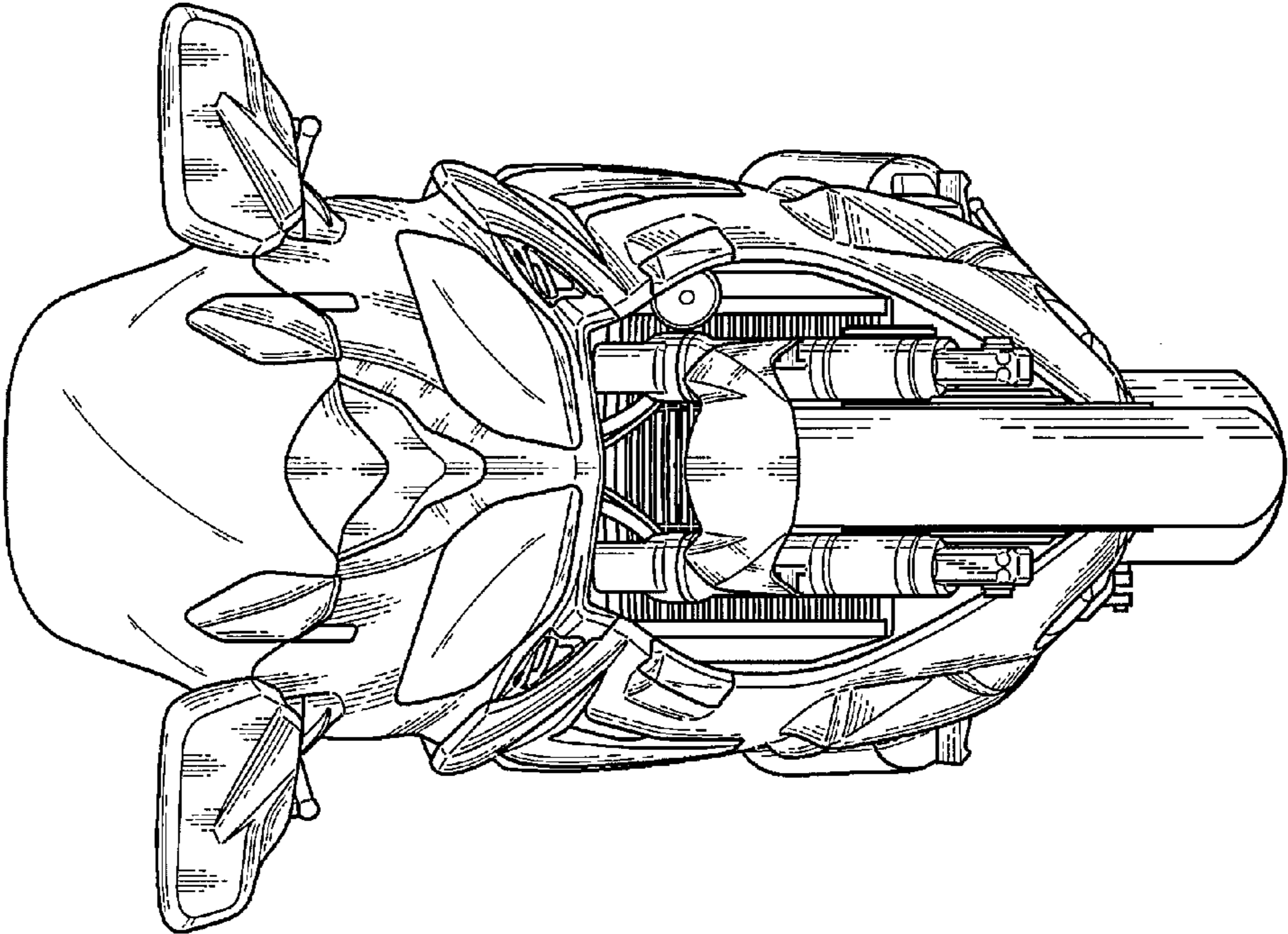
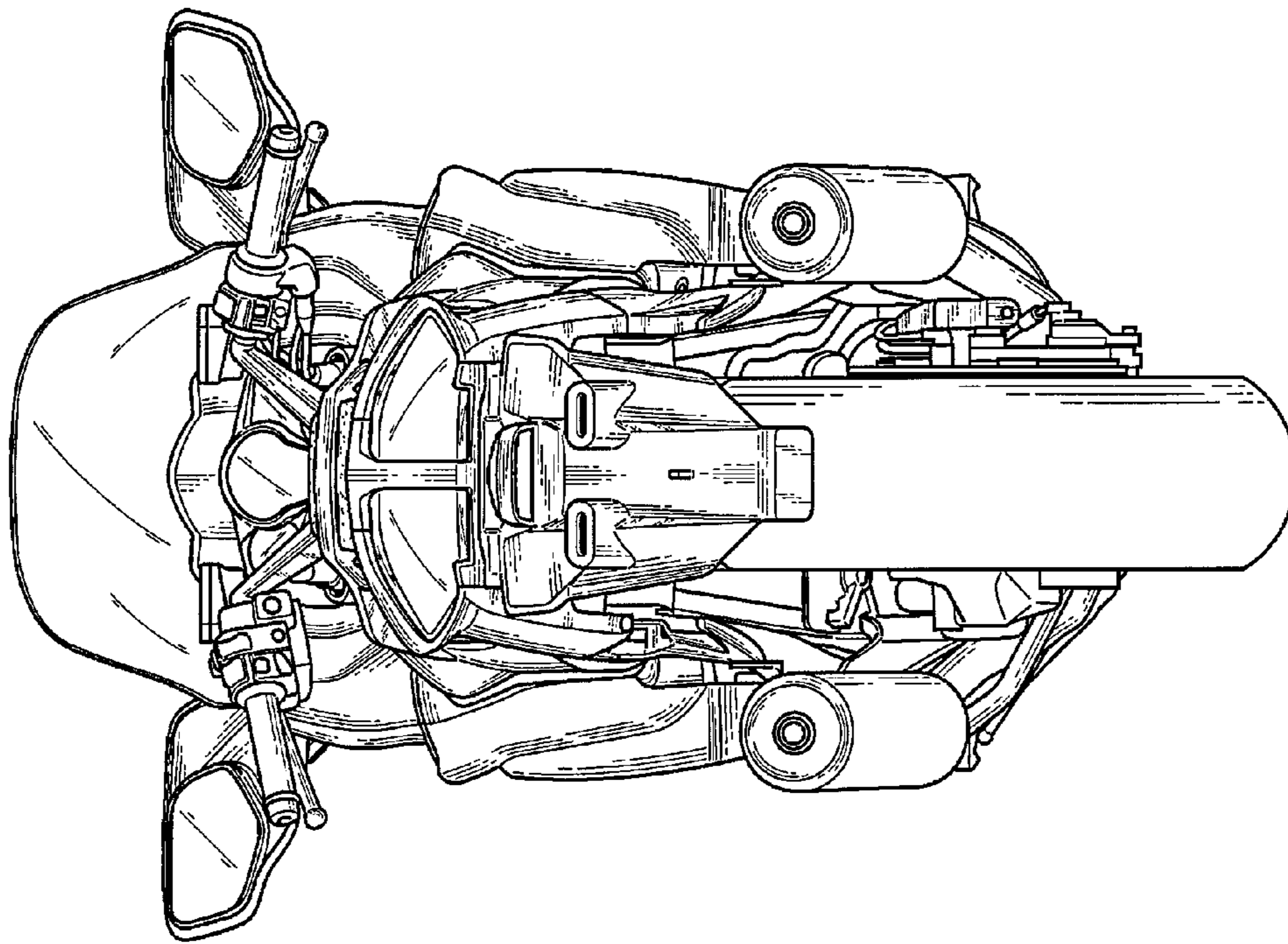


FIG. 6



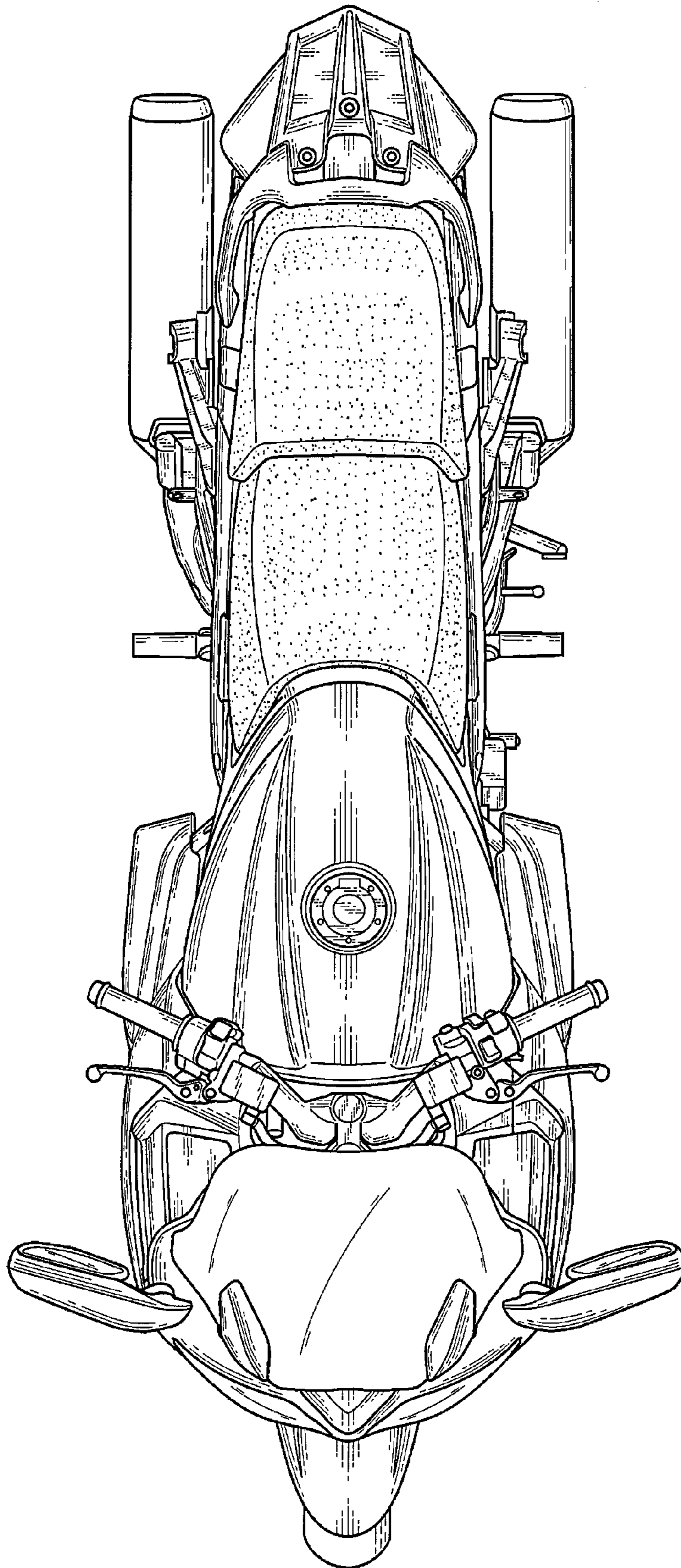


FIG. 7



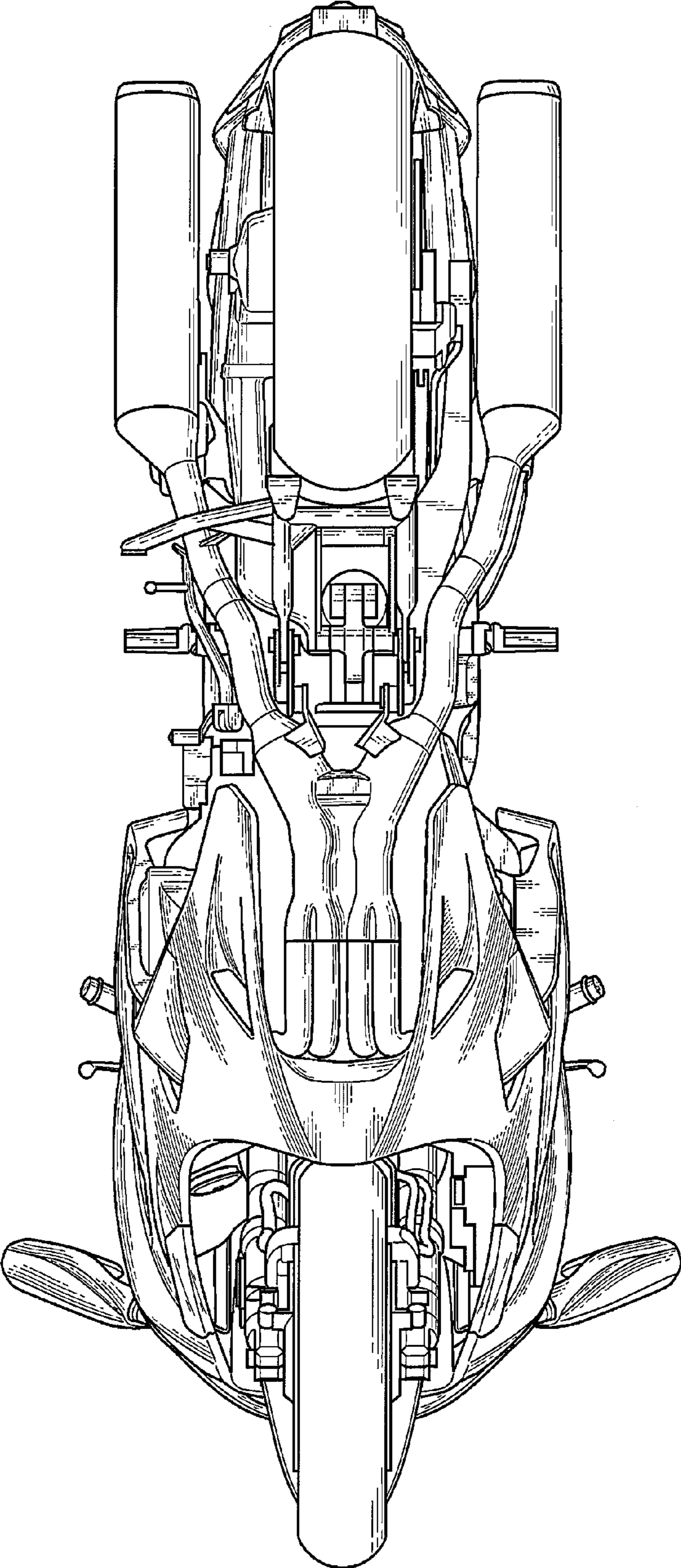


FIG. 8