



US00D686535S

(12) **United States Design Patent**
Van Braeckel

(10) **Patent No.:** **US D686,535 S**
(45) **Date of Patent:** **** Jul. 23, 2013**

(54) **MOTOR VEHICLE**

(75) Inventor: **Dirk Van Braeckel**, Chester (GB)

(73) Assignee: **Bentley Motors Limited** (GB)

(**) Term: **14 Years**

(21) Appl. No.: **29/413,962**

(22) Filed: **Feb. 23, 2012**

(30) **Foreign Application Priority Data**

Aug. 23, 2011 (EP) 001907098

(51) **LOC (9) Cl.** **12-08**

(52) **U.S. Cl.**

USPC **D12/92**

(58) **Field of Classification Search**

USPC D12/86, 90-92, 88; D21/424, 433,
D21/434; 296/181.1, 181.5

See application file for complete search history.

(56) **References Cited**

U.S. PATENT DOCUMENTS

D558,642 S * 1/2008 van Braeckel D12/92
D574,752 S * 8/2008 van Braeckel D12/92

D658,545 S * 5/2012 Van Braeckel D12/91
D669,394 S * 10/2012 Hall et al. D12/92
D669,819 S * 10/2012 Hall et al. D12/92

* cited by examiner

Primary Examiner — Melody Brown

(74) *Attorney, Agent, or Firm* — Salter & Michaelson

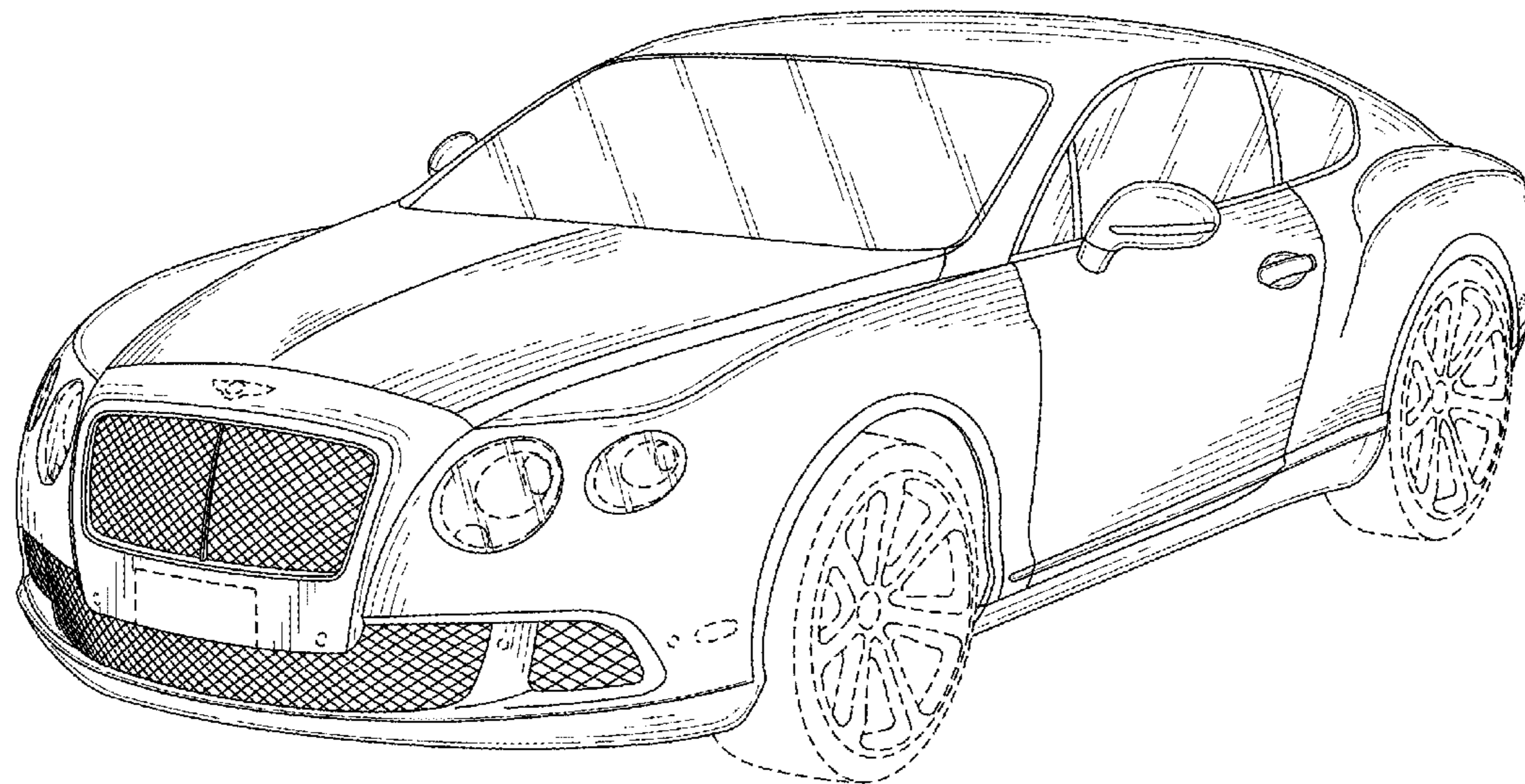
(57) **CLAIM**

The ornamental design for a motor vehicle, as shown and described.

DESCRIPTION

FIG. 1 is a front perspective view of a motor vehicle;
FIG. 2 is a front elevational view thereof;
FIG. 3 is a rear elevational view thereof;
FIG. 4 is a top plan view thereof;
FIG. 5 is a right side elevational view thereof;
FIG. 6 is a left side elevational view thereof; and,
FIG. 7 is a rear perspective view thereof.
The portions shown in broken lines are included for illustrative purposes only and form no part of the claimed design.

1 Claim, 7 Drawing Sheets



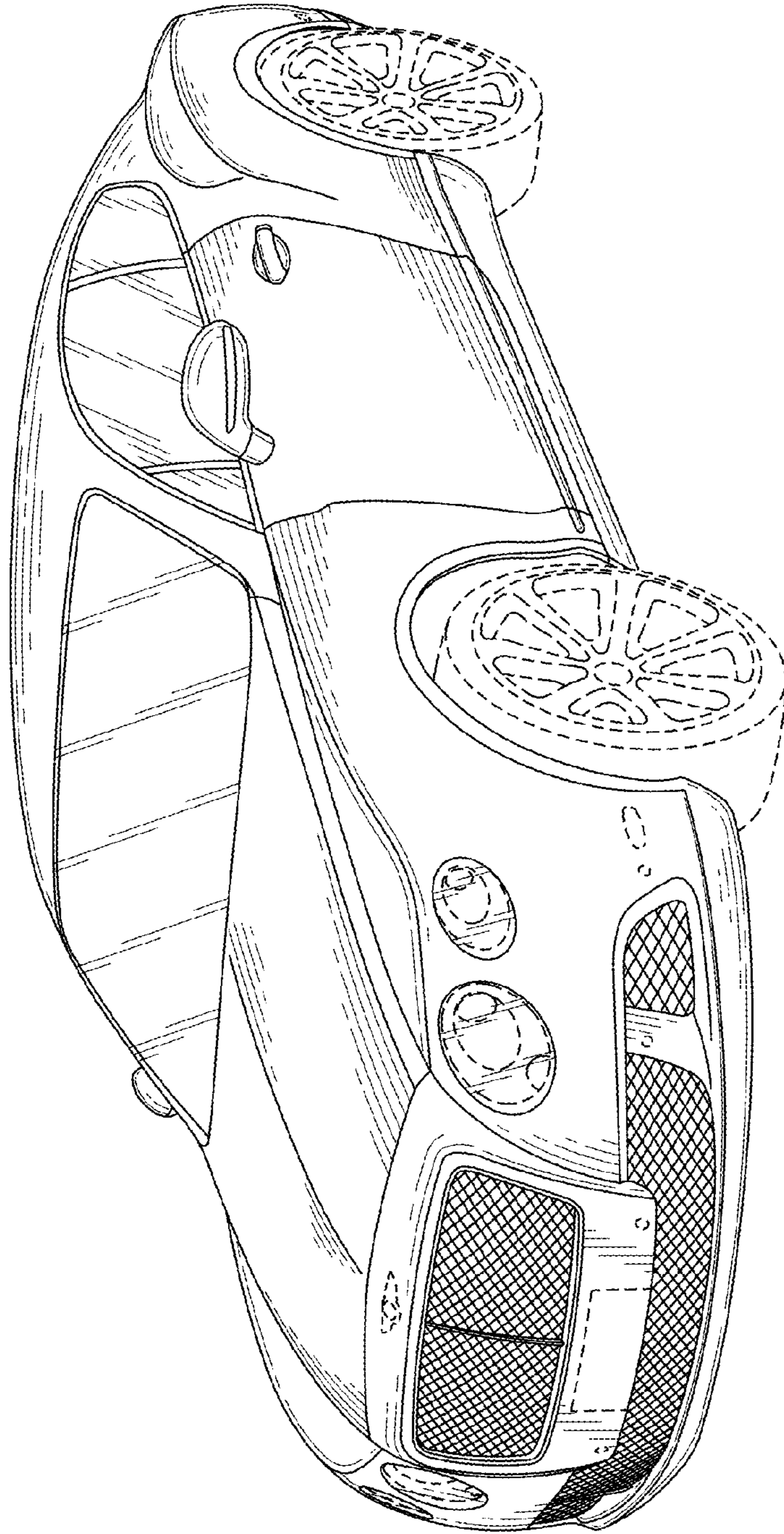


FIG. 1

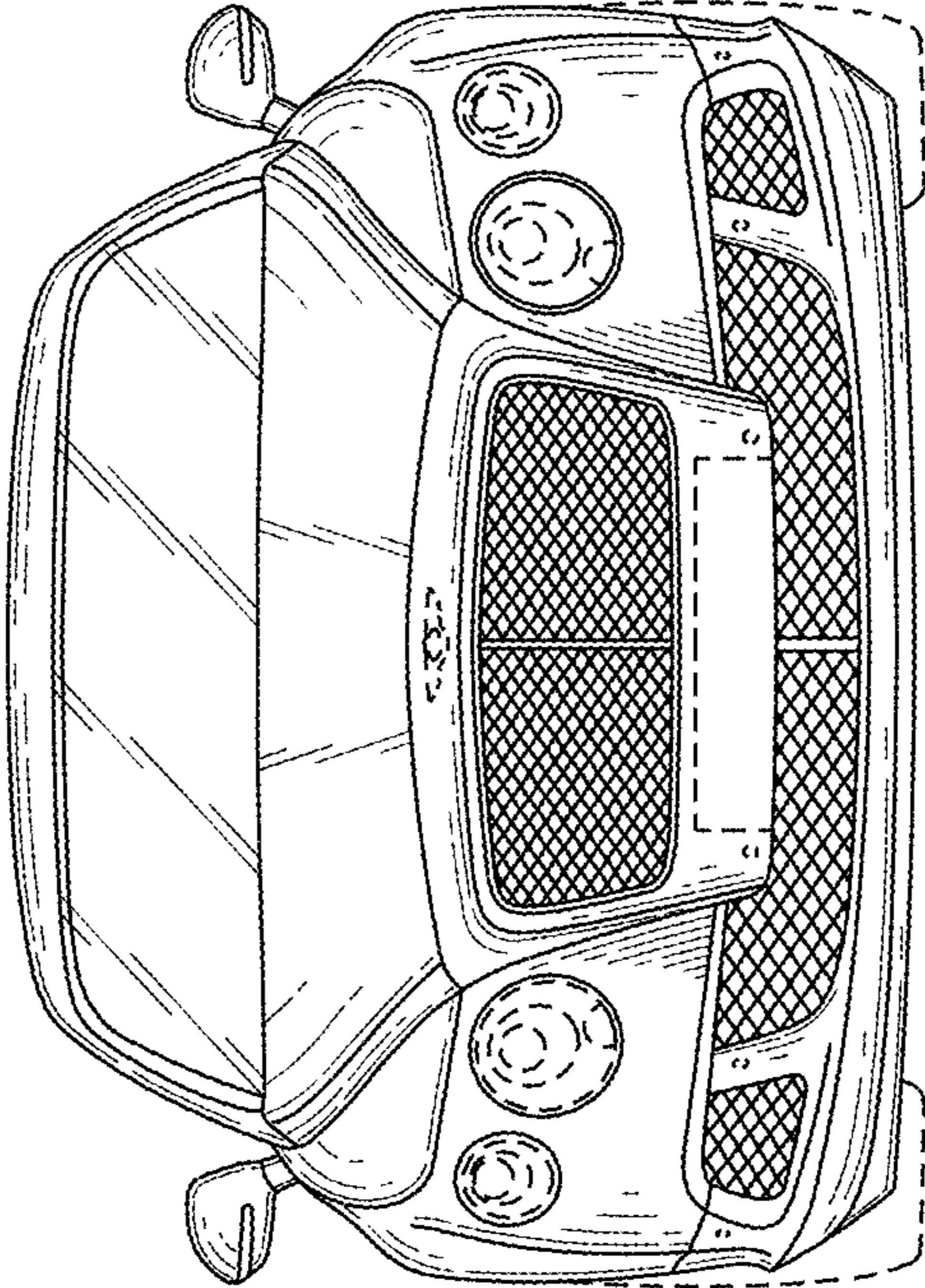


FIG. 2

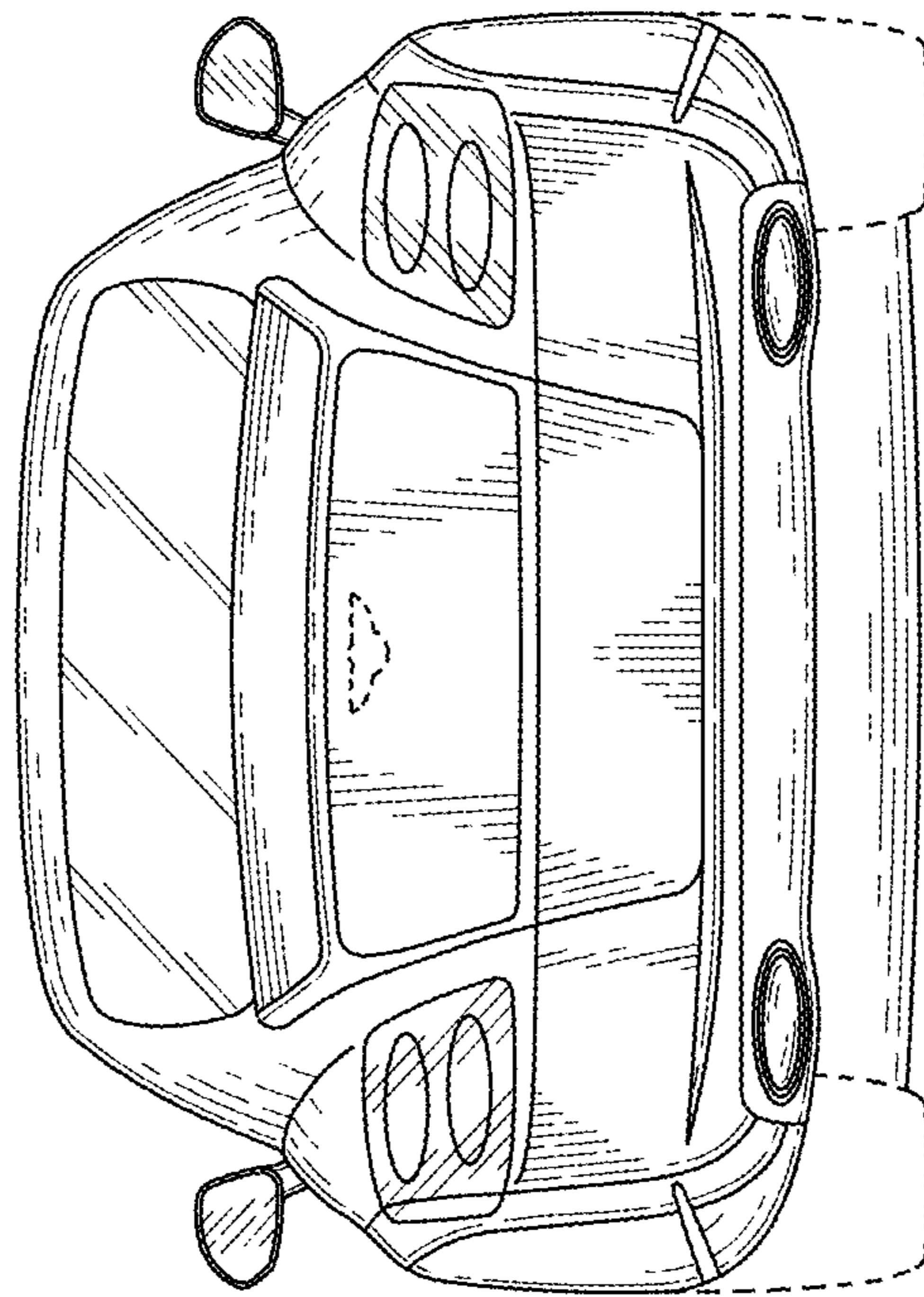


FIG. 3

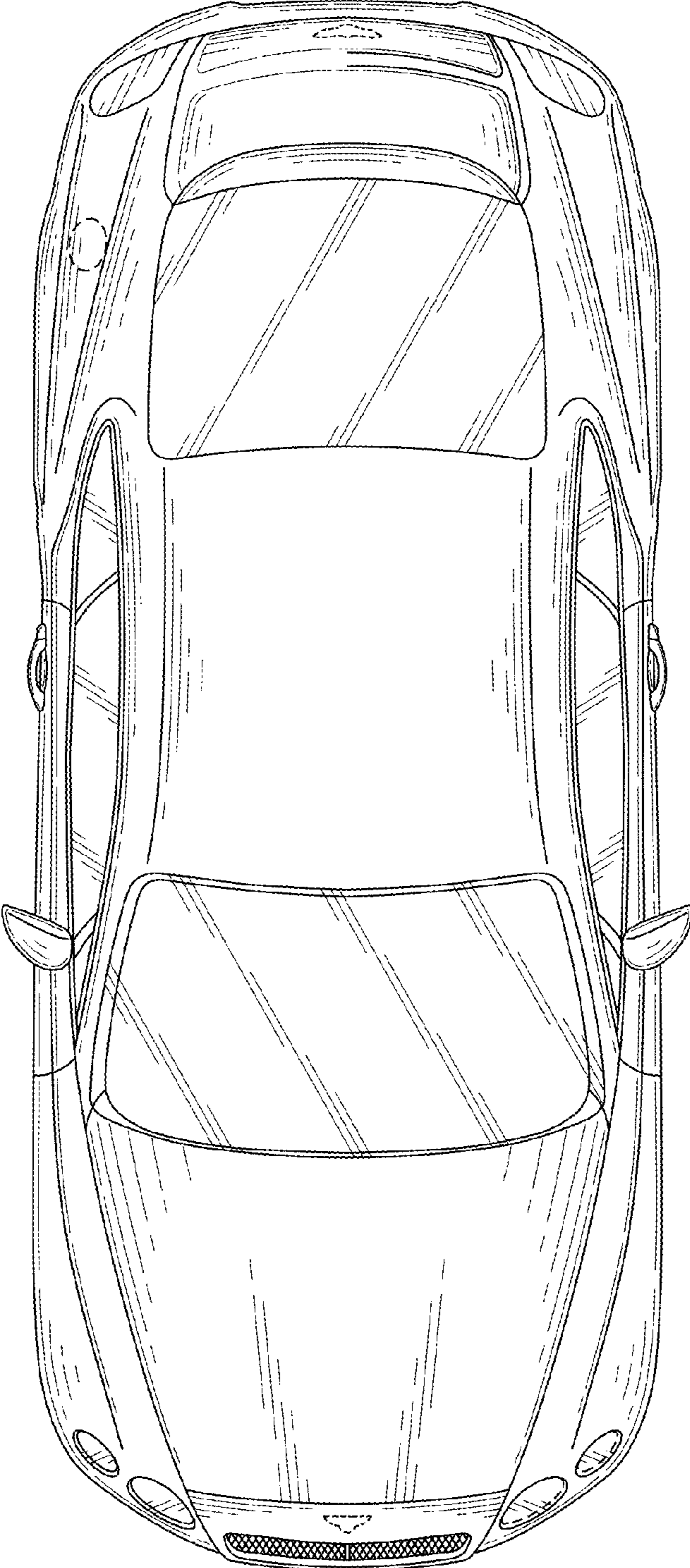


FIG. 4

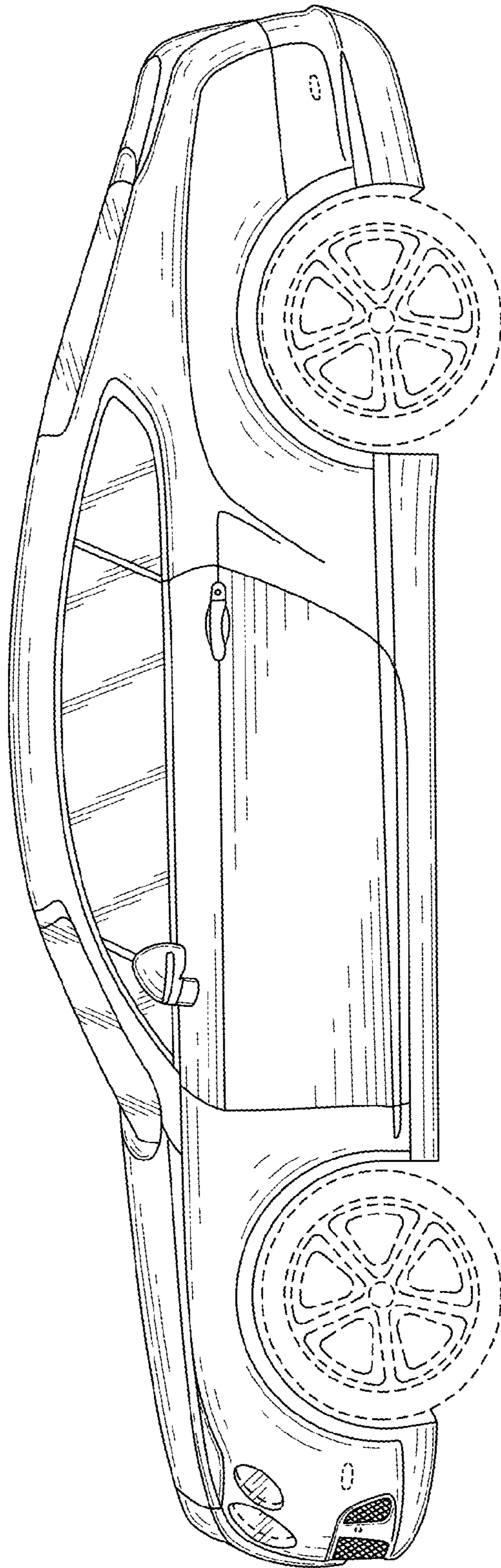


FIG. 5

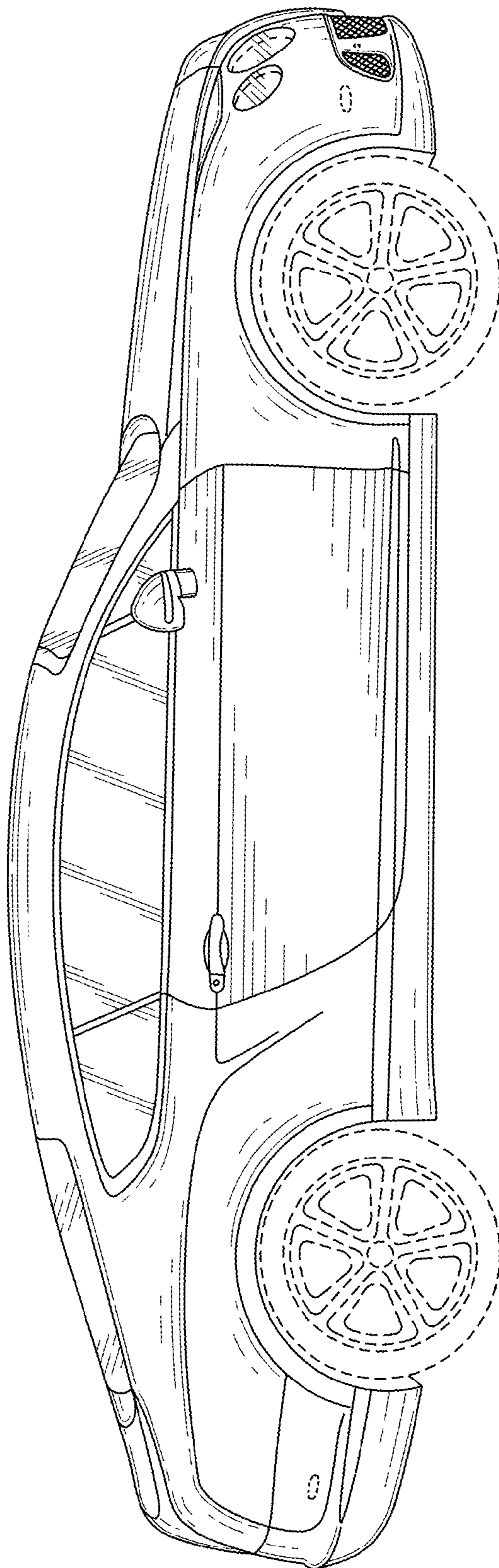


FIG. 6

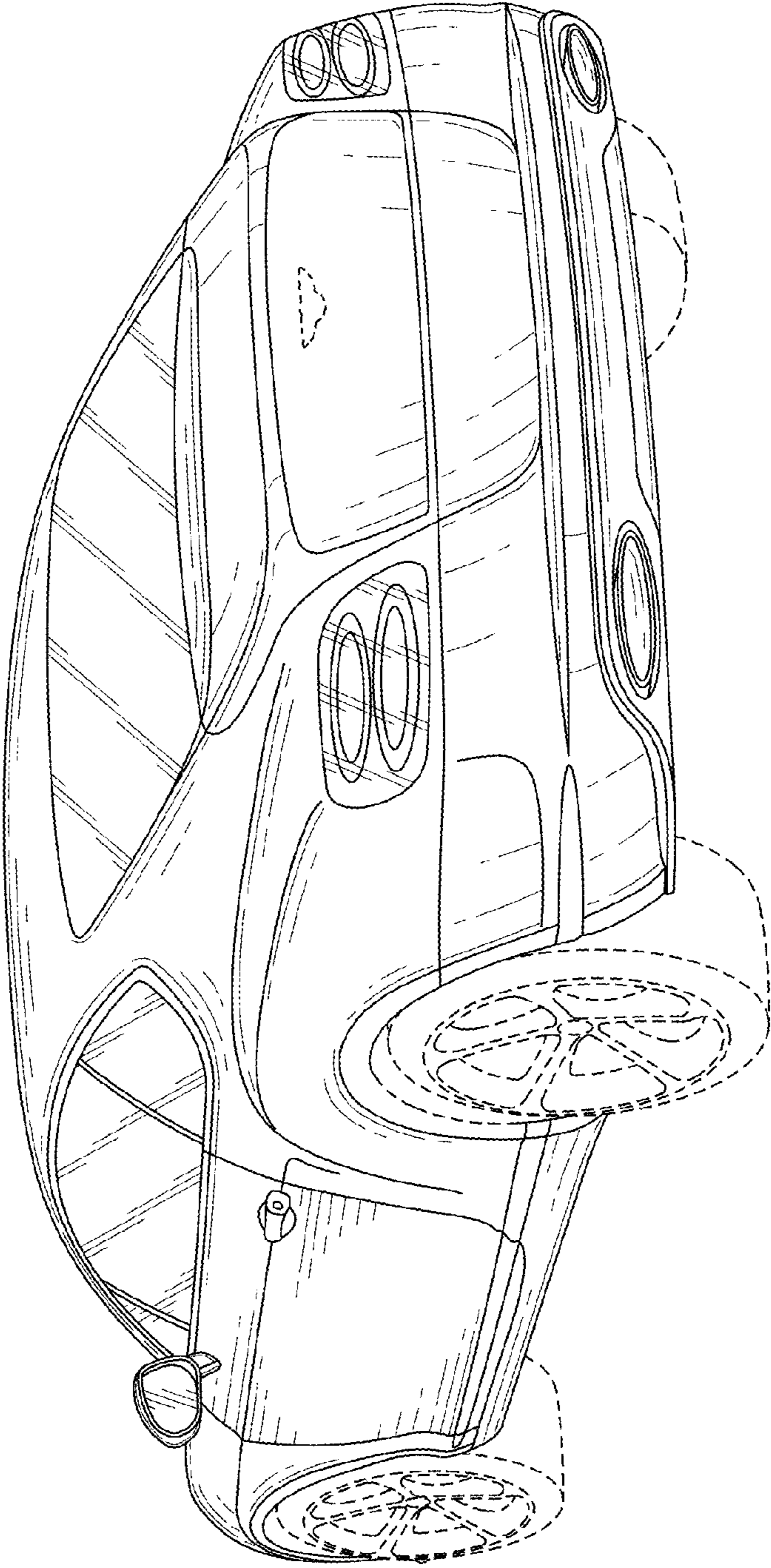


FIG. 7