



US00D686530S

(12) **United States Design Patent**  
**Paik et al.**

(10) **Patent No.:** **US D686,530 S**  
(45) **Date of Patent:** **\*\* Jul. 23, 2013**

(54) **FEMALE RECEPTACLE OF K-SHAPE BUCKLE**

D637,941 S \* 5/2011 Paik ..... D11/216  
D671,445 S \* 11/2012 Paik et al. .... D11/216

(76) Inventors: **Jisook Paik**, Seoul (KR); **Nan Hee Paik**, Seoul (KR); **JiHye Paik**, Seoul (KR); **Ji Won Son**, Seoul (KR)

\* cited by examiner

*Primary Examiner* — Ralf Seifert

(74) *Attorney, Agent, or Firm* — Novick, Kim & Lee, PLLC; Jae Youn Kim

(\*\*) Term: **14 Years**

(57) **CLAIM**

(21) Appl. No.: **29/425,778**

We claim, the ornamental design for a female receptacle of K-shape buckle, as shown and described.

(22) Filed: **Jun. 27, 2012**

**DESCRIPTION**

(30) **Foreign Application Priority Data**

Jan. 18, 2012 (KR) ..... 30-2012-0002639

(51) **LOC (9) Cl.** ..... **02-07**

(52) **U.S. Cl.**  
USPC ..... **D11/216**

(58) **Field of Classification Search**  
USPC ..... D11/1-2, 200-201, 206-210, 214-218;  
24/163 R, 169-171, 173, 177-179, 191,  
194-195, 197, 200, 614-616, 625, 198  
See application file for complete search history.

FIG. 1 is a perspective view of a female receptacle of K-shape buckle, showing my new design;  
FIG. 2 is a front elevational view thereof;  
FIG. 3 is a rear elevational view thereof;  
FIG. 4 is a left side elevational view thereof;  
FIG. 5 is a right side elevational view thereof;  
FIG. 6 is a top plan view thereof;  
FIG. 7 is a bottom plan view thereof;  
FIG. 8 is a cross sectional view taken along the line 8-8 of FIG. 2; and,  
FIG. 9 is a reference perspective view showing a female receptacle of K-shape buckle and a male latch of K-shape buckle thereof.

The broken line showing of a male latch is included for illustrative purposes only and forms no part of the claimed design.

(56) **References Cited**

**U.S. PATENT DOCUMENTS**

D543,897 S \* 6/2007 Anscher ..... D11/218  
D566,003 S \* 4/2008 Anscher ..... D11/216  
D625,226 S \* 10/2010 Pontaoe ..... D11/216

**1 Claim, 3 Drawing Sheets**

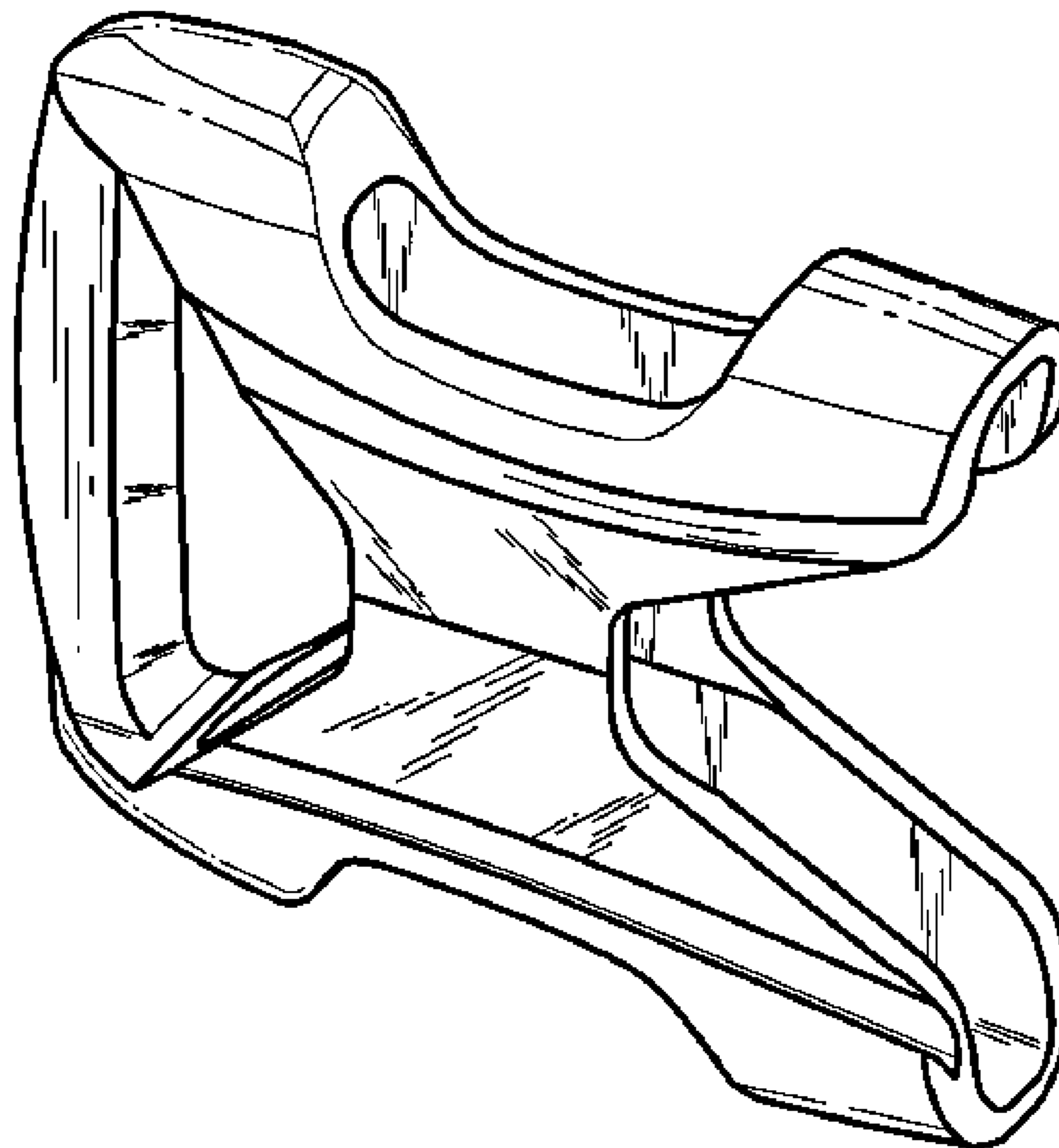


FIG.1

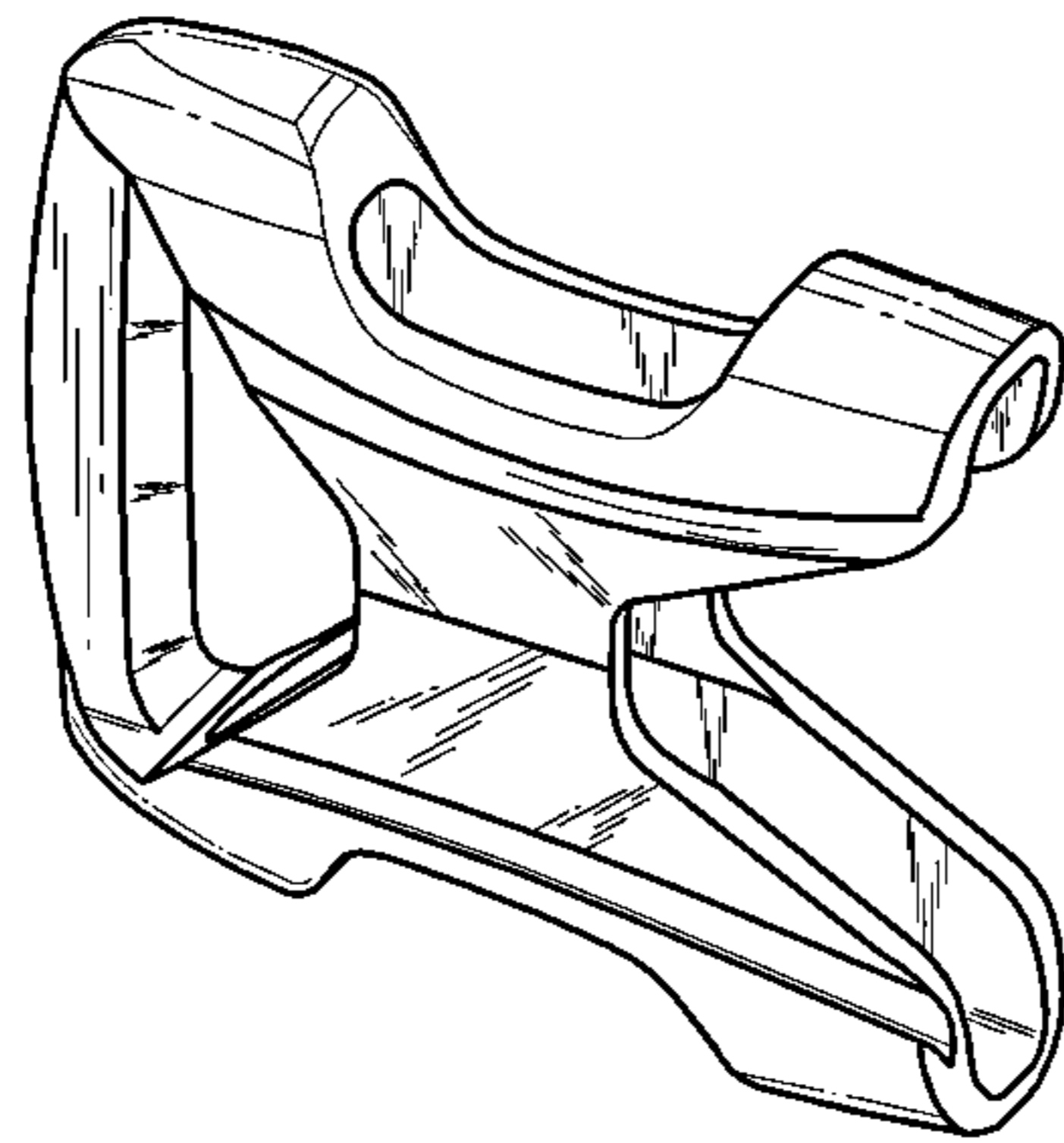


FIG.2

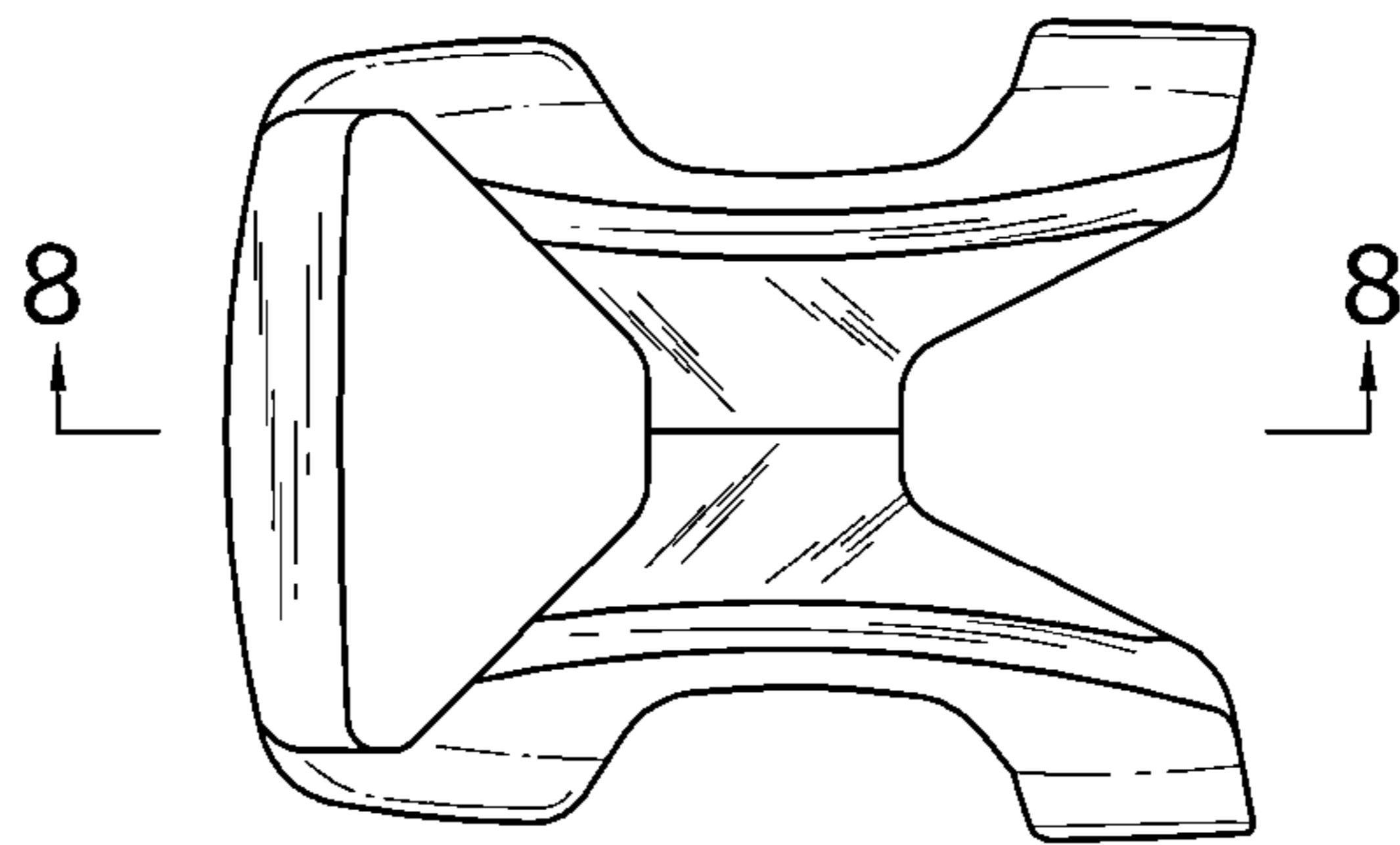


FIG.3

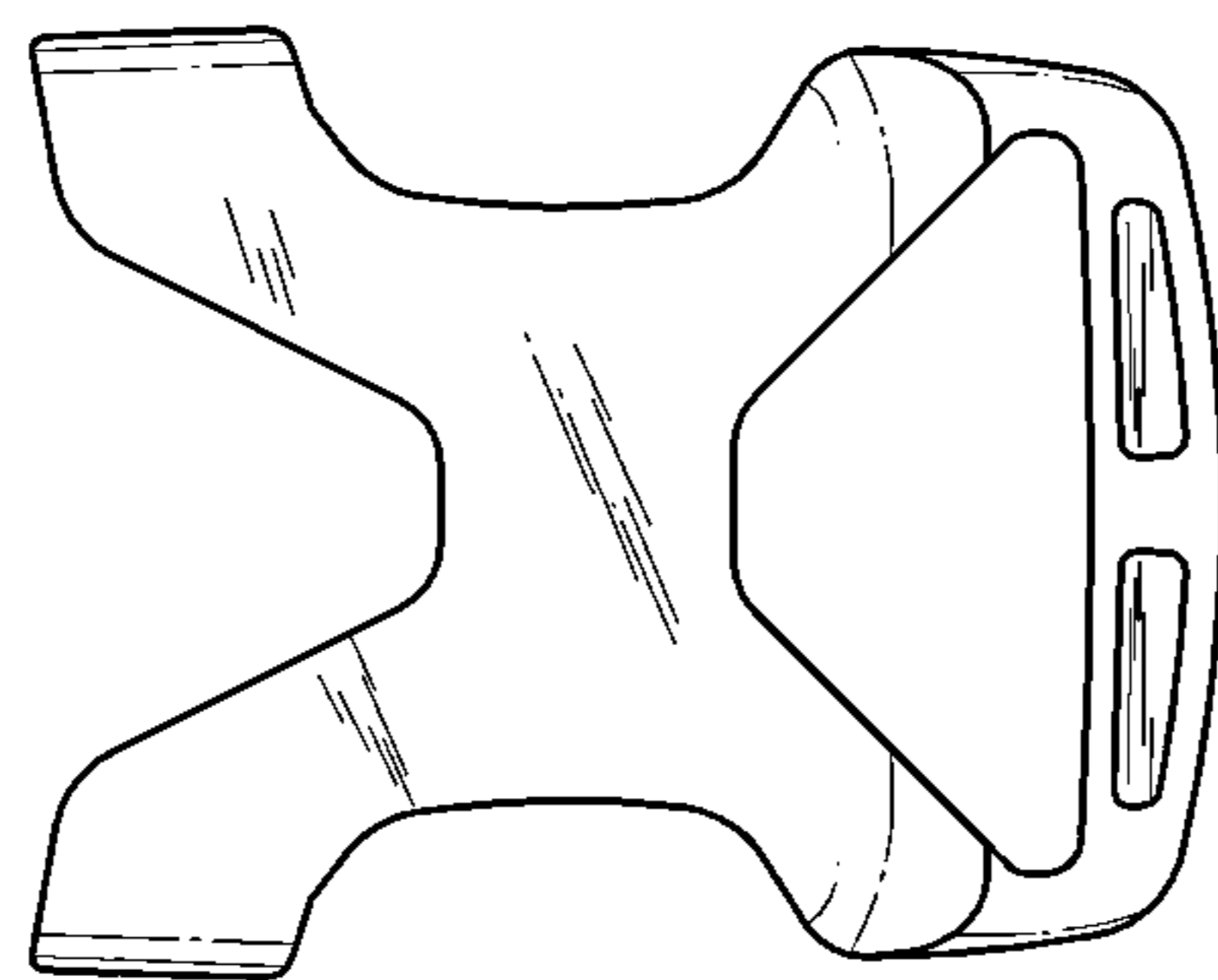


FIG.4

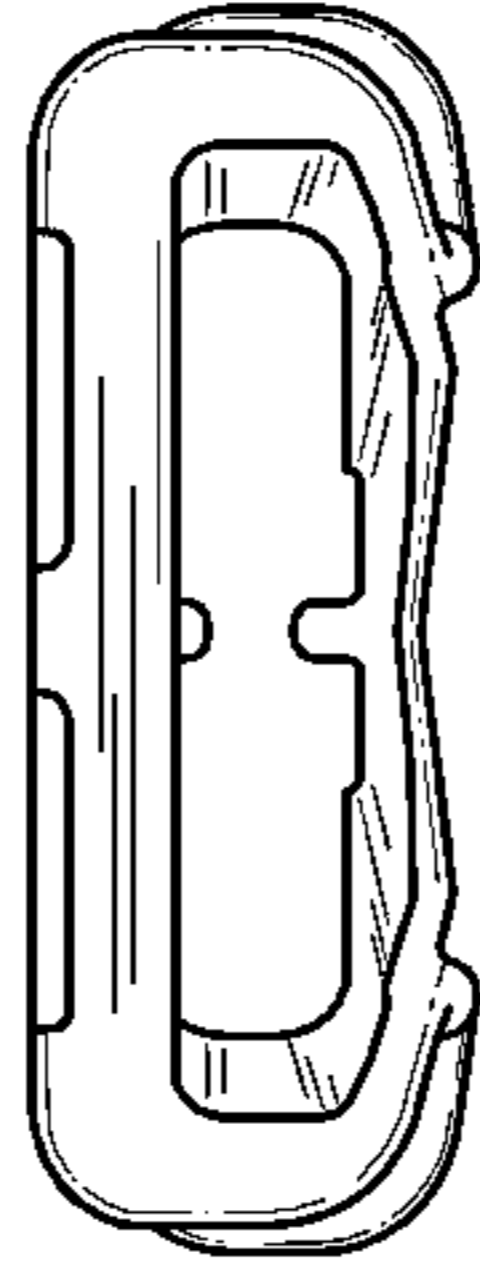


FIG.5

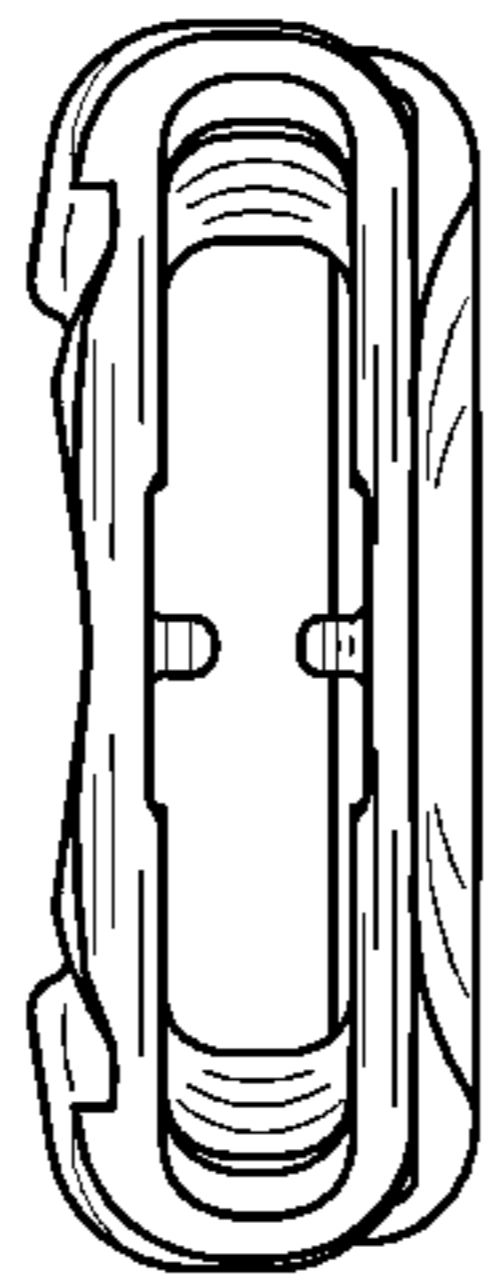


FIG.6

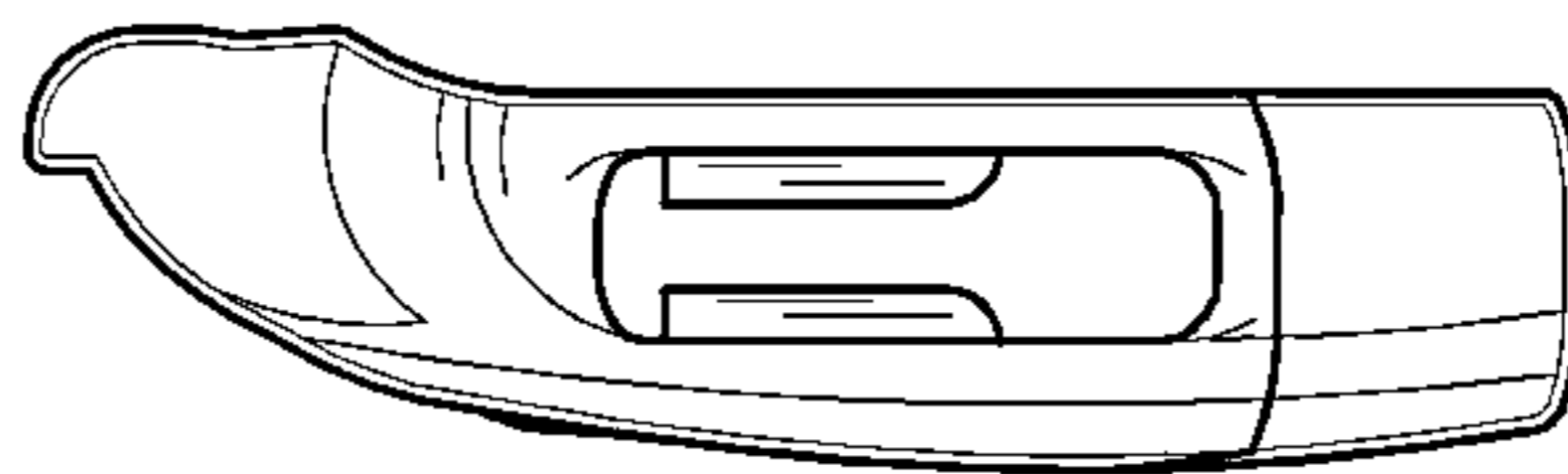


FIG.7

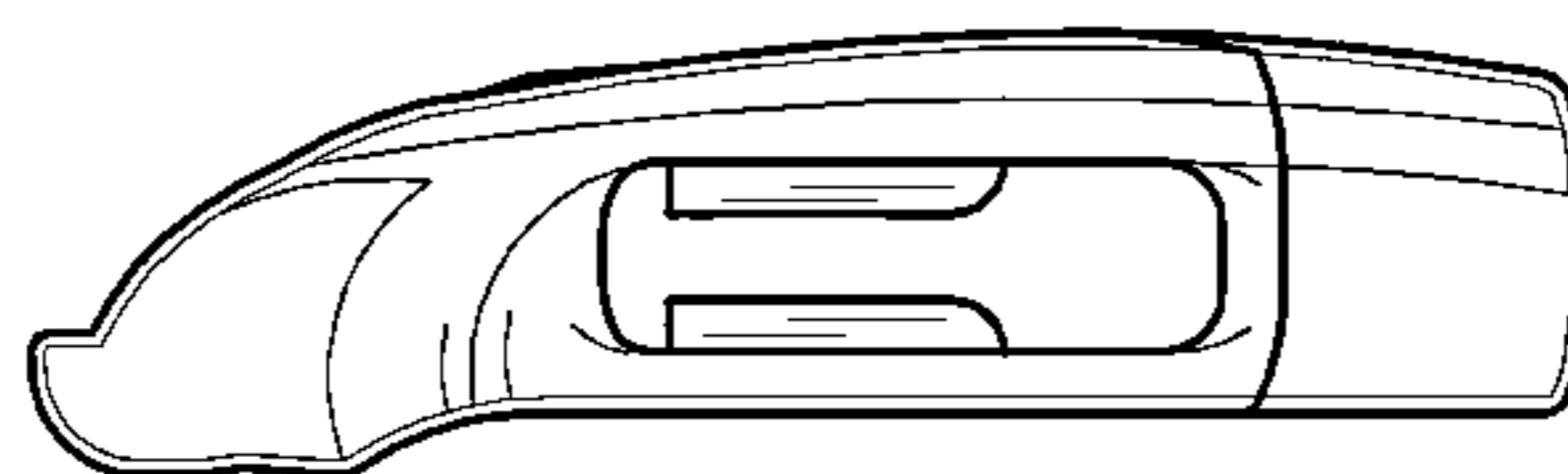


FIG.8

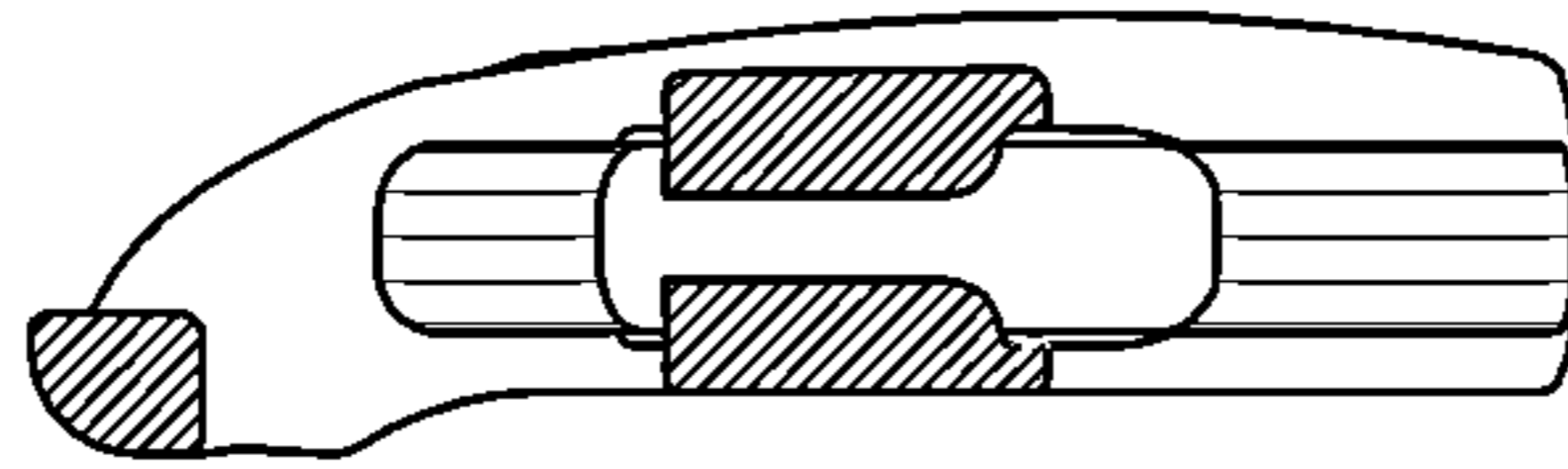


FIG.9

