



US00D686527S

(12) **United States Design Patent**
Kawaguchi

(10) **Patent No.:** **US D686,527 S**
(45) **Date of Patent:** **** Jul. 23, 2013**

(54) **BUCKLE**

(75) Inventor: **Gaku Kawaguchi**, Yokohama (JP)

(73) Assignee: **Nifco Inc.**, Yokohama-Shi (JP)

(**) Term: **14 Years**

(21) Appl. No.: **29/421,350**

(22) Filed: **Jul. 9, 2012**

(30) **Foreign Application Priority Data**

Jan. 17, 2012 (JP) 2012-000714

(51) **LOC (9) Cl.** **02-07**

(52) **U.S. Cl.**
USPC **D11/216**

(58) **Field of Classification Search**
USPC D11/1-2, 200-201, 206-210, 214-218;
24/163 R, 169-171, 173, 177-179, 191,
194-195, 197, 200, 614-616, 625, 198
See application file for complete search history.

(56) **References Cited**

U.S. PATENT DOCUMENTS

D379,161 S * 5/1997 Matoba D11/216
D647,818 S * 11/2011 Kaneko D11/216

* cited by examiner

Primary Examiner — Ralf Seifert

(74) *Attorney, Agent, or Firm* — Manabu Kanesaka

(57) **CLAIM**
The ornamental design for a buckle, as shown and described.

DESCRIPTION

FIG. 1 is a perspective view of a buckle showing my new design;
FIG. 2 is another perspective view thereof;
FIG. 3 is a front view thereof;
FIG. 4 is a rear view thereof;
FIG. 5 is a right side view thereof;
FIG. 6 is a left side view thereof;
FIG. 7 is a plan view thereof;
FIG. 8 is a bottom view thereof;
FIG. 9 is a perspective view of a male body;
FIG. 10 is another perspective view thereof;
FIG. 11 is a front view thereof;
FIG. 12 is a rear view thereof;
FIG. 13 is a right side view thereof;
FIG. 14 is a perspective view of a female body;
FIG. 15 is another perspective view thereof;
FIG. 16 is a front view thereof;
FIG. 17 is a right side view thereof;
FIG. 18 is a cross-sectional view of the male body along the line 18-18 in FIG. 11;
FIG. 19 is a cross-sectional view of the female body along the line 19-19 in FIG. 16; and,
FIG. 20 is a cross-sectional view thereof along the line 20-20 in FIG. 17.
Outer thick lines indicate outer shapes of the buckle, and inner thin lines indicate inner contour of the buckle for illustration purpose.

1 Claim, 8 Drawing Sheets

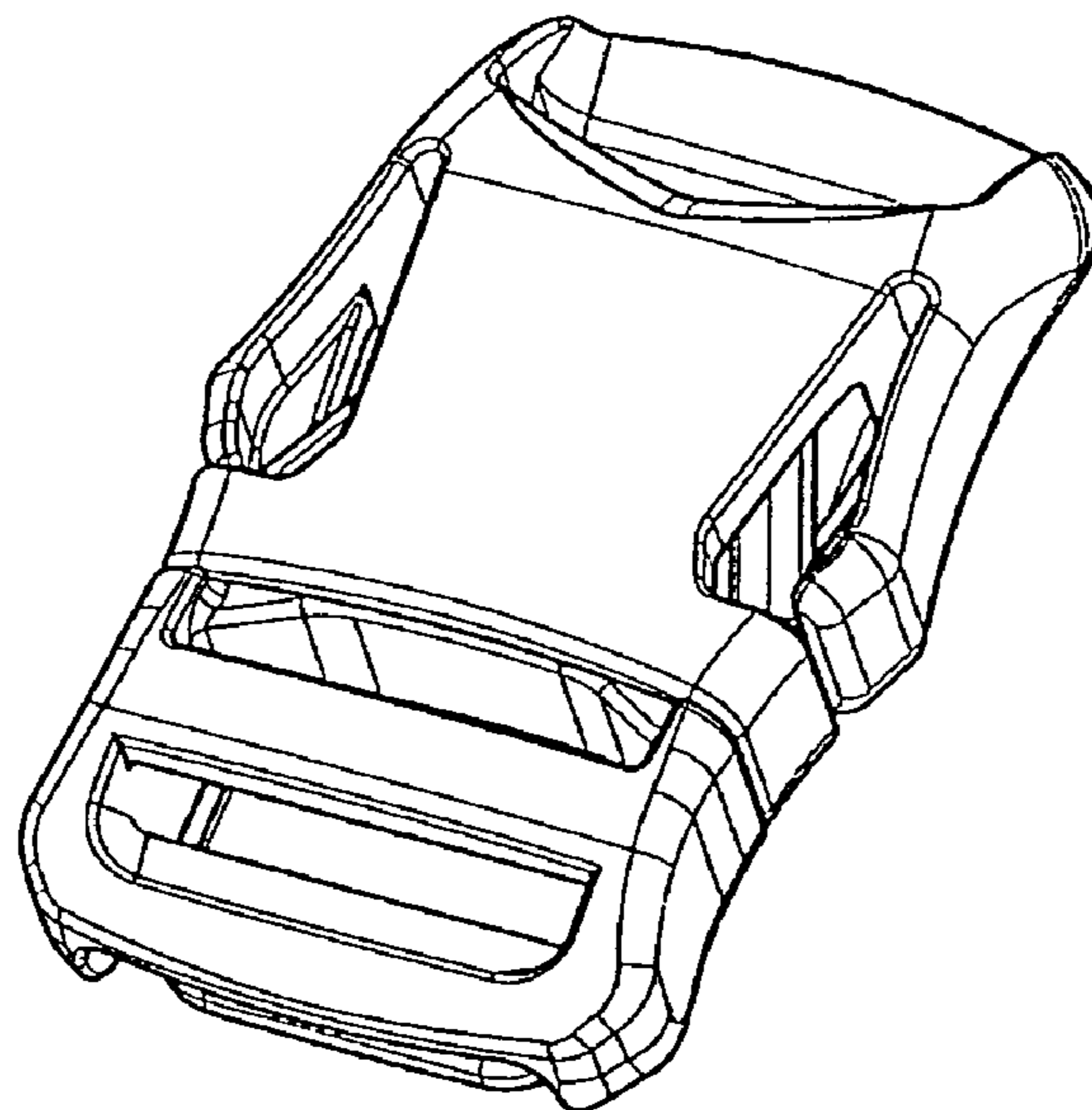


FIG. 1

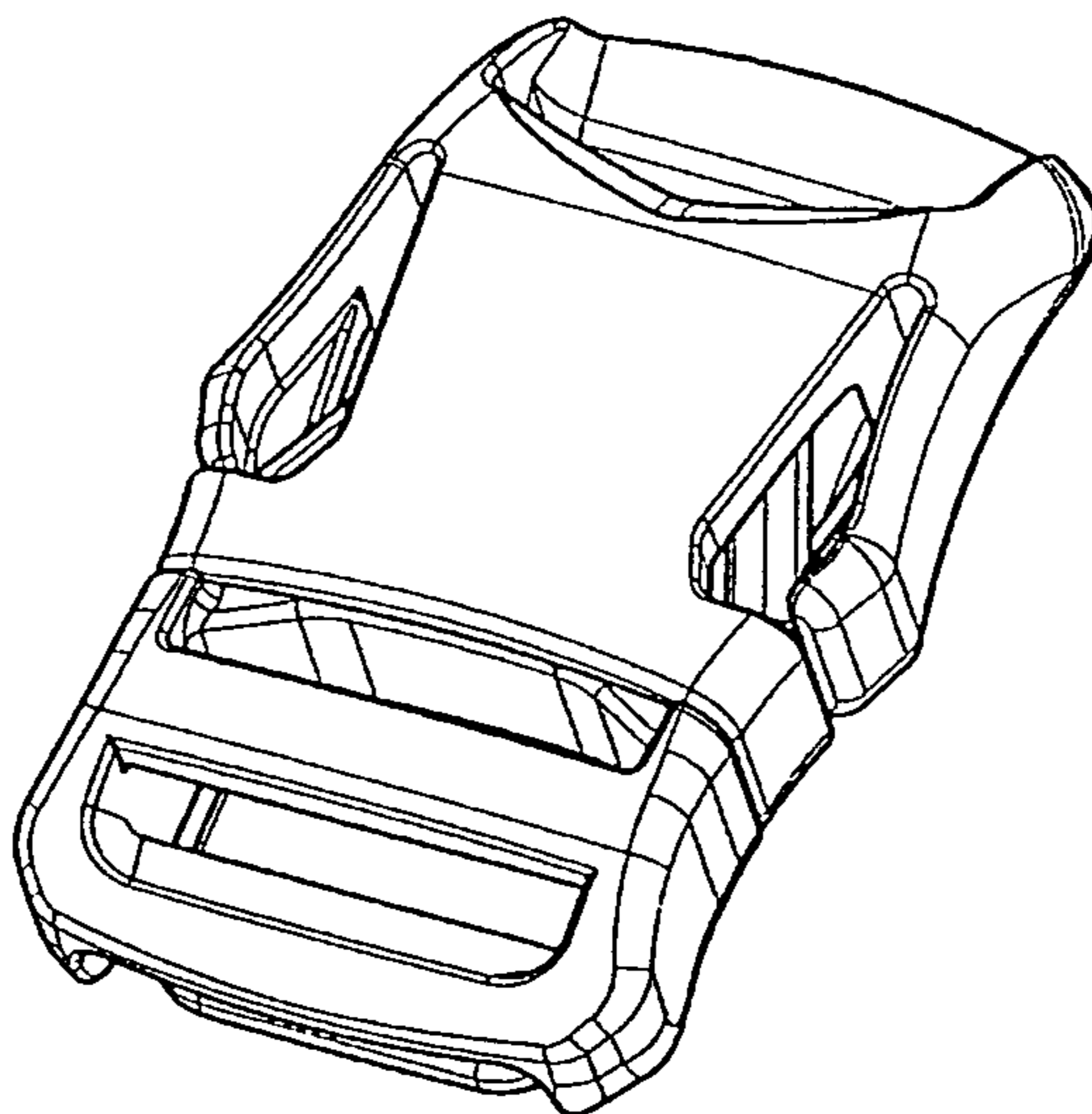


FIG. 2

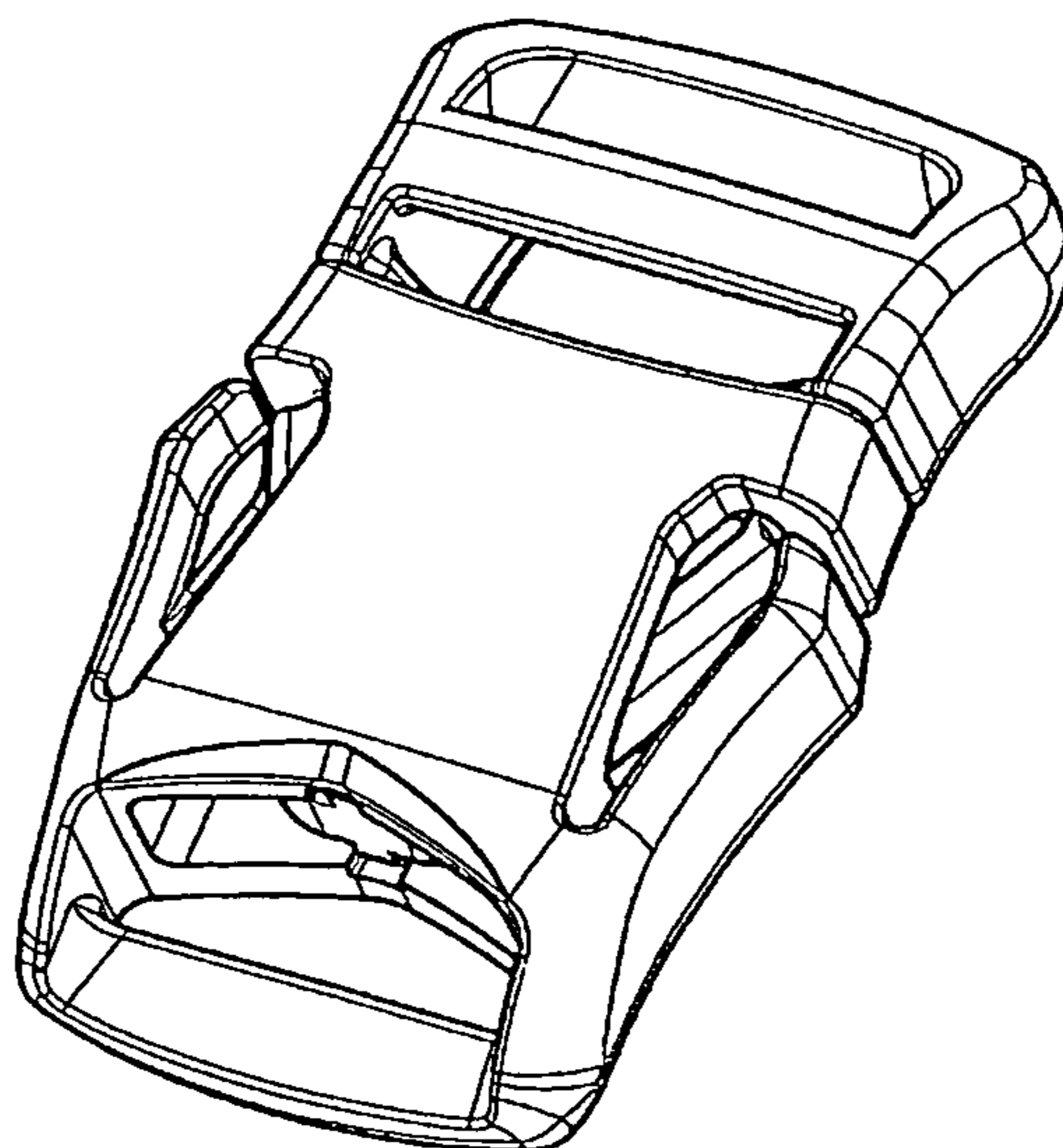


FIG. 3

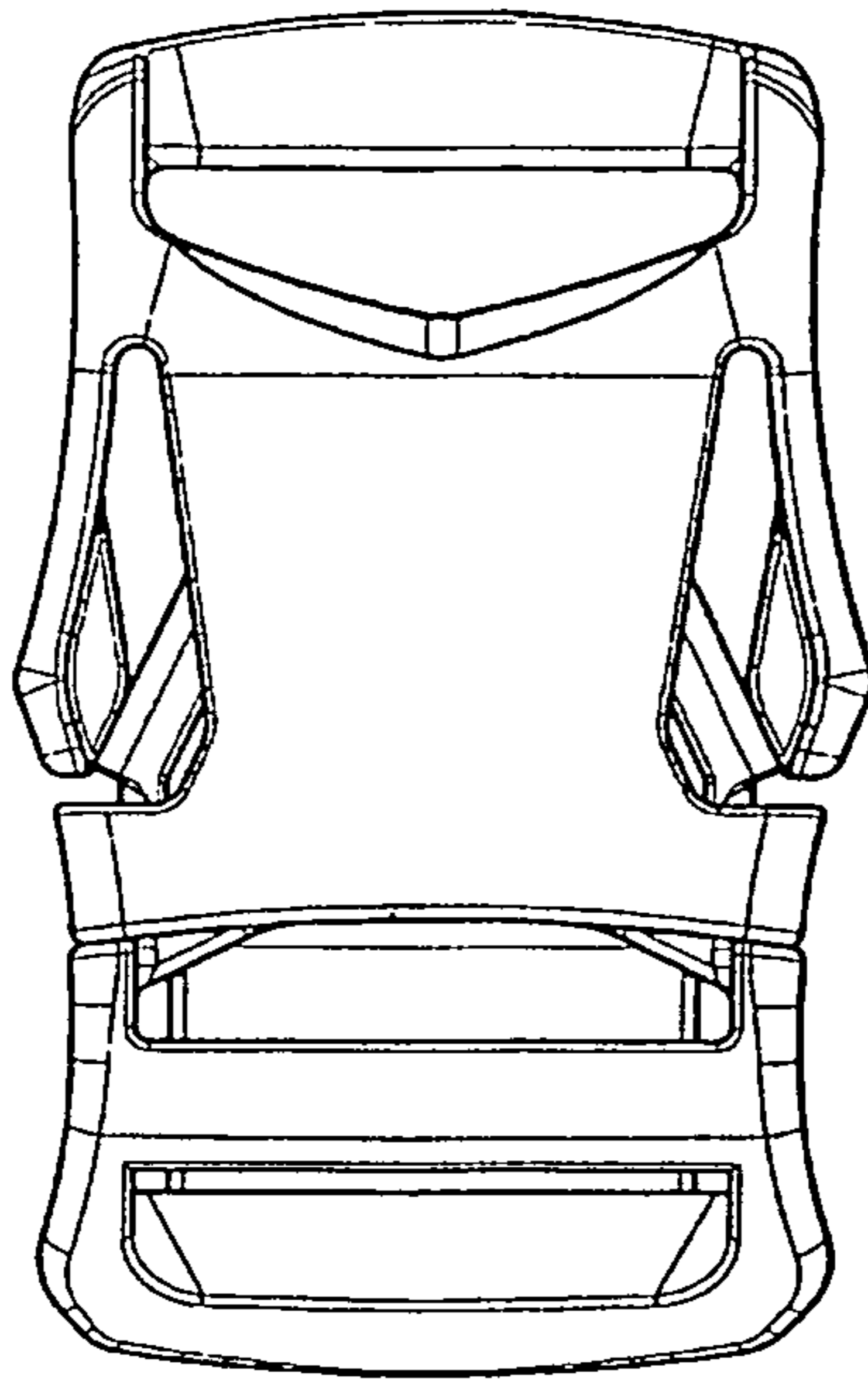


FIG. 4

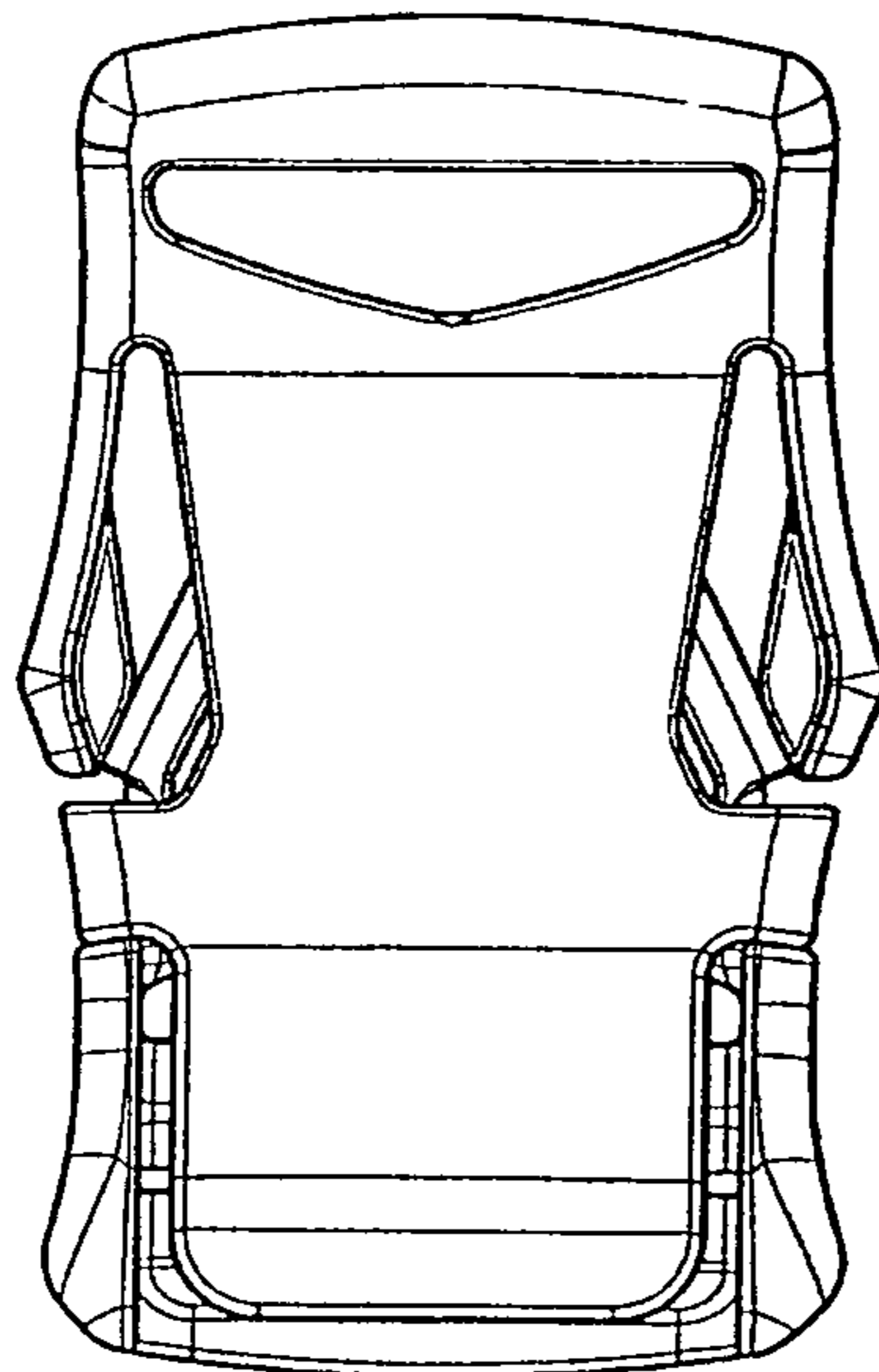


FIG. 5

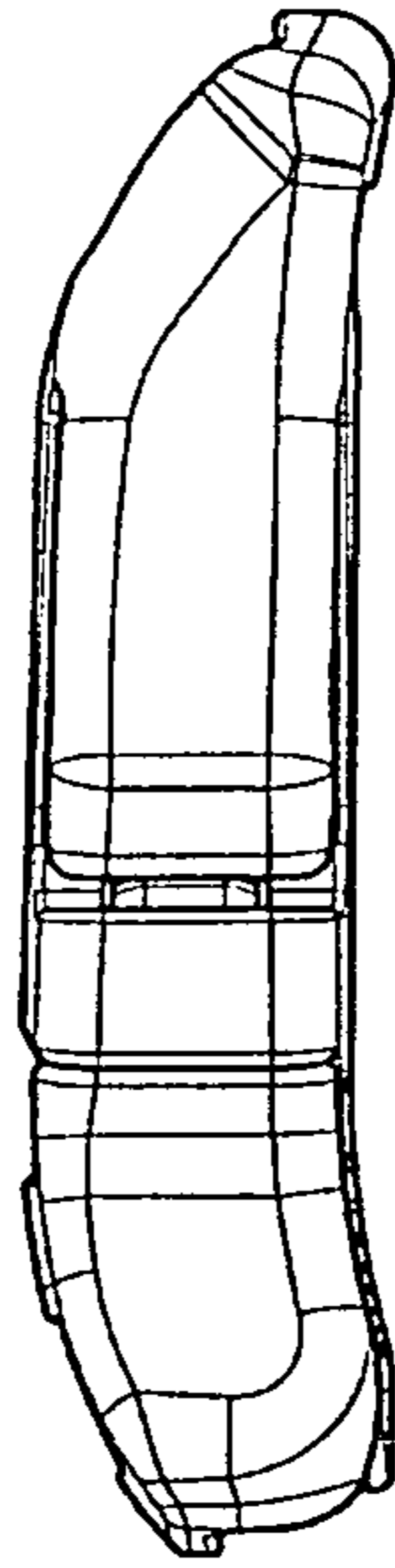


FIG. 6

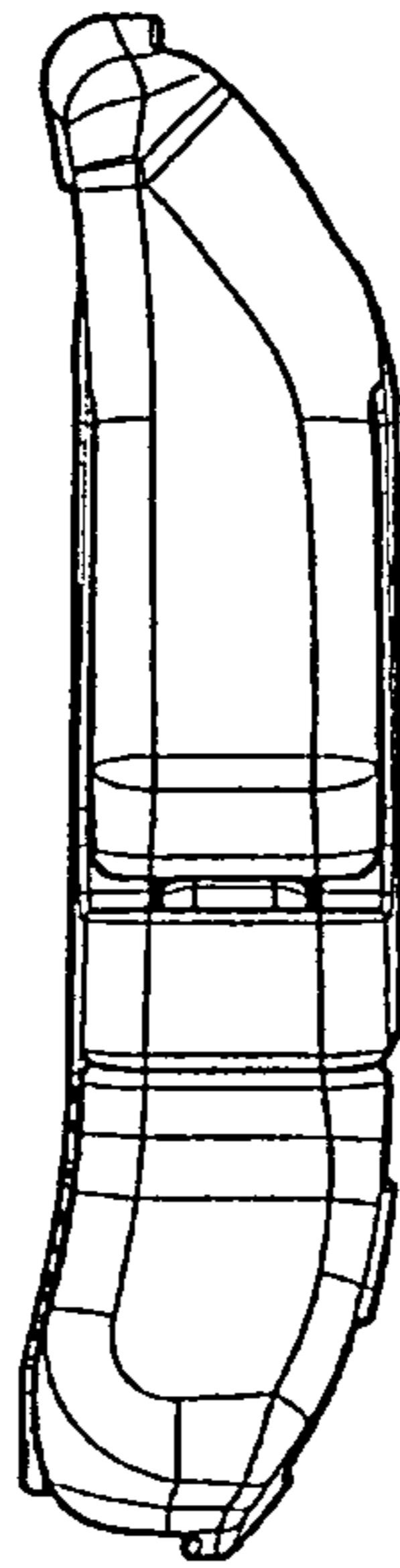


FIG. 7

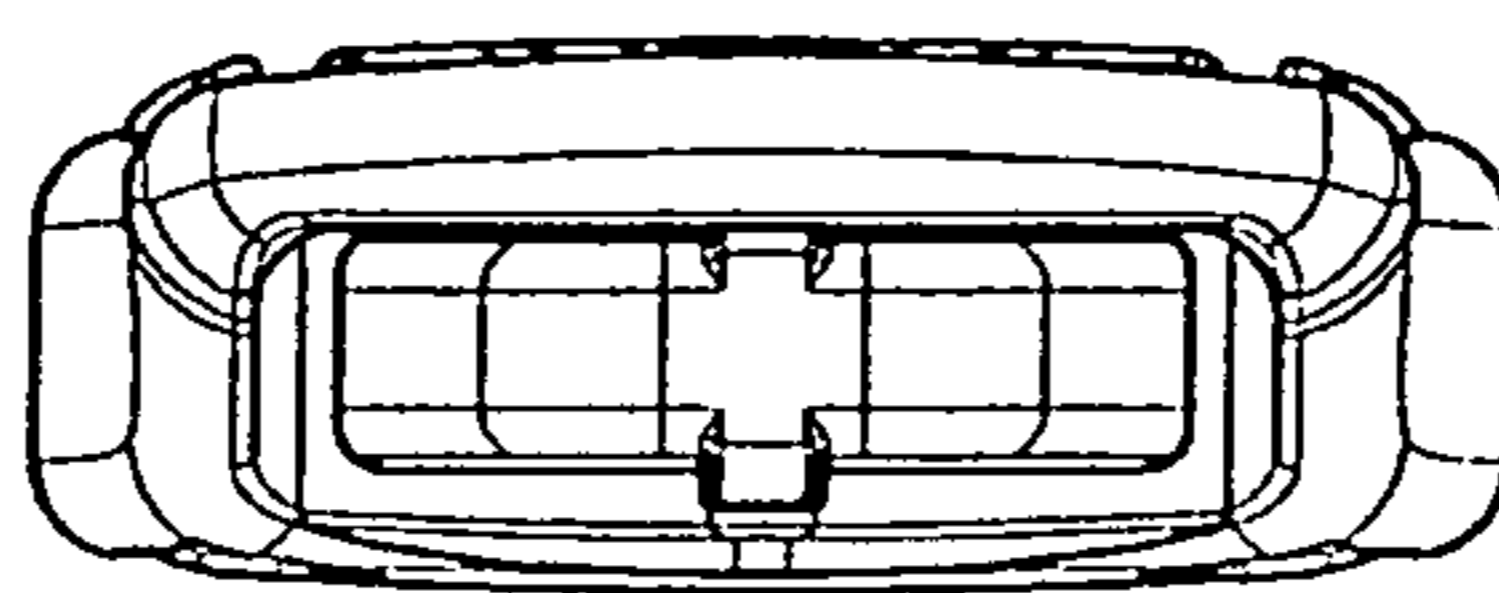


FIG. 8

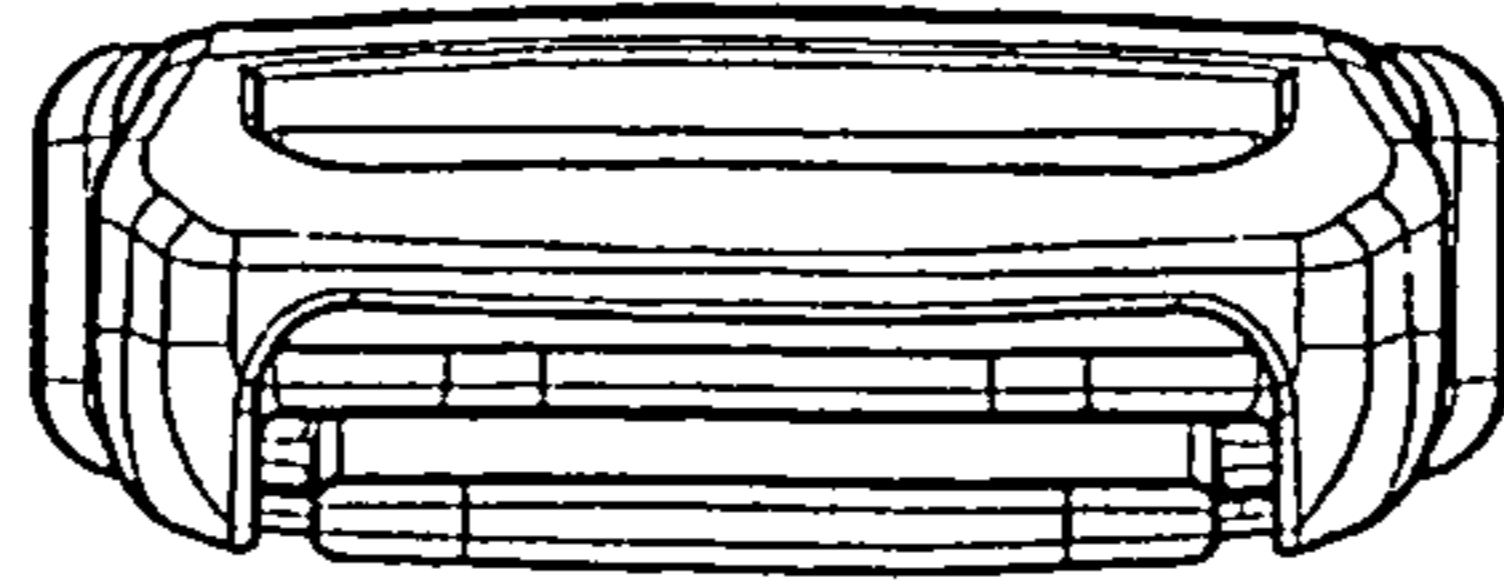


FIG. 9

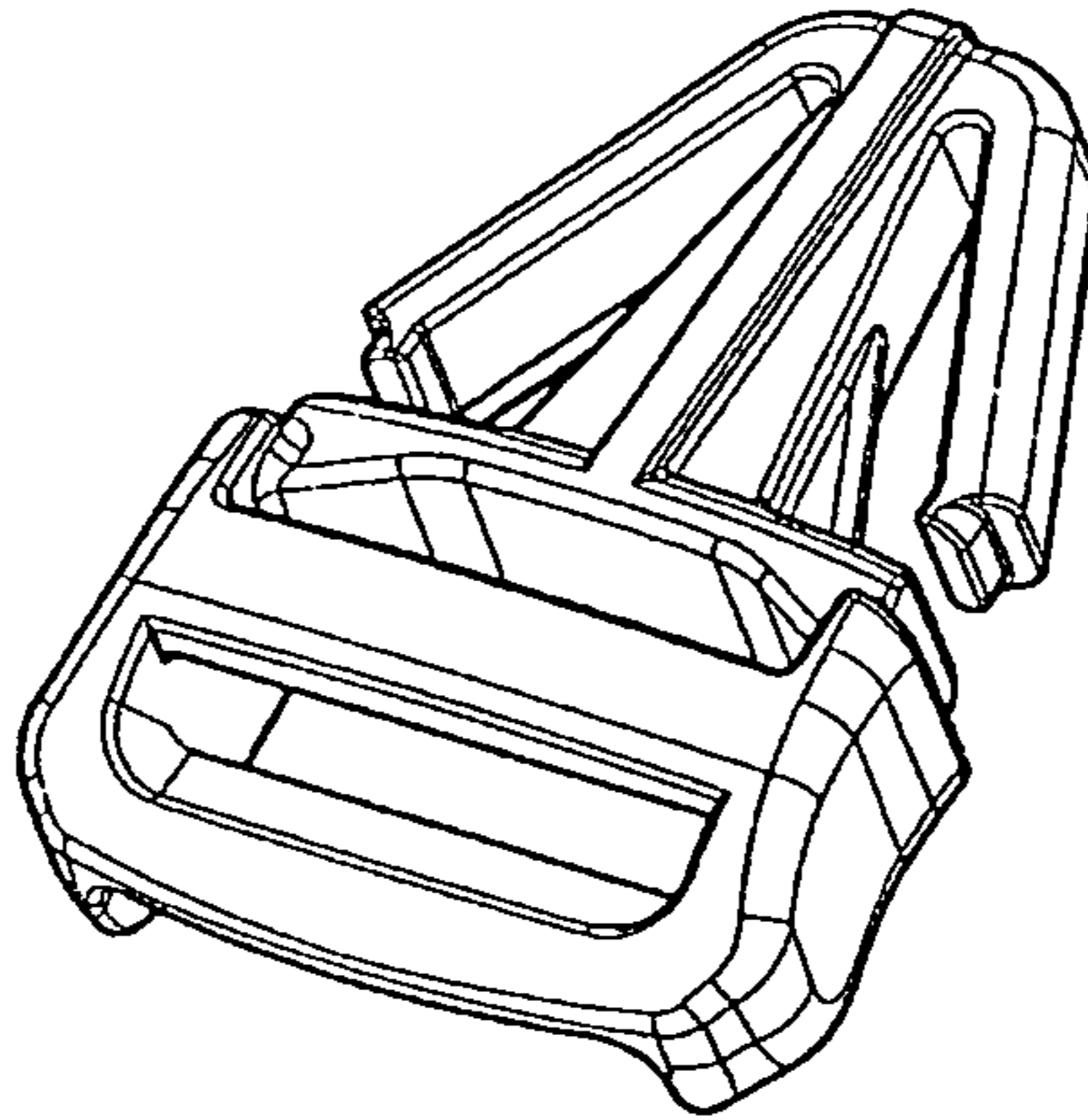


FIG. 10

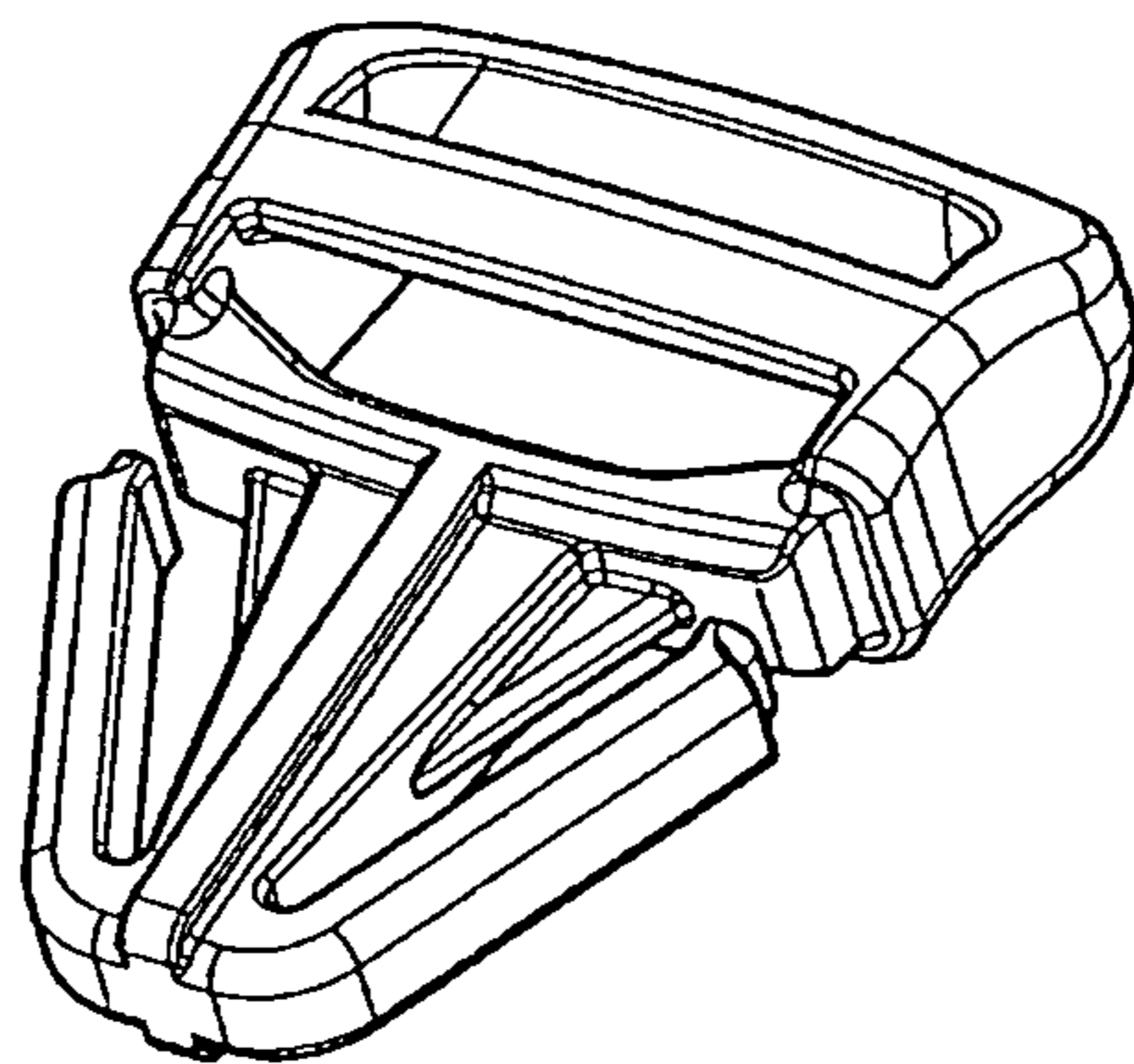


FIG. 11

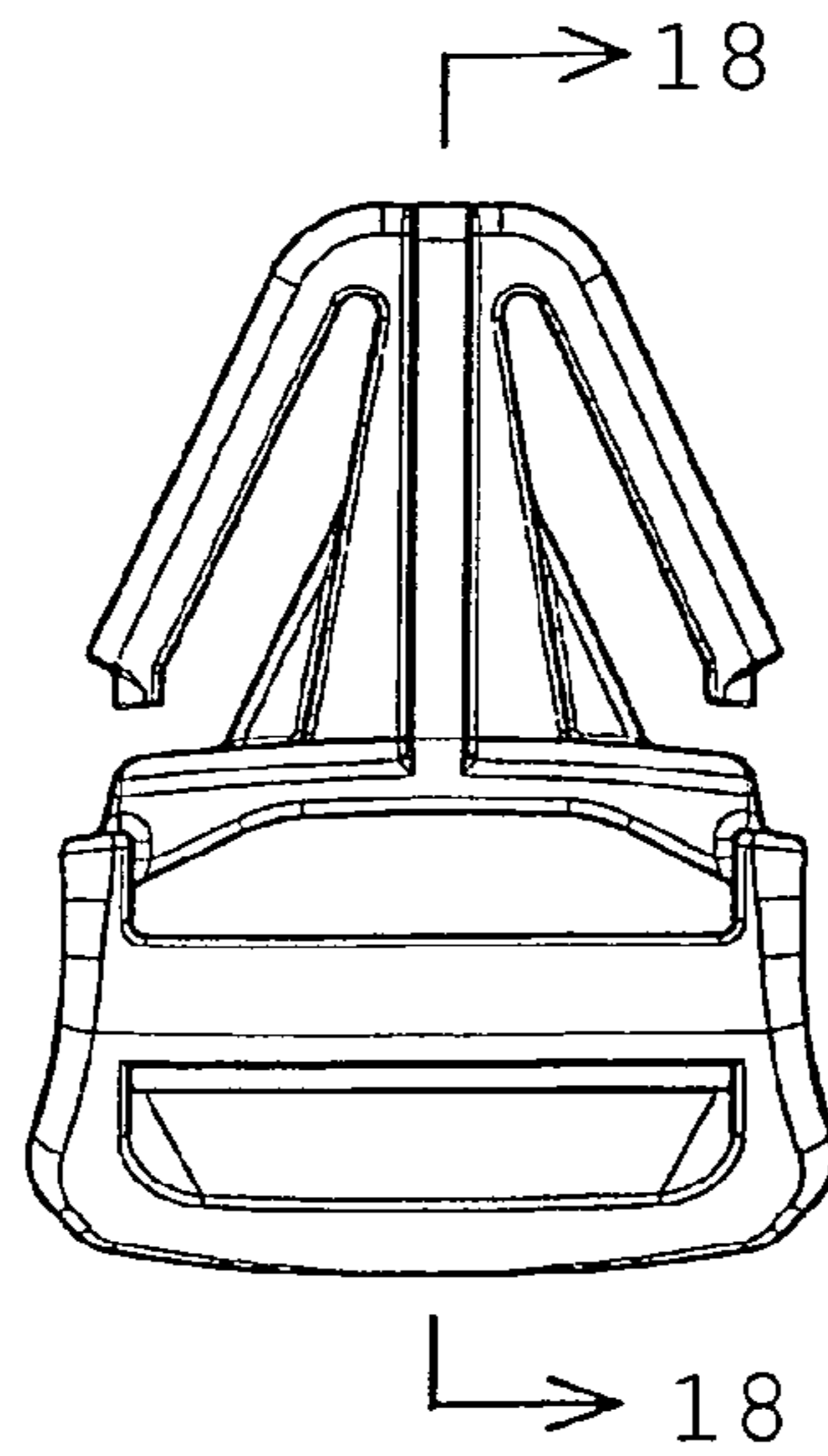


FIG. 12

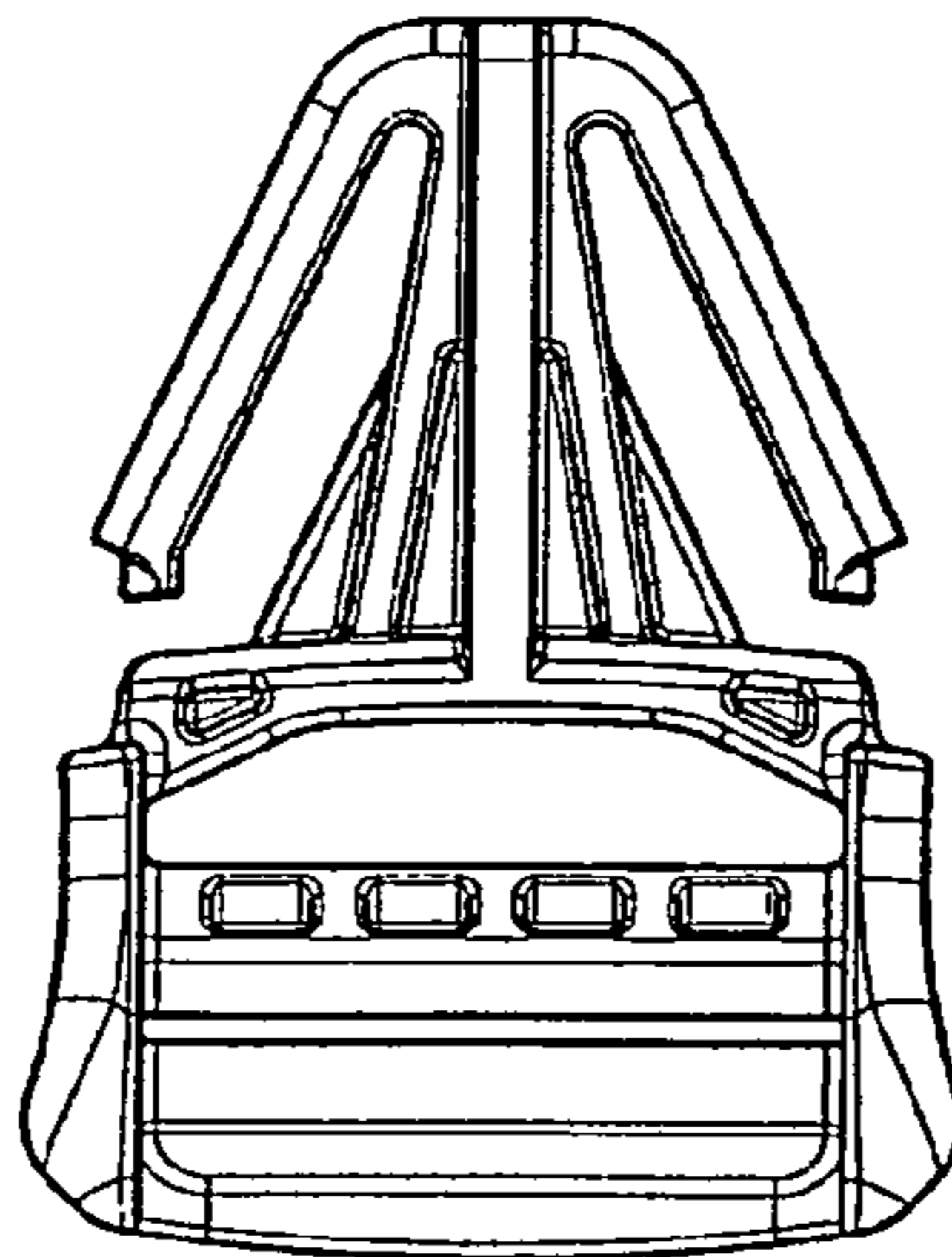


FIG. 13

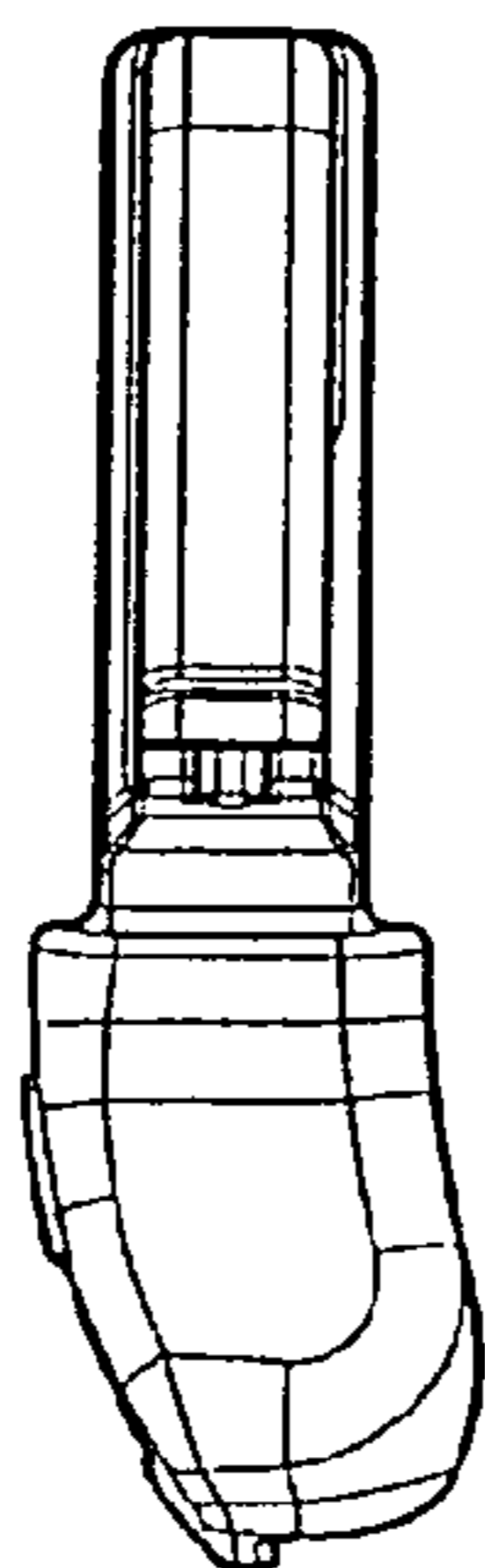


FIG. 14

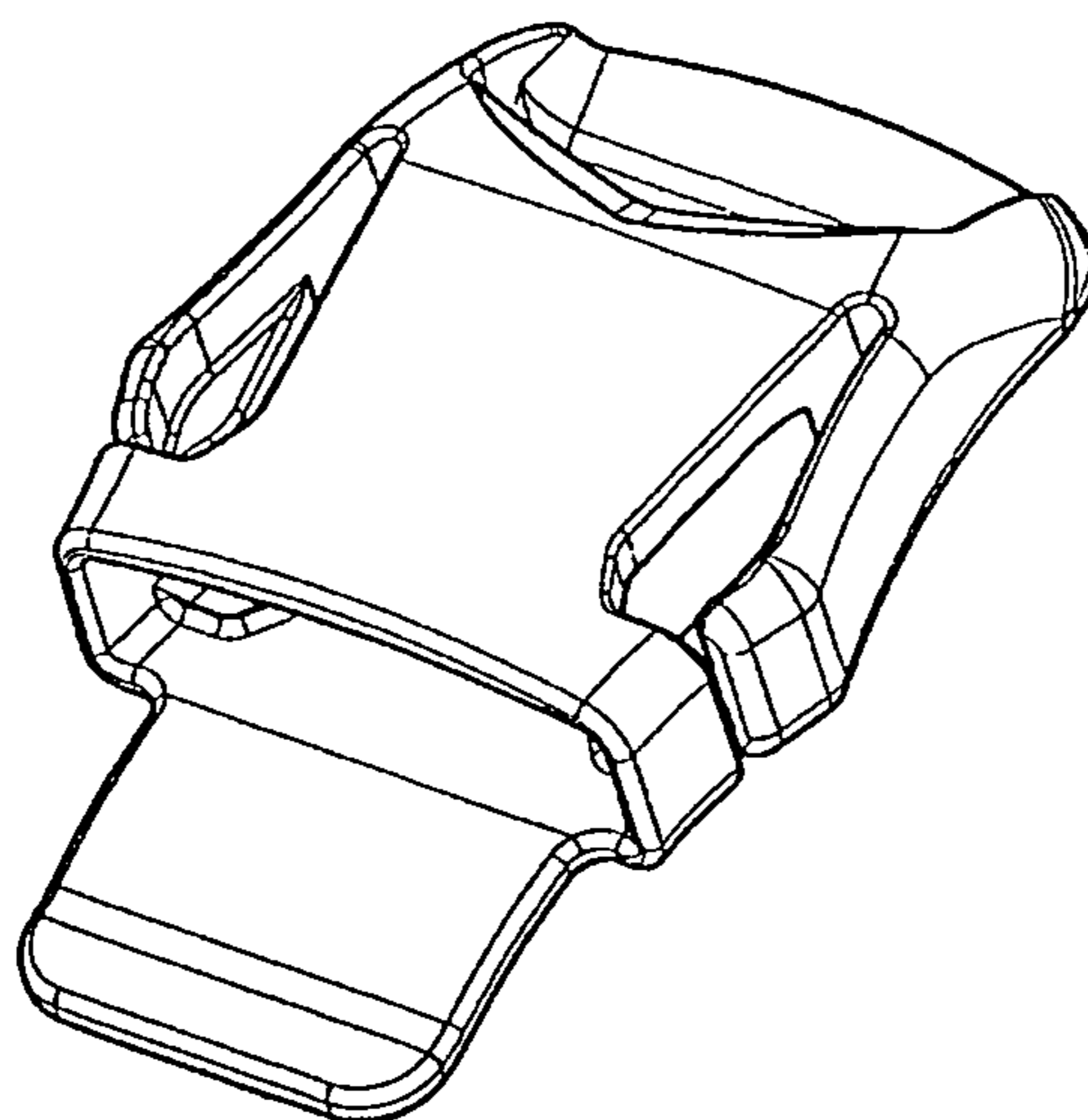


FIG. 15

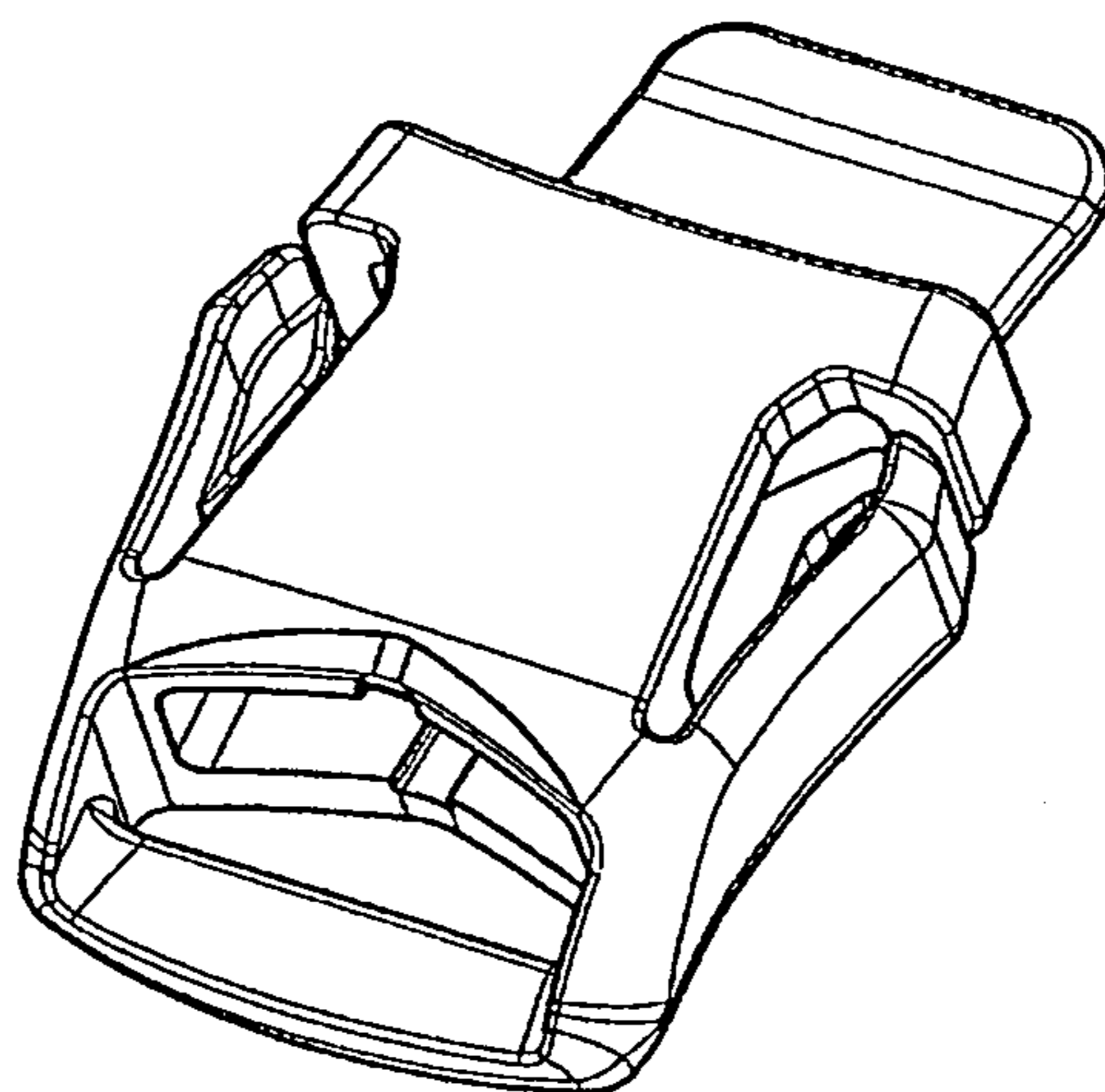
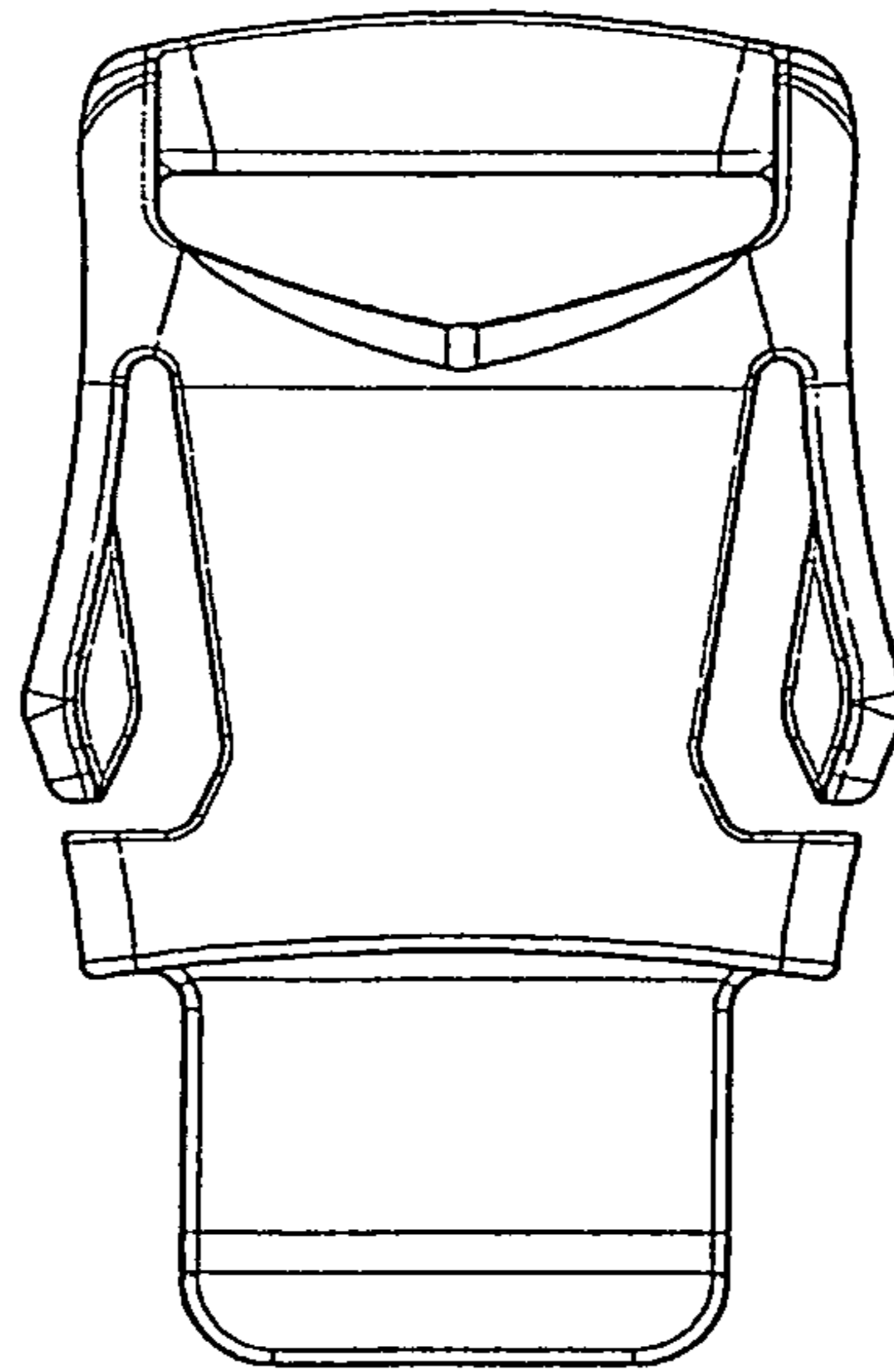


FIG. 16

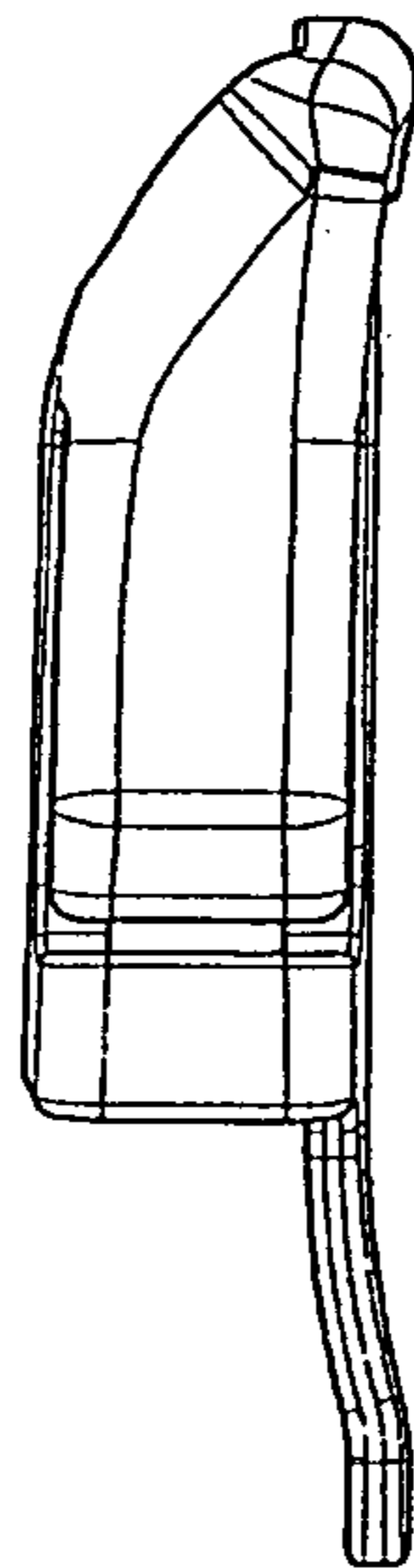
19 ←



19 ←

FIG. 17

20 ←



20 ←

FIG. 18

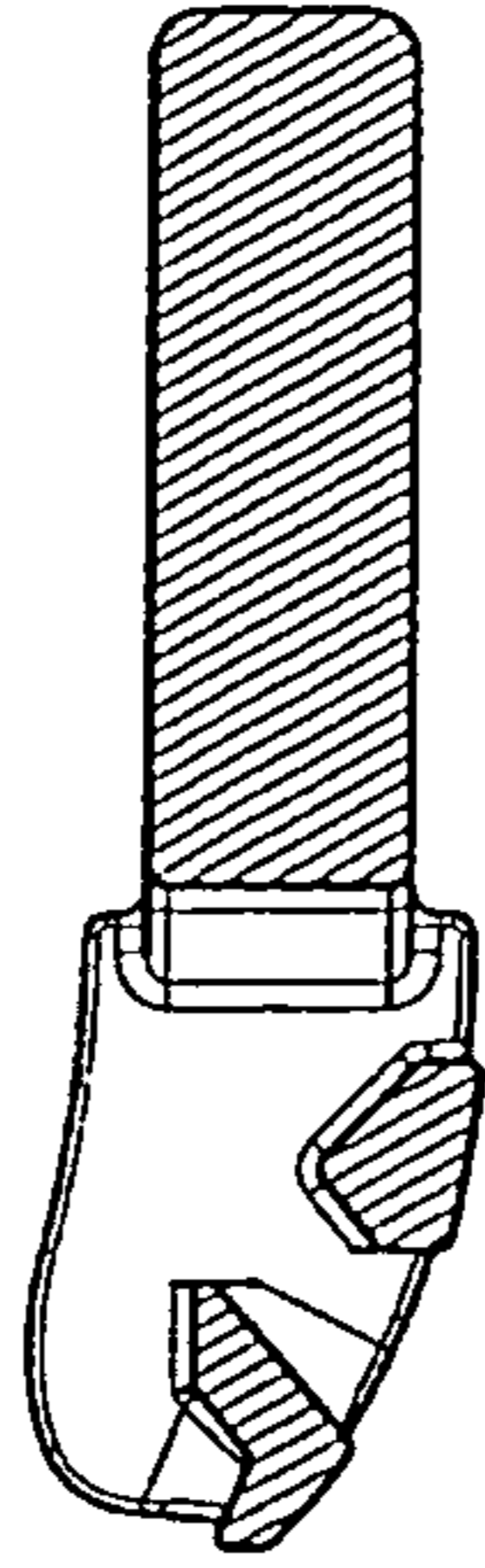


FIG. 19

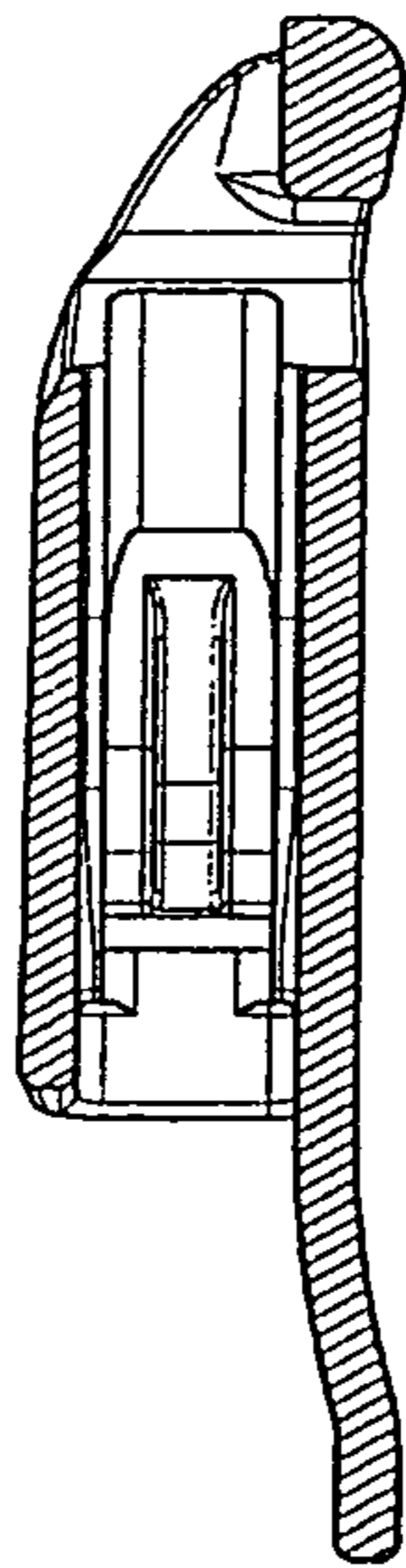


FIG. 20

