



US00D686526S

(12) **United States Design Patent**  
**Kawaguchi**

(10) **Patent No.:** **US D686,526 S**  
(45) **Date of Patent:** **\*\* Jul. 23, 2013**

(54) **BUCKLE**

(75) Inventor: **Gaku Kawaguchi**, Yokohama (JP)

(73) Assignee: **Nifco Inc.**, Yokohama-Shi (JP)

(\*\*) Term: **14 Years**

(21) Appl. No.: **29/421,349**

(22) Filed: **Jul. 9, 2012**

(30) **Foreign Application Priority Data**

Jan. 17, 2012 (JP) ..... 2012-000715

(51) **LOC (9) Cl.** ..... **02-07**

(52) **U.S. Cl.**  
USPC ..... **D11/216**

(58) **Field of Classification Search**  
USPC ..... D11/1-2, 200-201, 206-210, 214-218;  
24/163 R, 169-171, 173, 177-179, 191,  
194-195, 197, 200, 614-616, 625, 198  
See application file for complete search history.

(56) **References Cited**

**U.S. PATENT DOCUMENTS**

D379,161 S \* 5/1997 Matoba ..... D11/216  
D647,818 S \* 11/2011 Kaneko ..... D11/216

\* cited by examiner

*Primary Examiner* — Ralf Seifert

(74) *Attorney, Agent, or Firm* — Manabu Kanesaka

(57) **CLAIM**  
The ornamental design for a buckle, as shown and described.

**DESCRIPTION**

FIG. 1 is a perspective view of a buckle showing my new design;  
FIG. 2 is another perspective view thereof;  
FIG. 3 is a front view thereof;  
FIG. 4 is a rear view thereof;  
FIG. 5 is a right side view thereof;  
FIG. 6 is a left side view thereof;  
FIG. 7 is a plan view thereof;  
FIG. 8 is a bottom view thereof;  
FIG. 9 is a perspective view of a male body;  
FIG. 10 is another perspective view thereof;  
FIG. 11 is a front view thereof;  
FIG. 12 is a rear view thereof;  
FIG. 13 is a right side view thereof;  
FIG. 14 is a perspective view of a female body;  
FIG. 15 is another perspective view thereof;  
FIG. 16 is a front view thereof;  
FIG. 17 is a right side view thereof;  
FIG. 18 is a cross-sectional view of the male body along the line 18-18 in FIG. 11;  
FIG. 19 is a cross-sectional view of the female body along the line 19-19 in FIG. 16; and,  
FIG. 20 is a cross-sectional view thereof along the line 20-20 in FIG. 17.  
Outer thick lines indicate outer shapes of the buckle, and inner thin lines indicate inner contour of the buckle for illustration purpose.

**1 Claim, 8 Drawing Sheets**

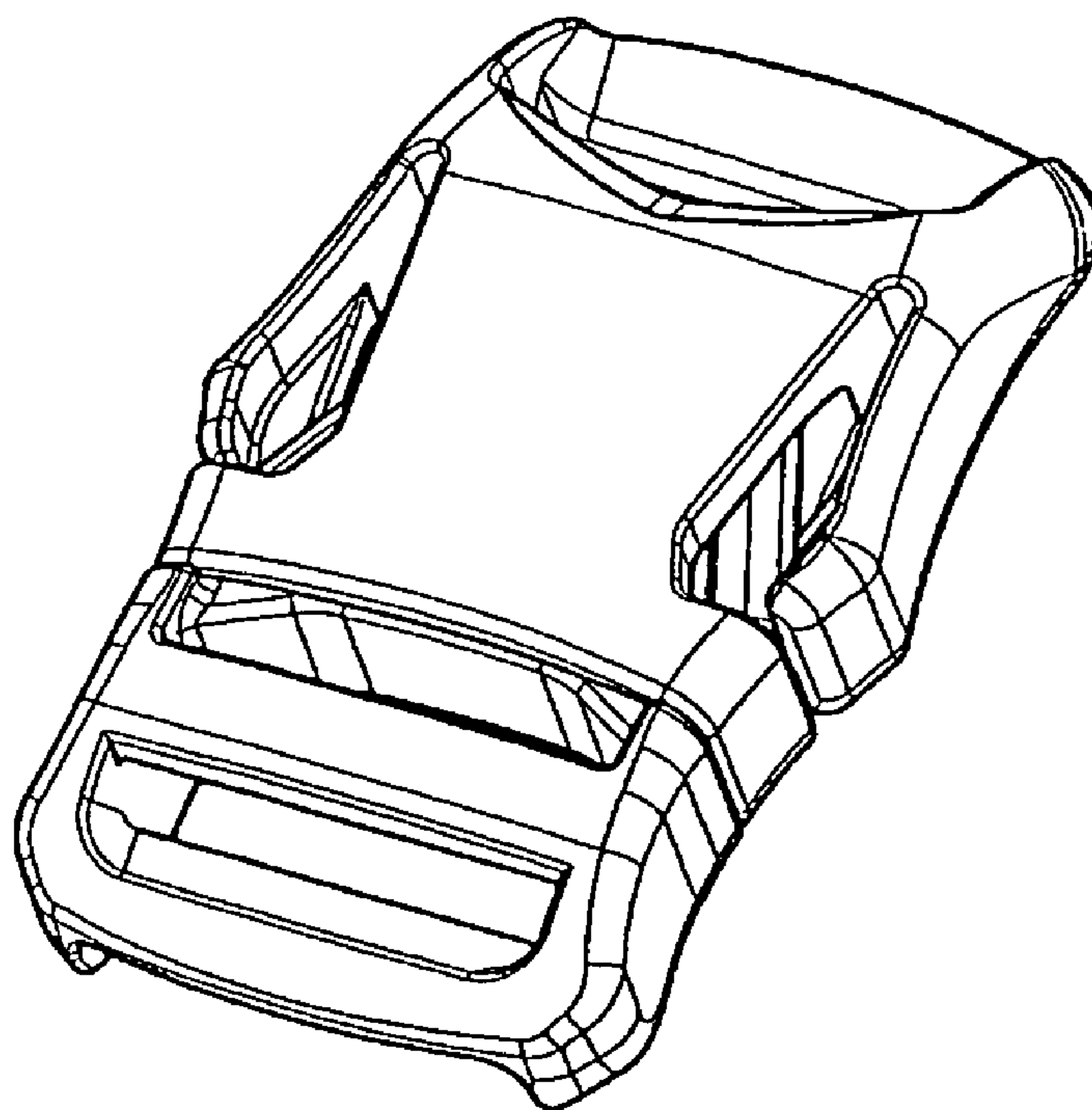


FIG. 1

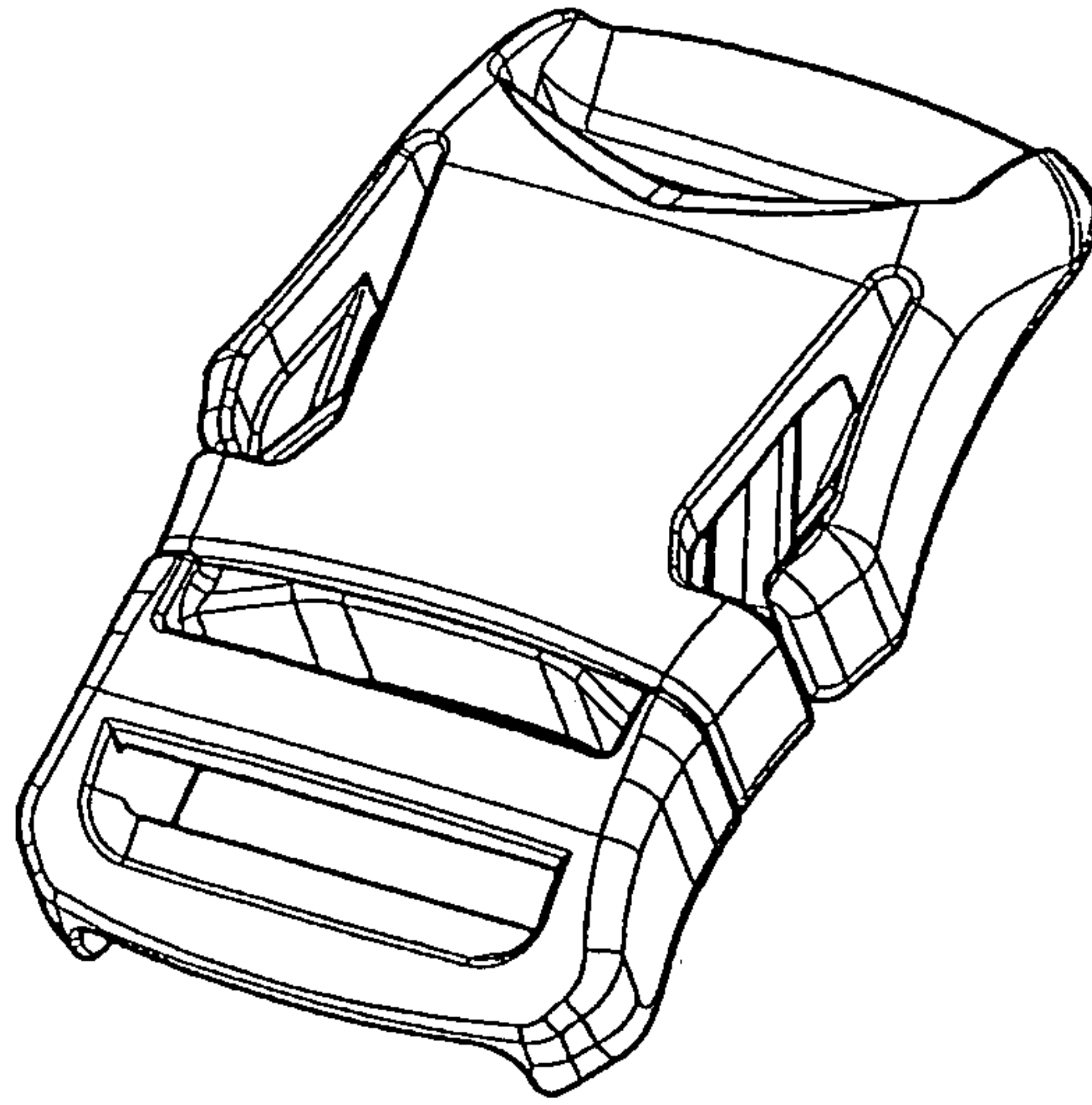


FIG. 2

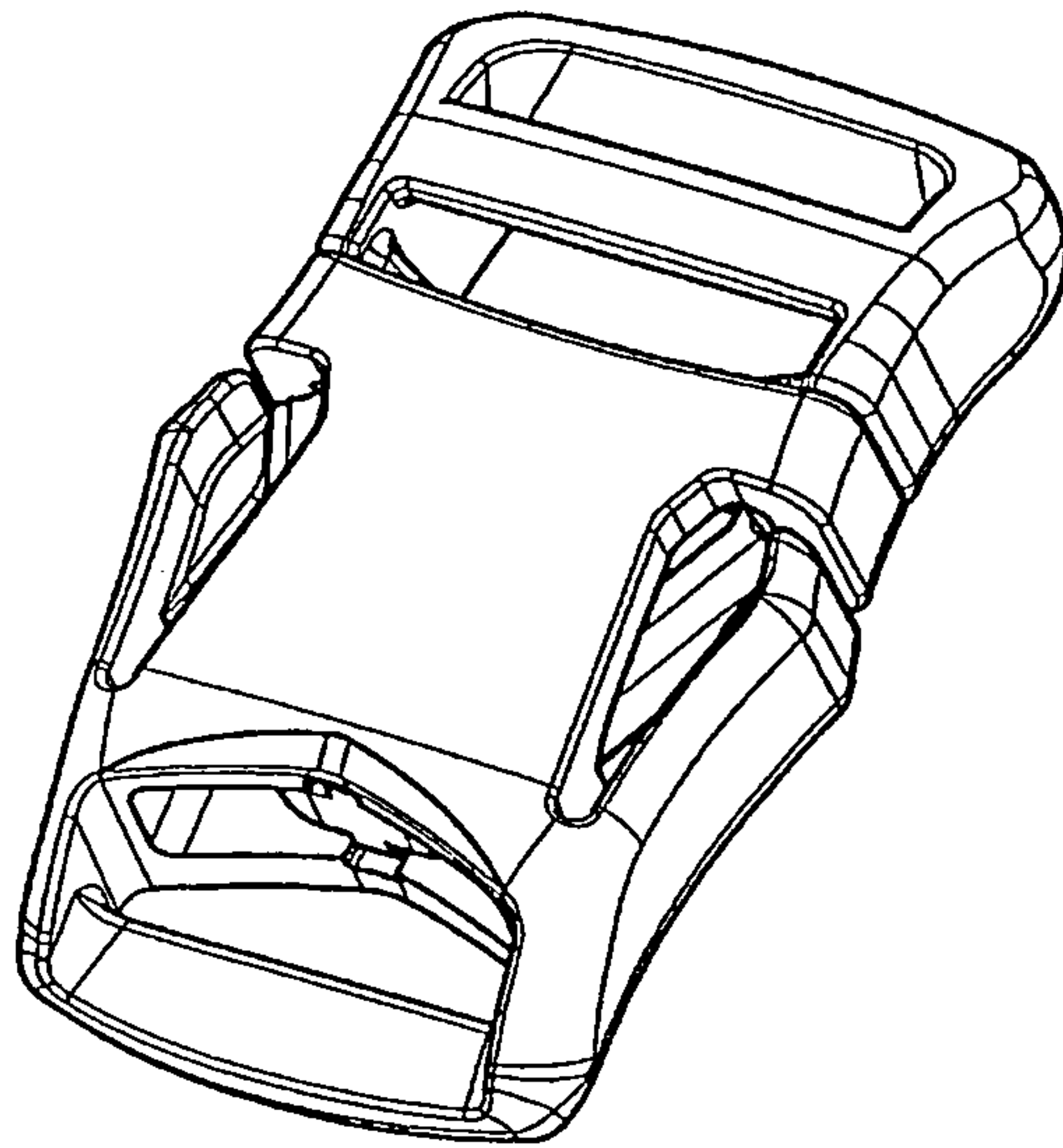


FIG. 3

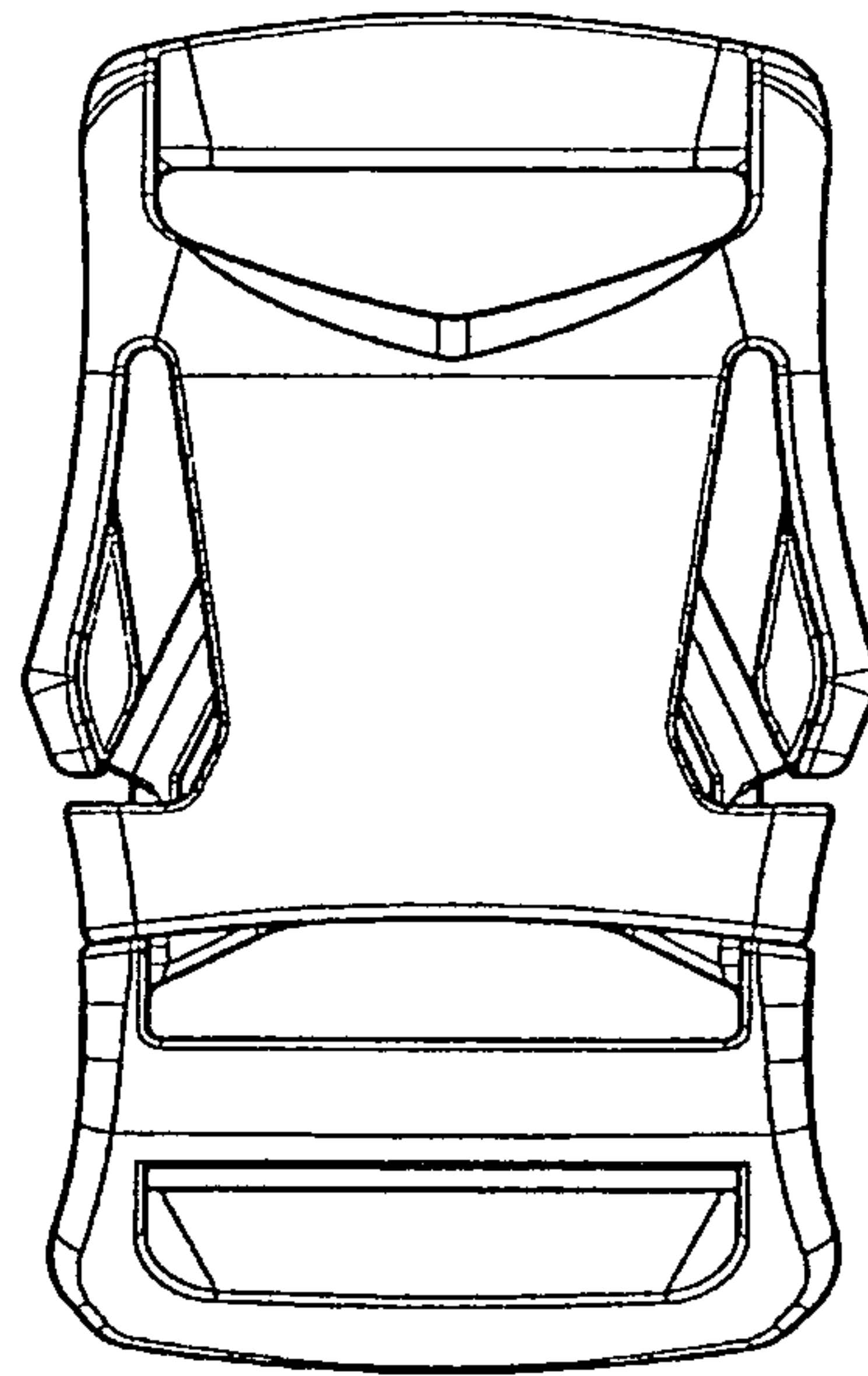


FIG. 4

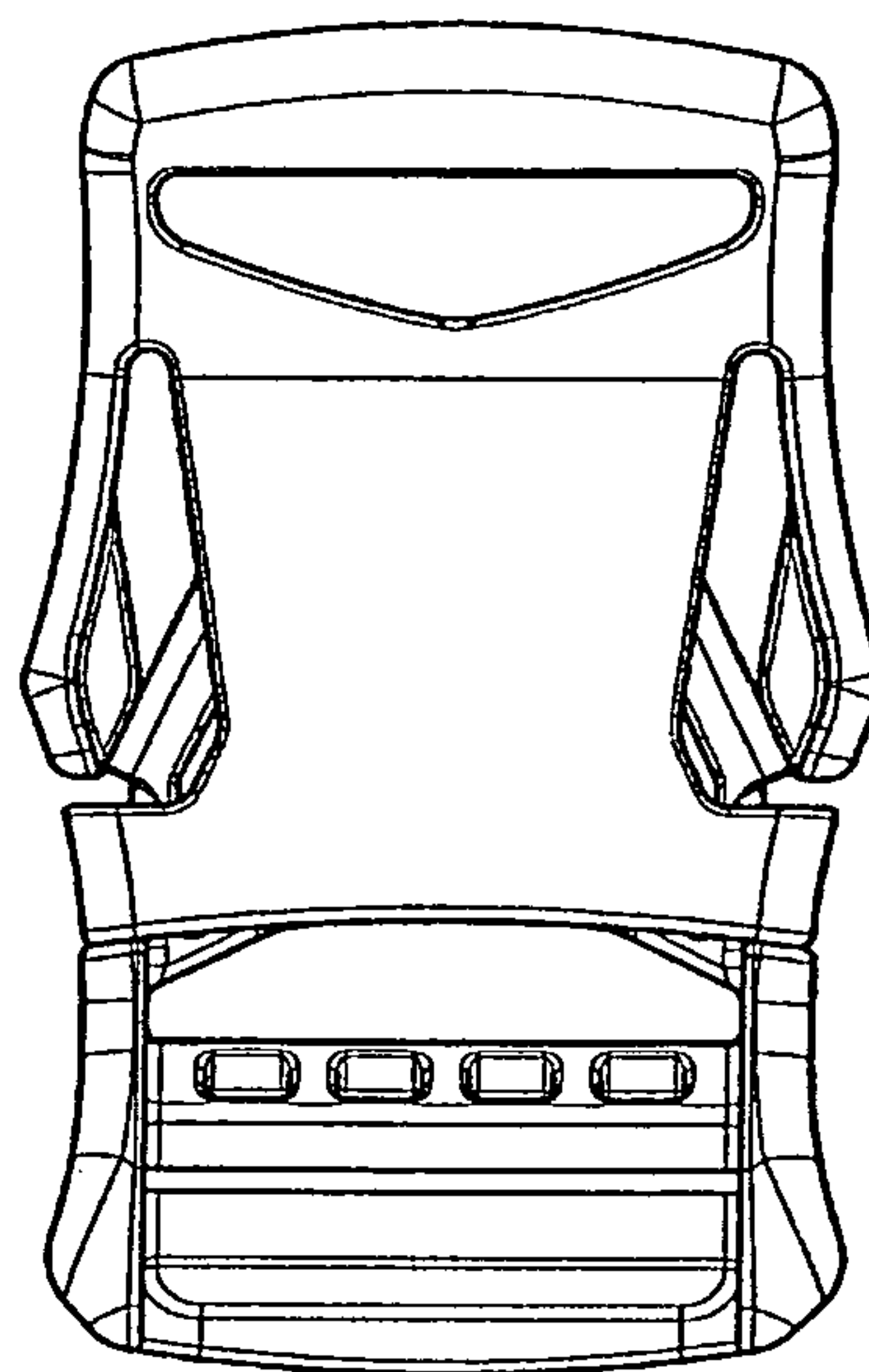


FIG. 5

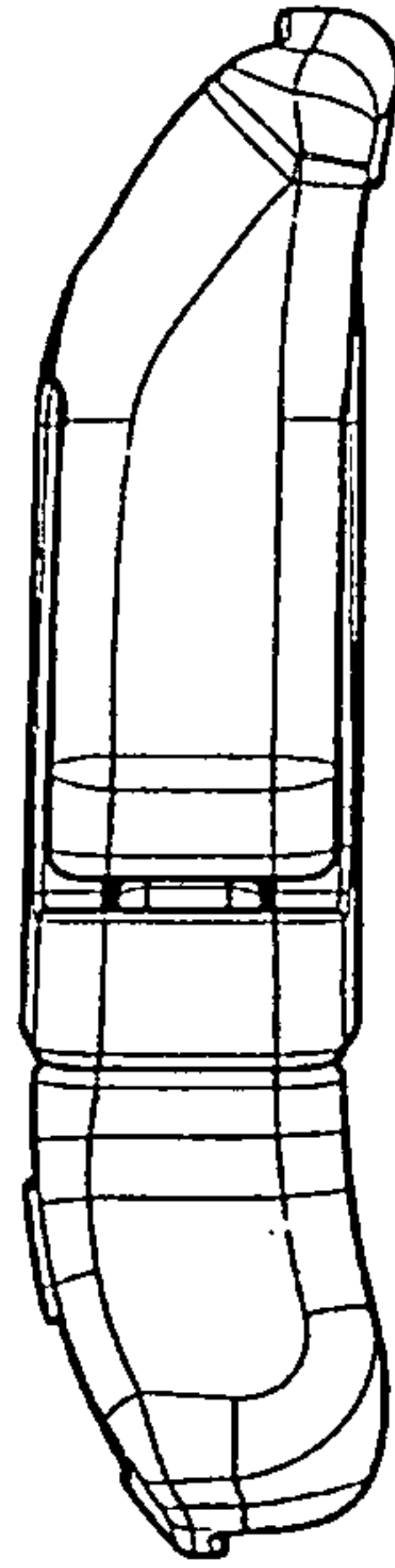


FIG. 6

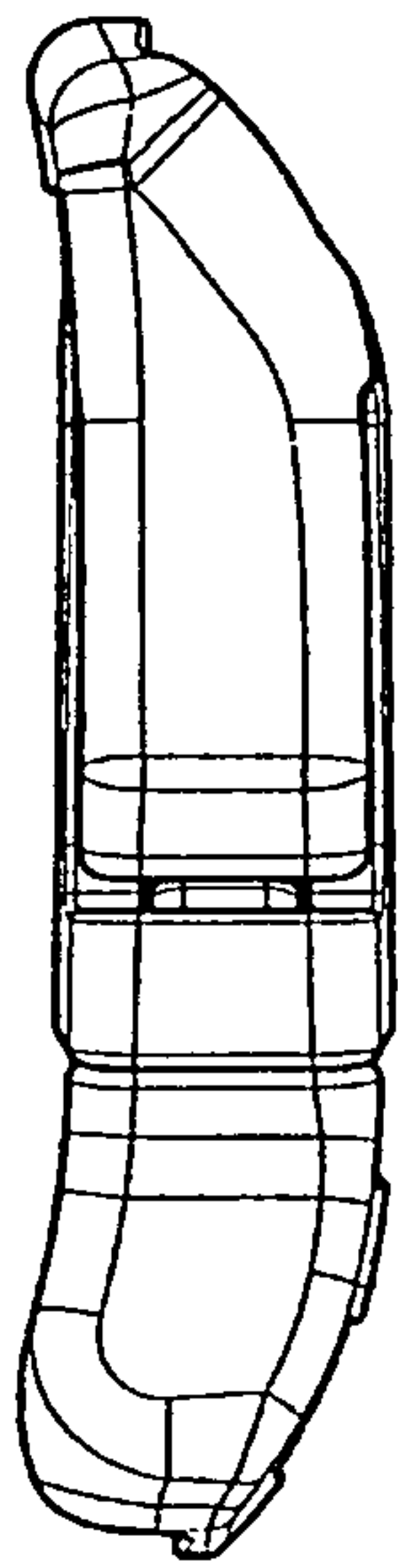


FIG. 7

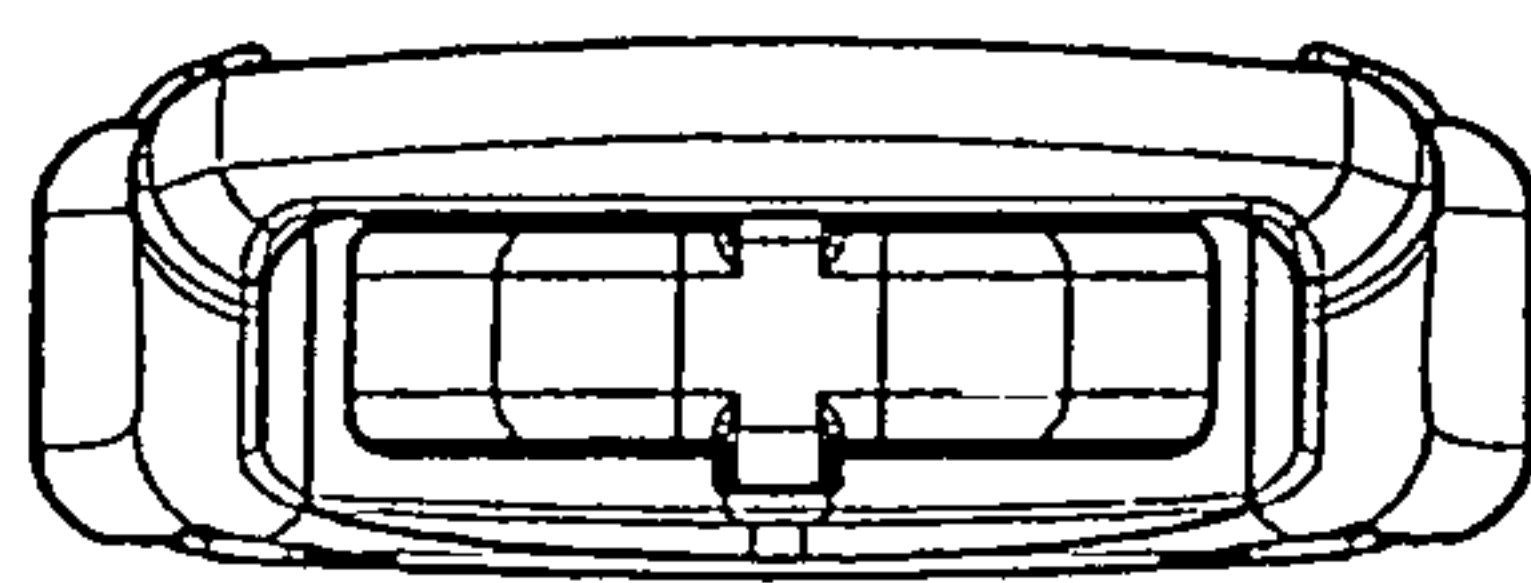


FIG. 8

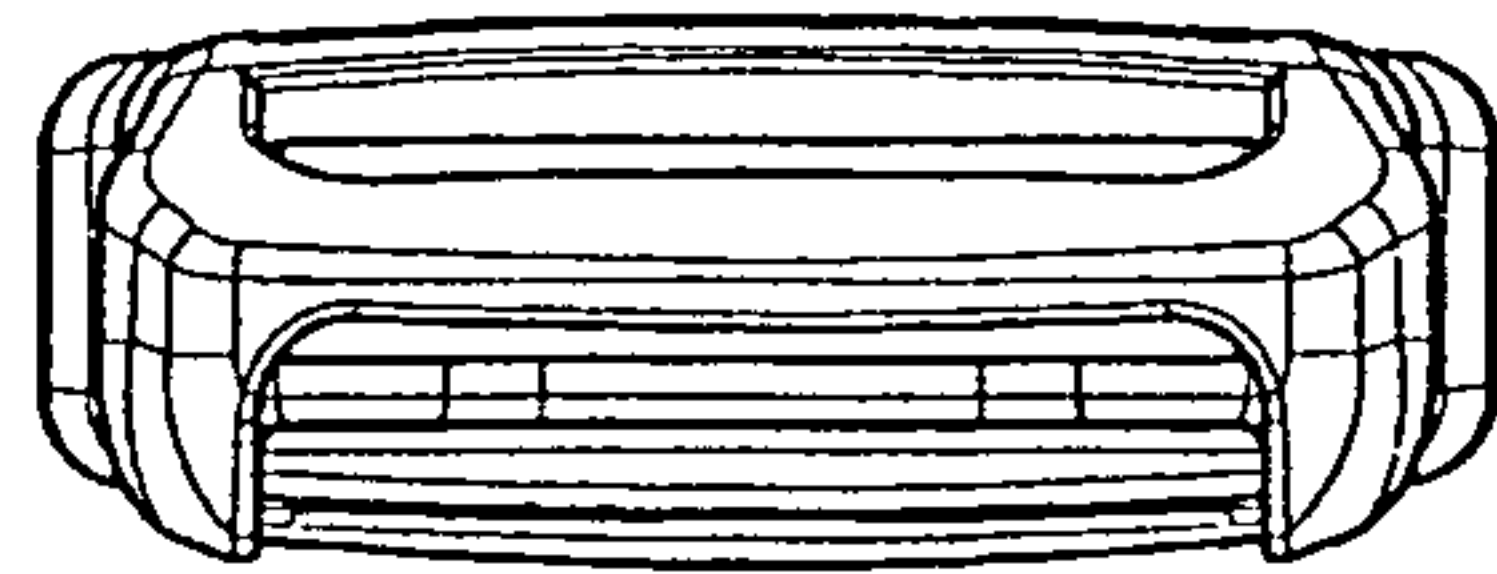


FIG. 9

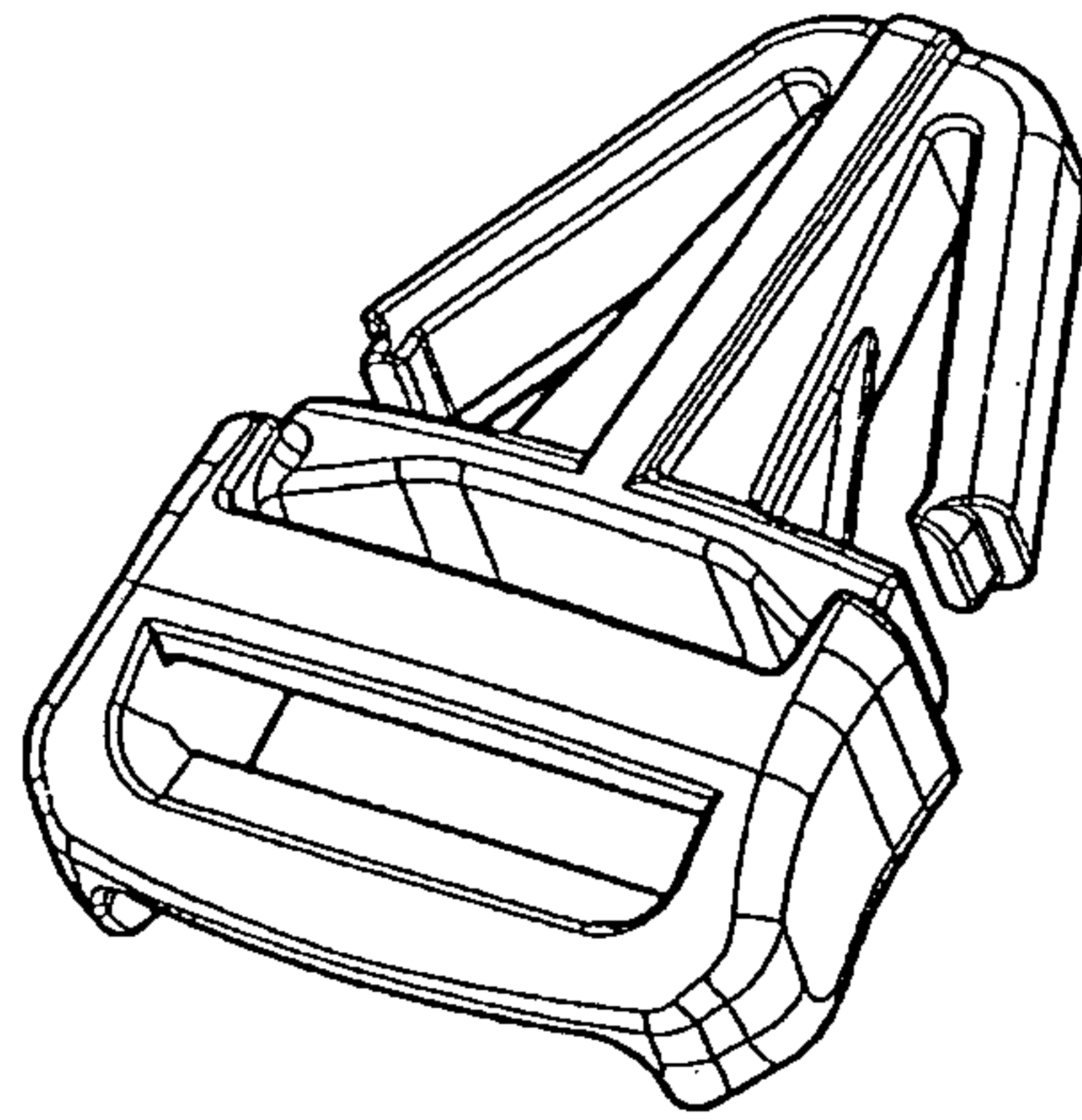


FIG. 10

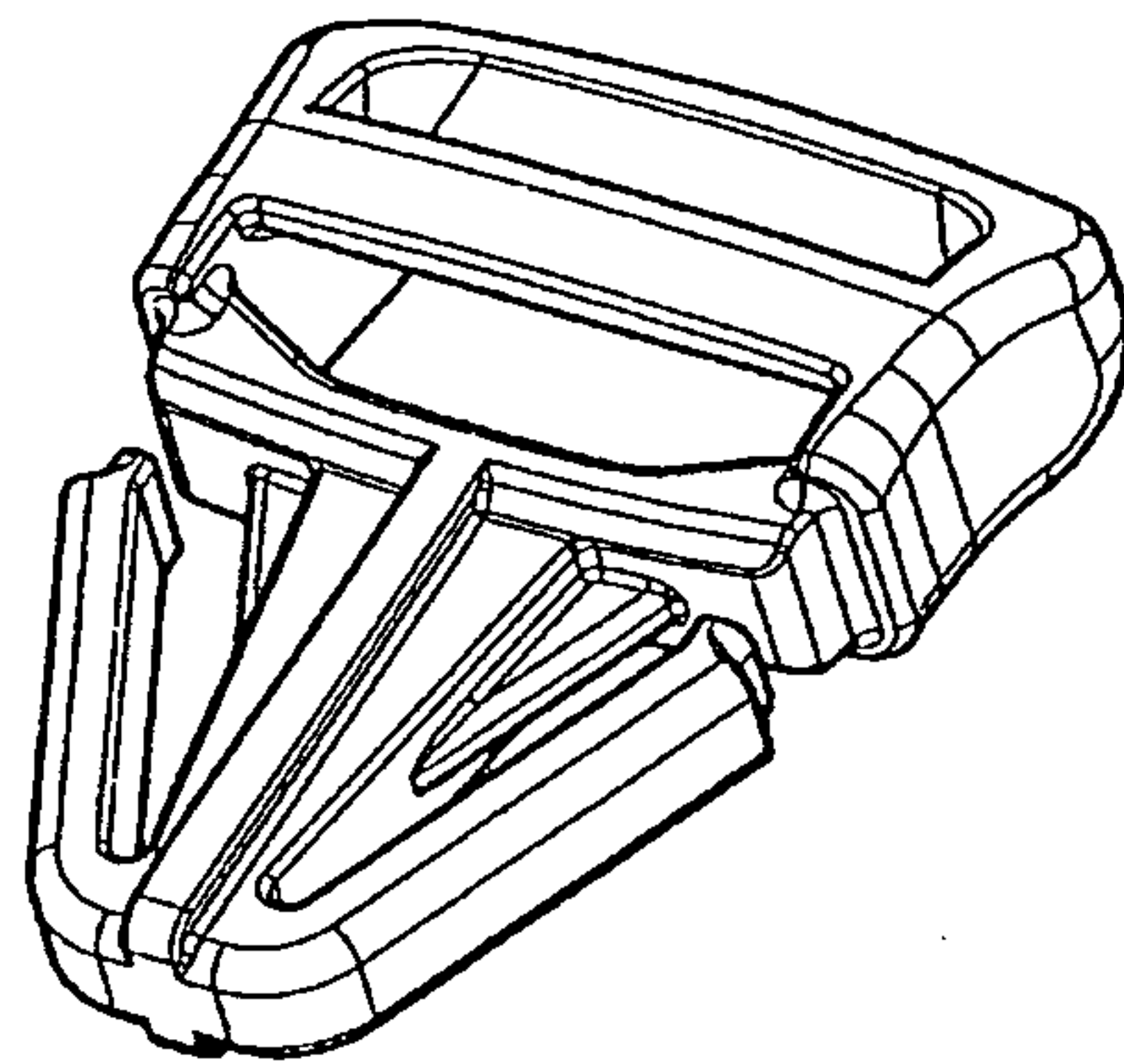




FIG. 11

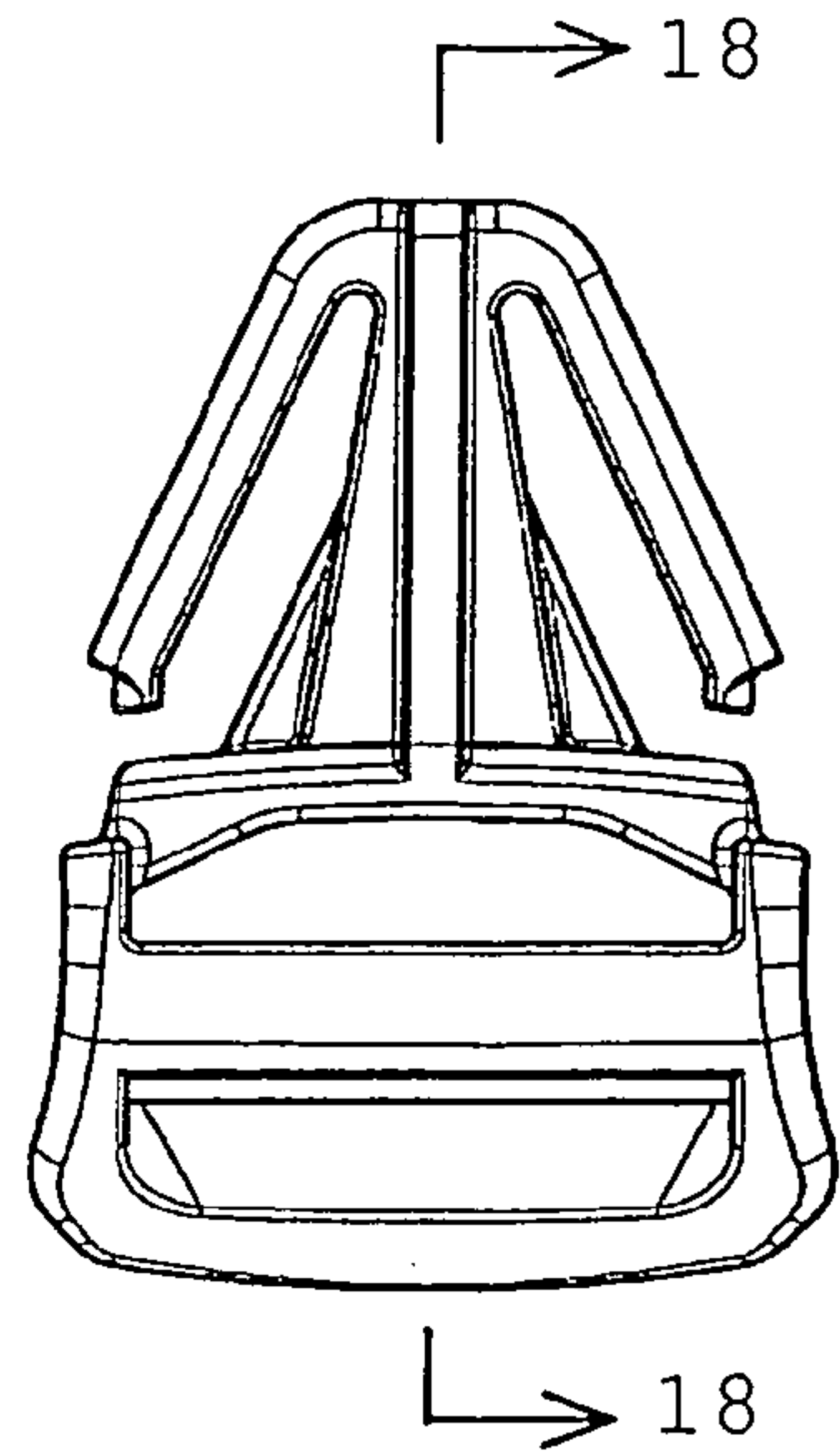


FIG. 12

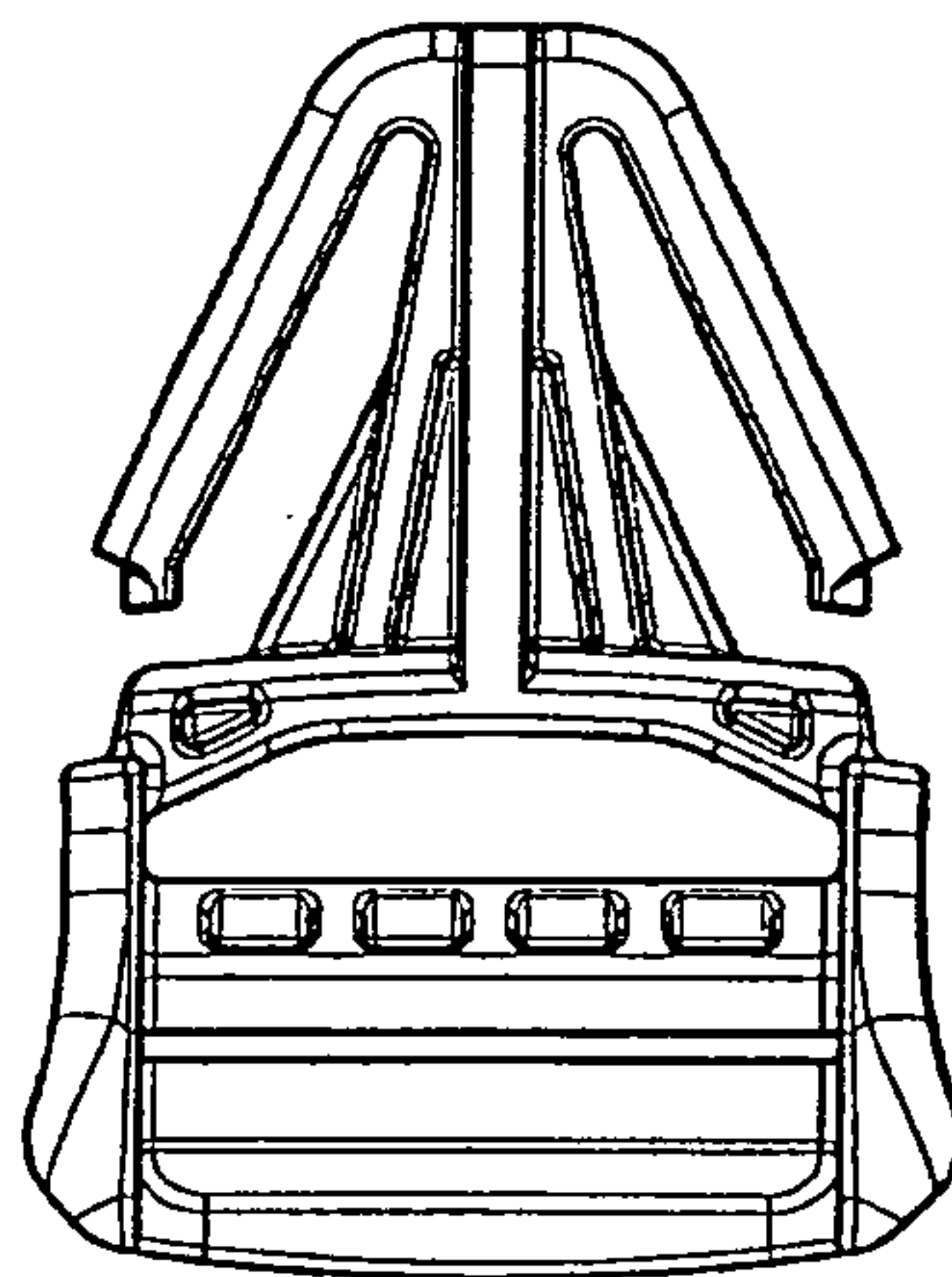


FIG. 13

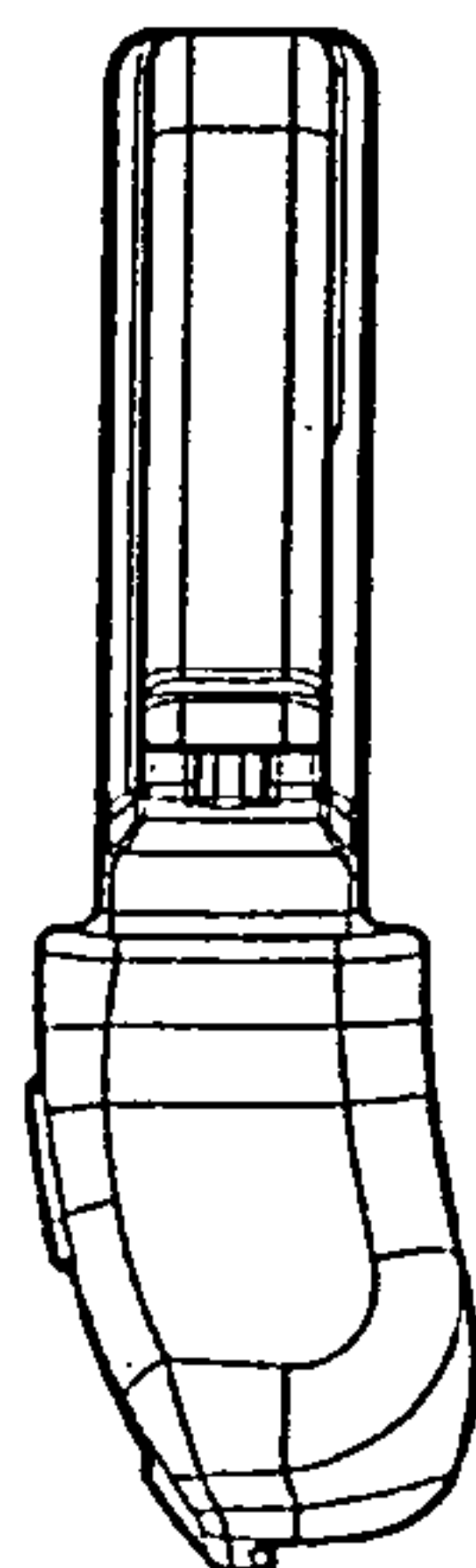


FIG. 14

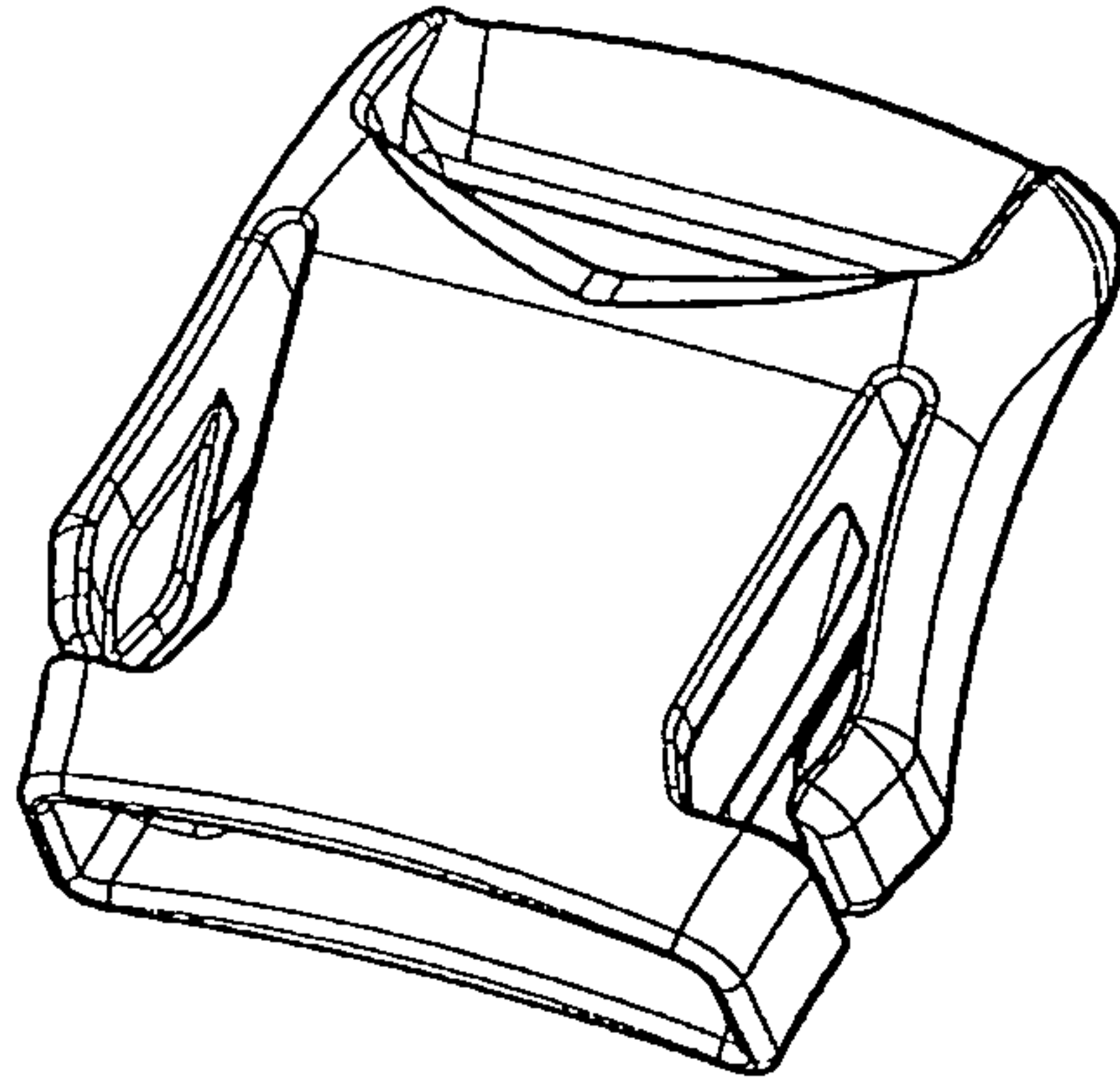


FIG. 15

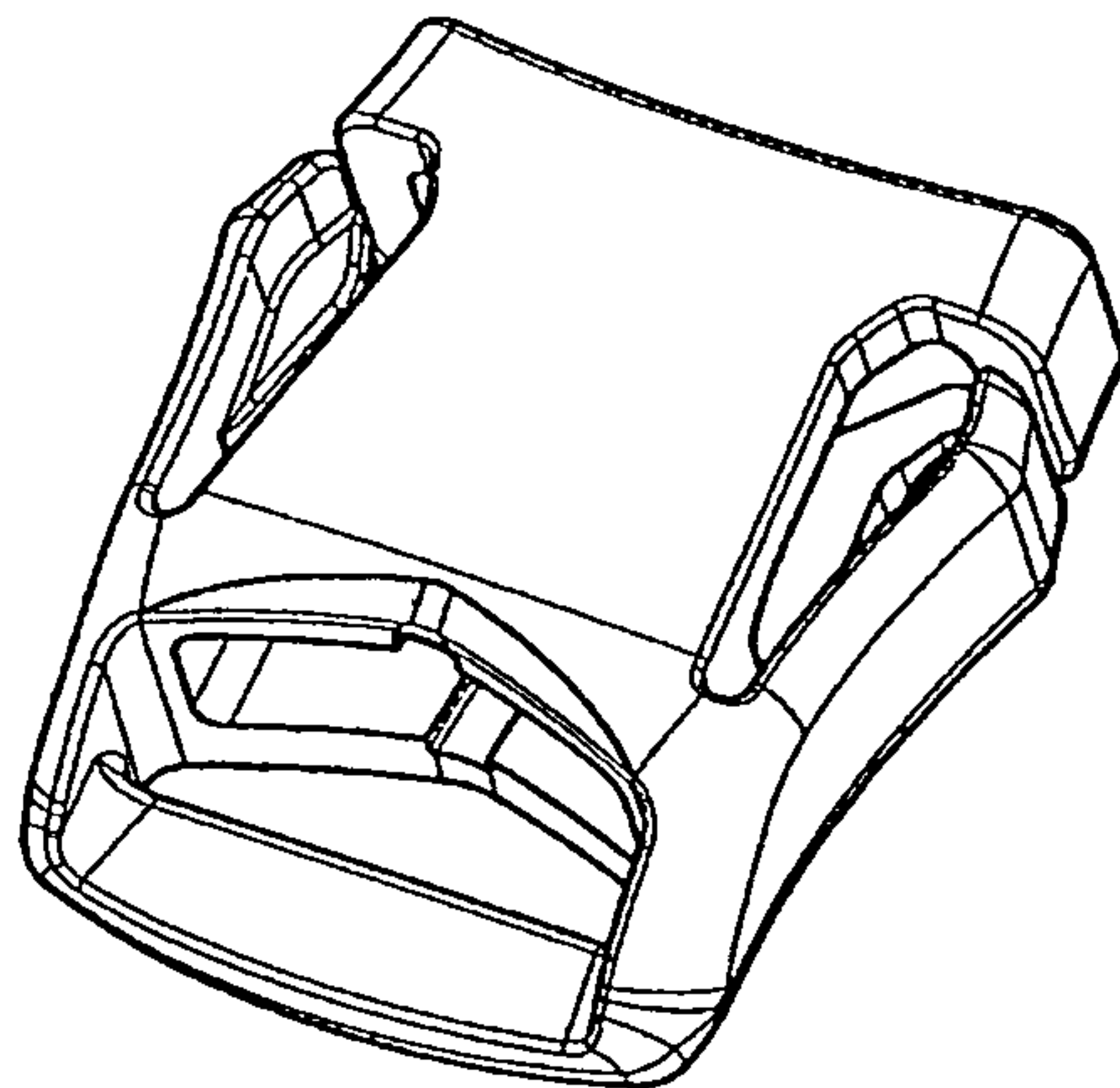
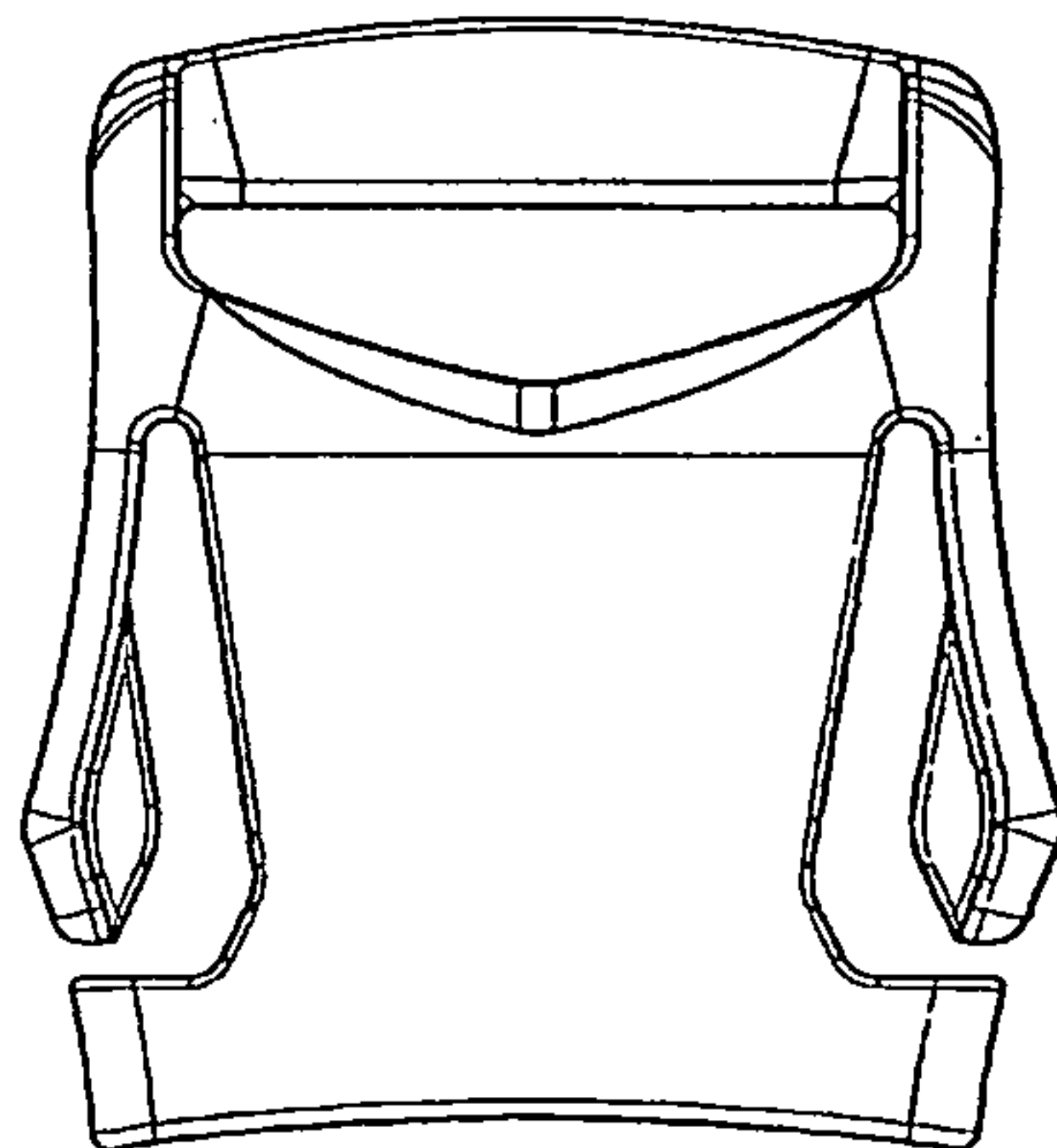


FIG. 16

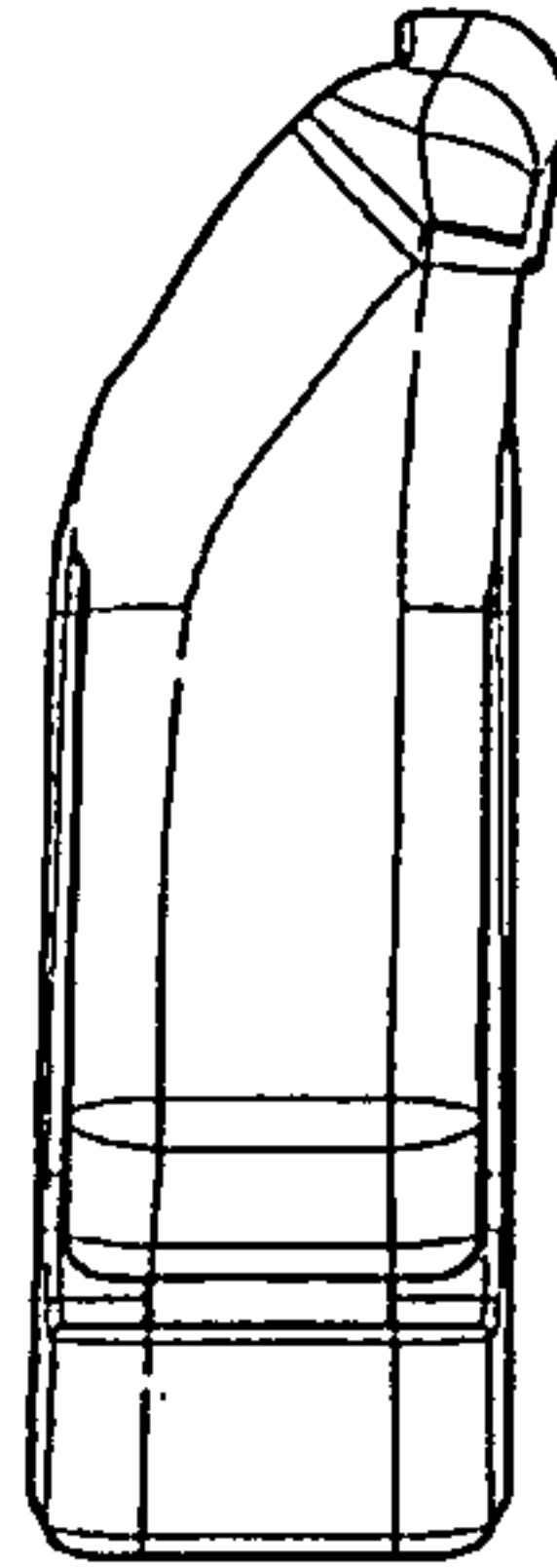
19 ←



19 ←

FIG. 17

20 ←



20 ←

FIG. 18

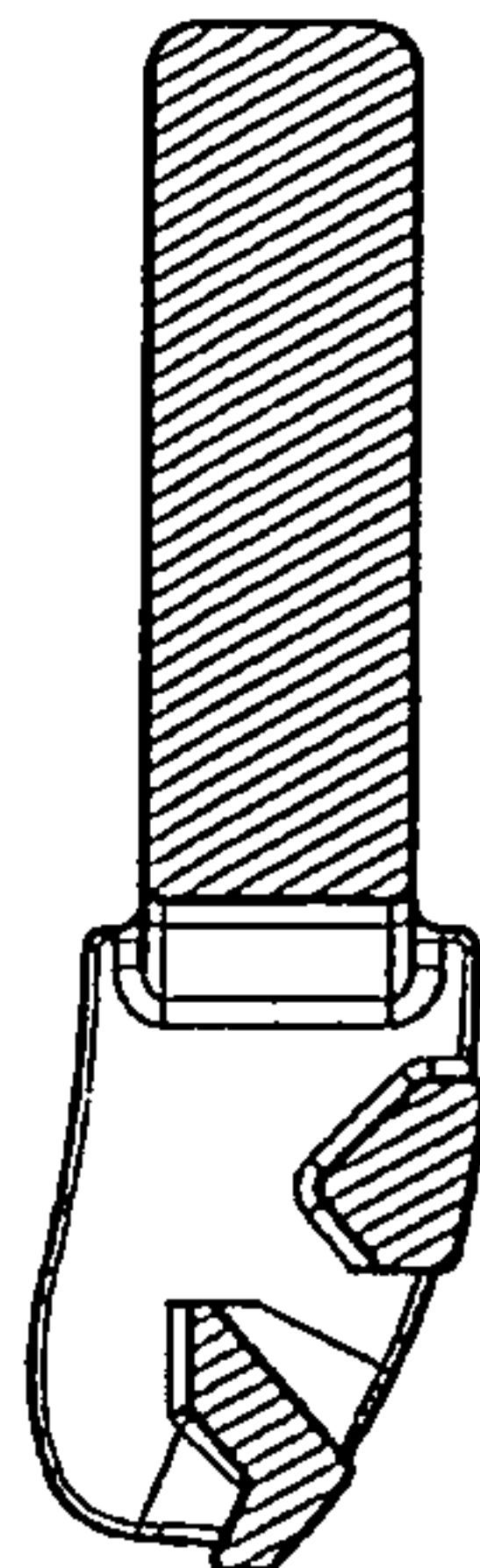


FIG. 19

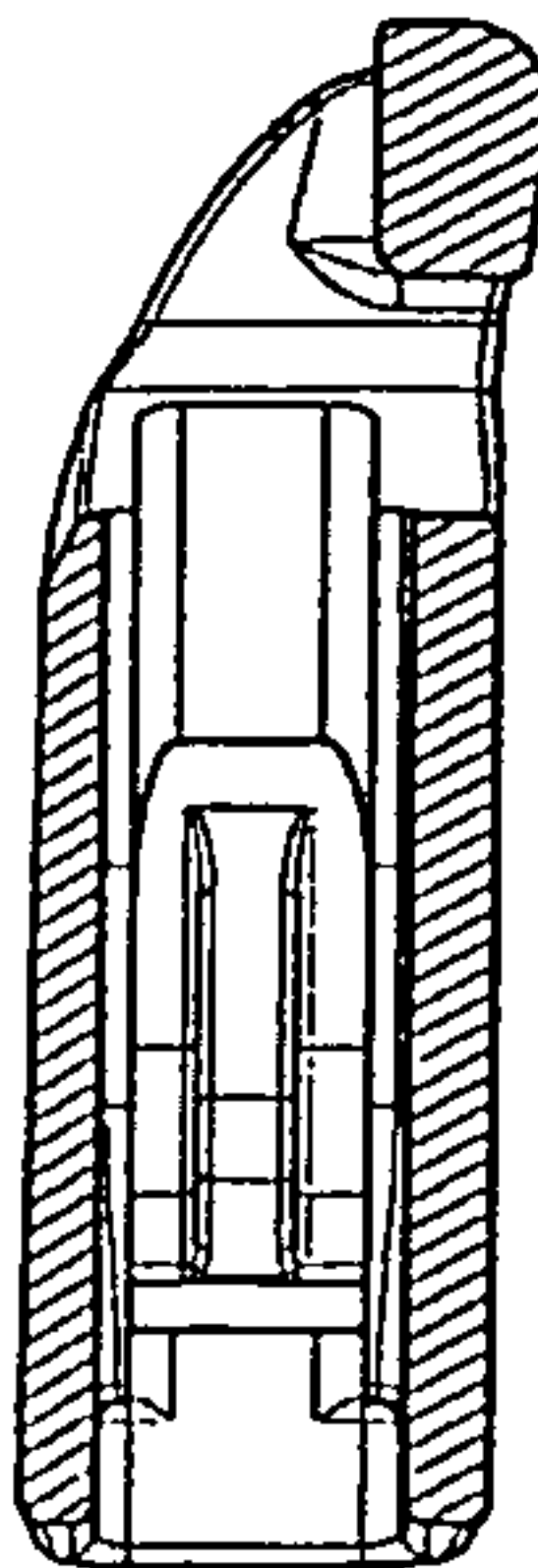




FIG. 20

