



US00D686523S

(12) **United States Design Patent**  
**Chen**

(10) **Patent No.:** **US D686,523 S**  
(45) **Date of Patent:** **\*\* Jul. 23, 2013**

(54) **ARTIFICIAL TREE TRUNK**  
(75) Inventor: **Johnny Chen**, Sindian (TW)  
(73) Assignee: **Willis Electric Co., Ltd.**, Taipei (TW)  
(\*\*) Term: **14 Years**  
(21) Appl. No.: **29/392,195**

4,054,696 A 10/1977 Crownover  
4,057,665 A 11/1977 Szulewski  
4,248,916 A 2/1981 Chase  
4,343,842 A \* 8/1982 Chase ..... 428/8  
4,437,782 A 3/1984 Geisthoff  
4,447,279 A 5/1984 Boisvert et al.  
4,451,510 A 5/1984 Boisvert et al.  
5,106,661 A 4/1992 Pitts, Sr.  
5,336,536 A 8/1994 Oberzan  
5,437,311 A \* 8/1995 Reynolds ..... 138/115

(Continued)

(22) Filed: **May 18, 2011**  
(51) **LOC (9) Cl.** ..... **06-99**  
(52) **U.S. Cl.**  
USPC ..... **D11/130**  
(58) **Field of Classification Search**  
USPC ..... D11/117, 118, 121, 130, 130.1, 131,  
D11/143, 144, 146, 152, 153, 164; D23/259,  
D23/262, 266; 428/7, 8, 9, 12, 15, 18, 19,  
428/20; 211/205, 196, 197  
See application file for complete search history.

**FOREIGN PATENT DOCUMENTS**

EP 0 527 711 A2 2/1993  
GB 2 189 389 A 10/1987

*Primary Examiner* — Elizabeth J Oswecki  
(74) *Attorney, Agent, or Firm* — Christensen Fonder P.A.

(57) **CLAIM**  
I claim the ornamental design for an artificial tree trunk, as shown.

(56) **References Cited**

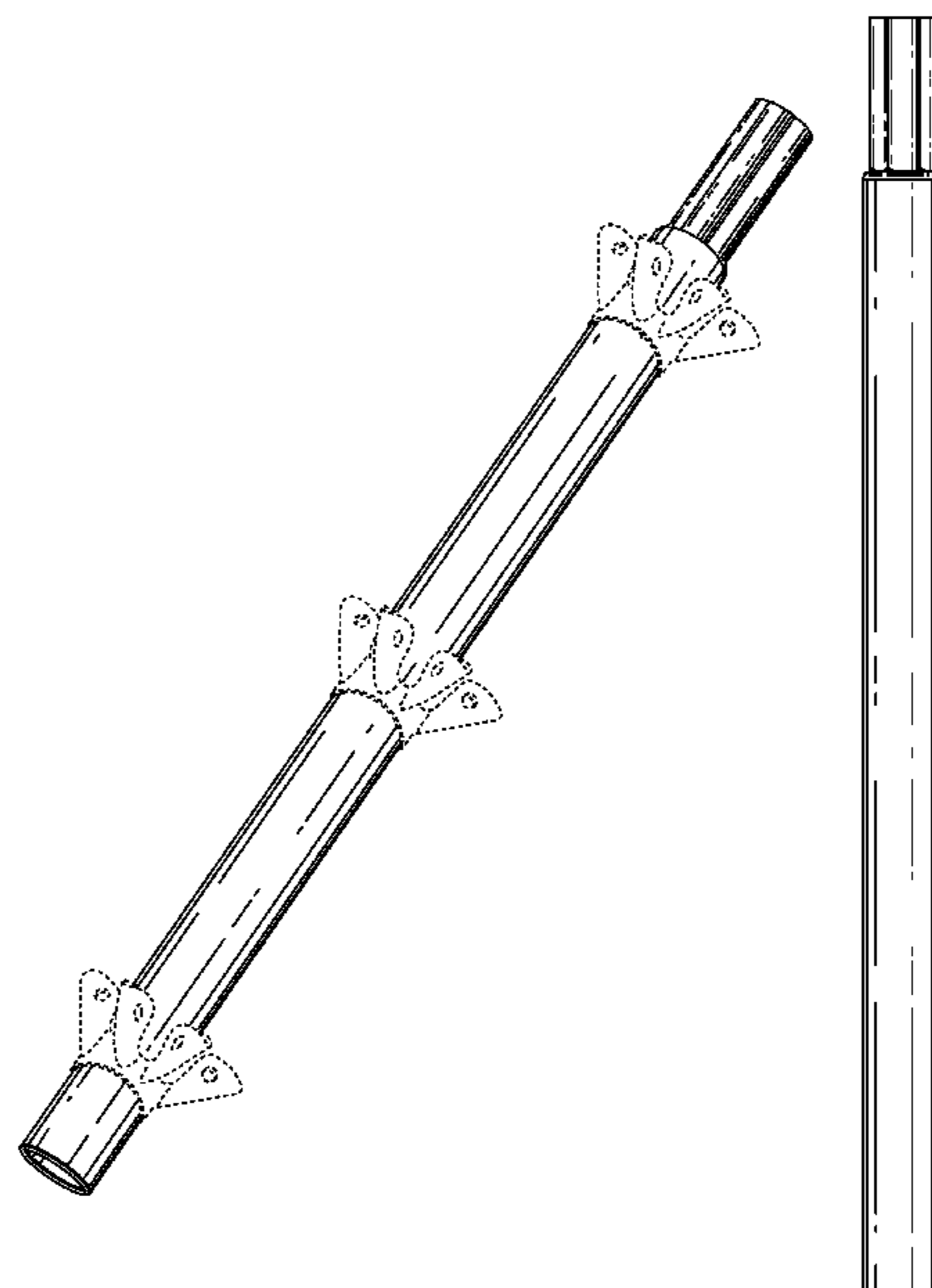
**DESCRIPTION**

**U.S. PATENT DOCUMENTS**

D33,462 S \* 10/1900 Stebbins ..... D23/266  
860,406 A 7/1907 McGahan  
1,589,850 A \* 6/1926 Haskell ..... 426/138  
1,656,148 A 1/1928 Harris  
1,930,285 A \* 10/1933 Robinson ..... 138/143  
2,186,351 A 1/1940 Stojaneck  
2,624,366 A \* 1/1953 Pugh ..... 138/115  
2,841,634 A 7/1958 Kimball  
3,131,112 A 4/1964 Abramson  
3,159,523 A 12/1964 Abramson  
3,176,123 A 3/1965 Blake  
3,249,377 A 5/1966 Weasler  
3,520,561 A 7/1970 Rininger  
3,616,107 A 10/1971 Kershner  
3,814,138 A \* 6/1974 Courtot ..... 138/124  
3,959,536 A 5/1976 Chase  
3,970,834 A 7/1976 Smith  
4,020,201 A 4/1977 Miller

FIG. 1 is a front perspective view of an artificial tree trunk showing my new design;  
FIG. 2 is a top plan view of the artificial tree trunk of FIG. 1;  
FIG. 3 is a bottom plan view of the artificial tree trunk of FIG. 1;  
FIG. 4 is a front elevation view of the artificial tree trunk of FIG. 1;  
FIG. 5 is a right-side elevation view of the artificial tree trunk of FIG. 1;  
FIG. 6 is a rear elevation view of the artificial tree trunk of FIG. 1;  
FIG. 7 is a left-side elevation view of the artificial tree trunk of FIG. 1; and,  
FIG. 8 is another perspective view of the artificial tree trunk of FIG. 1.

**1 Claim, 4 Drawing Sheets**



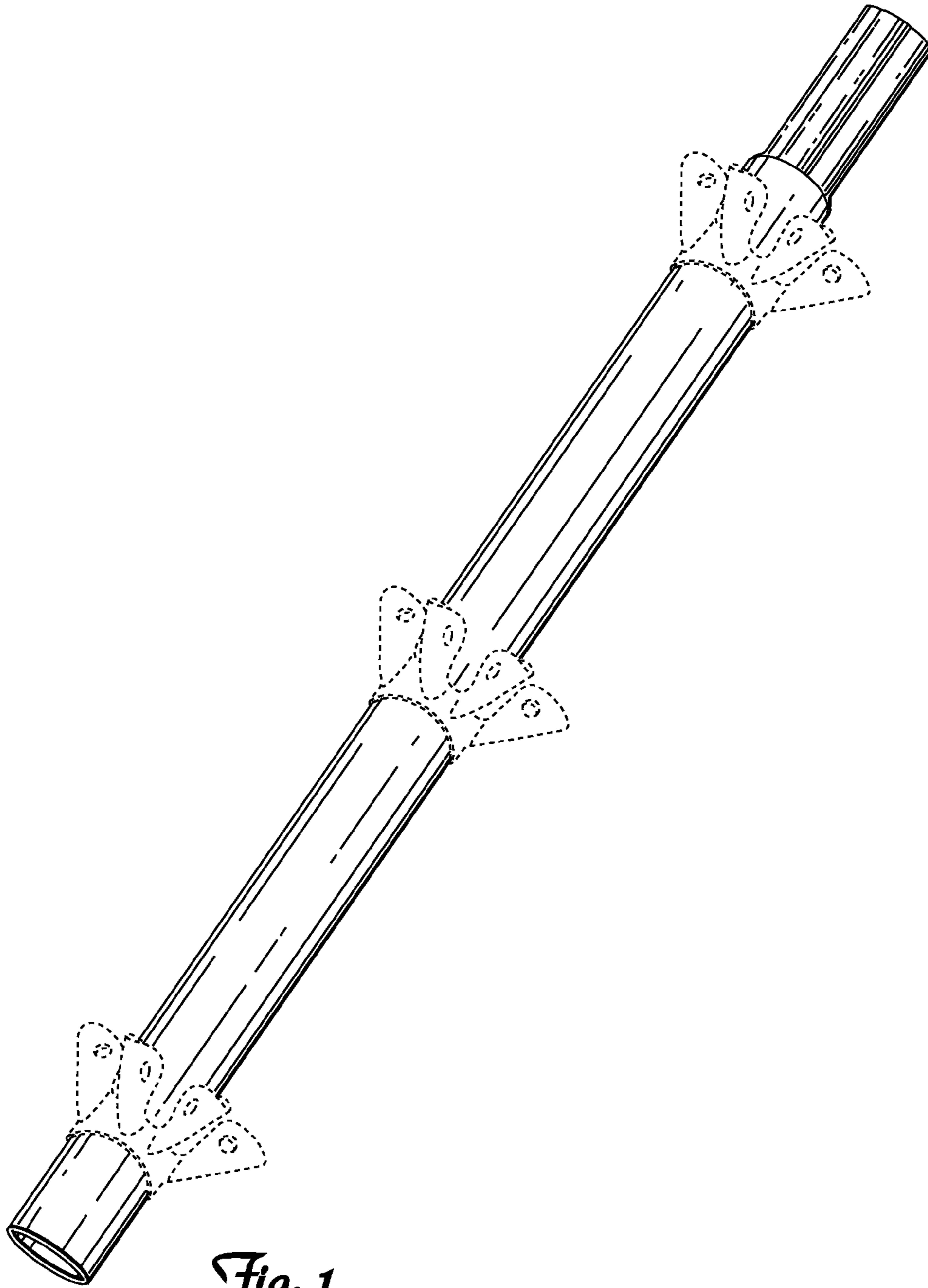
# US D686,523 S

Page 2

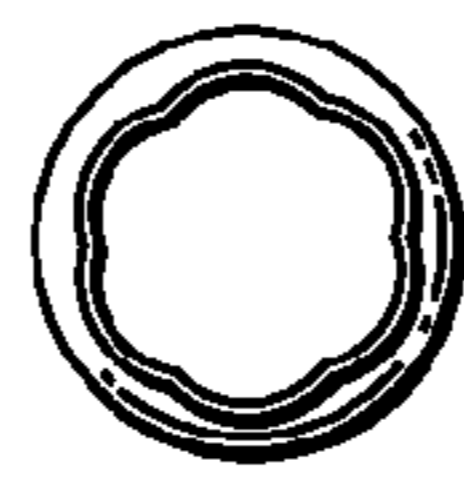
## U.S. PATENT DOCUMENTS

5,527,010	A	6/1996	Kao		7,052,156	B2	5/2006	Primeau	
5,536,047	A	7/1996	Detable et al.		7,055,980	B2	6/2006	Wu	
5,550,720	A	8/1996	Carroll		7,132,139	B2	11/2006	Yang	
D375,159	S *	10/1996	Johansson .....	D24/112	7,404,686	B2	7/2008	Volum	
5,776,559	A	7/1998	Woolford		D574,932	S *	8/2008	Zhuang .....	D23/266
5,778,938	A *	7/1998	Chick et al. ....	138/98	7,588,042	B2	9/2009	Chang	
5,855,705	A	1/1999	Gauthier		D608,685	S	1/2010	Krize	
5,909,903	A	6/1999	Takahashi et al.		D609,602	S	2/2010	Krize	
6,030,670	A	2/2000	Chang		D615,166	S *	5/2010	Patti .....	D23/266
D423,312	S *	4/2000	Hames .....	D8/38	D628,512	S *	12/2010	Marsh et al. ....	D11/130.1
D427,541	S *	7/2000	Glover .....	D11/130	7,878,222	B2 *	2/2011	Weisel .....	138/121
6,099,920	A	8/2000	Kao		8,053,042	B1 *	11/2011	Loomis .....	428/20
D445,322	S *	7/2001	Hames .....	D8/38	8,066,033	B2 *	11/2011	Quigley et al. ....	138/125
6,330,887	B1	12/2001	Chen		8,132,649	B2 *	3/2012	Rogers .....	182/178.6
D454,386	S *	3/2002	Speicher .....	D23/266	8,187,687	B2 *	5/2012	Wideman et al. ....	428/36.3
6,418,949	B1	7/2002	Lin et al.		8,298,633	B1 *	10/2012	Chen .....	428/20
6,439,478	B1	8/2002	King et al.		2006/0068129	A1	3/2006	Yang	
6,457,839	B1	10/2002	Grandoit		2007/0056615	A1	3/2007	Lai	
6,460,900	B1	10/2002	Bakke		2007/0230174	A1	10/2007	Hicks et al.	
6,520,192	B1	2/2003	Lo		2008/0107840	A1	5/2008	Leung et al.	
6,592,094	B1	7/2003	Kao		2008/0149153	A1	6/2008	Chang	
6,672,750	B1	1/2004	Kao		2009/0090460	A1 *	4/2009	Wideman et al. ....	156/244.11
6,733,167	B1	5/2004	Kao		2010/0072747	A1	3/2010	Krize	
6,761,274	B1	7/2004	Chen		2012/0009360	A1 *	1/2012	Fu et al. ....	428/8
D497,569	S *	10/2004	Elder .....	D11/130.1					

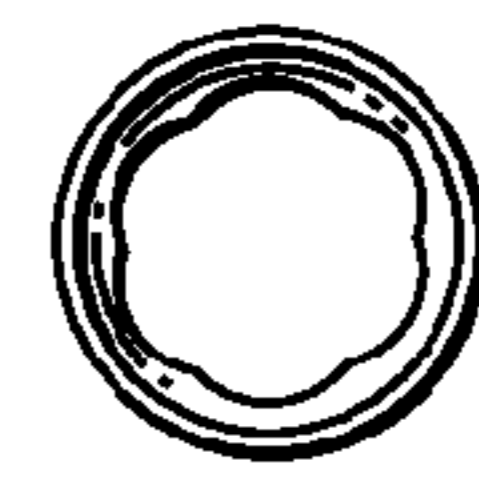
\* cited by examiner



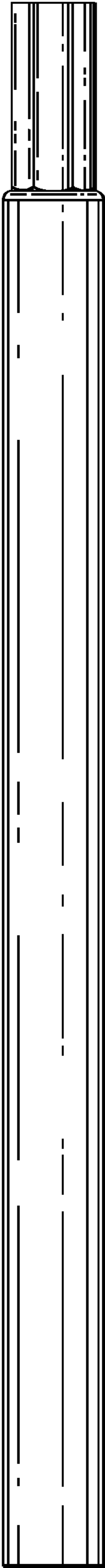
*Fig. 1*



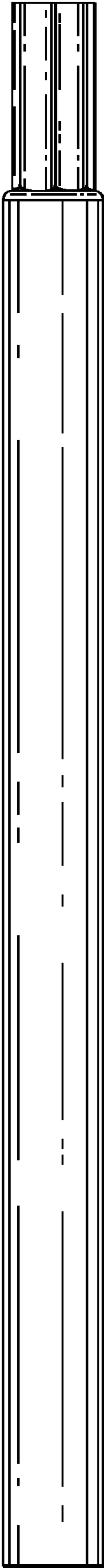
*Fig. 2*



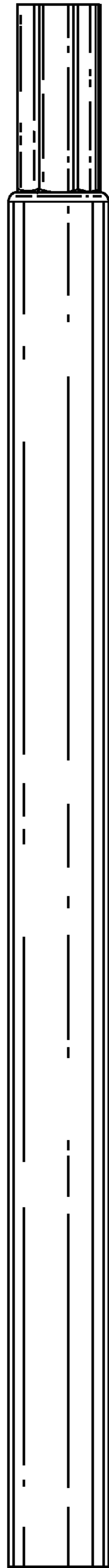
*Fig. 3*



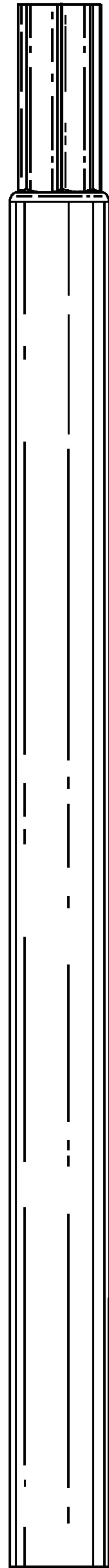
*Fig. 4*



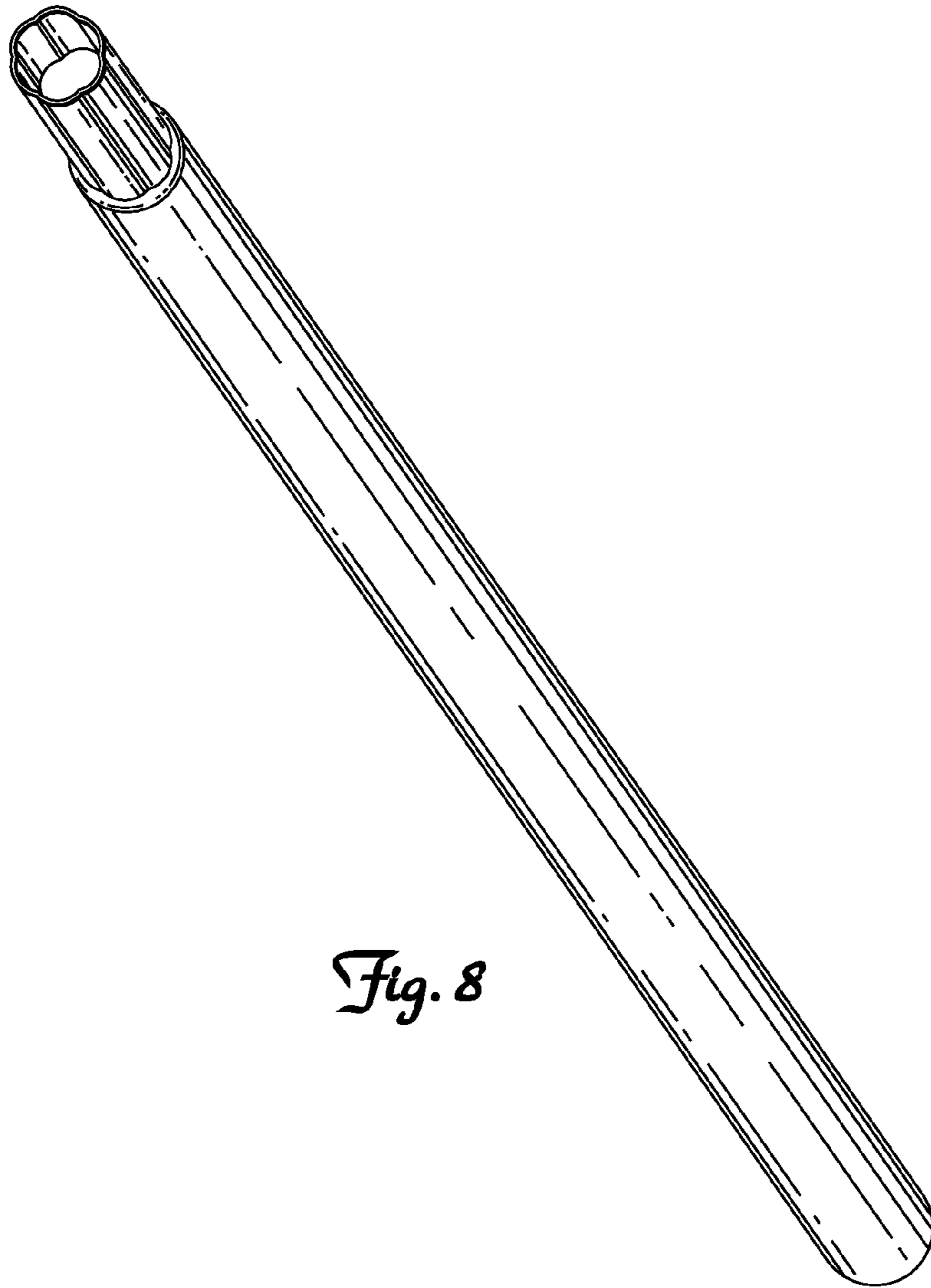
*Fig. 5*



*Fig. 6*



*Fig. 7*



*Fig. 8*