



US00D686522S

(12) **United States Design Patent**
McClelland

(10) **Patent No.:** **US D686,522 S**
(45) **Date of Patent:** **** Jul. 23, 2013**

(54) **JEWELRY RING**

(76) Inventor: **Thomas W. McClelland**, Alford, MA
(US)

(**) Term: **14 Years**

(21) Appl. No.: **29/415,116**

(22) Filed: **Mar. 7, 2012**

(51) **LOC (9) Cl.** **11-01**

(52) **U.S. Cl.**
USPC **D11/33**

(58) **Field of Classification Search**
USPC D11/26-39; 63/15, 15.1-15.4, 15.45,
63/15.5, 15.6, 15.65, 15.7
See application file for complete search history.

(56) **References Cited**

U.S. PATENT DOCUMENTS

D76,691	S	*	10/1928	Lee	D11/35
2,119,039	A	*	5/1938	Boyd	63/15
D158,927	S	*	6/1950	Breier	D11/30
D162,748	S	*	4/1951	Philippe	D11/4
D248,286	S	*	6/1978	Barr	D11/34
D248,741	S	*	8/1978	Barr	D11/33
D416,813	S	*	11/1999	Wright et al.	D10/31
D419,102	S	*	1/2000	Mestrum	D11/26
D494,883	S	*	8/2004	Pachachi	D11/33
D534,454	S	*	1/2007	Karachi-Langane	D11/34
D538,194	S	*	3/2007	Hardy	D11/30

OTHER PUBLICATIONS

[Online] http://cdn.makeuptalk.com/a/a3/a3a83a14_seffef.jpeg.
Accessed Apr. 5, 2013.*

[Online] <http://i00.i.aliimg.com/wsphoto/v0/691169888/ZOCAI-PEERLESS-BEAUTY-0-51-CT-CERTIFIED-H-SI-DIAMOND-ENGAGEMENTF-FLOWER-RING-ROUND-CUT-18K.jpg>.
Accessed Apr. 5, 2013.*

* cited by examiner

Primary Examiner — Jennifer Rivard

Assistant Examiner — Melanie Pellegrini

(74) *Attorney, Agent, or Firm* — North Shore Patents, P.C.;
Michele Liu Baillie

(57) **CLAIM**

The ornamental design for a jewelry ring, as shown.

DESCRIPTION

FIG. 1 is a first isometric view of the embodiment of a jewelry ring showing my new design.

FIG. 2 is a front view of the embodiment of the jewelry ring.

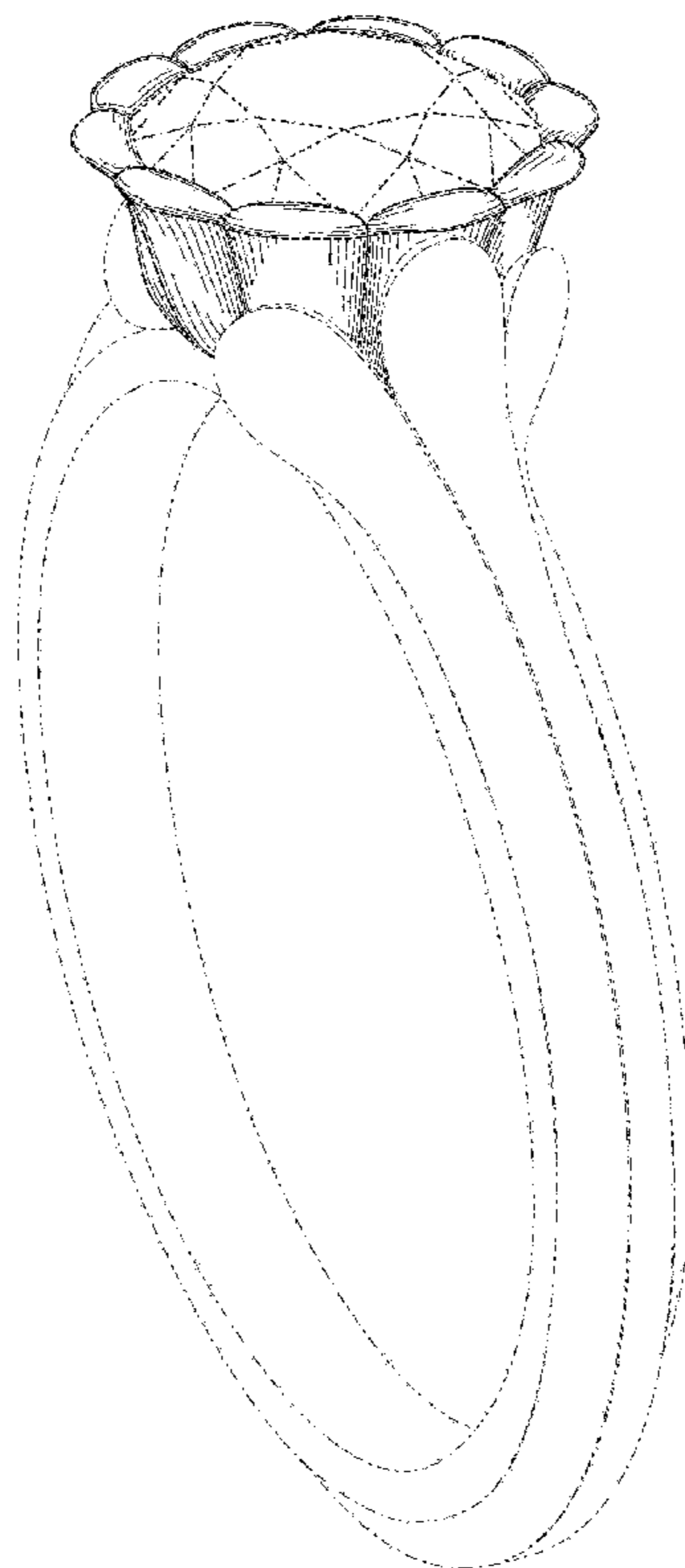
FIG. 3 is a side view of the embodiment of the jewelry ring.

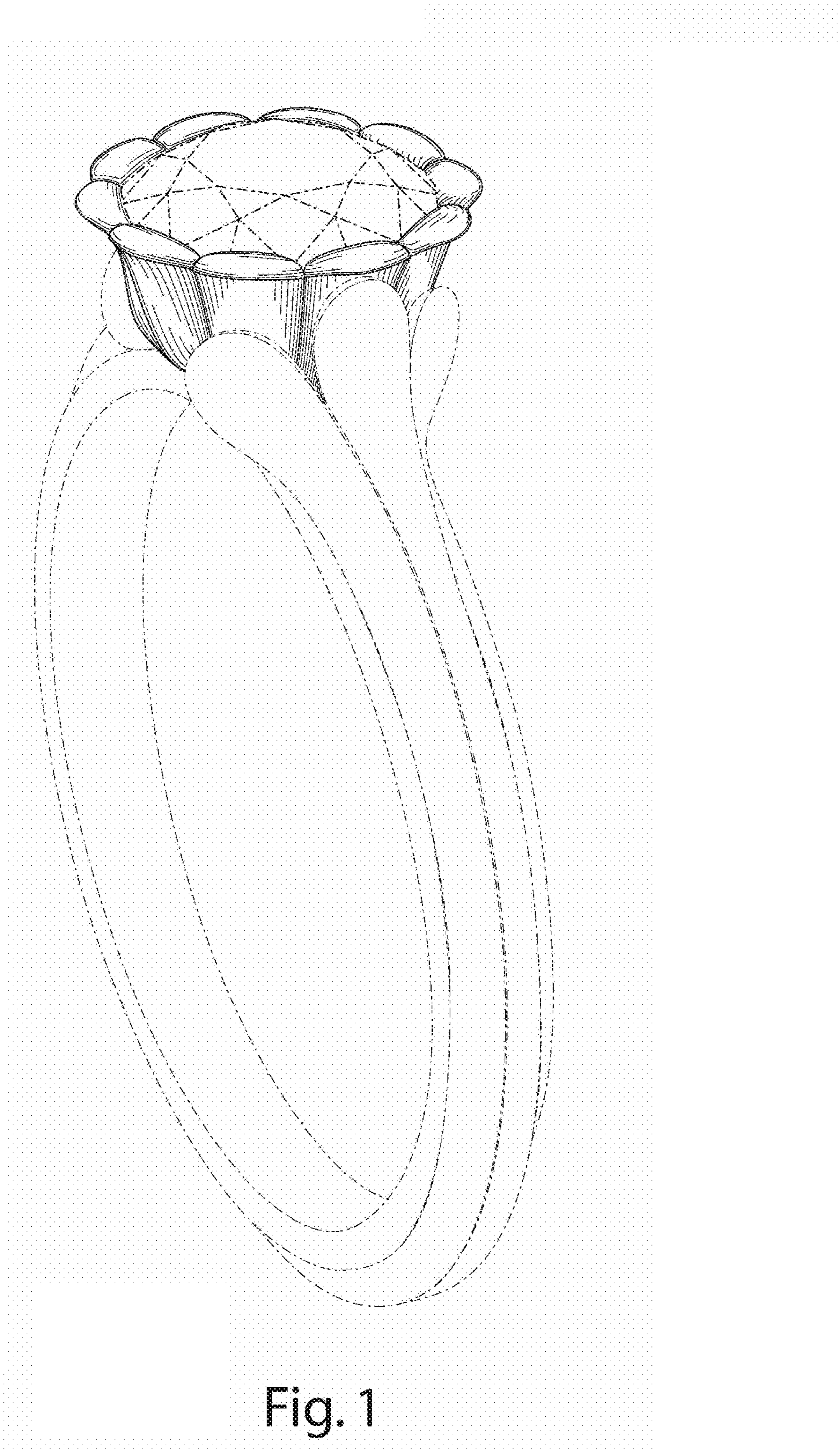
FIG. 4 is a top view of the embodiment of the jewelry ring;
and,

FIG. 5 is a second isometric view of the embodiment of the jewelry ring.

The broken lines shown in the drawings illustrate portions of the jewelry ring and form no part of the claimed design.

1 Claim, 5 Drawing Sheets





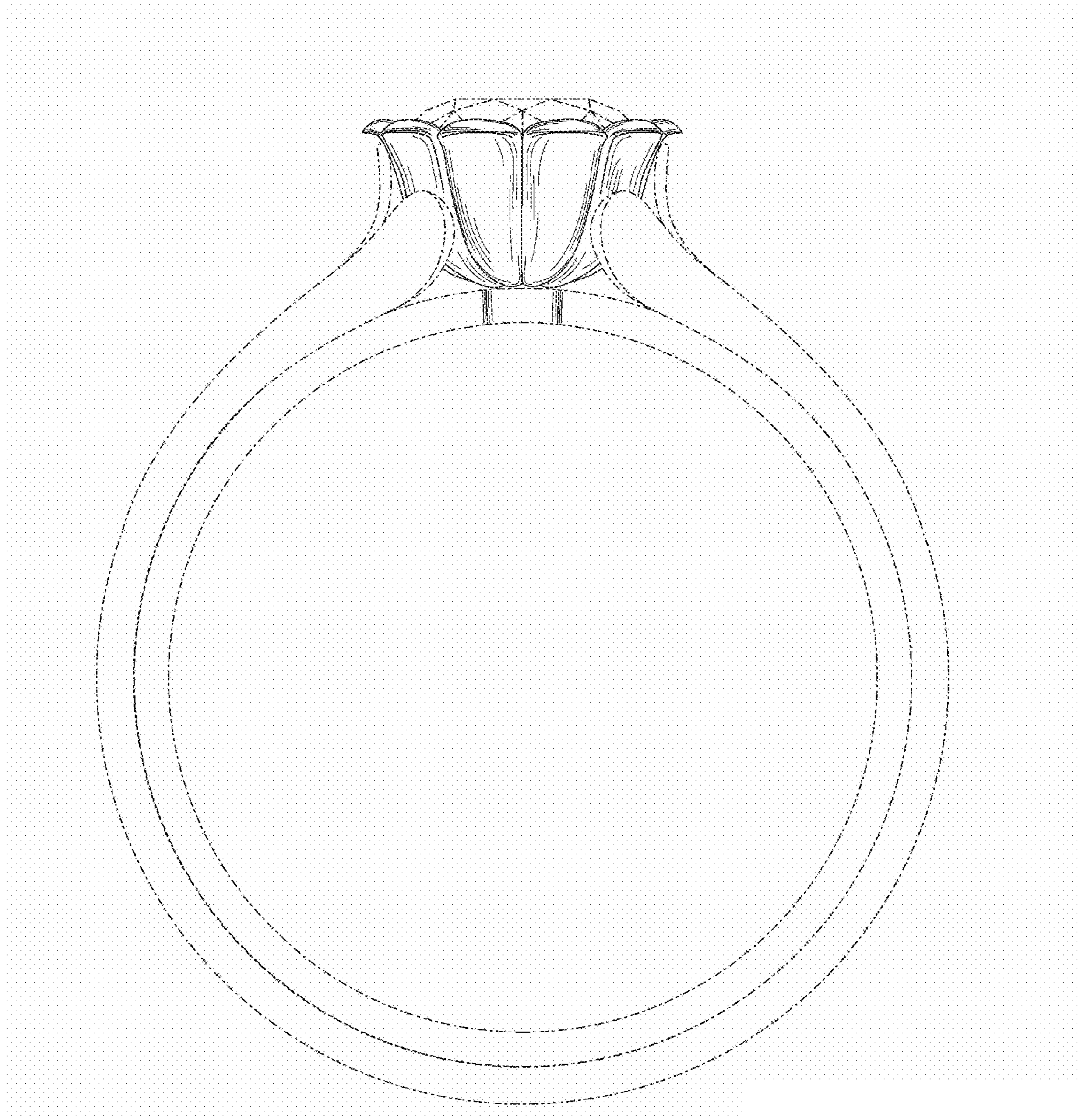
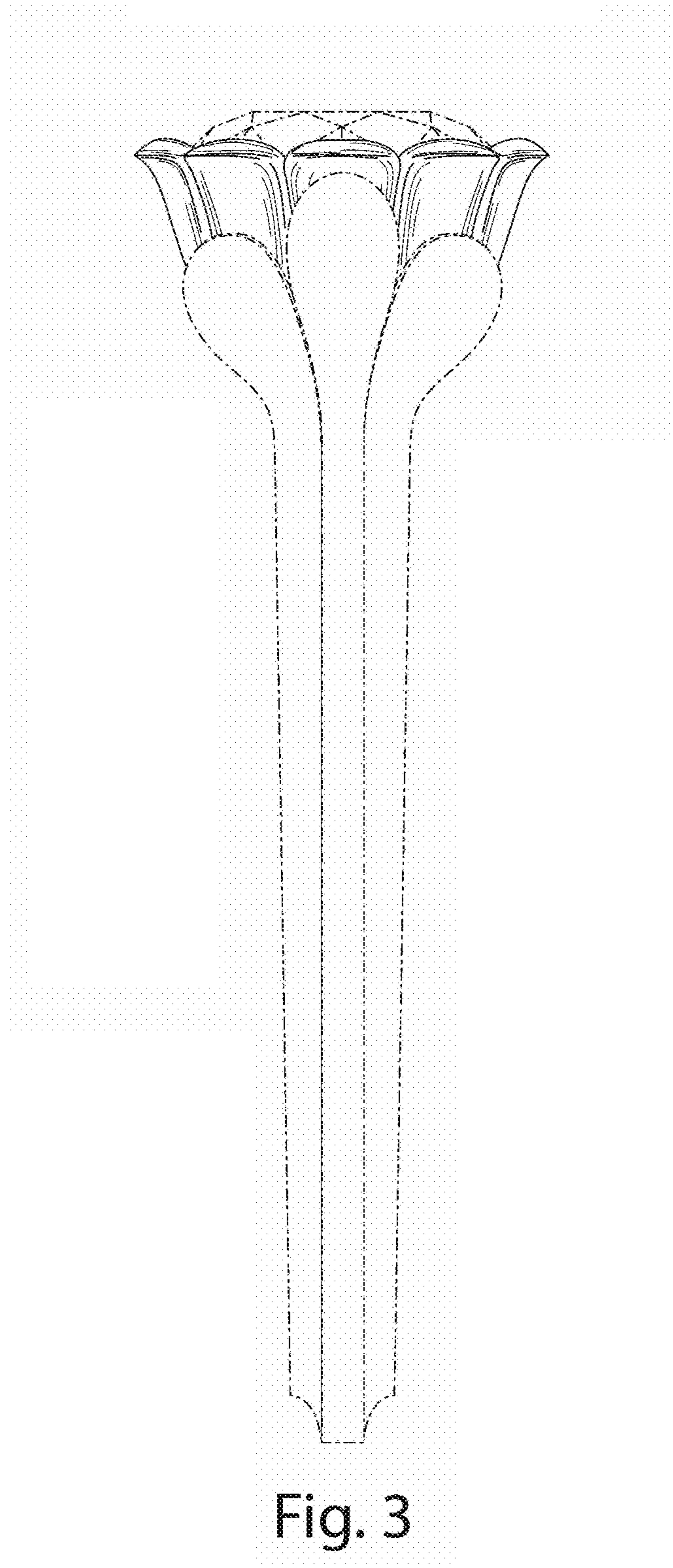


Fig. 2



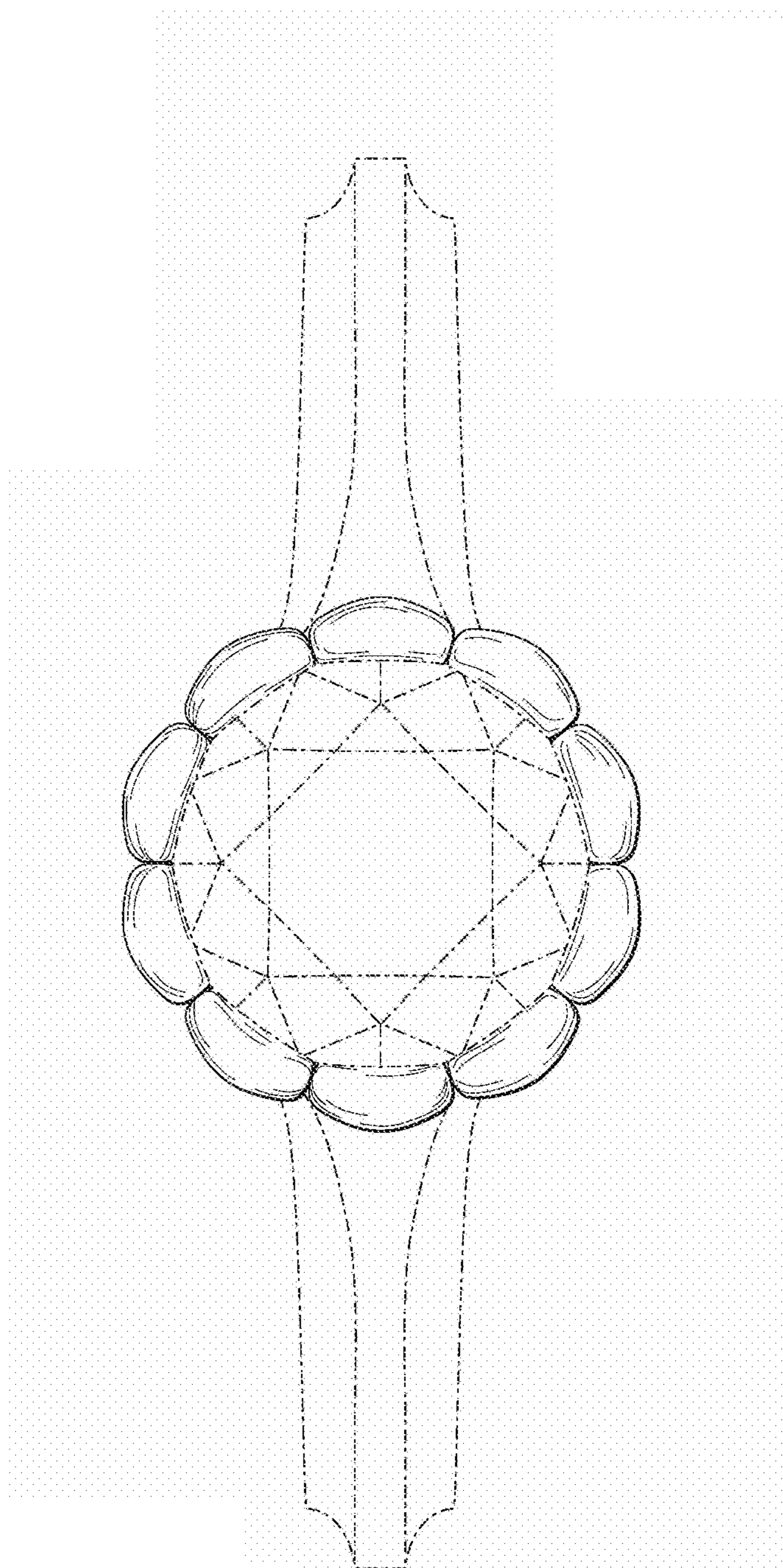


Fig. 4

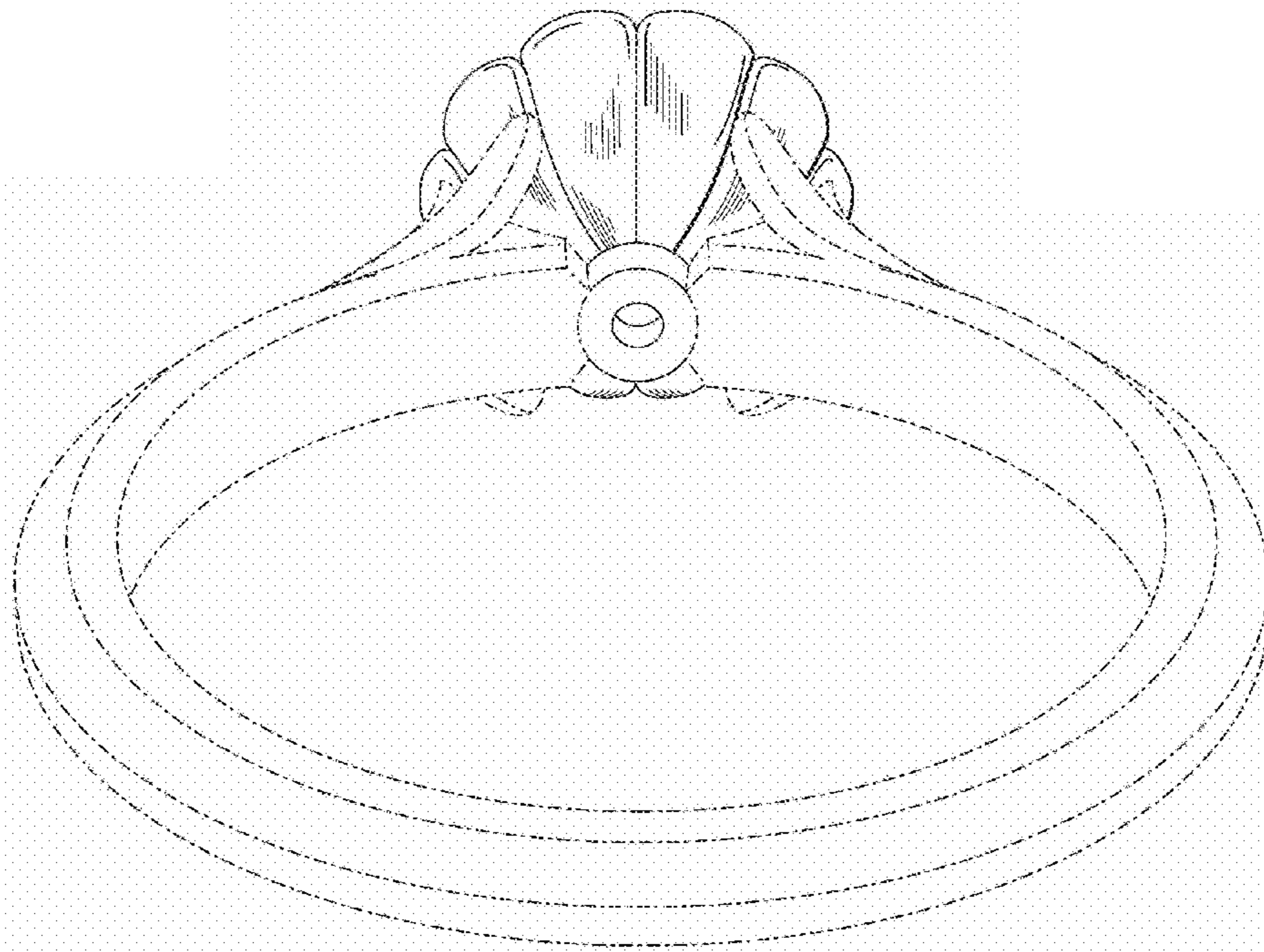


Fig. 5