



US00D686517S

(12) **United States Design Patent**
Chen

(10) **Patent No.:** **US D686,517 S**

(45) **Date of Patent:** **** Jul. 23, 2013**

(54) **TIRE PRESSURE GAUGE**

(76) Inventor: **Kuo-Liang Chen**, Changhua (TW)

(**) Term: **14 Years**

(21) Appl. No.: **29/430,923**

(22) Filed: **Aug. 31, 2012**

(51) **LOC (9) Cl.** **10-04**

(52) **U.S. Cl.**
USPC **D10/86**

(58) **Field of Classification Search**
USPC D10/86; 73/732, 744, 742, 717, 741,
73/146.3, 146.8

See application file for complete search history.

(56) **References Cited**

U.S. PATENT DOCUMENTS

D459,257	S *	6/2002	Petrucelli	D10/86
D459,668	S *	7/2002	Petrucelli	D10/86
6,826,508	B2 *	11/2004	Fujioka	702/138
D514,965	S *	2/2006	Huang	D10/86
D603,733	S *	11/2009	Stowers et al.	D10/86
D631,768	S *	2/2011	Petrucelli et al.	D10/86
8,015,864	B2 *	9/2011	Petrucelli	73/146.8
2010/0307232	A1 *	12/2010	Petrucelli	73/146.8
2012/0000545	A1 *	1/2012	Petrucelli	137/14

* cited by examiner

Primary Examiner — Antoine D Davis

(74) *Attorney, Agent, or Firm* — C. G. Mersereau; Nikolai & Mersereau, P.A.

(57) **CLAIM**

The ornamental design for a tire pressure gauge, as shown and described.

DESCRIPTION

FIG. 1 is a perspective view of a tire pressure gauge, showing my new design, wherein the broken lines are shown for illustrative purposes only and form no part of the claimed design; FIG. 2 is a front view thereof, wherein the broken lines are shown for illustrative purposes only and form no part of the claimed design;

FIG. 3 is a rear view thereof;

FIG. 4 is a left side view thereof, wherein the broken lines are shown for illustrative purposes only and form no part of the claimed design;

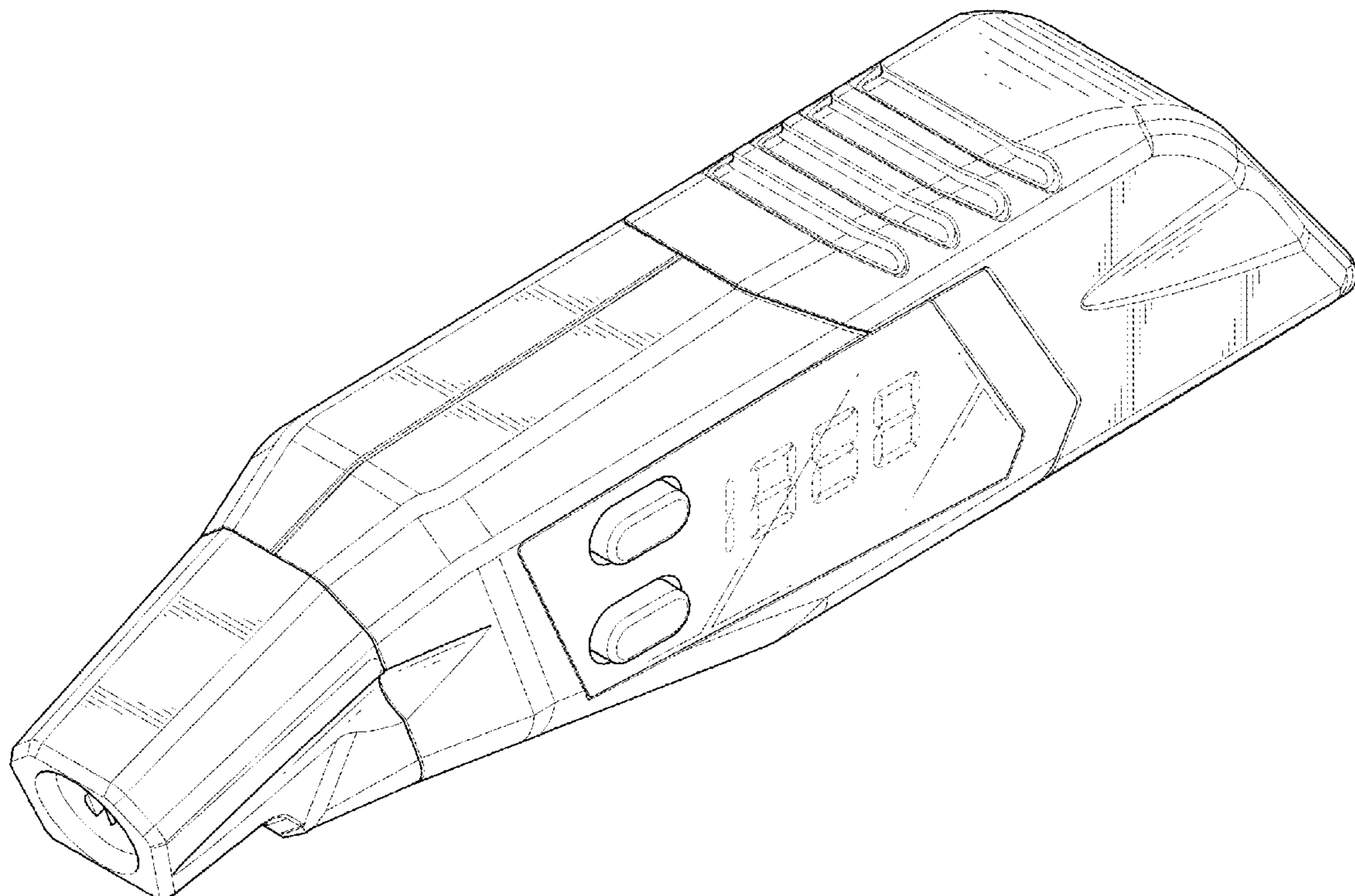
FIG. 5 is a right side view thereof;

FIG. 6 is a top view thereof;

FIG. 7 is a bottom view thereof, wherein the broken lines are shown for illustrative purposes only and form no part of the claimed design; and,

FIG. 8 is another perspective view thereof, wherein the broken lines are shown for illustrative purposes only and form no part of the claimed design.

1 Claim, 7 Drawing Sheets



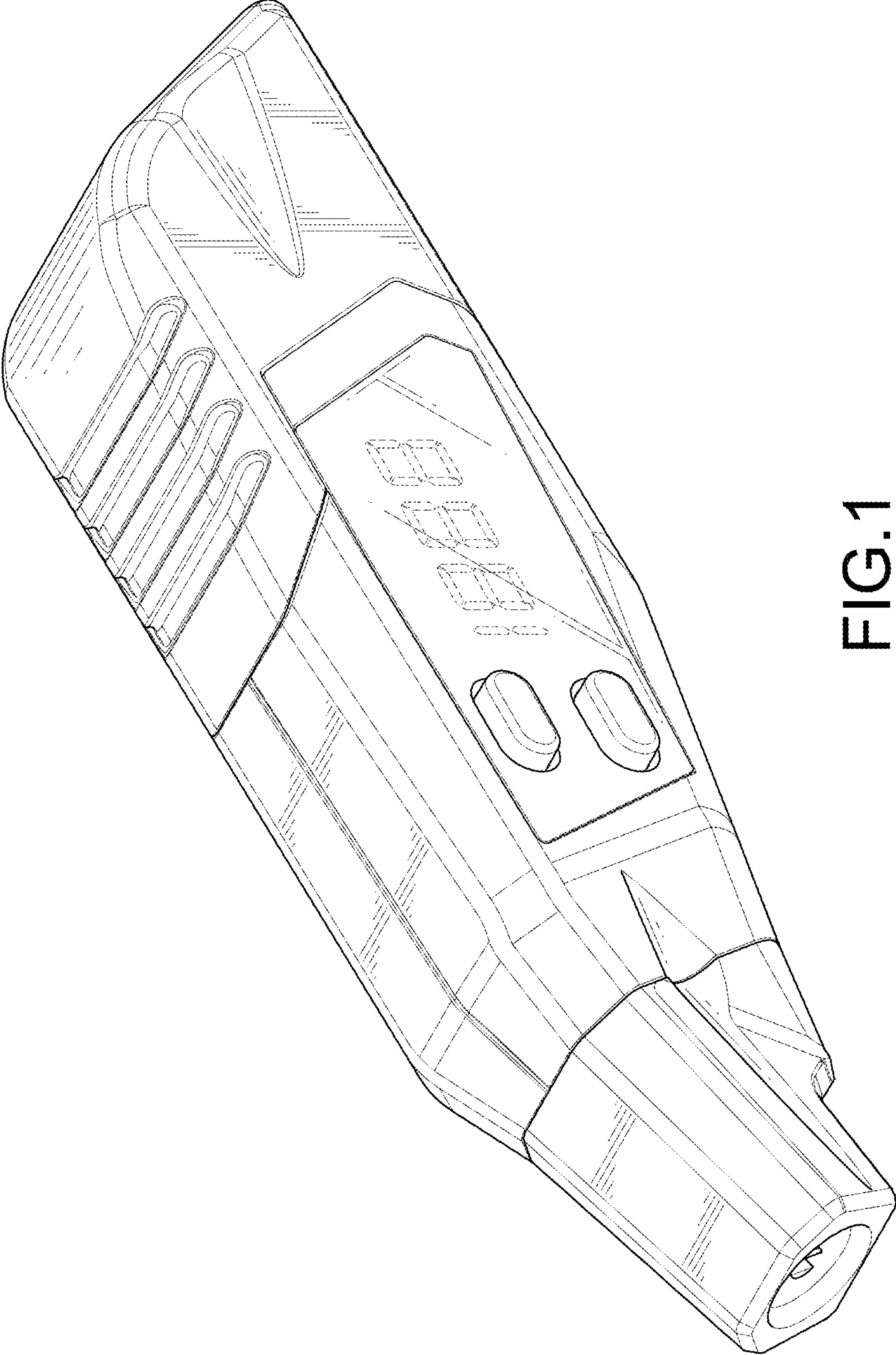


FIG.1

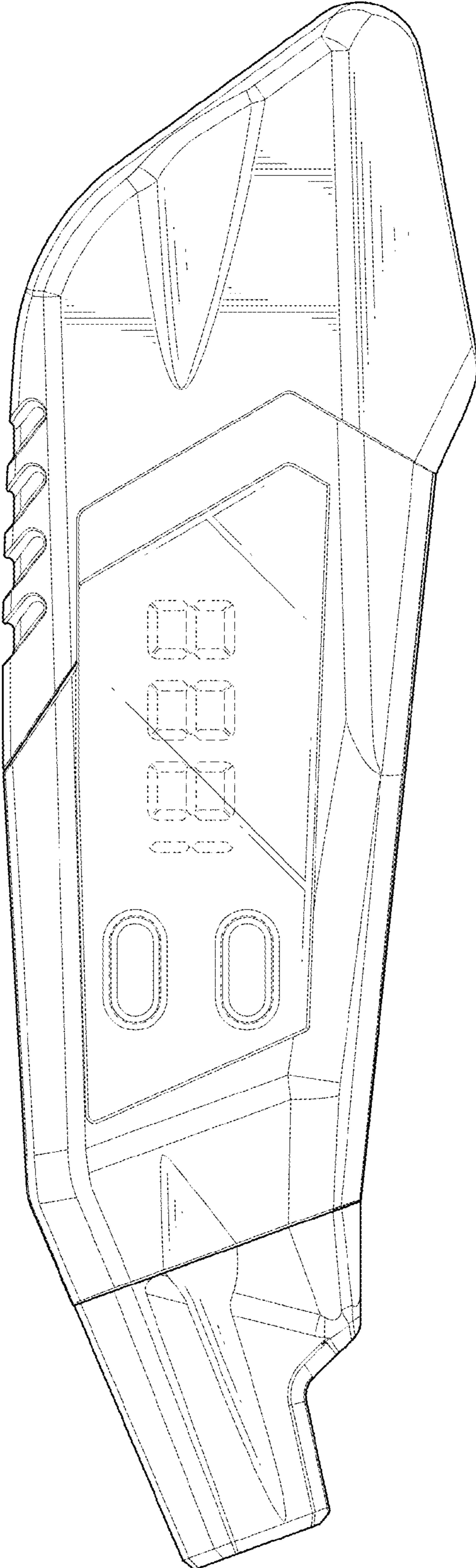


FIG.2

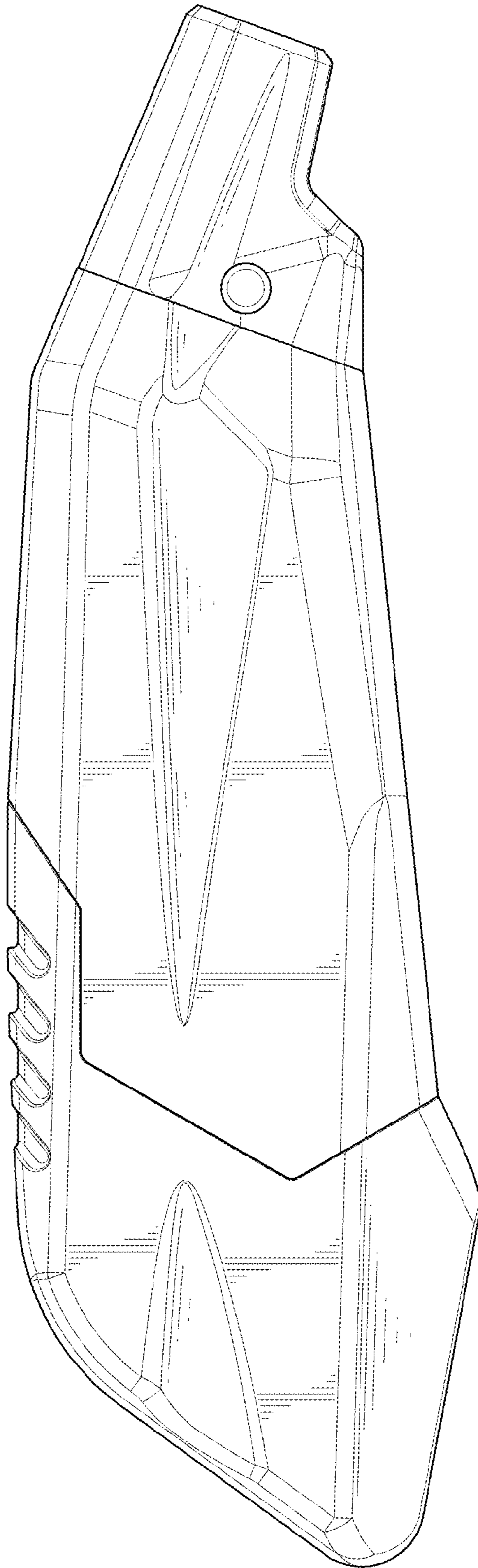


FIG.3

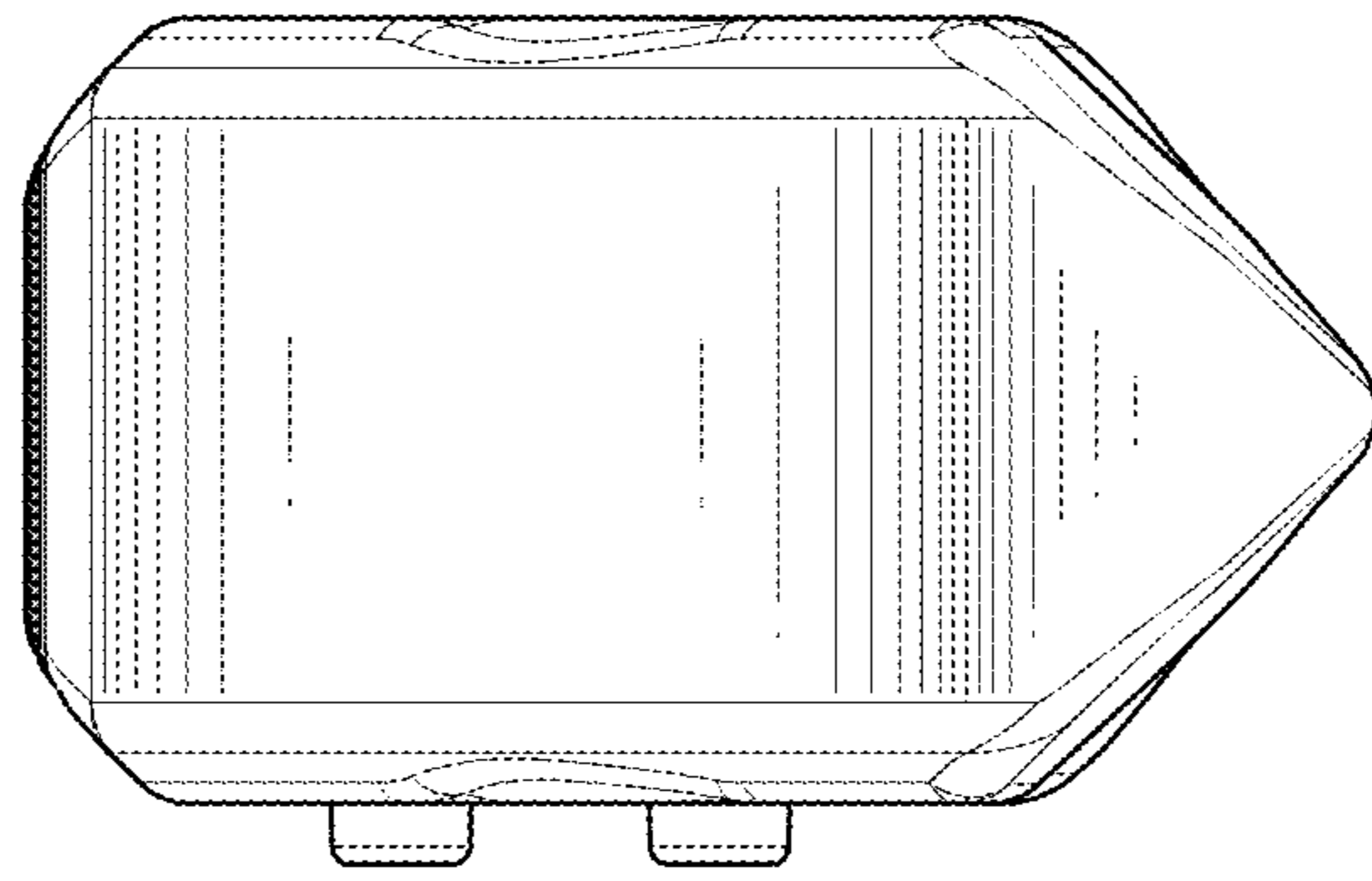


FIG. 5

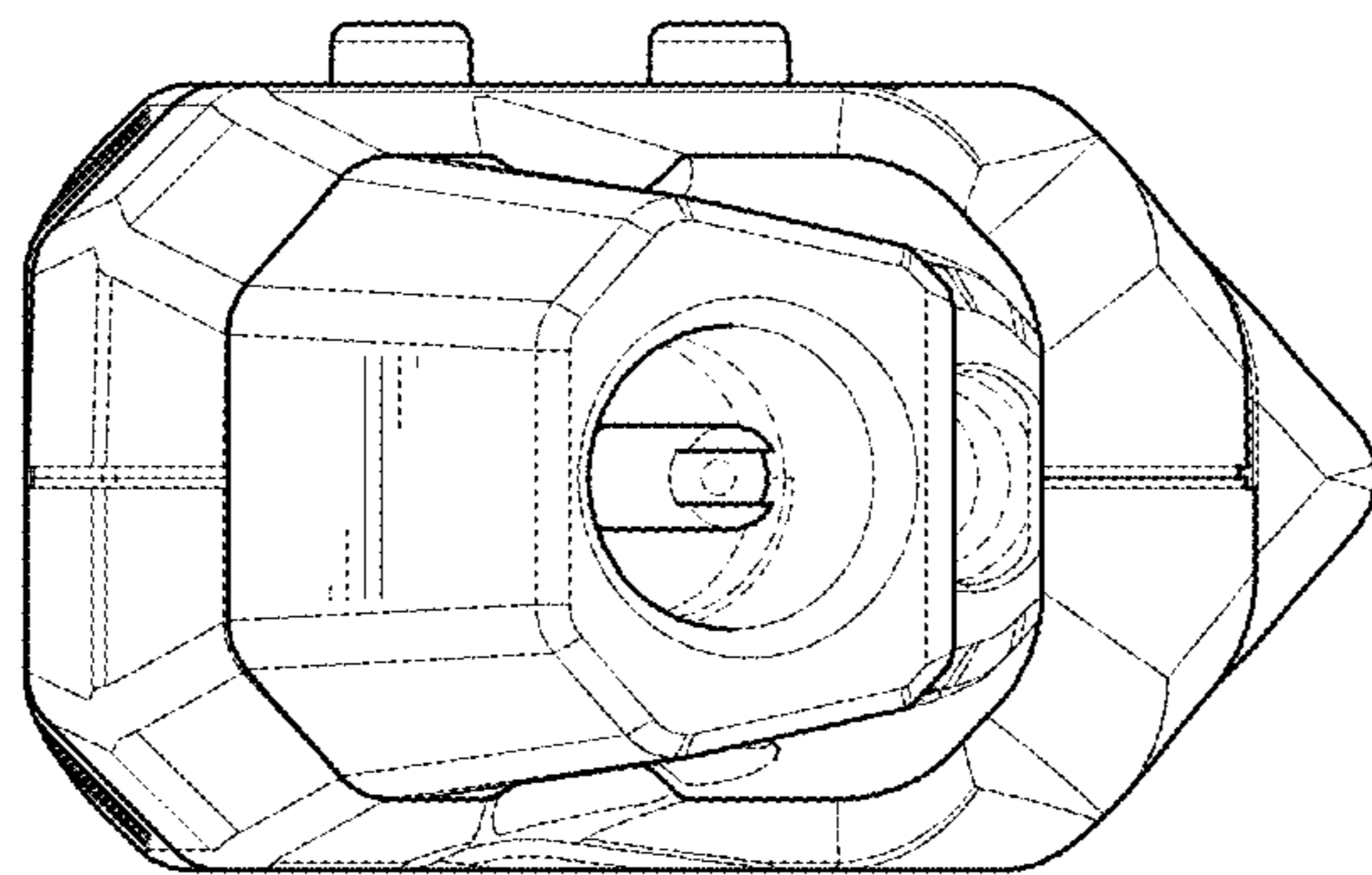


FIG. 4

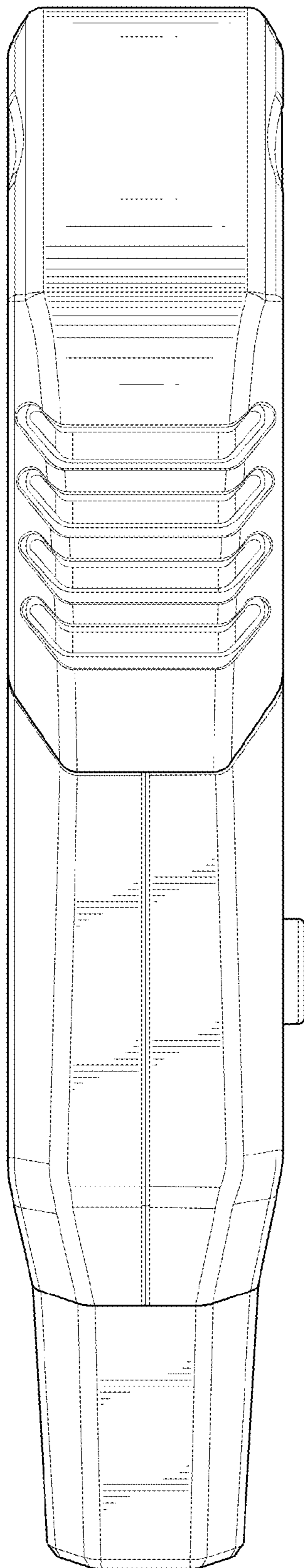


FIG.6

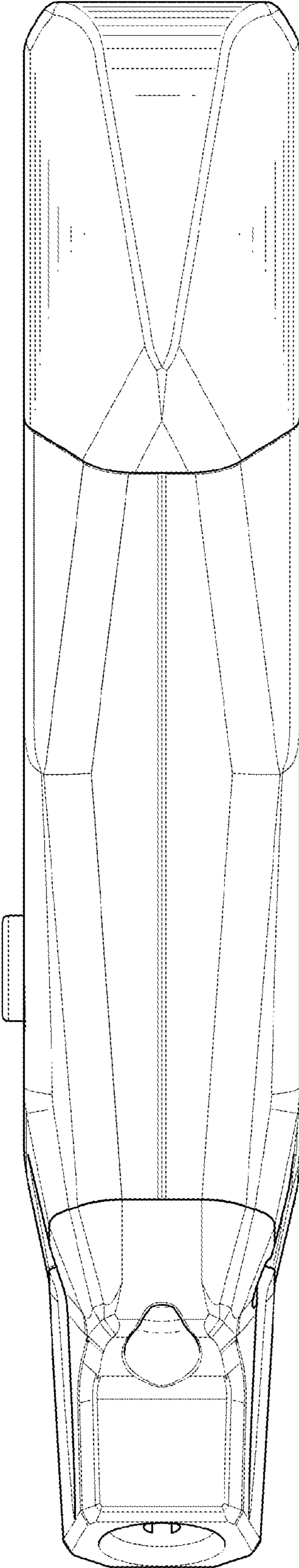


FIG.7

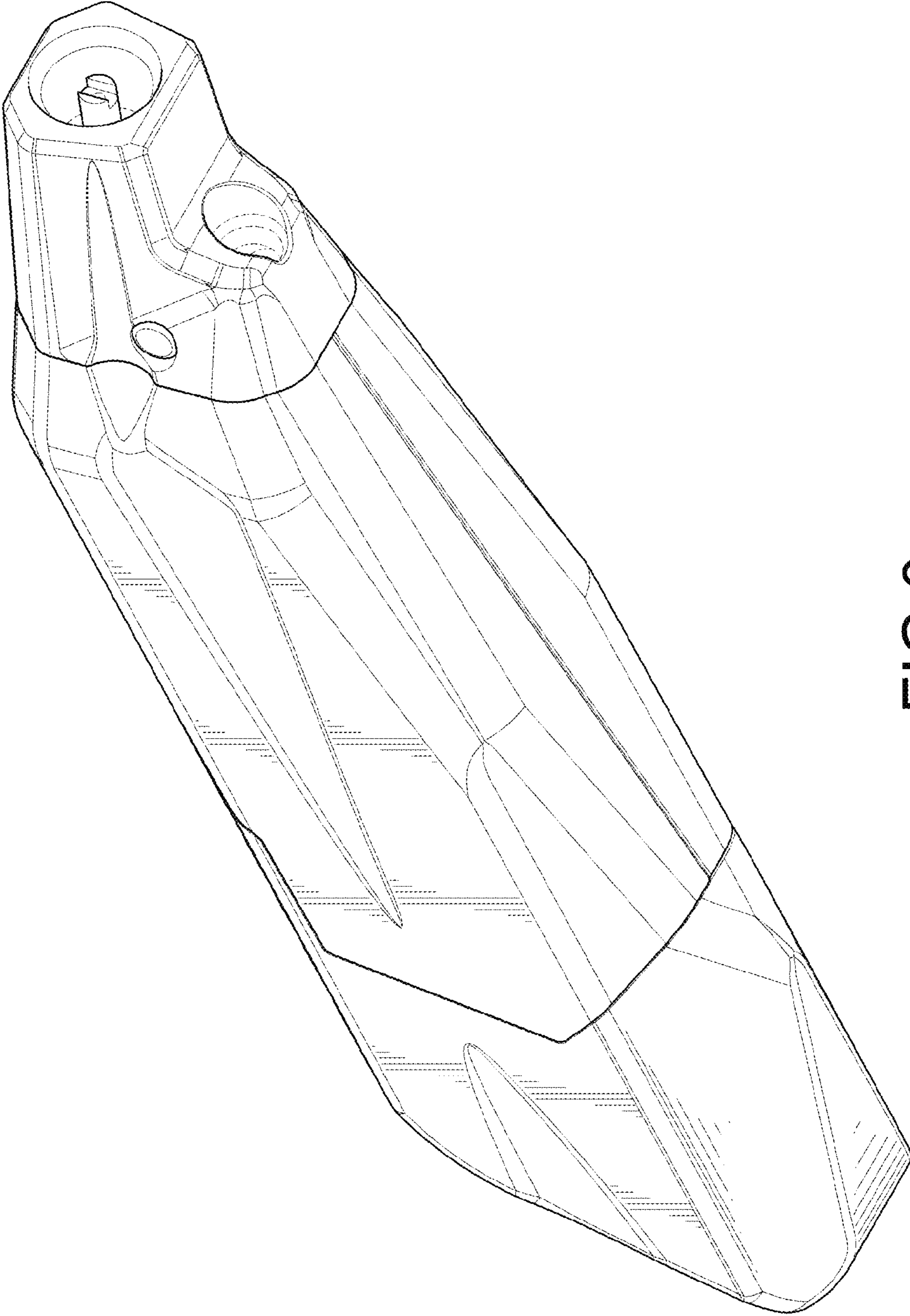


FIG. 8