



US00D686515S

(12) **United States Design Patent**
Robinson et al.

(10) **Patent No.:** **US D686,515 S**
(45) **Date of Patent:** **** Jul. 23, 2013**

(54) **TAPE MEASURE**

8,215,027 B2 * 7/2012 Kang 33/761
D667,743 S * 9/2012 Huang D10/72
8,381,411 B2 * 2/2013 DeLaRosa et al. 33/770

(75) Inventors: **Glenn Robinson**, Parkland, FL (US);
Joseph Deguglimo, Boca Raton, FL
(US)

* cited by examiner

(73) Assignee: **IBT Holdings, LLC**, Deerfield Beach,
FL (US)

Primary Examiner — Antoine D Davis

(74) *Attorney, Agent, or Firm* — Dan M. DeLaRosa

(**) Term: **14 Years**

(57) **CLAIM**

(21) Appl. No.: **29/421,309**

The ornamental design for a tape measure, as shown and described.

(22) Filed: **Jul. 2, 2012**

(51) **LOC (9) Cl.** **10-04**

DESCRIPTION

(52) **U.S. Cl.**
USPC **D10/72**

(58) **Field of Classification Search**

USPC D10/72, 74; 33/755–771; 242/285,
242/291, 379, 379.1, 379.2, 381, 381.1–381.6,
242/405

FIG. 1 is a front perspective view of the tape measure of the present invention showing my new design; FIG. 2 is a front side elevational view thereof; FIG. 3 is a back side elevational view thereof; FIG. 4 is a side elevational view thereof; FIG. 5 is another side elevational view thereof; FIG. 6 is a top plan view thereof; and, FIG. 7 is a bottom plan view thereof.

See application file for complete search history.

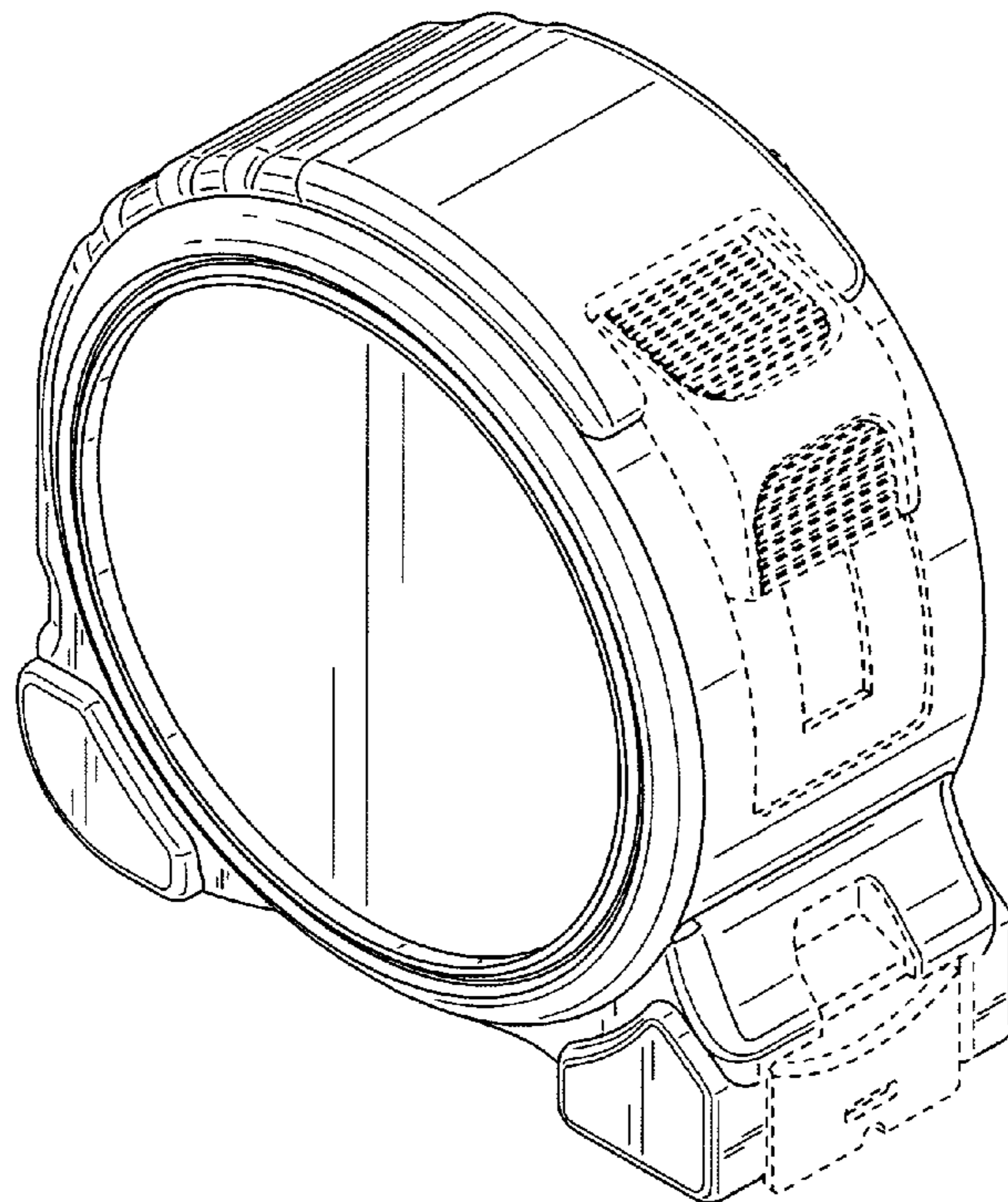
The broken line showing of structural features is included for the purpose of illustrating non-claimed subject matter and forms no part of the claimed design.

(56) **References Cited**

U.S. PATENT DOCUMENTS

7,377,050 B2 * 5/2008 Shute et al. 33/761
D578,910 S * 10/2008 Deguglimo et al. D10/72
D653,973 S * 2/2012 Robinson et al. D10/72

1 Claim, 5 Drawing Sheets



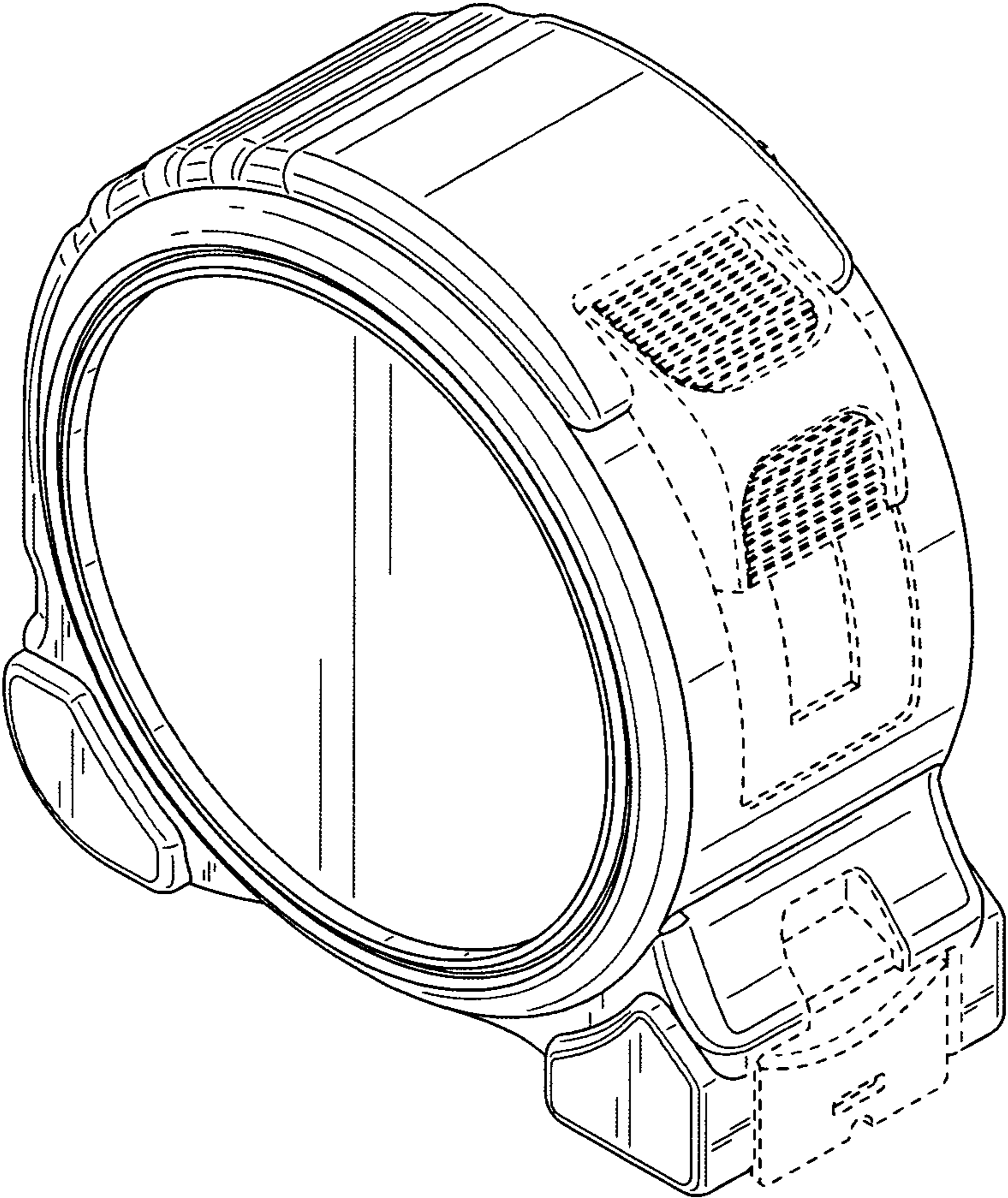


FIG. 1

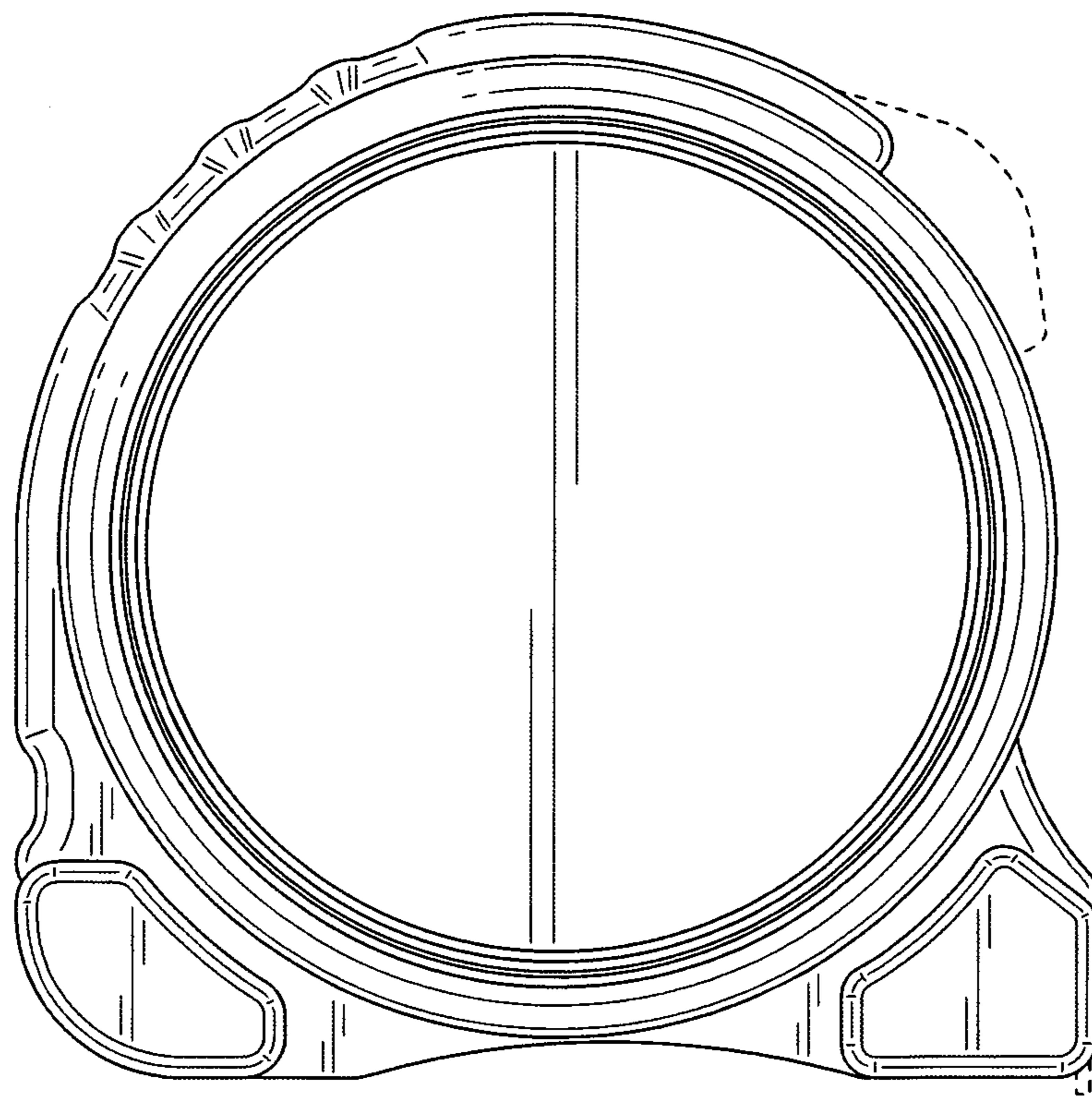


FIG. 2

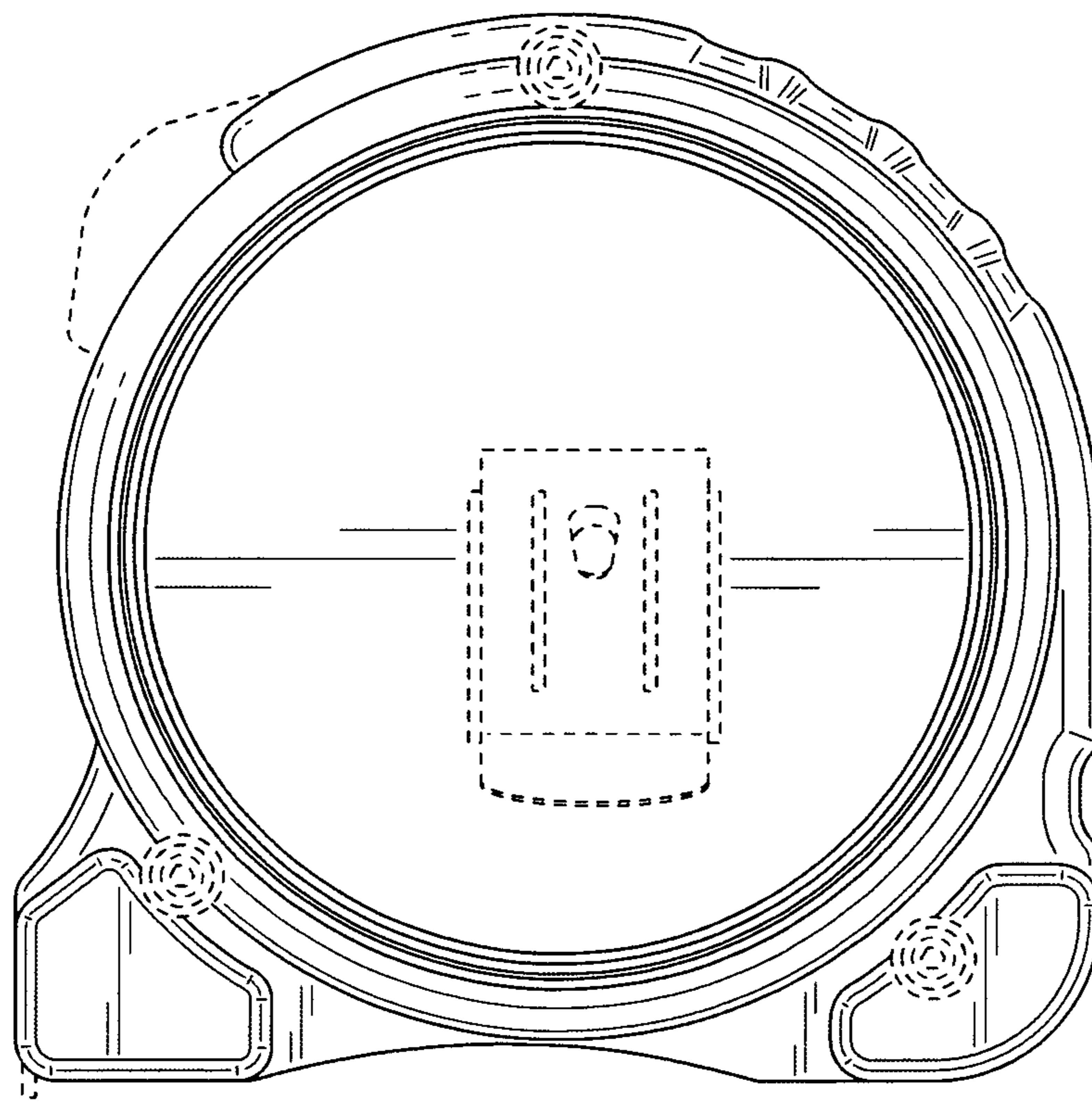


FIG. 3

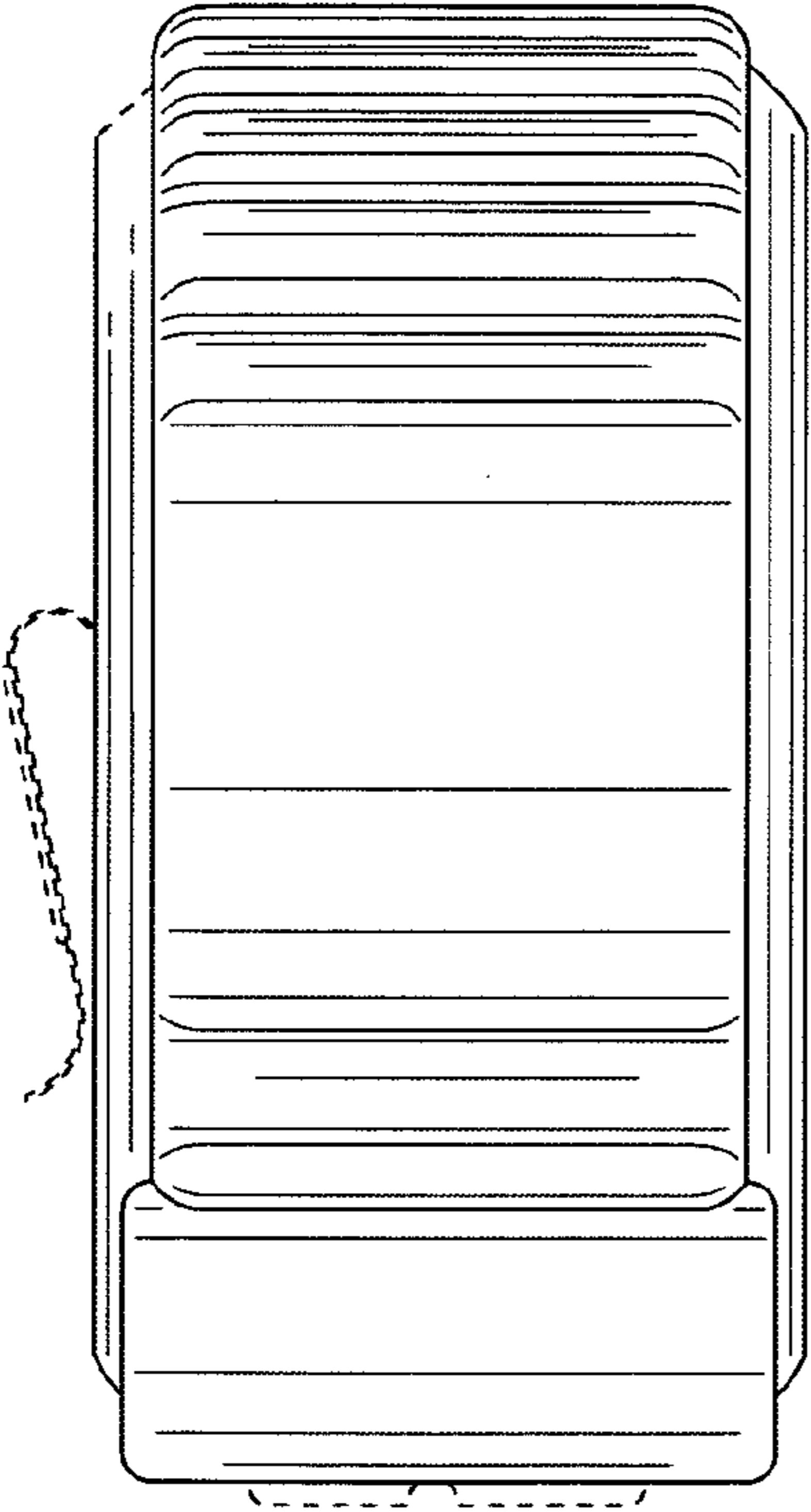


FIG. 4

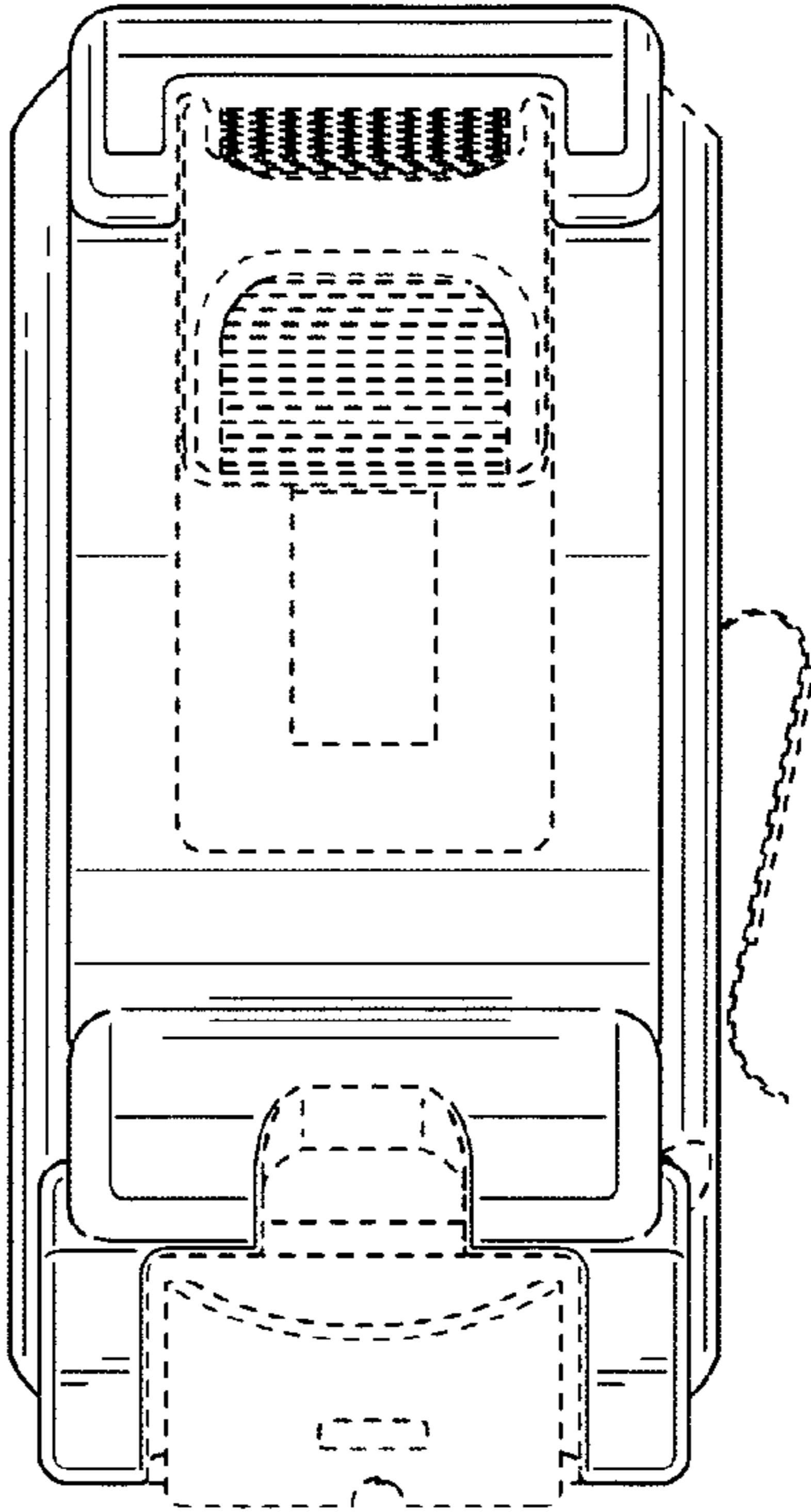


FIG. 5

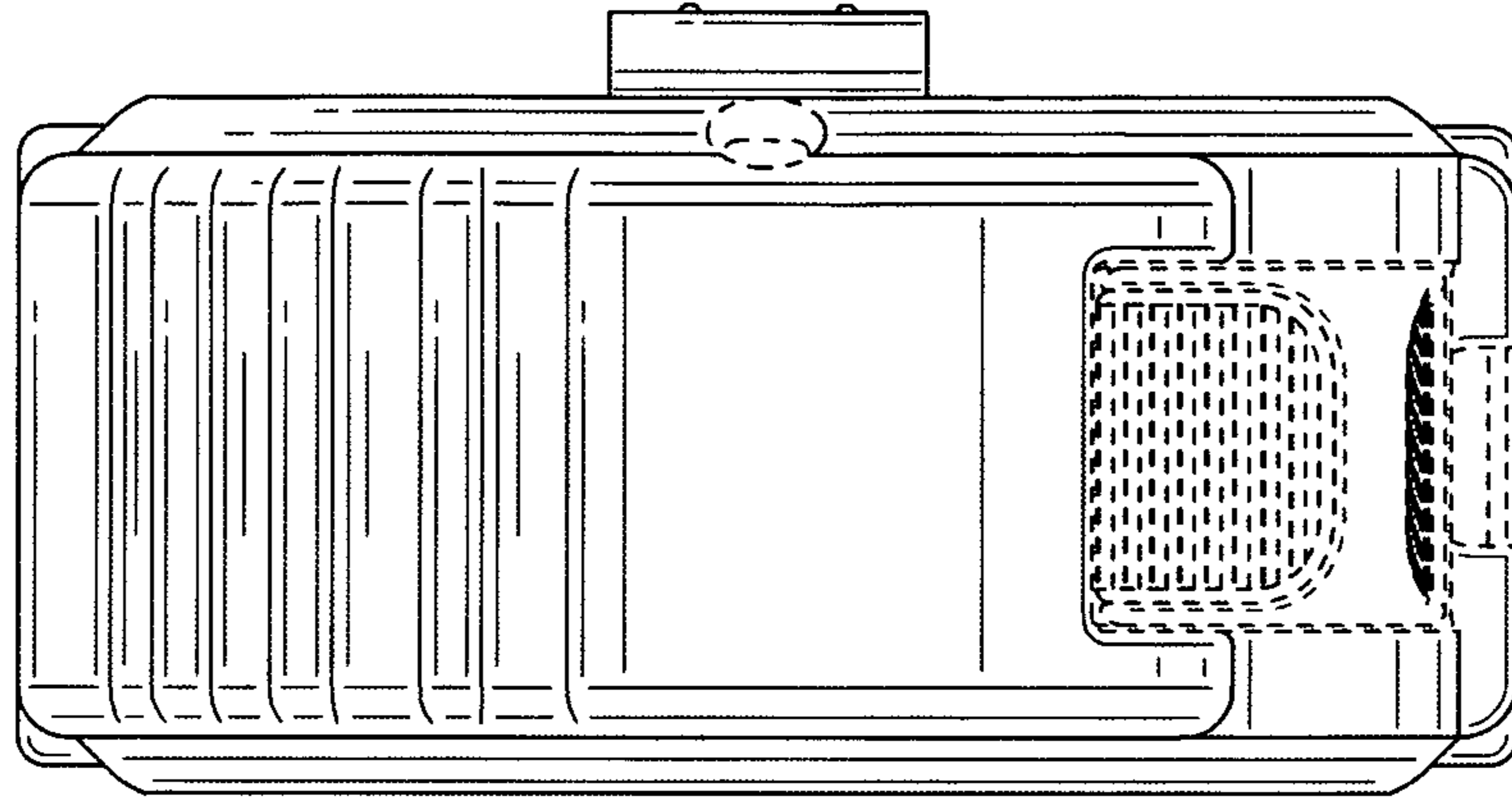


FIG. 6

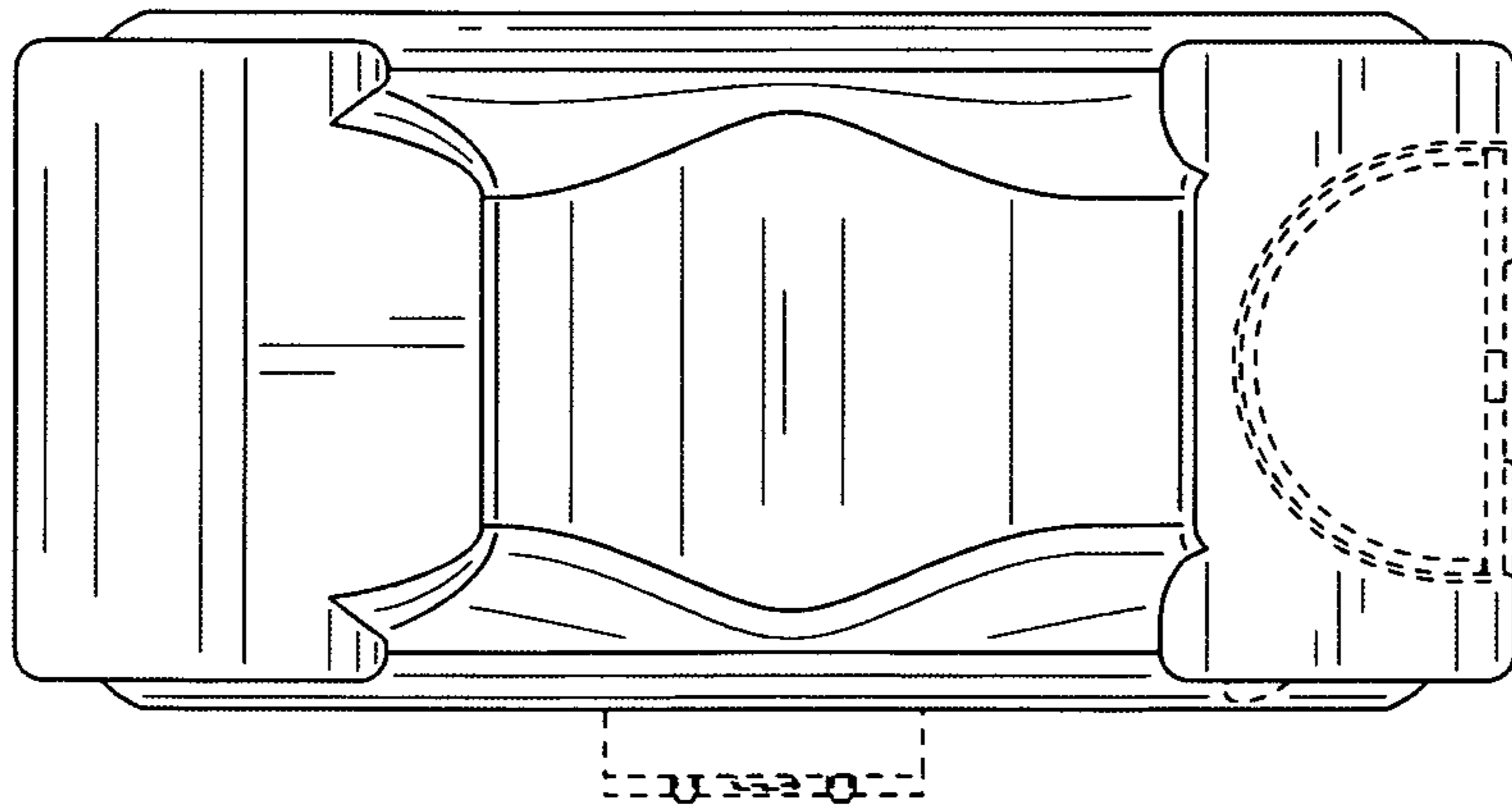


FIG. 7