



US00D686514S

(12) **United States Design Patent**
Robinson et al.

(10) **Patent No.:** **US D686,514 S**

(45) **Date of Patent:** **** Jul. 23, 2013**

(54) **TAPE MEASURE**

(75) Inventors: **Glenn Robinson**, Parkland, FL (US);
Joseph Deguglimo, Boca Raton, FL
(US)

(73) Assignee: **IBT Holdings, LLC**, Deerfield Beach,
FL (US)

(**) Term: **14 Years**

(21) Appl. No.: **29/421,306**

(22) Filed: **Jul. 2, 2012**

(51) **LOC (9) Cl.** **10-04**

(52) **U.S. Cl.**
USPC **D10/72**

(58) **Field of Classification Search**
USPC D10/72, 74; 33/755-771; 242/285,
242/291, 379, 379.1, 379.2, 381, 381.1-381.6,
242/405

See application file for complete search history.

(56) **References Cited**

U.S. PATENT DOCUMENTS

7,377,050	B2 *	5/2008	Shute et al.	33/761
D578,910	S *	10/2008	Deguglimo et al.	D10/72
D653,973	S *	2/2012	Robinson et al.	D10/72
8,215,027	B2 *	7/2012	Kang	33/761
D667,743	S *	9/2012	Huang	D10/72
8,381,411	B2 *	2/2013	DeLaRosa et al.	33/770

* cited by examiner

Primary Examiner — Antoine D Davis

(74) *Attorney, Agent, or Firm* — Dan M. DeLaRosa

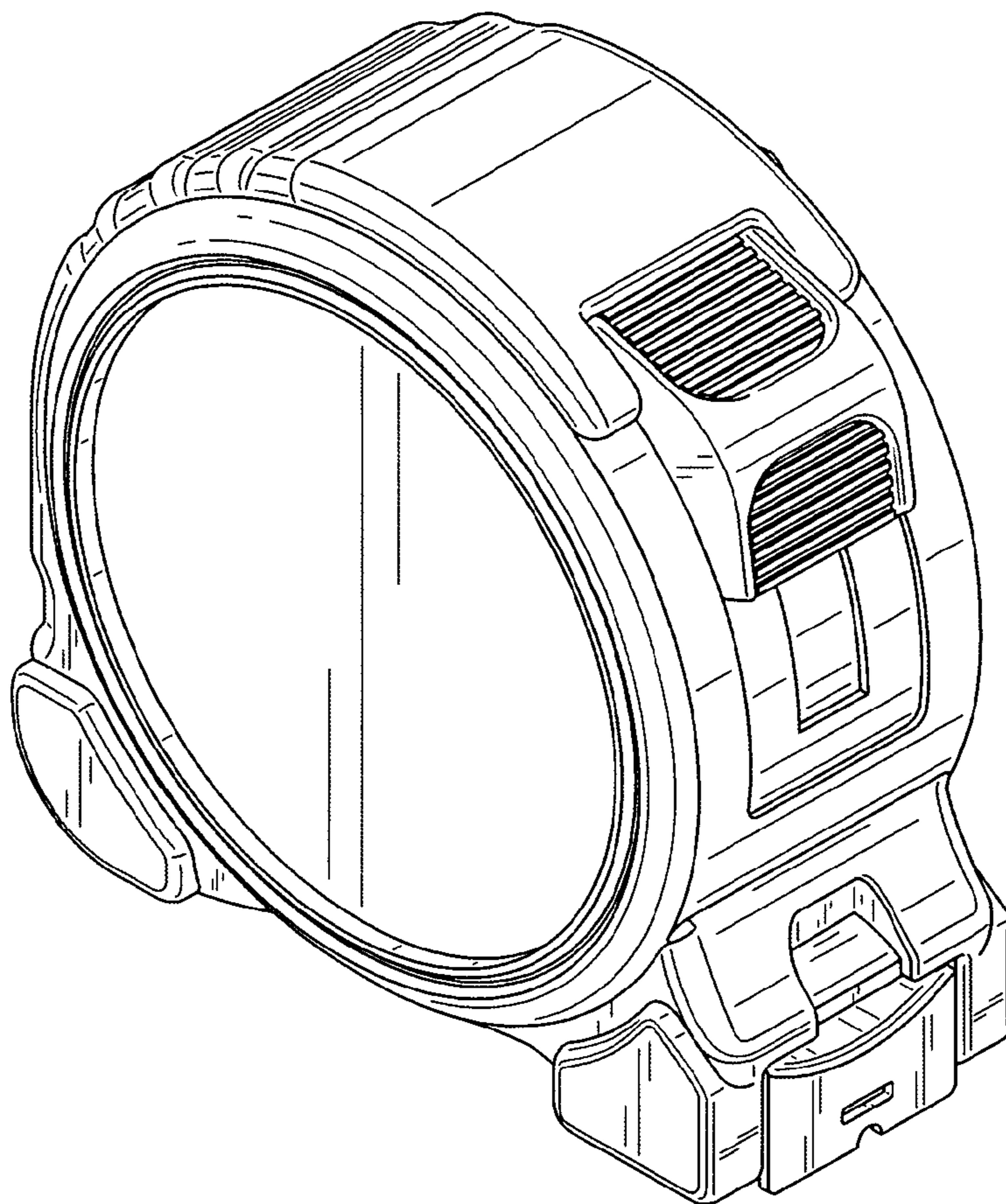
(57) **CLAIM**

The ornamental design for a tape measure, as shown and described.

DESCRIPTION

FIG. 1 is a front perspective view of the tape measure of the present invention showing my new design; FIG. 2 is a front side elevational view thereof; FIG. 3 is a back side elevational view thereof; FIG. 4 is a side elevational view thereof; FIG. 5 is another side elevational view thereof; FIG. 6 is a top plan view thereof; and, FIG. 7 is a bottom plan view thereof.

1 Claim, 5 Drawing Sheets



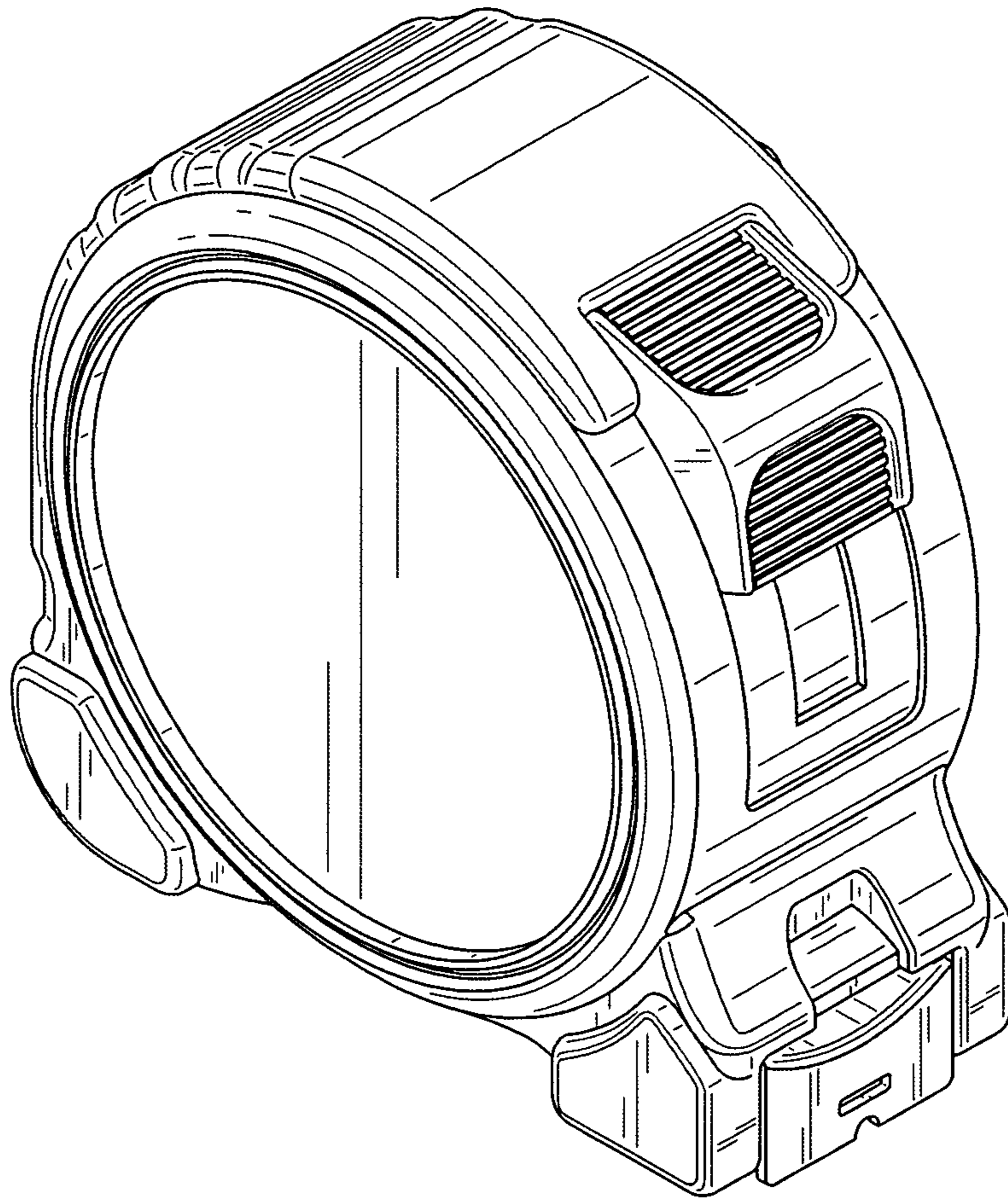


FIG. 1

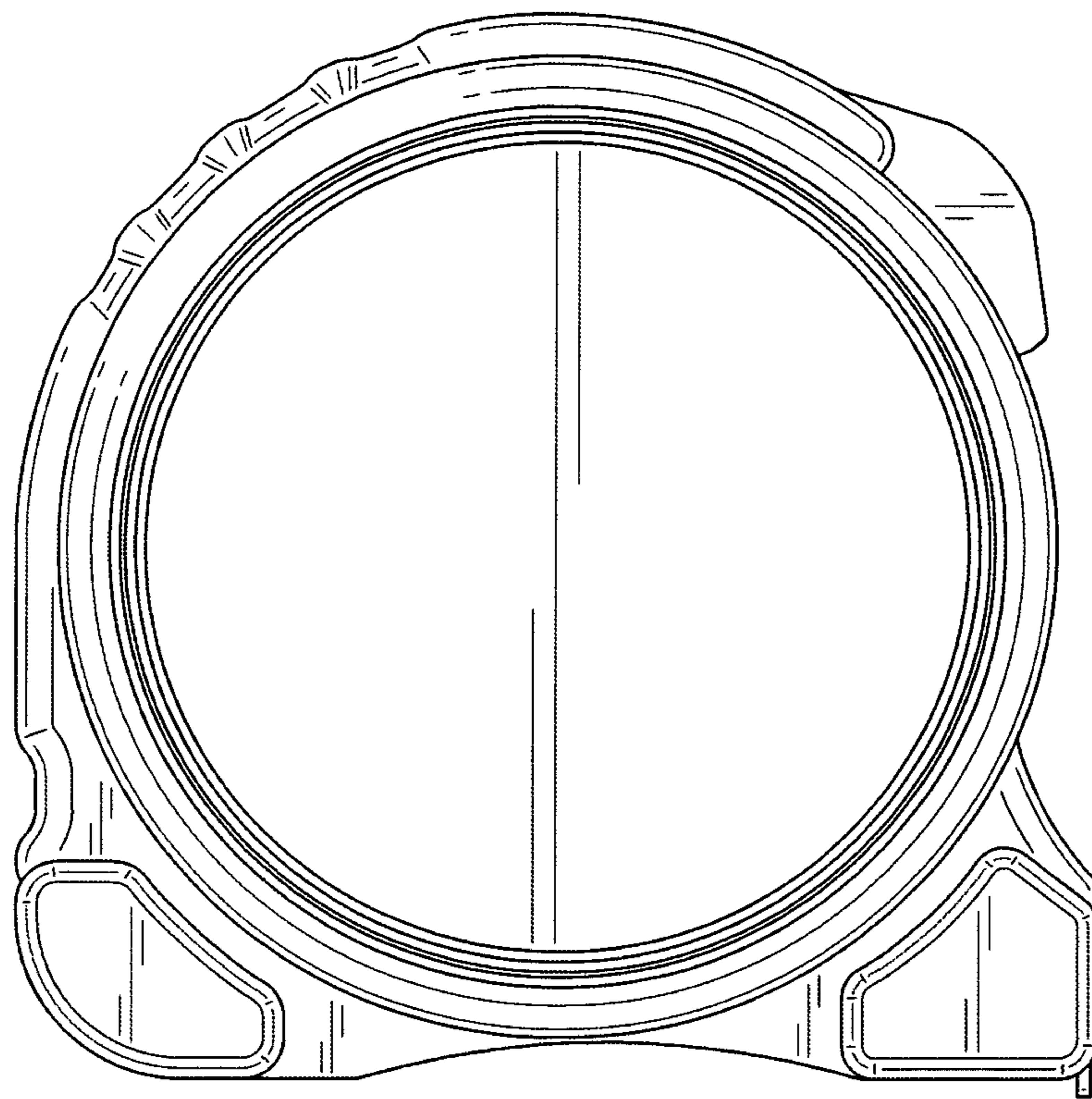


FIG. 2

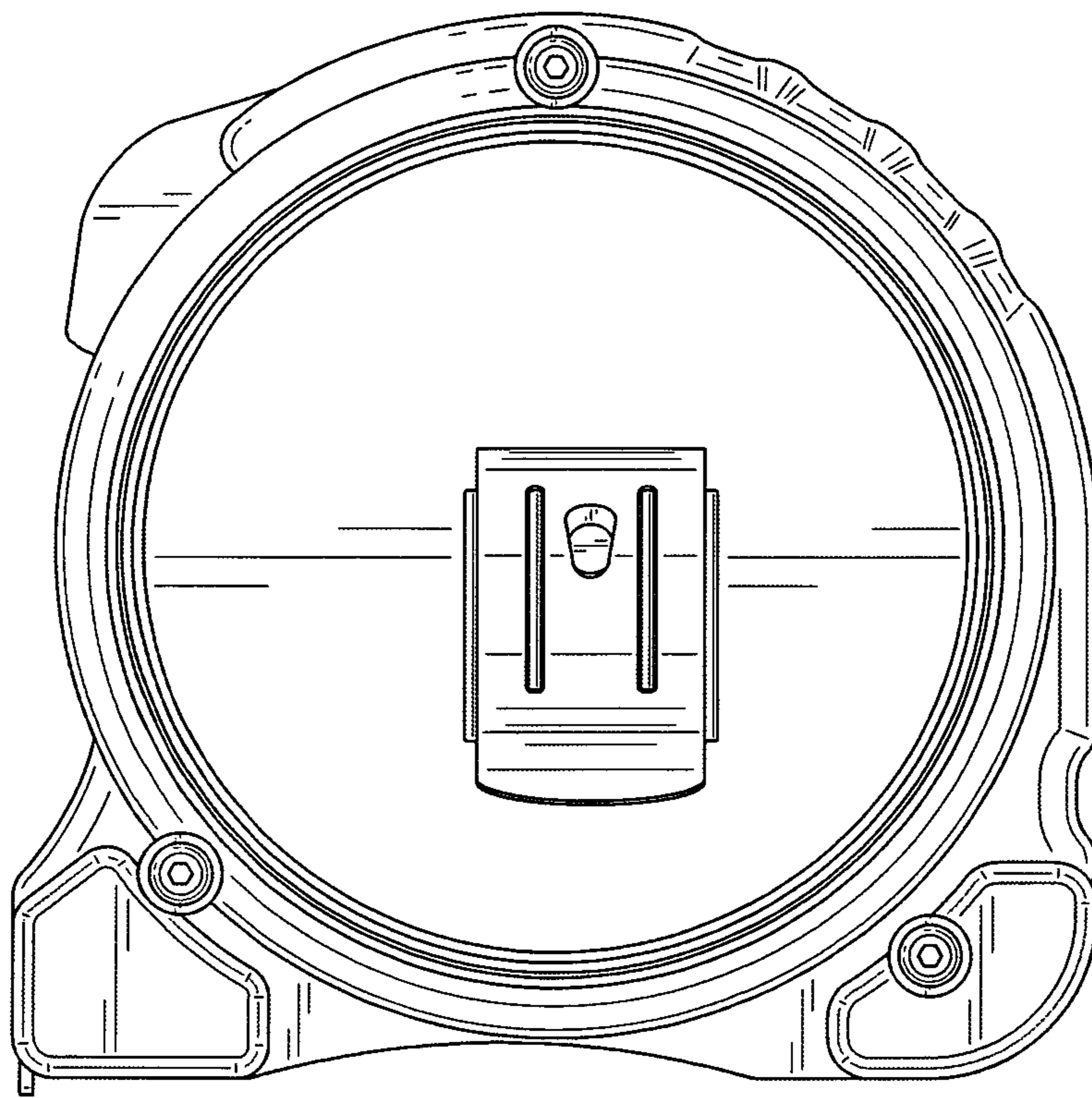


FIG. 3

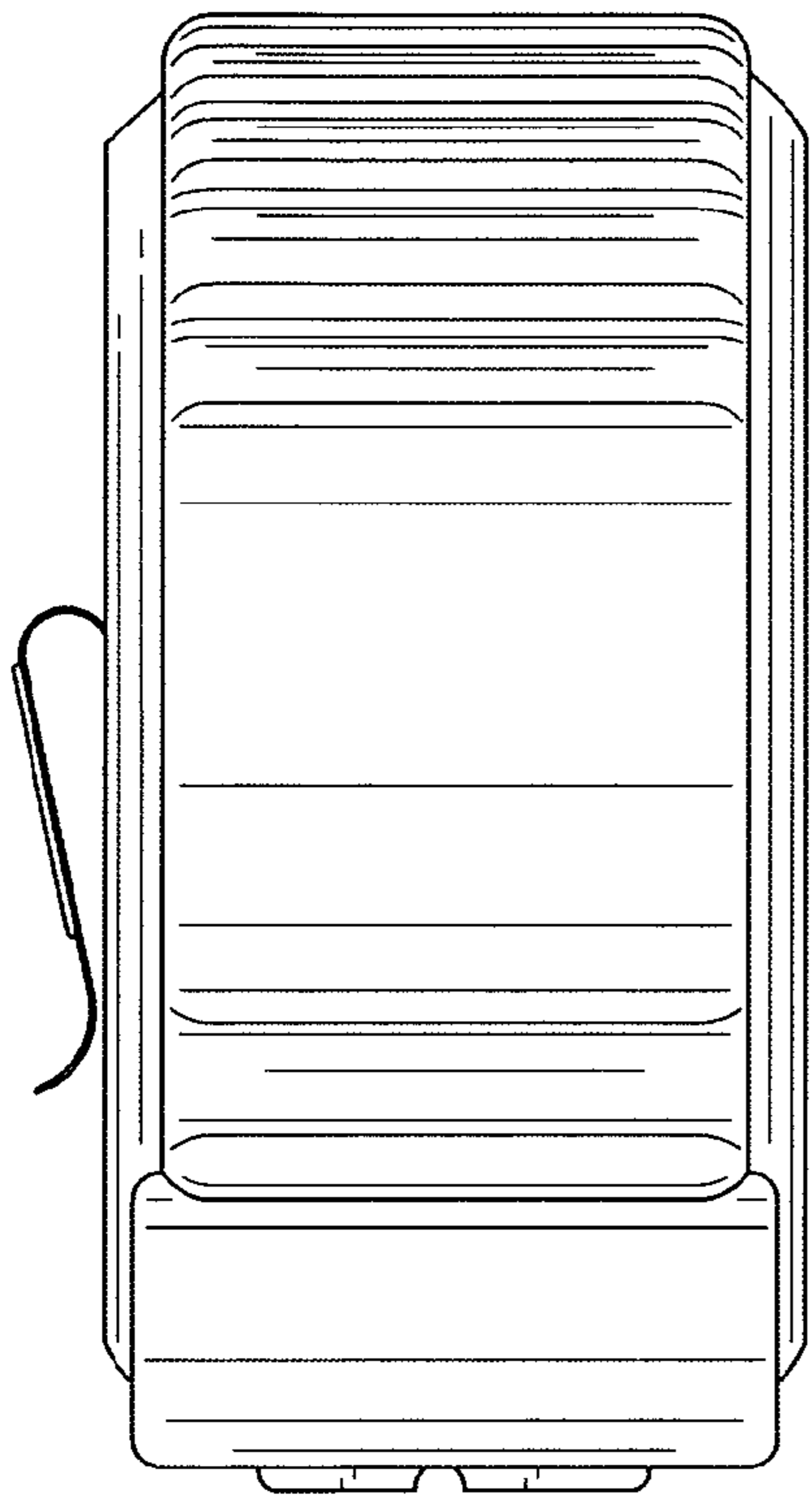


FIG. 4

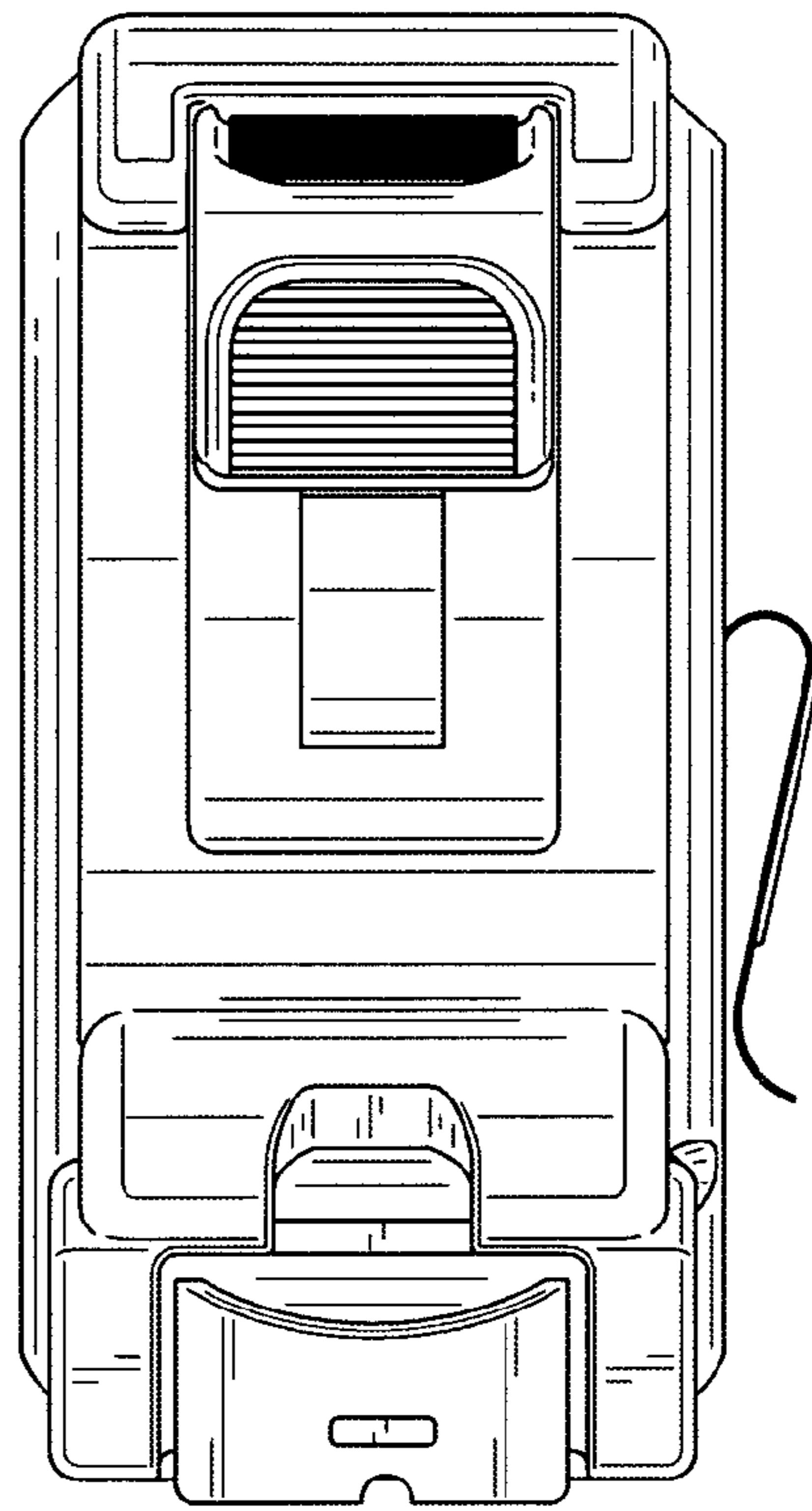


FIG. 5

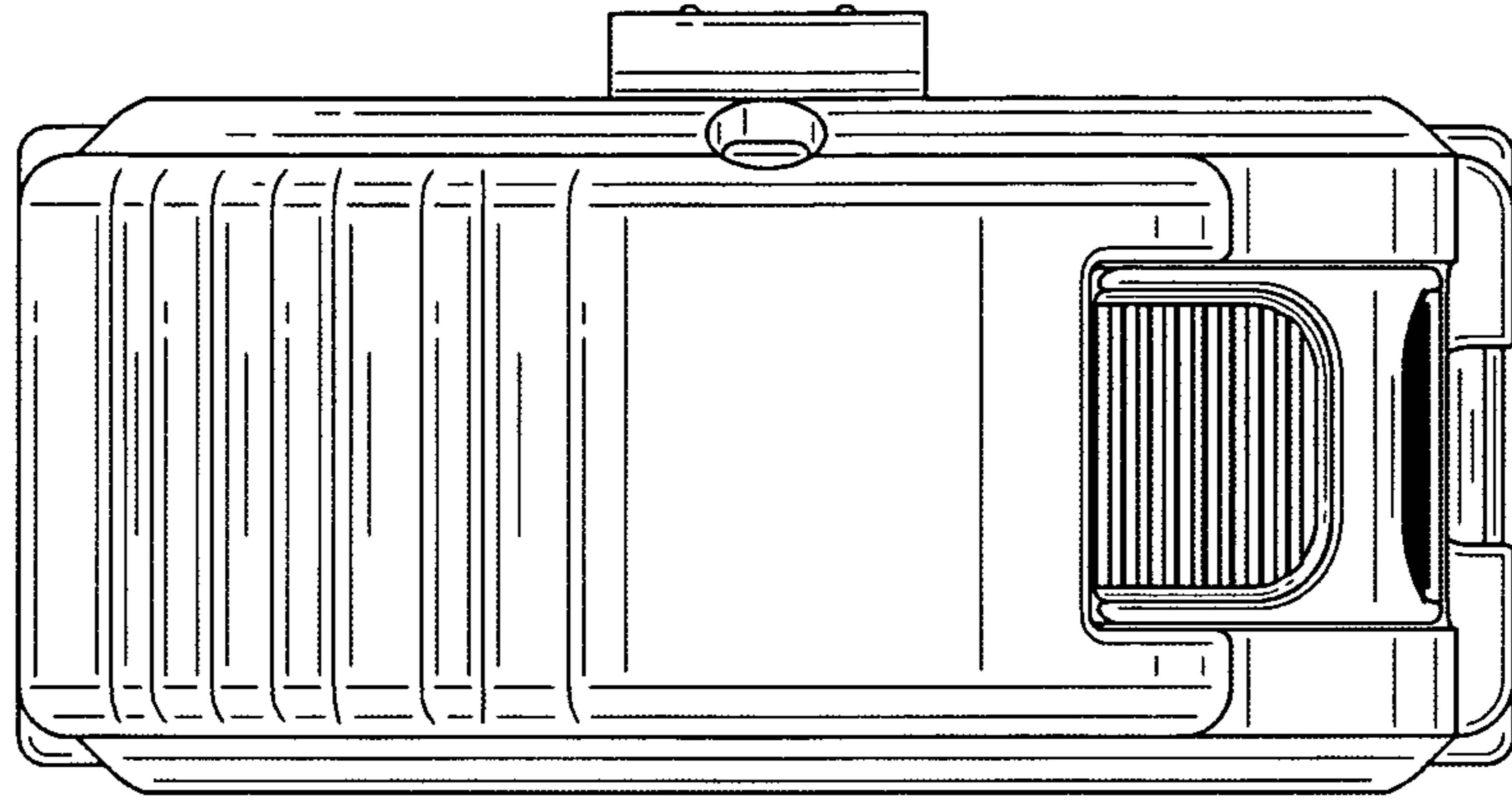


FIG. 6

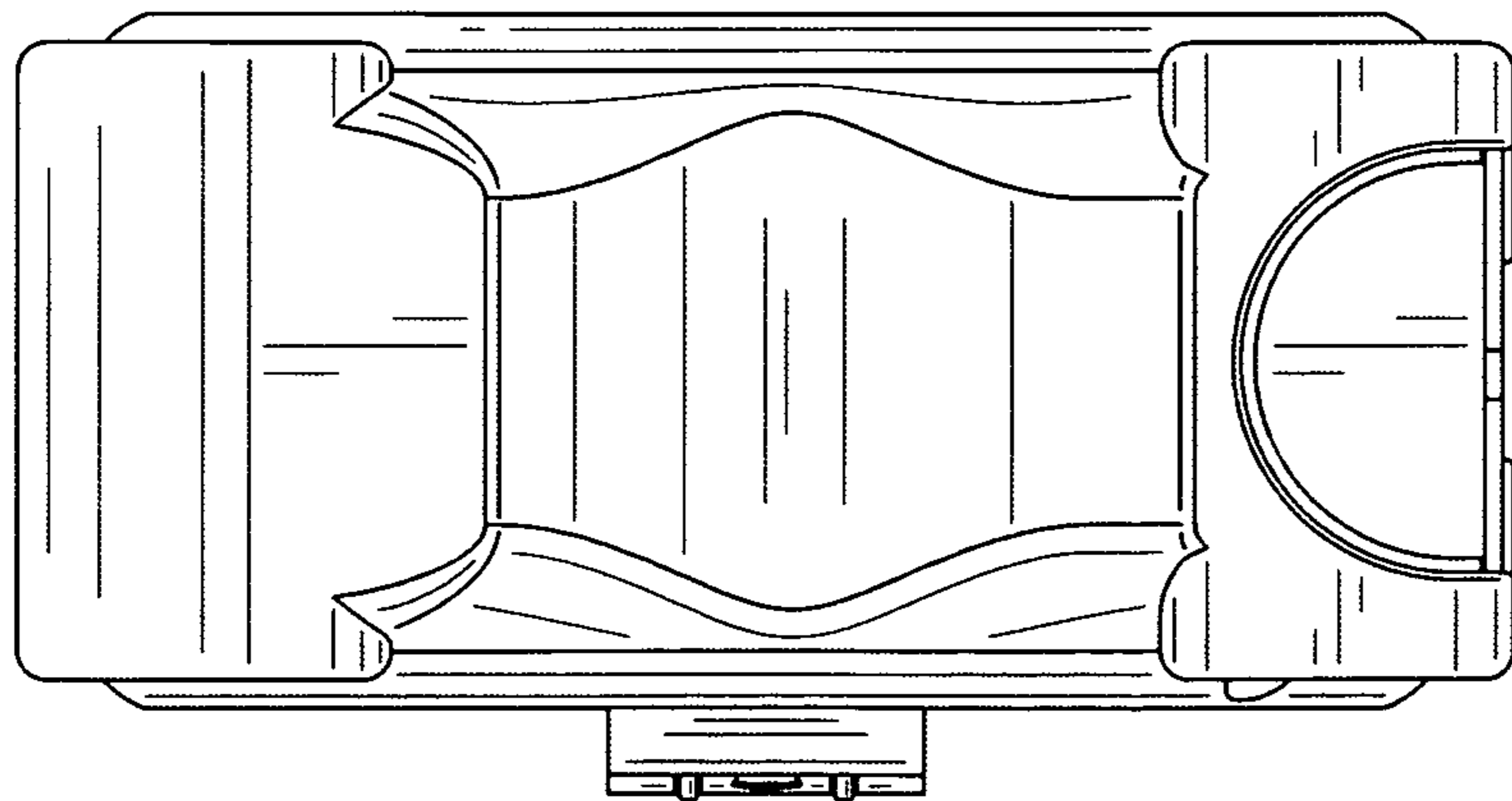


FIG. 7