



US00D686513S

(12) **United States Design Patent**
Henriksson

(10) **Patent No.:** **US D686,513 S**
(45) **Date of Patent:** **** Jul. 23, 2013**

(54) **SNUFF BOX**

(75) Inventor: **Nina Henriksson**, Stockholm (SE)

(73) Assignee: **Swedish Match North Europe AB**,
Stockholm (SE)

(**) Term: **14 Years**

(21) Appl. No.: **29/378,370**

(22) Filed: **Nov. 3, 2010**

(30) **Foreign Application Priority Data**

May 3, 2010 (EP) 001703505-0001
May 3, 2010 (EP) 001703505-0002

(51) **LOC (9) Cl.** **09-01**

(52) **U.S. Cl.**
USPC **D9/772; D9/428**

(58) **Field of Classification Search**
USPC D9/424, 425, 428, 500, 502-504,
D9/549, 575, 763-783; 215/381-385; 220/660,
220/662, 669; D7/601, 630
See application file for complete search history.

(56) **References Cited**

U.S. PATENT DOCUMENTS

D275,222 S * 8/1984 Hoyt D23/369
D303,584 S * 9/1989 Bakic D28/91
D411,747 S * 6/1999 Kokenge et al. D9/503
D476,572 S * 7/2003 Merritt D9/504
D494,474 S * 8/2004 Houk et al. D9/504
D499,025 S * 11/2004 Houk et al. D9/520
D510,524 S * 10/2005 Houk et al. D9/503
D518,728 S * 4/2006 Frantz D9/504
D523,752 S * 6/2006 Bried et al. D9/504
D567,656 S * 4/2008 Neias D9/449
D581,792 S * 12/2008 Krohn D9/504
D589,368 S * 3/2009 Abolfazlian D9/772
D590,272 S * 4/2009 Abolfazlian D9/772

D617,210 S * 6/2010 Abolfazlian et al. D9/772
7,798,319 B1 * 9/2010 Bried et al. 206/242
D625,047 S * 10/2010 Gibson et al. D27/183
D626,687 S * 11/2010 Gibson et al. D27/183
D635,015 S * 3/2011 McKenzie D9/416
D640,545 S * 6/2011 Gibson et al. D9/428
D640,546 S * 6/2011 Berggren D9/428
D645,352 S * 9/2011 Bore D9/504

(Continued)

FOREIGN PATENT DOCUMENTS

AU 324711 2/2009
AU 324712 2/2009
GB 996269-0001 11/2010

Primary Examiner — Keli L Hill

(74) *Attorney, Agent, or Firm* — Haynes and Boone, LLP

(57) **CLAIM**

The ornamental design for a snuff box, as shown and described.

DESCRIPTION

FIG. 1 is a front, side and top perspective view of a snuff box showing my new design.

FIG. 2 is a rear, side and bottom perspective view of the snuff box.

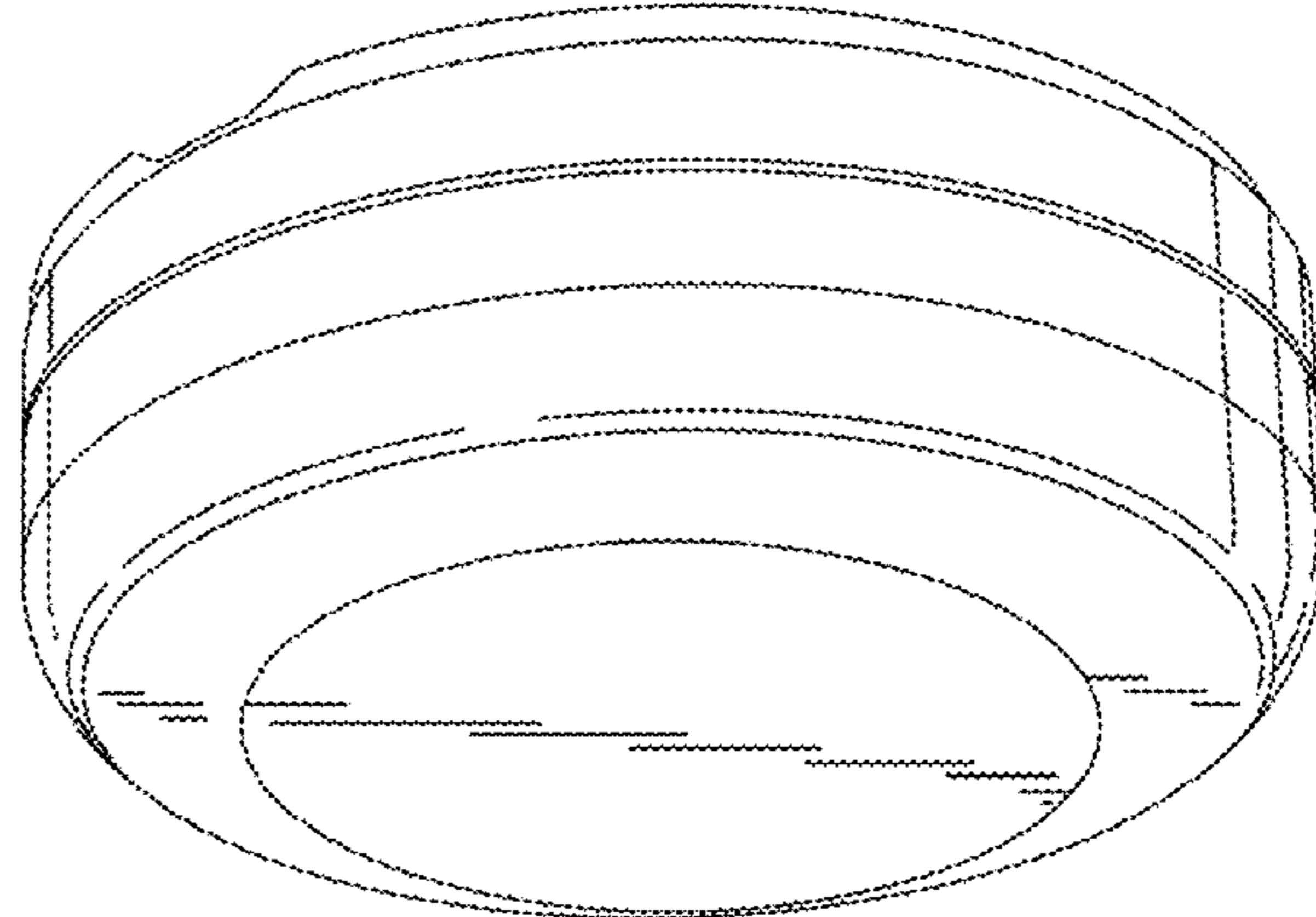
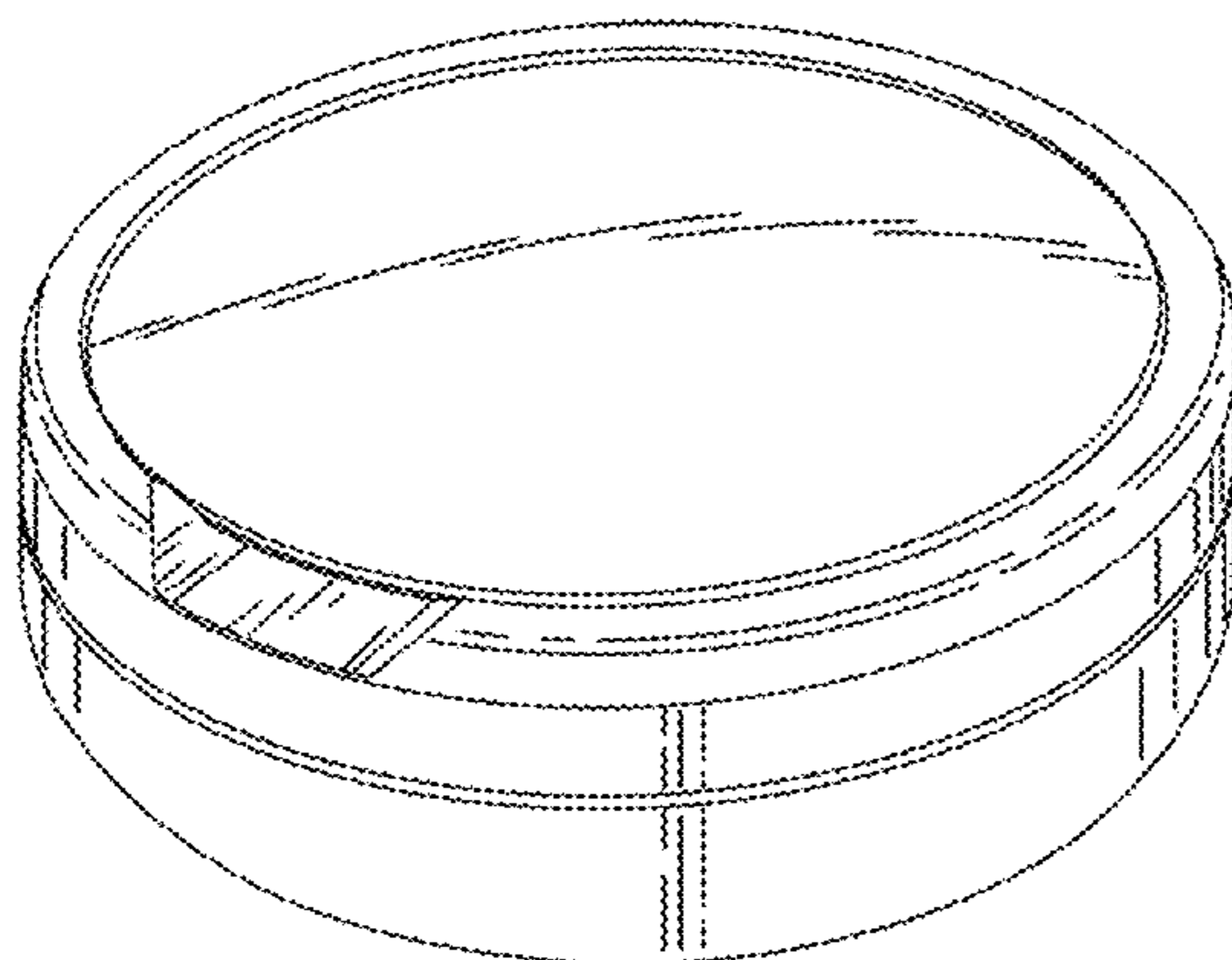
FIG. 3 is a front elevational view of the snuff box, the rear elevational view being the same except it has a continuous top corner edge without the recess in the lid that is shown in FIG. 2.

FIG. 4 is a front and top perspective view of the base of the snuff box, with the lid removed, the base appearing the same when viewed from the rear and either side.

FIG. 5 is a front, side and top perspective view of the lid of the snuff box, when removed from the base and with a disposal lid removed; and,

FIG. 6 is front and bottom perspective view of the lid of the snuff box, when removed from the base.

1 Claim, 6 Drawing Sheets



US D686,513 S

Page 2

U.S. PATENT DOCUMENTS

D650,269 S * 12/2011 Berggren D9/428
D651,519 S * 1/2012 Gibson et al. D9/529 * cited by examiner
D651,923 S * 1/2012 Cronin D9/772
D653,127 S * 1/2012 Cronin et al. D9/780

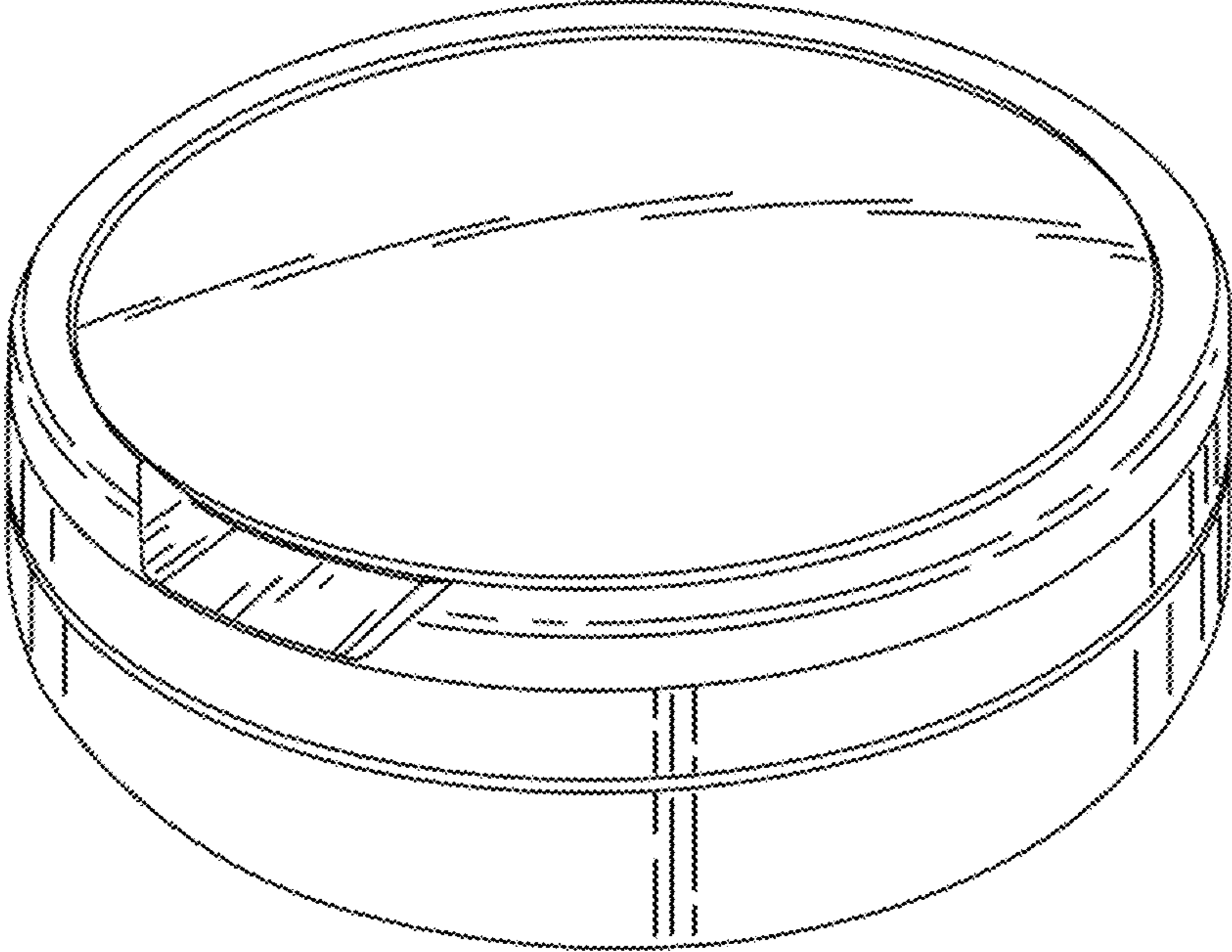


Fig. 1

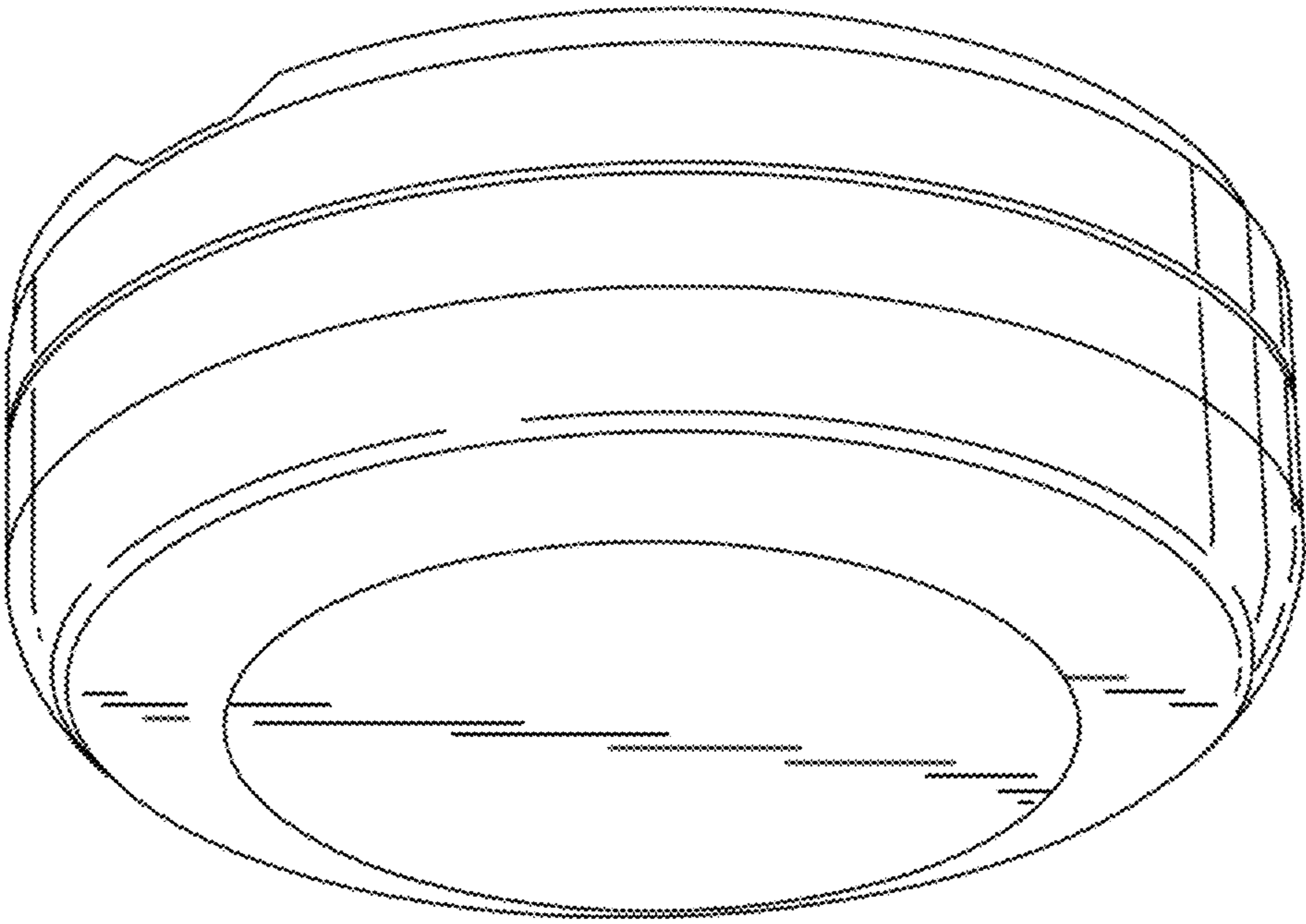


Fig. 2

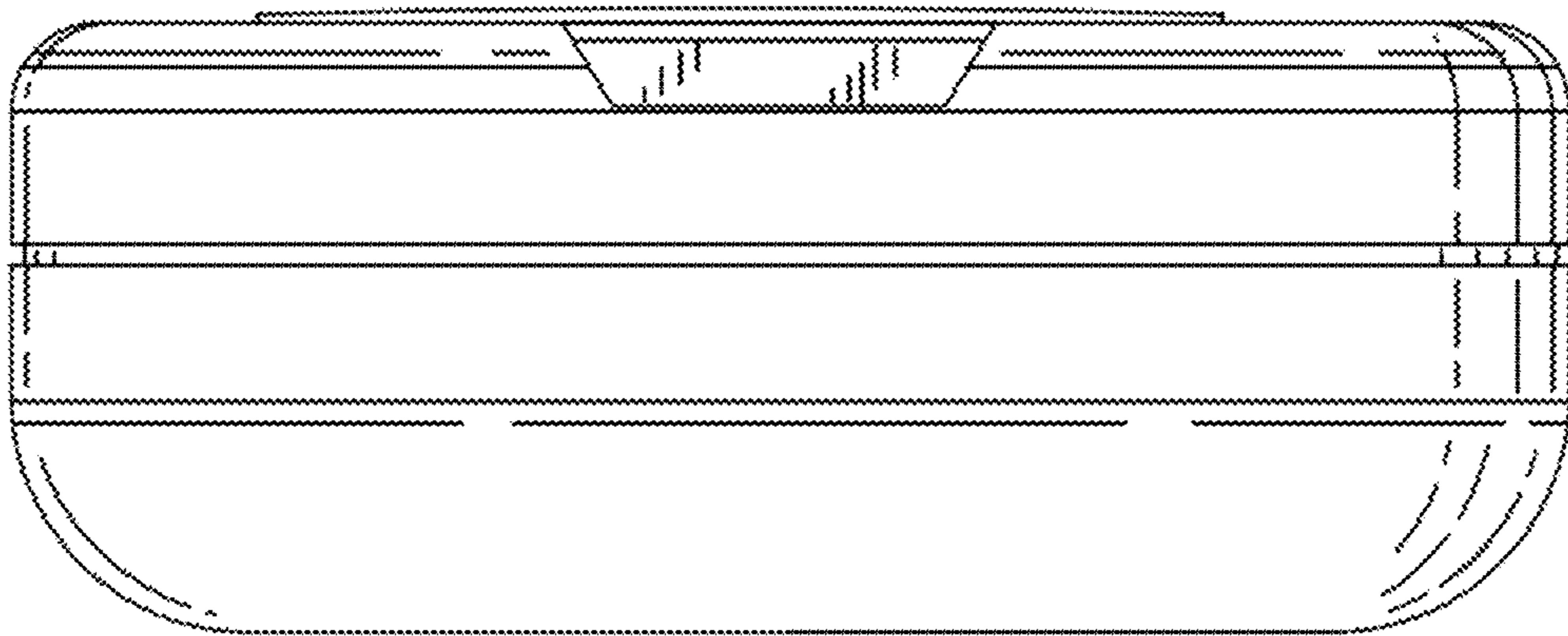


Fig. 3

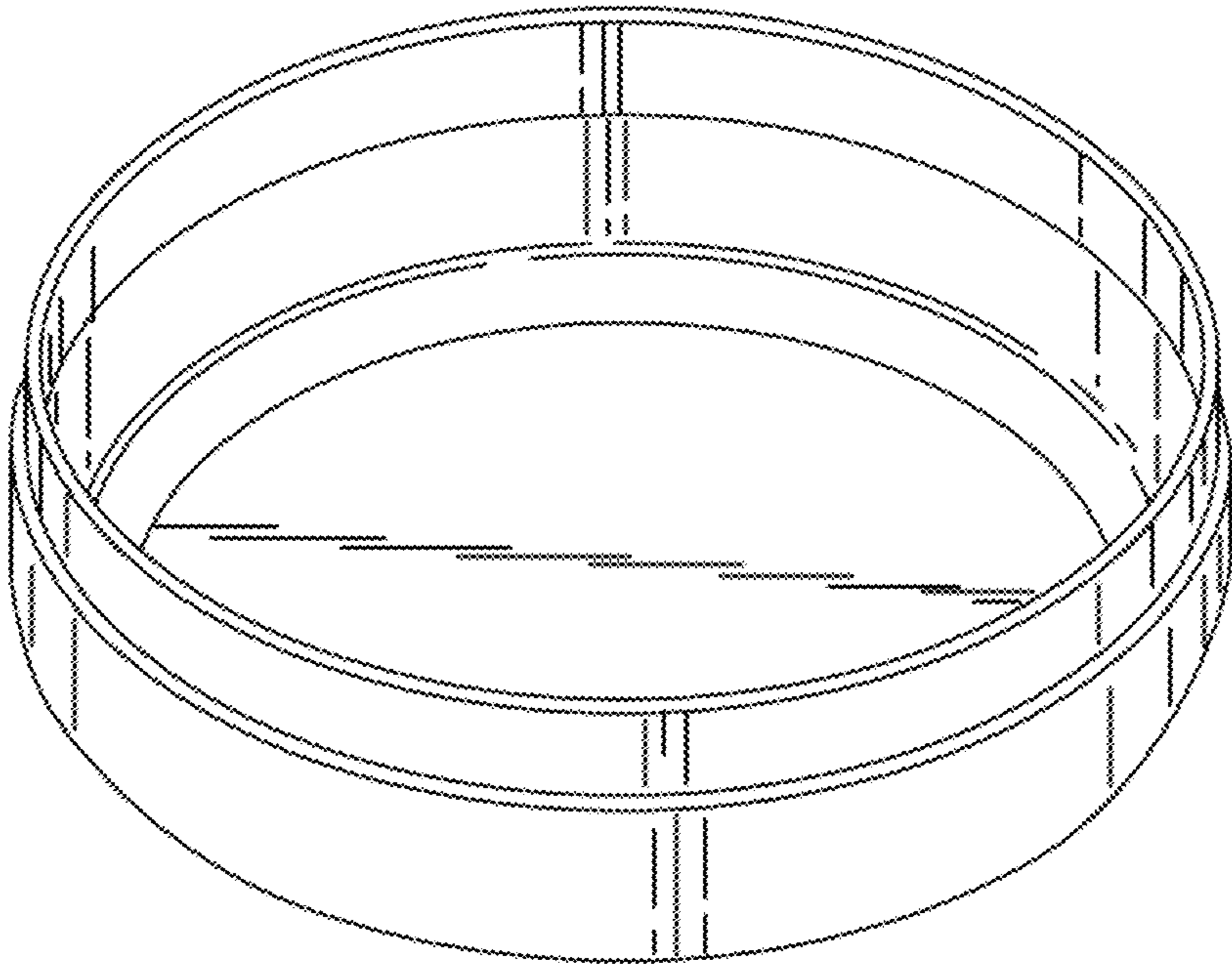


Fig. 4

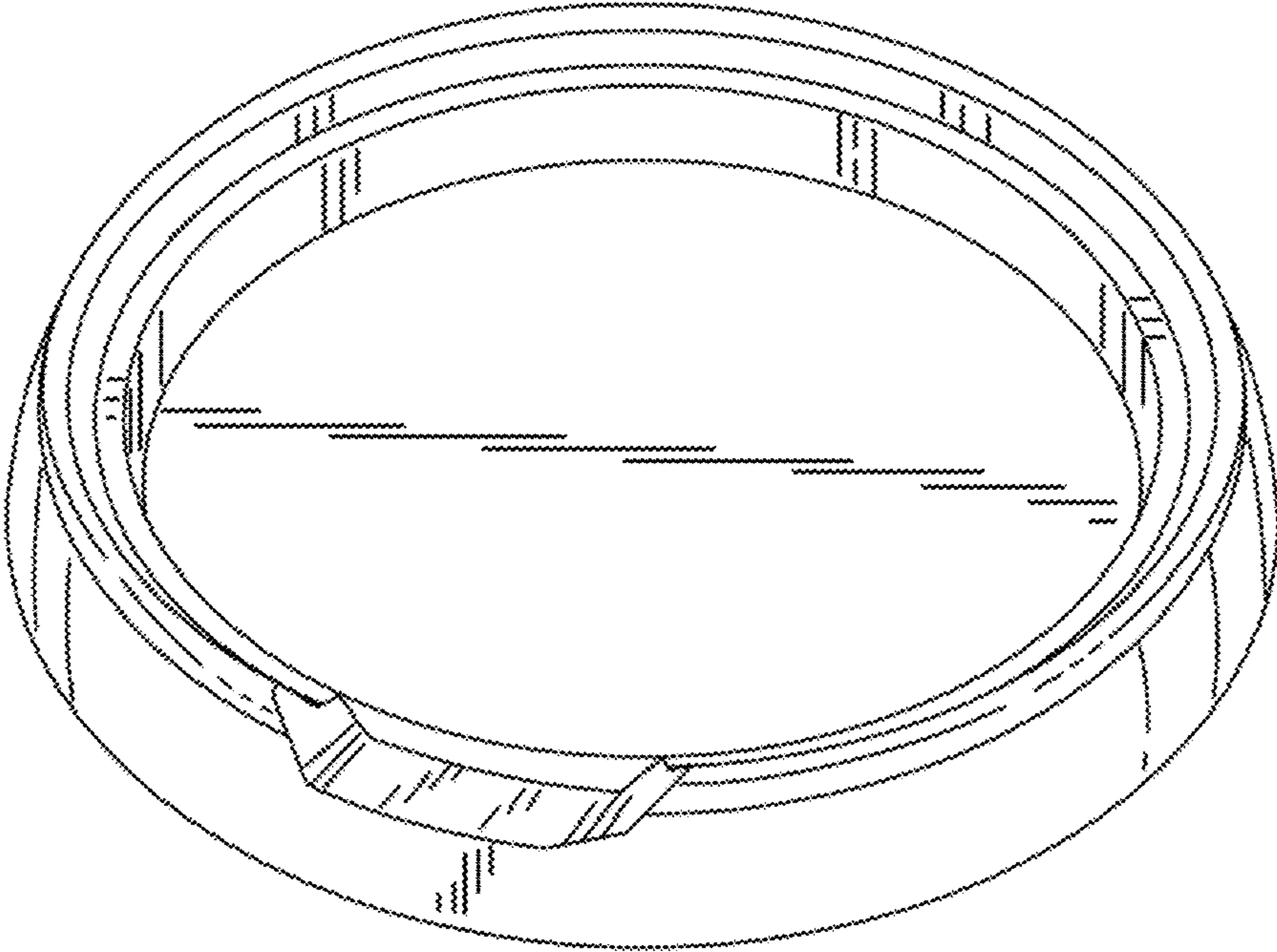


Fig. 5

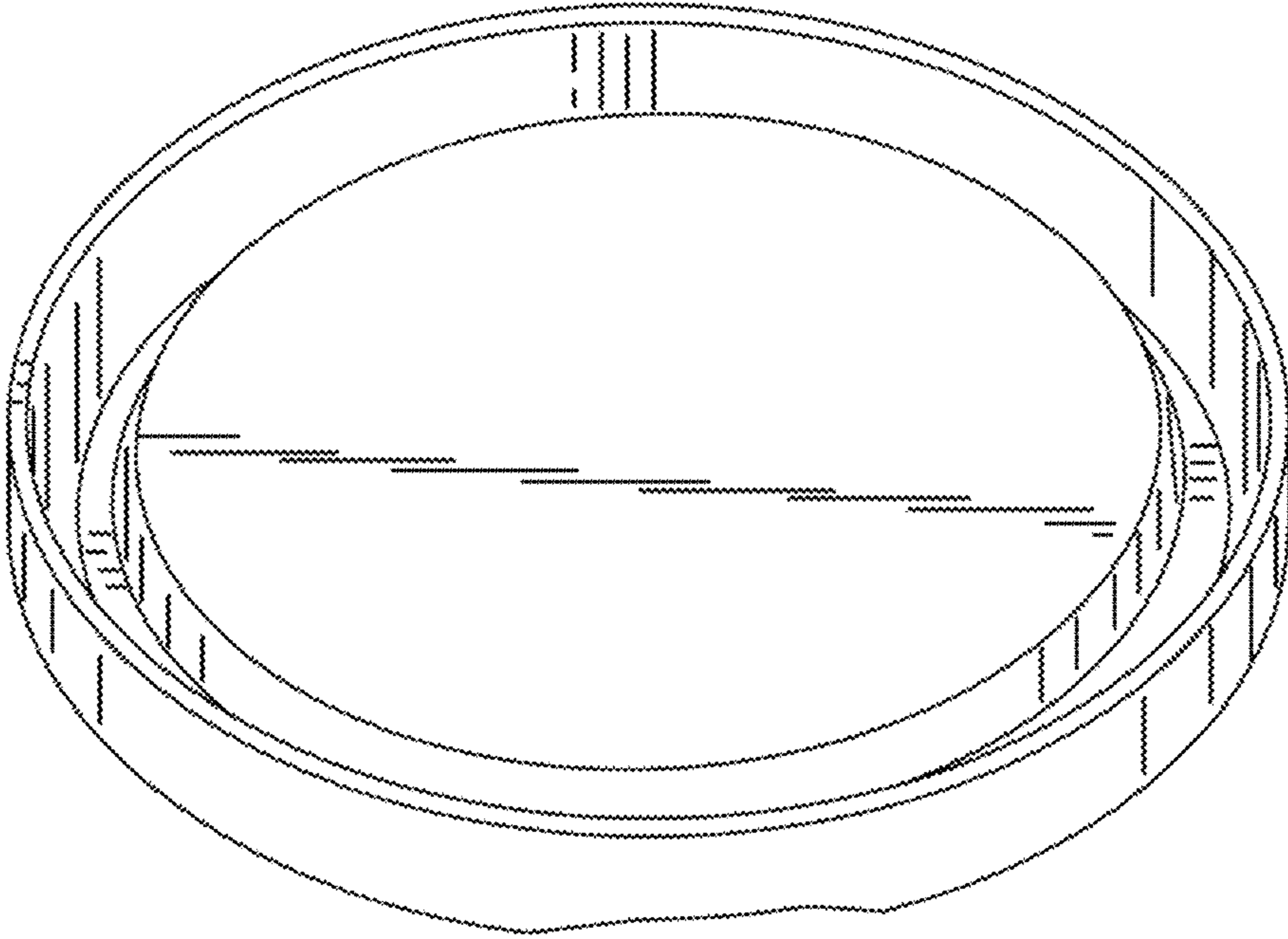


Fig. 6