



US00D686510S

(12) **United States Design Patent**  
**Zerba et al.**

(10) **Patent No.:** **US D686,510 S**  
(45) **Date of Patent:** **\*\* Jul. 23, 2013**

(54) **COSMETIC DISPENSER**

(75) Inventors: **Mark Zerba**, Scottsdale, AZ (US);  
**Hagins Fugate**, Phoenix, AZ (US);  
**Damien Moyal**, Ann Arbor, MI (US)

(73) Assignee: **The Dial Corporation**, Scottsdale, AZ (US)

(\*\*) Term: **14 Years**

(21) Appl. No.: **29/422,943**

(22) Filed: **May 25, 2012**

(51) **LOC (9) Cl.** ..... **09-01**

(52) **U.S. Cl.**  
USPC ..... **D9/726**

(58) **Field of Classification Search**  
USPC ..... D9/434, 435, 516, 529, 537, 539,  
D9/552, 723-729; 215/381-385; 220/660,  
220/669, 675; D24/133; D28/4, 7  
See application file for complete search history.

(56) **References Cited**

**U.S. PATENT DOCUMENTS**

D250,248 S *	11/1978	Grip .....	D9/726
D310,779 S *	9/1990	Gloeckler .....	D9/529
D317,118 S *	5/1991	Crawford .....	D9/726
D346,112 S *	4/1994	Alcindor .....	D9/726
D368,427 S *	4/1996	Bicknell et al. ....	D9/726

D458,708 S *	6/2002	Oates et al. ....	D28/10
D508,414 S *	8/2005	Lamb et al. ....	D9/522
D512,639 S *	12/2005	Weber .....	D9/529
D513,593 S *	1/2006	Weber .....	D9/529
D514,942 S *	2/2006	Weber .....	D9/529
D514,943 S *	2/2006	Weber .....	D9/529
D617,657 S *	6/2010	Schriner et al. ....	D9/723
D620,366 S *	7/2010	Bruscha et al. ....	D9/529

\* cited by examiner

*Primary Examiner* — Keli L Hill

(74) *Attorney, Agent, or Firm* — Paul A. Pappalardo

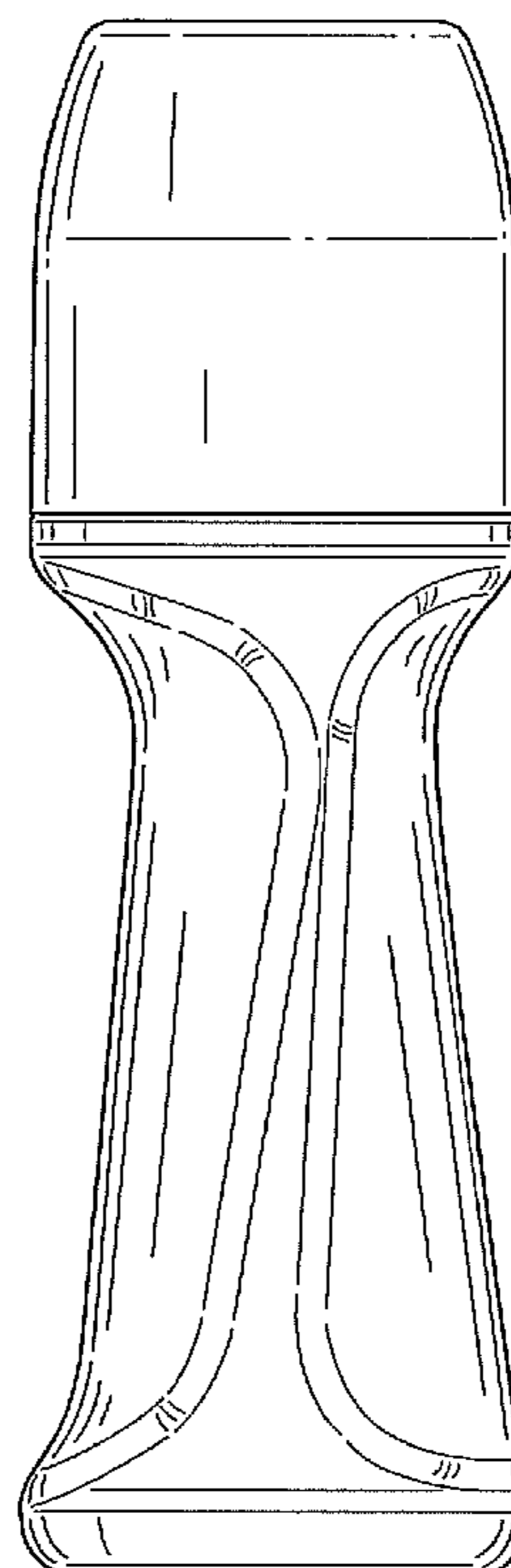
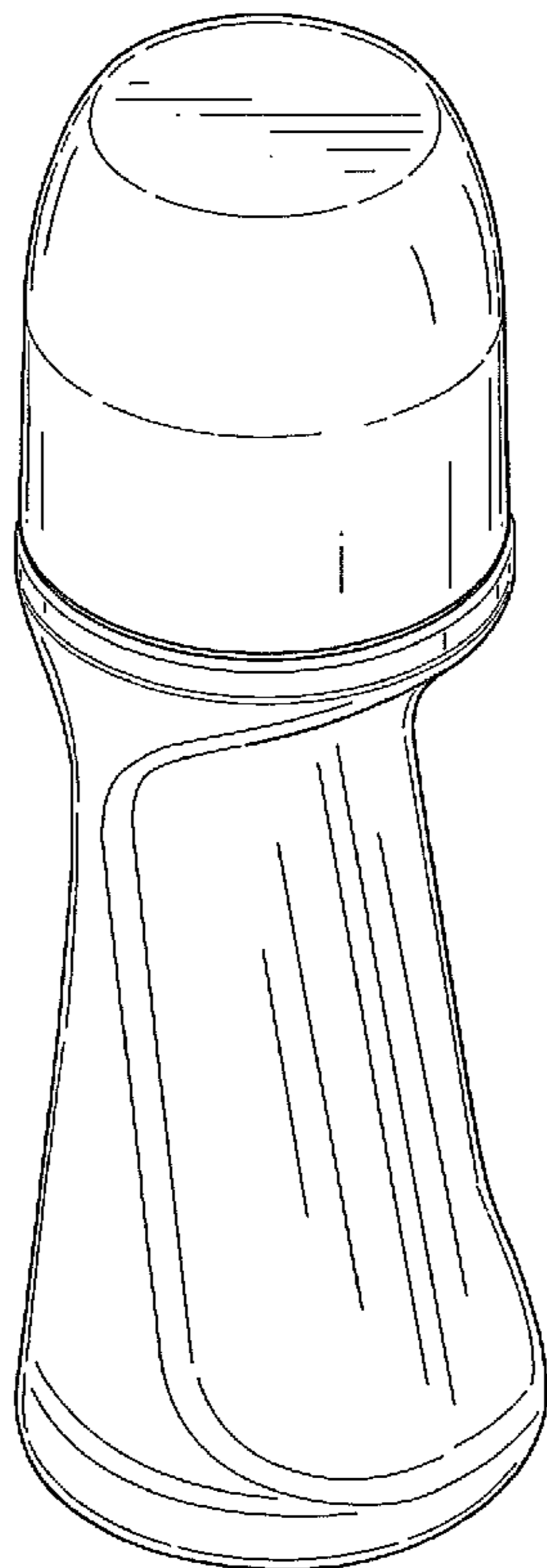
(57) **CLAIM**

The ornamental design for a cosmetic dispenser, as shown and described.

**DESCRIPTION**

FIG. 1 is an upper perspective view of a cosmetic dispenser embodying our new design;  
FIG. 2 is a front elevation view thereof;  
FIG. 3 is a rear elevation view thereof;  
FIG. 4 is a right side elevation view thereof;  
FIG. 5 is a left side elevation view thereof;  
FIG. 6 is a top plan view thereof; and,  
FIG. 7 is a bottom plan view thereof.

**1 Claim, 4 Drawing Sheets**



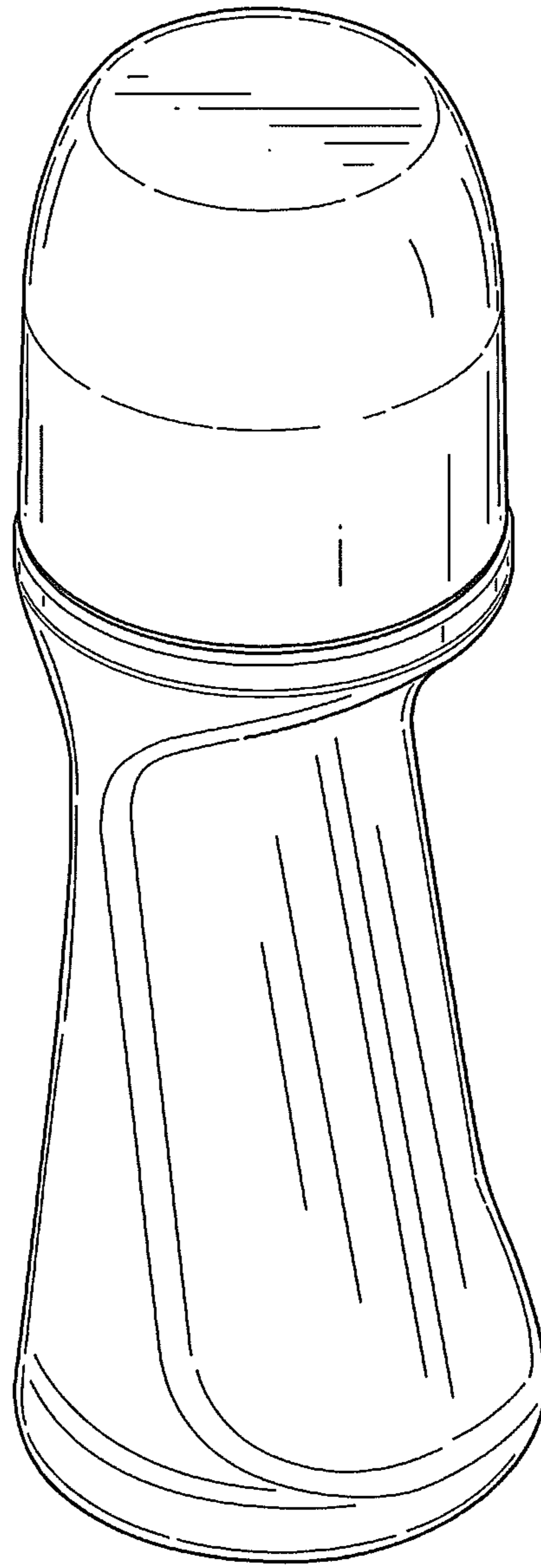


FIG.1

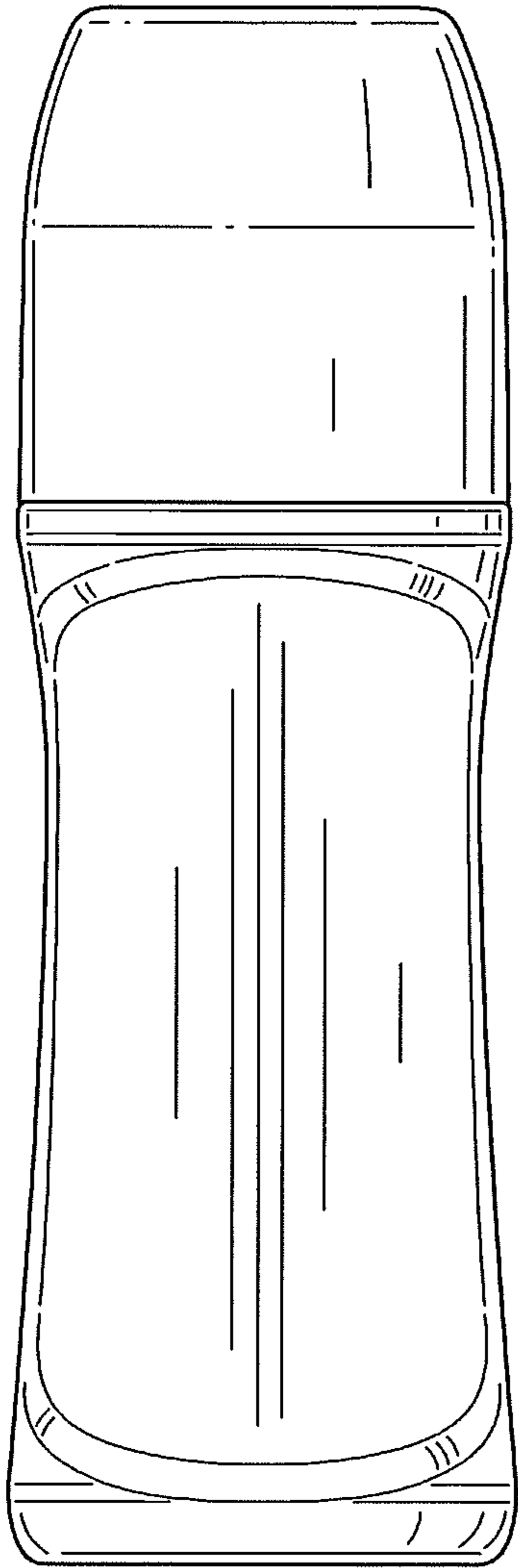


FIG. 2

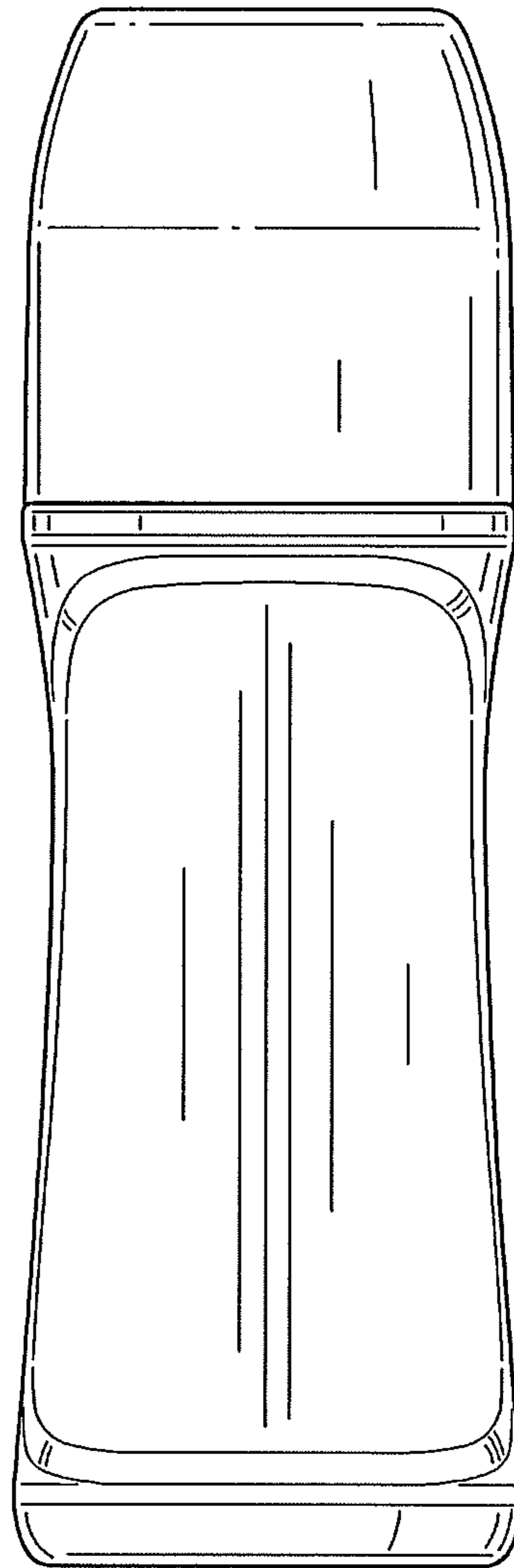


FIG. 3

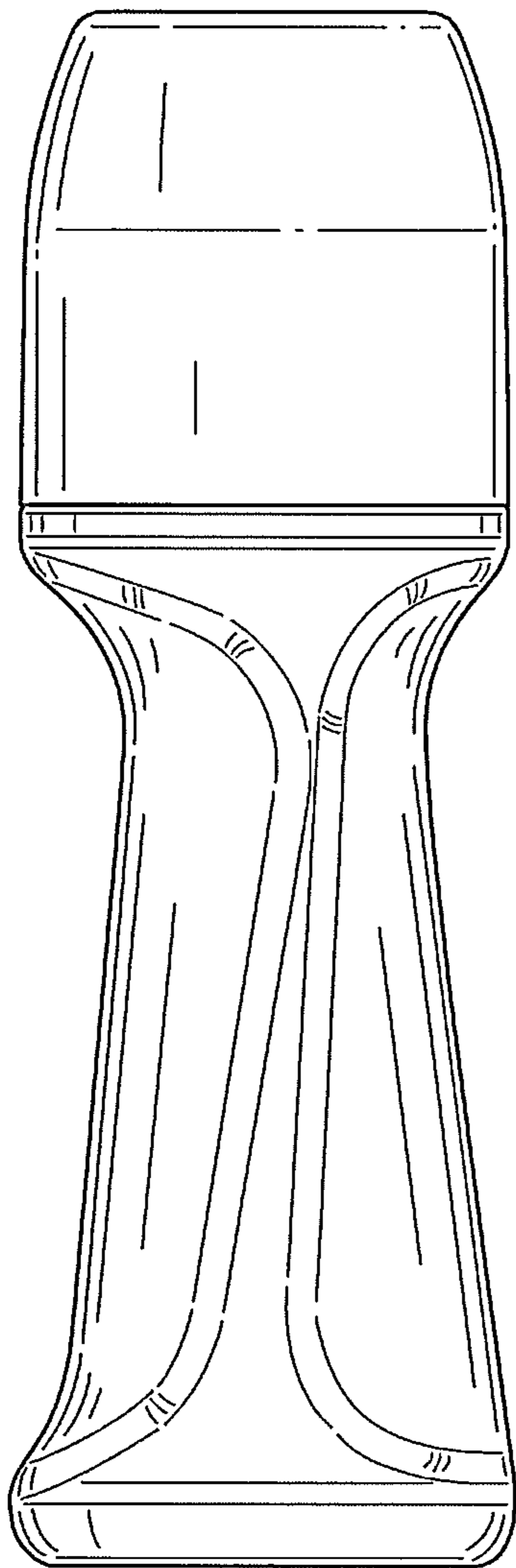


FIG.4

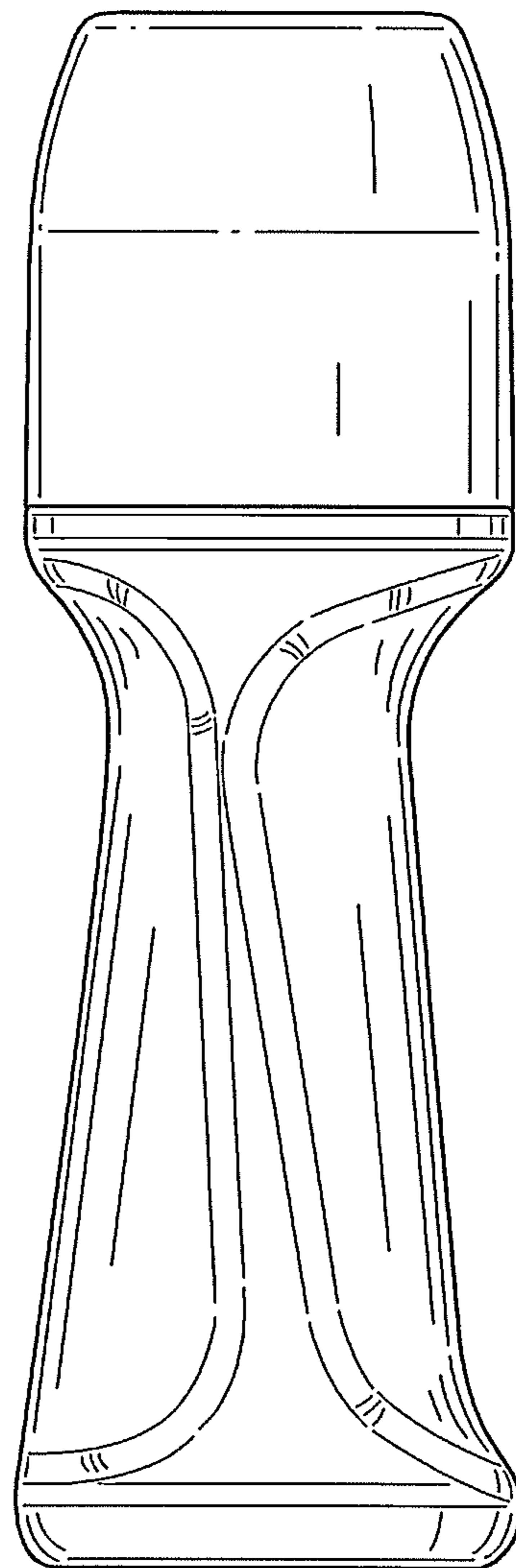


FIG.5

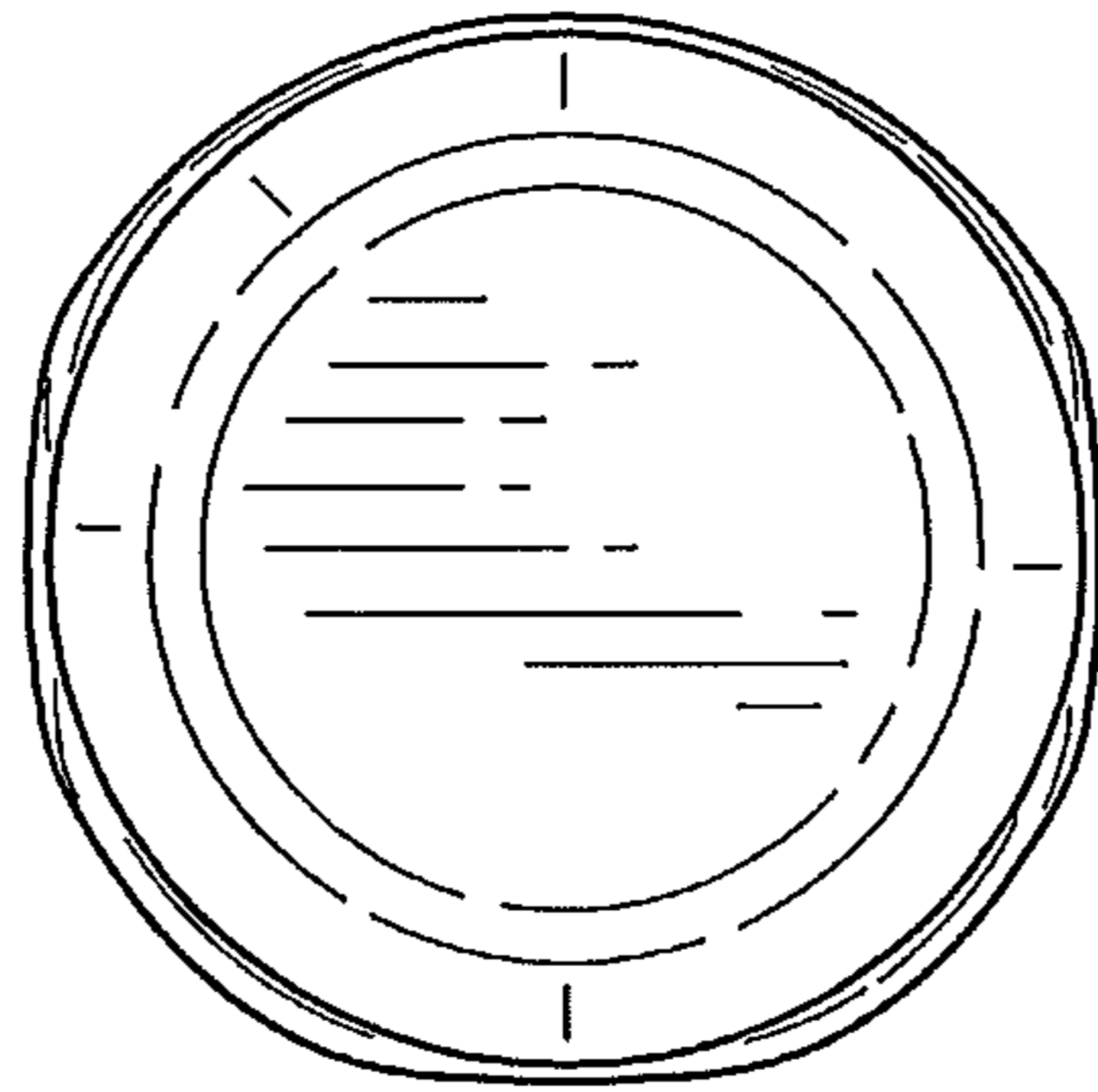


FIG. 6

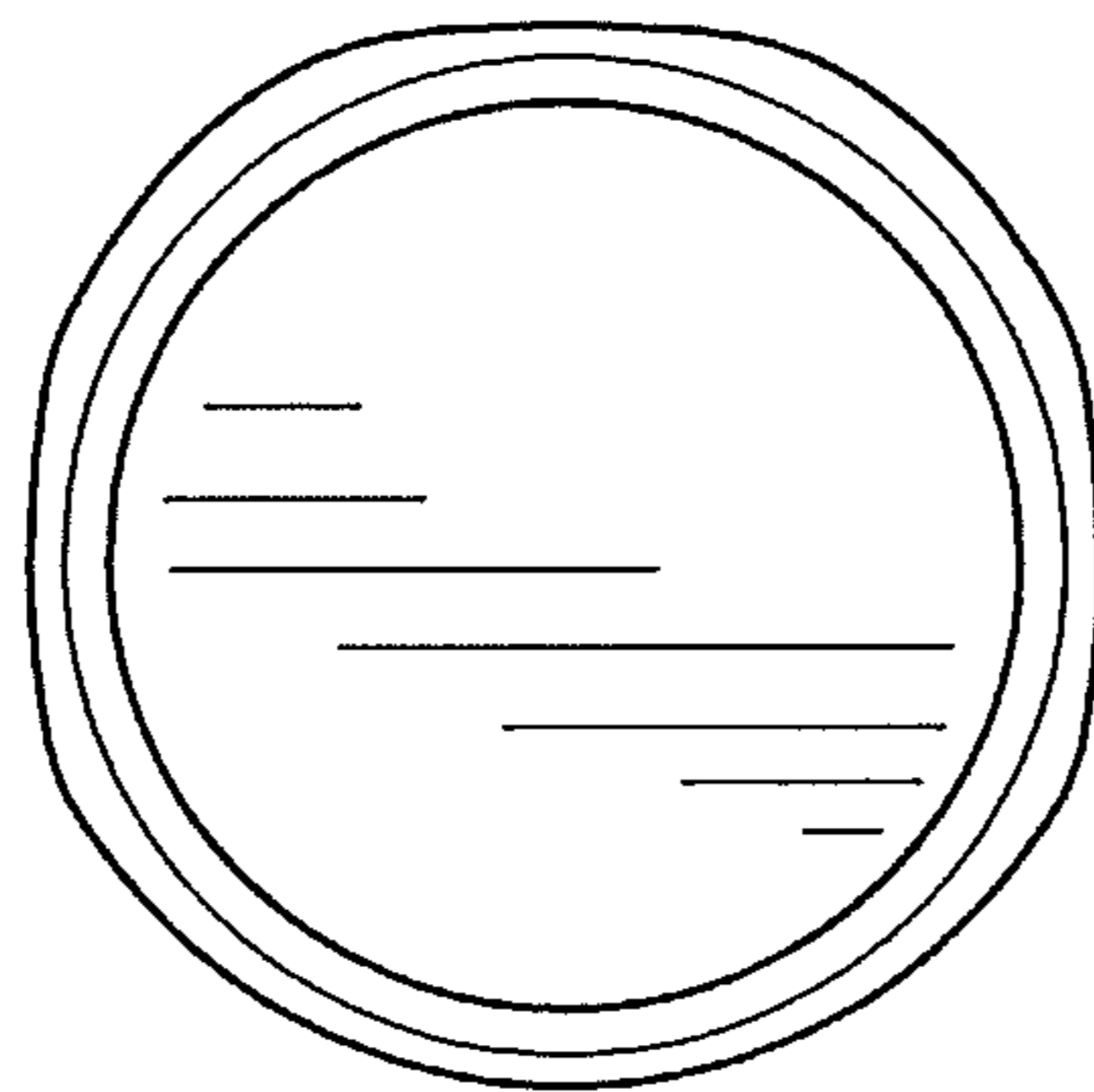


FIG. 7