



US00D686507S

(12) **United States Design Patent**
Zanini

(10) **Patent No.:** **US D686,507 S**
(45) **Date of Patent:** **** Jul. 23, 2013**

(54) **CONTAINER FOR FOOD TO BE CONSUMED ON THE MOVE**

(75) Inventor: **Roberto Zanini**, Verona (IT)

(73) Assignee: **Zanini Ristorazione S.R.L.**, Verona (IT)

(**) Term: **14 Years**

(21) Appl. No.: **29/404,199**

(22) Filed: **Oct. 17, 2011**

(30) **Foreign Application Priority Data**

Apr. 18, 2011 (EM) 001852401-0001

(51) **LOC (9) Cl.** **09-05**

(52) **U.S. Cl.**
USPC **D9/702**

(58) **Field of Classification Search**

USPC D9/715, 716, 721, 730, 728, 737,
D9/761, 755, 742, 740, 743, 744, 745, 430;
426/112, 115, 120; 206/217, 541, 561, 562,
206/218, 549; 229/120.38, 902, 904, 400;
D7/601, 602, 614, 701, 619.1

See application file for complete search history.

(56) **References Cited**

U.S. PATENT DOCUMENTS

1,225,870 A 5/1917 Schwing
1,996,431 A * 4/1935 McKichan 4/259
D134,238 S * 11/1942 Gales D9/433
2,340,373 A * 2/1944 Gardner 47/84
2,757,524 A 8/1956 Witten
2,802,565 A * 8/1957 Kabbash 229/125.015
3,637,130 A * 1/1972 Farquhar 229/243
D245,478 S * 8/1977 Clough et al. D9/418
4,910,913 A * 3/1990 Streeter 47/72
5,184,750 A 2/1993 Moller
D349,451 S * 8/1994 Sagnard D9/703

5,464,150 A 11/1995 Porres Sanchez et al.
D373,081 S * 8/1996 Bridger D9/761
5,573,131 A 11/1996 Berjis
D376,311 S * 12/1996 Burton D9/761
5,720,429 A * 2/1998 Cordle 229/120.18
5,725,117 A 3/1998 Berjis
D405,689 S * 2/1999 Moon D9/433
6,060,097 A * 5/2000 Grigoryan 426/112
6,119,930 A 9/2000 Lunstra et al.
D436,312 S * 1/2001 Denbraver D9/712
D478,283 S * 8/2003 Shimakawa D9/713
6,634,547 B2 * 10/2003 Willis 229/405
D510,520 S * 10/2005 Butler et al. D9/430

(Continued)

FOREIGN PATENT DOCUMENTS

FR 2928820 9/2009

Primary Examiner — Derrick Holland

Assistant Examiner — Lauren Calve

(74) *Attorney, Agent, or Firm* — Pearne & Gordon LLP

(57) **CLAIM**

The ornamental design for container for food to be consumed on the move, as shown and described.

DESCRIPTION

FIG. 1 is a front view of a container for food to be consumed on the move, according to the present invention;

FIG. 2 is a left view thereof;

FIG. 3 is a back view thereof;

FIG. 4 is a right view thereof;

FIG. 5 is a top view thereof;

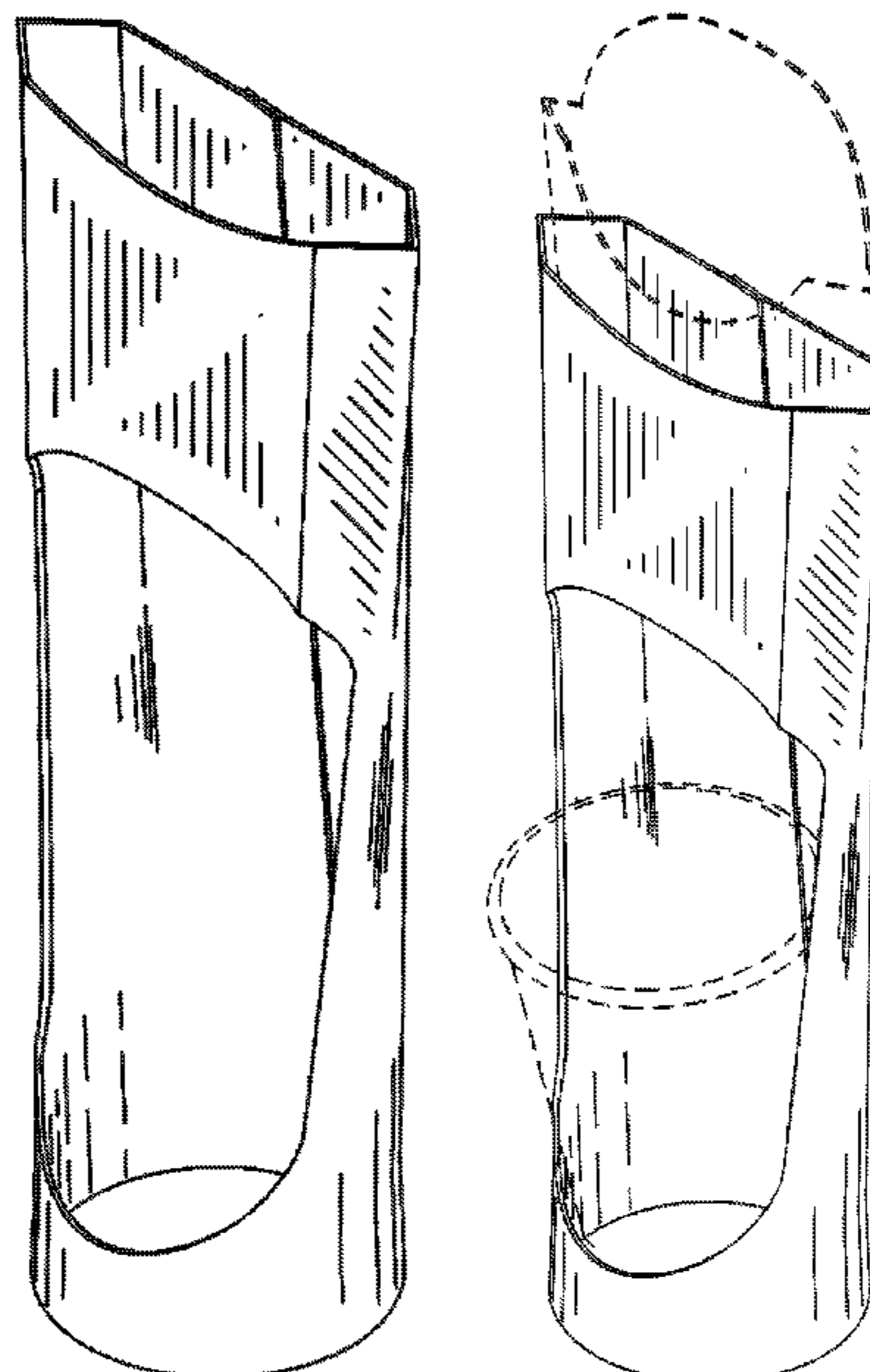
FIG. 6 is a bottom view thereof;

FIG. 7 is an axonometric view thereof; and,

FIG. 8 is an axonometric view thereof, shown in environmental use.

The broken lines shown represent unclaimed subject matter and form no part of the claimed design.

1 Claim, 8 Drawing Sheets



US D686,507 S

Page 2

U.S. PATENT DOCUMENTS

D523,744 S *	6/2006	Zeng	D9/430	2004/0084458 A1	5/2004	Krueger et al.	
D527,585 S *	9/2006	Welsh	D7/602	2005/0133580 A1 *	6/2005	Cai	229/400
D553,006 S *	10/2007	Pige	D9/702	2006/0118453 A1	6/2006	Hillebrecht et al.	
7,543,869 B2	6/2009	Davis et al.		2006/0261075 A1	11/2006	MacCarthy	
2003/0089725 A1	5/2003	Kang		2006/0266816 A1 *	11/2006	Voigt	229/400
2004/0040882 A1	3/2004	Hemingway et al.		2010/0102110 A1 *	4/2010	Learn	229/106

* cited by examiner

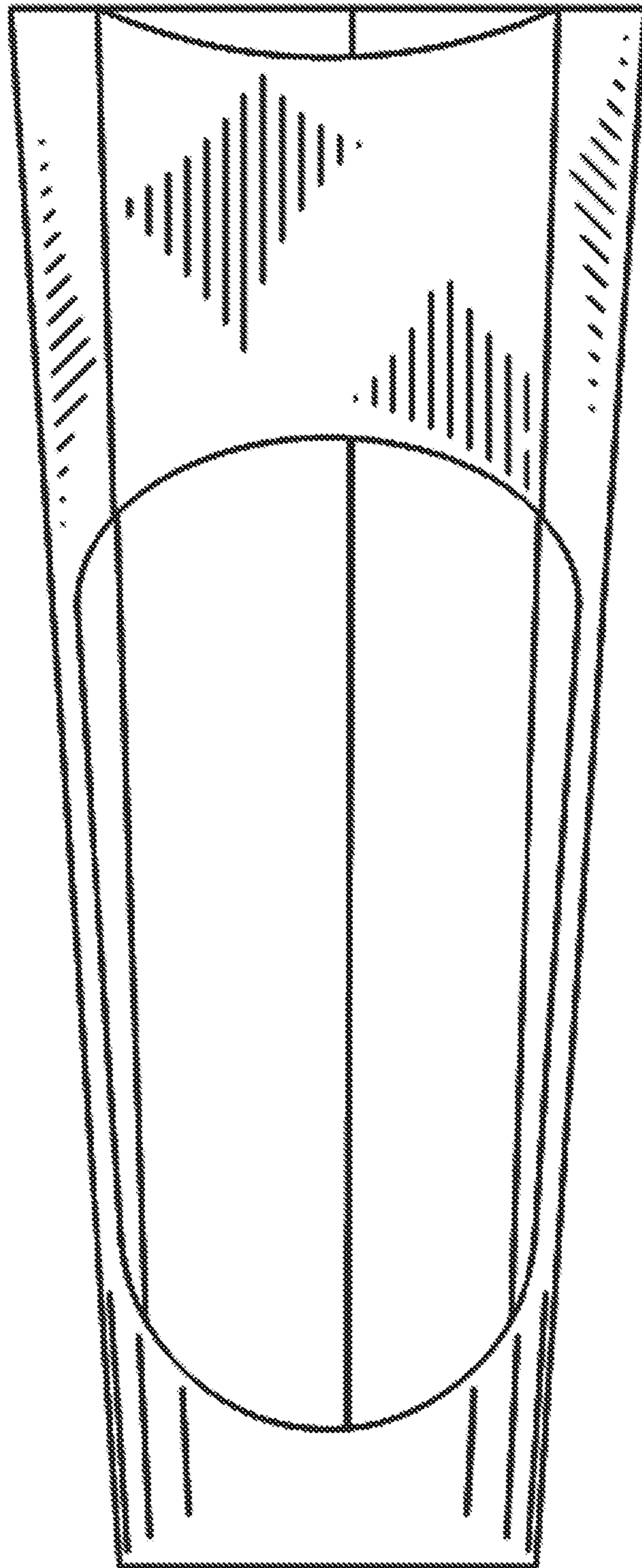


FIG. 1

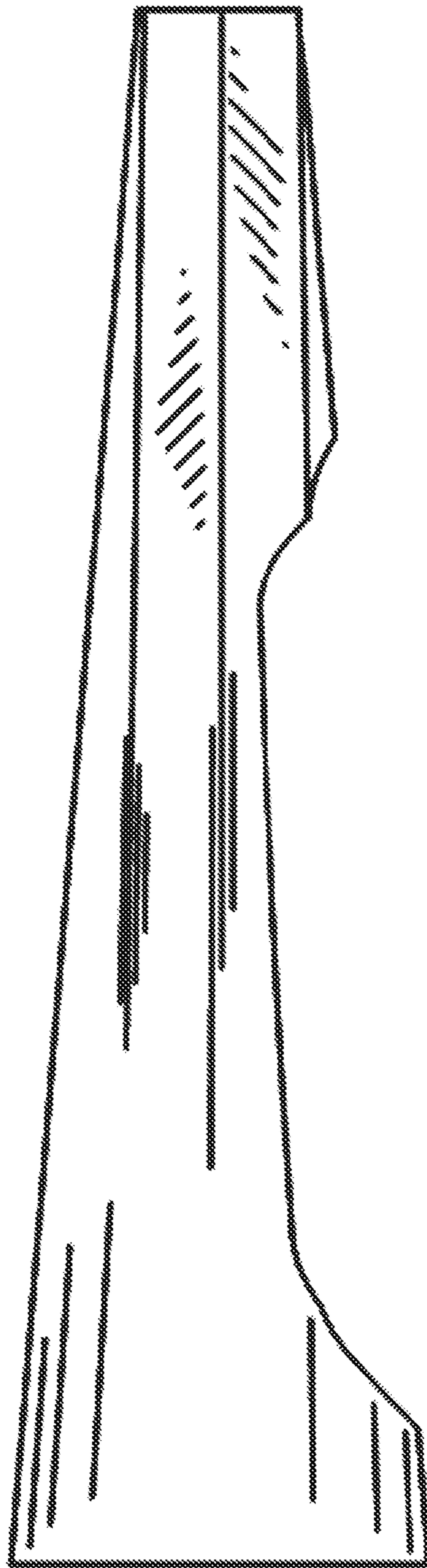


FIG. 2

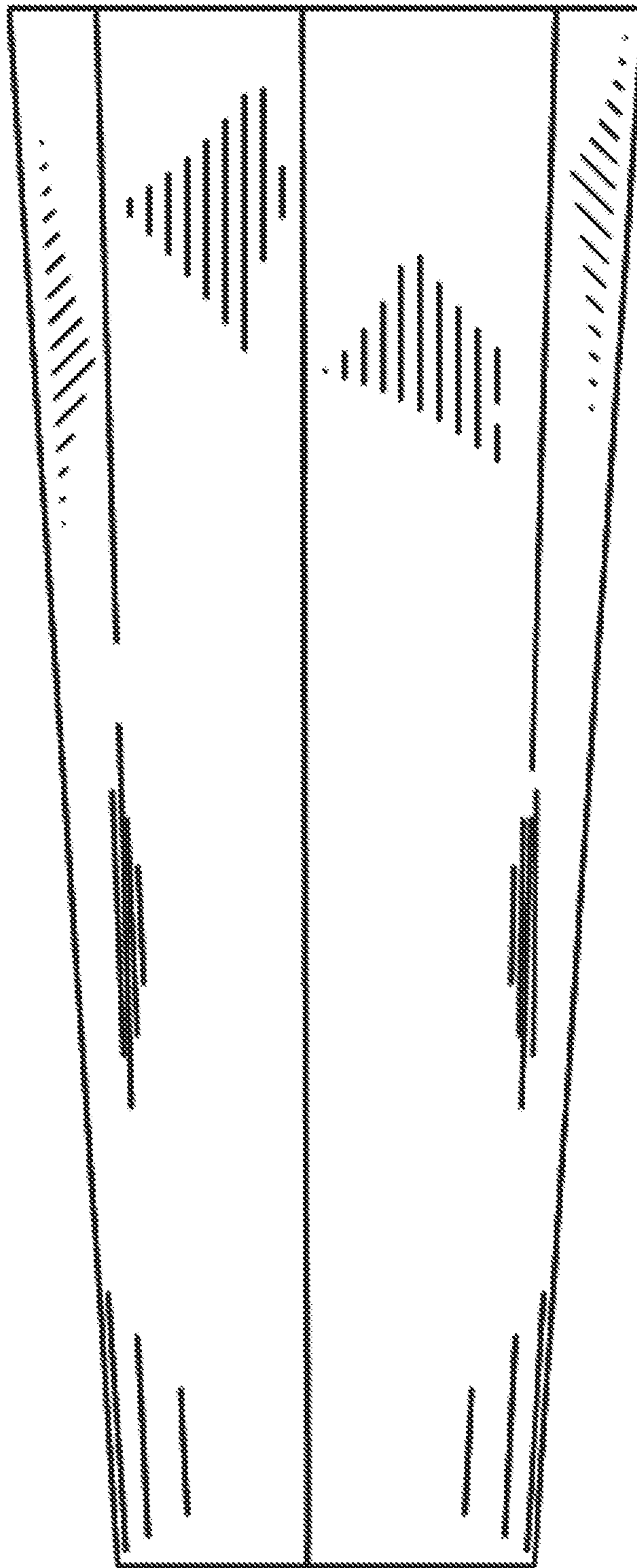


FIG. 3

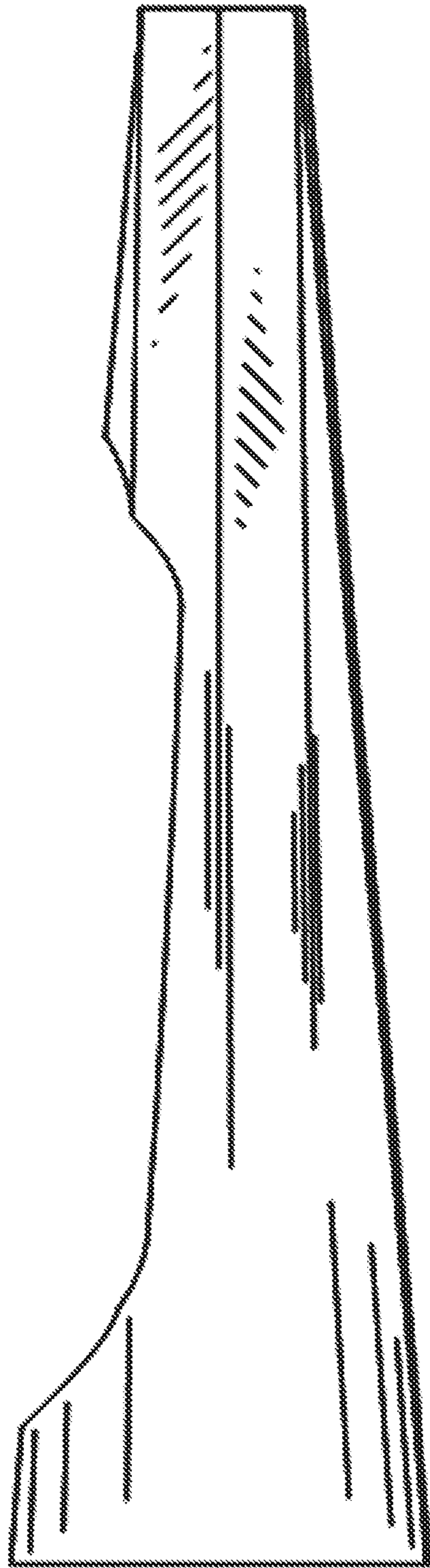


FIG. 4

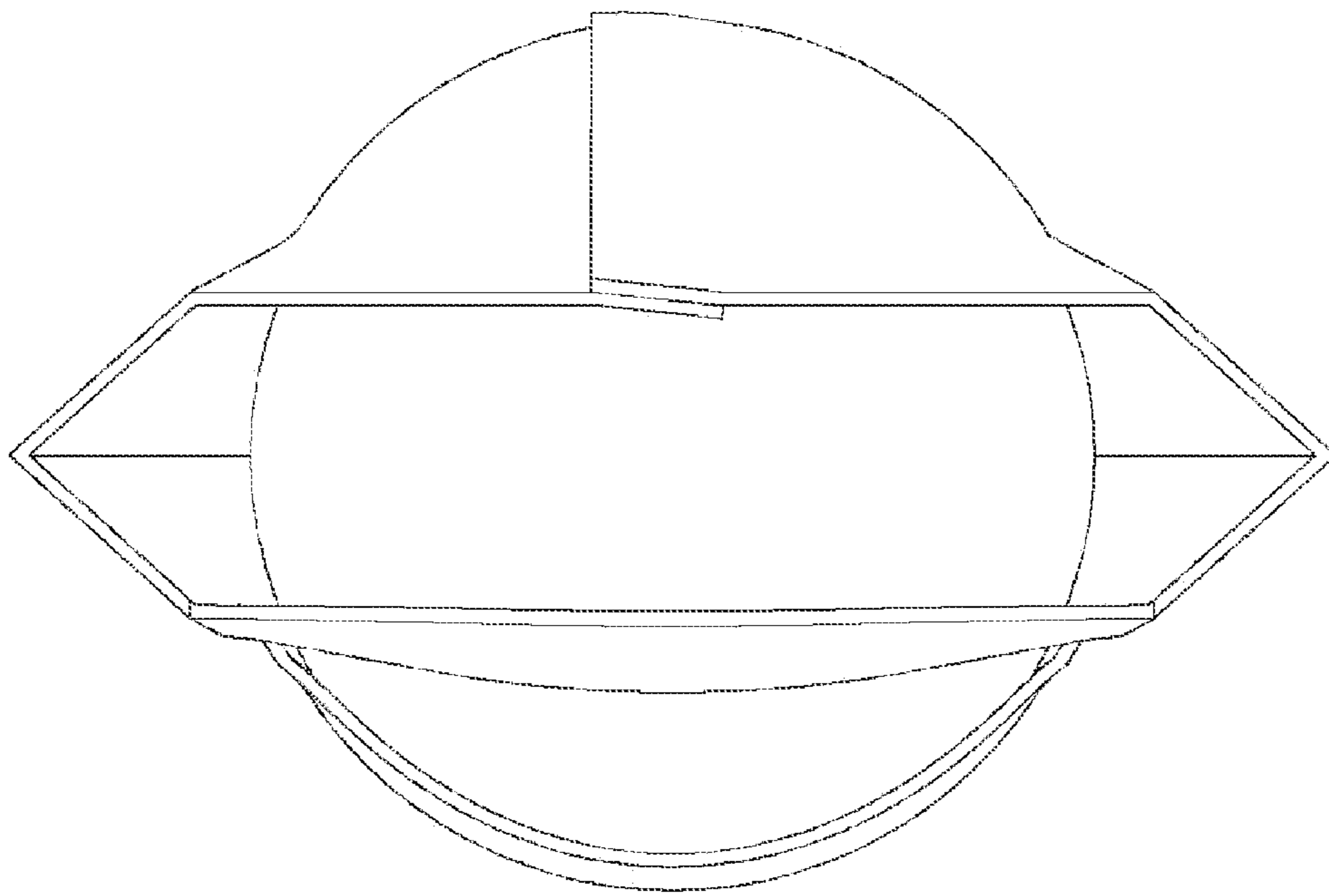


FIG. 5

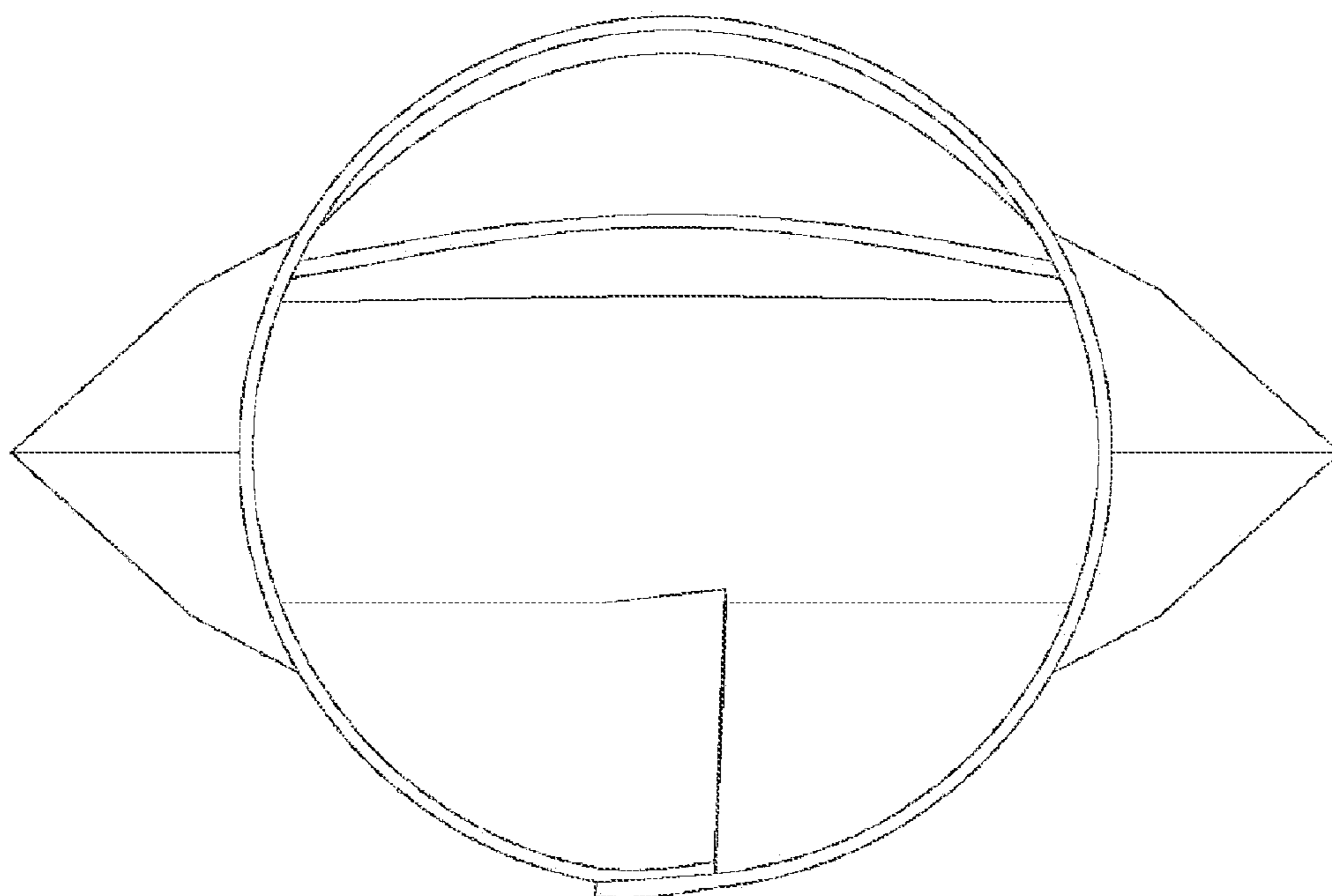


FIG. 6

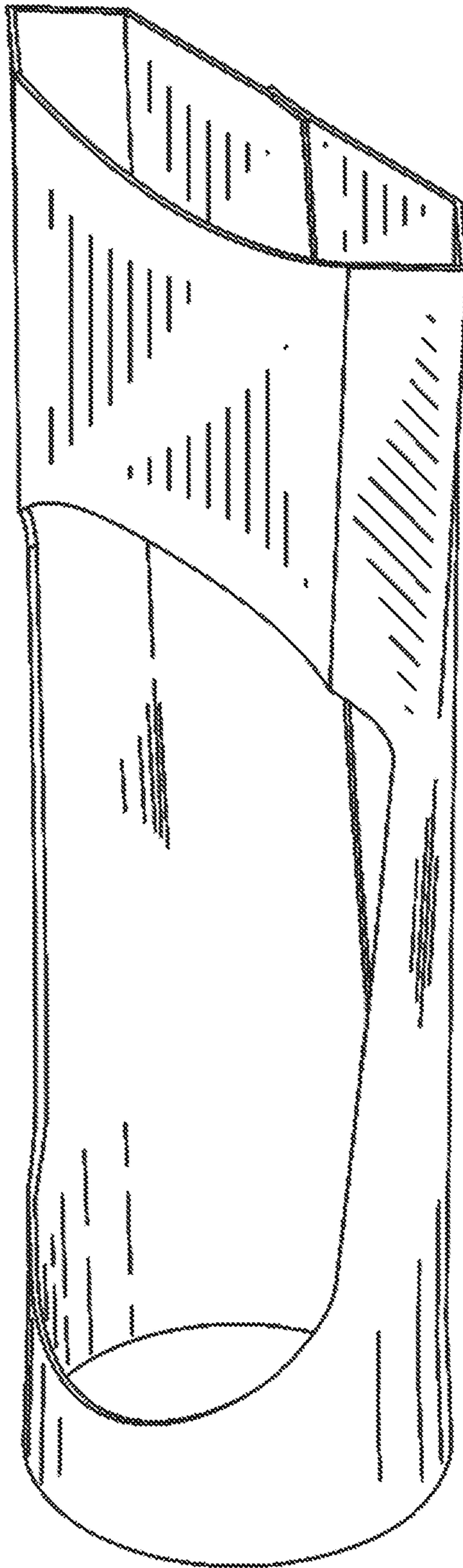


FIG. 7

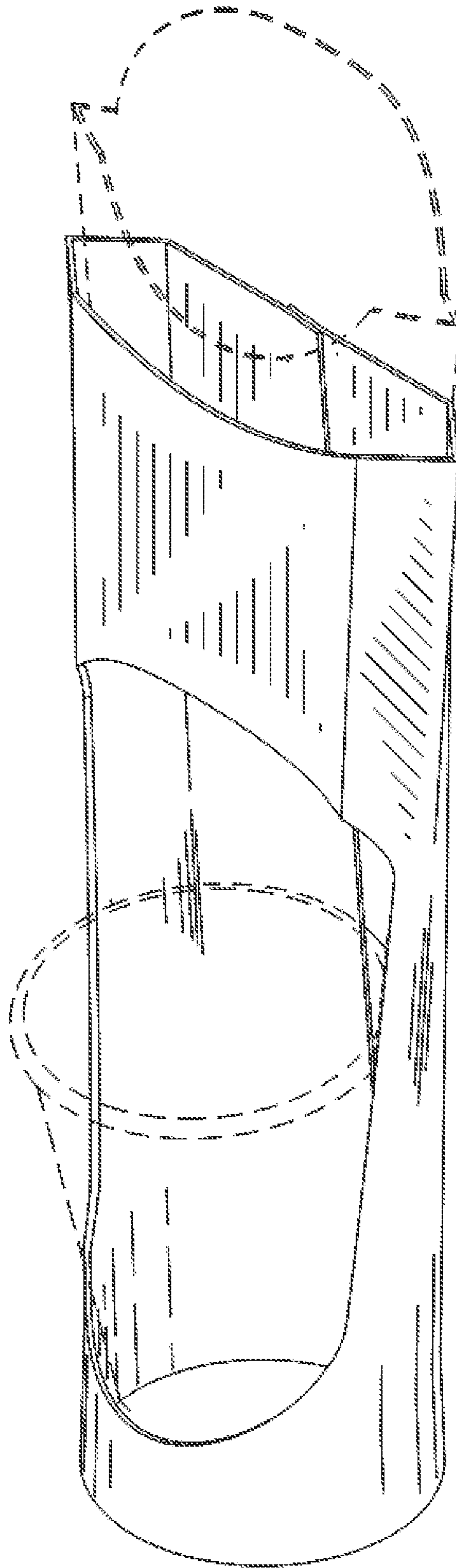


FIG. 8