



US00D686499S

(12) **United States Design Patent**
Wilmers et al.

(10) **Patent No.:** **US D686,499 S**
(45) **Date of Patent:** **** Jul. 23, 2013**

(54) **FOOD PACKAGING TRAY**
(75) Inventors: **Kimberly Ann Wilmers**, Twin Lake, MI (US); **Simon Alexander Hutschenreuter**, Grand Rapids, MI (US)

(73) Assignee: **Société des Produits Nestlé S.A.**, Vevey (CH)

(**) Term: **14 Years**

(21) Appl. No.: **29/408,925**

(22) Filed: **Dec. 19, 2011**

(51) **LOC (9) Cl.** **09-07**

(52) **U.S. Cl.**
USPC **D9/456**

(58) **Field of Classification Search**
USPC D9/780, 772, 767, 763, 454, 438, D9/434.428, 425, 432; D7/396.2, 392.1, D7/627, 605, 553.2, 541; 220/713, 711, 703, 220/377, 273, 270, 256.1, 254.1, 906, 367.1, 220/366.1, 276, 272, 271, 265; 229/406, 229/123.2

See application file for complete search history.

(56) **References Cited**

U.S. PATENT DOCUMENTS

D204,147 S *	3/1966	Ward	D7/541
D219,263 S	11/1970	Castelli et al.		
3,813,025 A *	5/1974	Solomon	229/406
D232,302 S	8/1974	Lazura		
D332,393 S	1/1993	Boone et al.		
D367,172 S *	2/1996	Brightbill et al.	D3/310
D417,366 S	12/1999	Obra		

D484,364 S	12/2003	Bailey et al.		
D596,903 S	7/2009	Willis et al.		
D633,341 S	3/2011	Smyers		
D643,311 S *	8/2011	Meyers	D9/761
2012/0325831 A1 *	12/2012	Wilmers et al.	220/660

* cited by examiner

Primary Examiner — Susan Bennett Hattan

(74) *Attorney, Agent, or Firm* — Gary M. Lobel

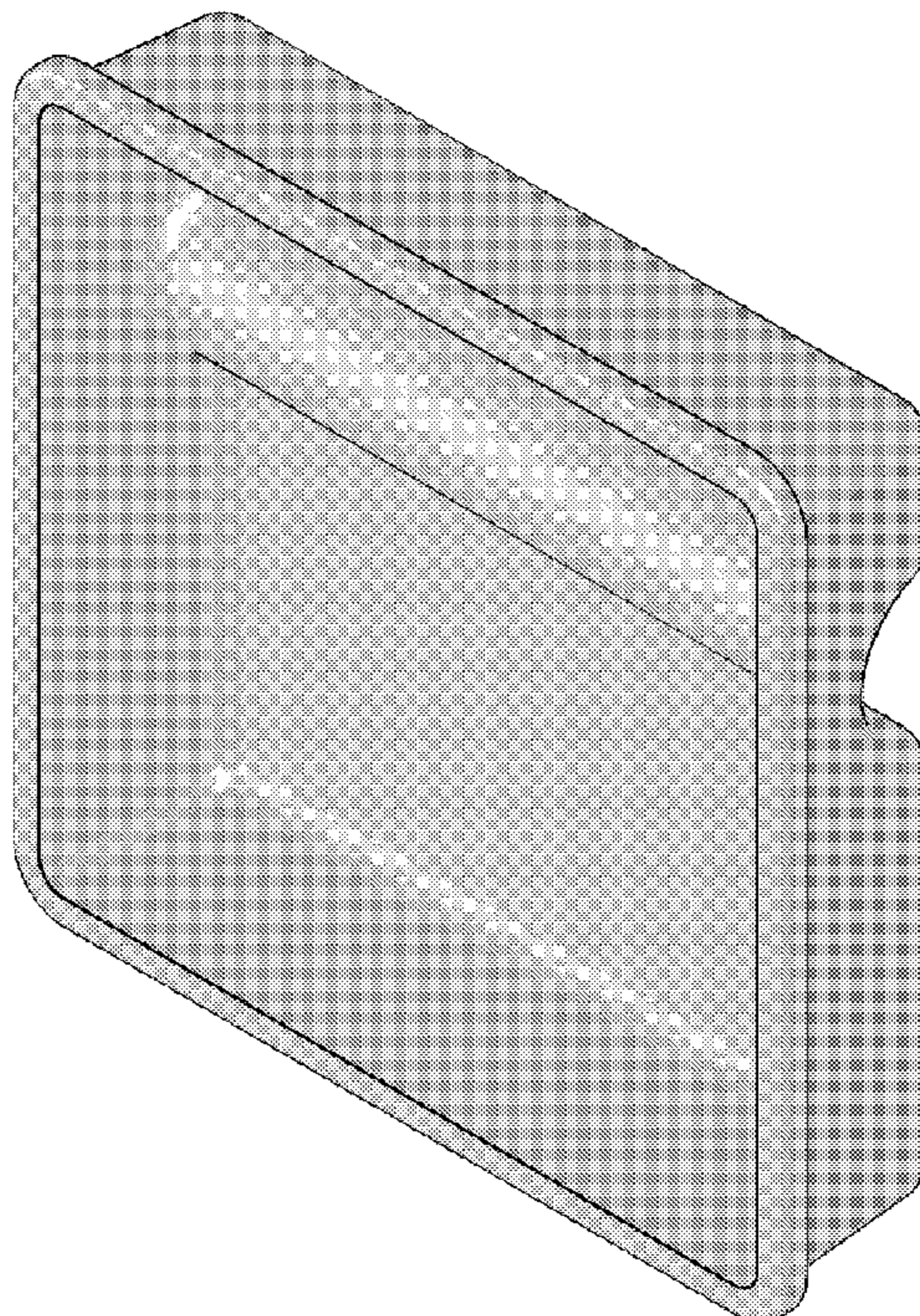
(57) **CLAIM**

The ornamental design for a food packaging tray, as shown and described.

DESCRIPTION

FIG. 1 is a front elevation view showing our new design for a food packaging tray;
 FIG. 2 is a rear elevation view of the food packaging tray design;
 FIG. 3 is a right side elevation view of the food packaging tray design, the left elevation view being a mirror image thereof;
 FIG. 4 is a top view of the food packaging tray design, the bottom view being a mirror image thereof;
 FIG. 5 is a perspective view of the food packaging tray design, showing the front, top, and right sides thereof;
 FIG. 6 is a perspective view of the food packaging tray design, showing the front, right, and bottom sides thereof;
 FIG. 7 is a perspective view of the food packaging tray design, showing the rear, right, and top sides thereof; and,
 FIG. 8 is a perspective view of the food packaging tray design, showing the rear, left, and bottom sides thereof.

1 Claim, 7 Drawing Sheets



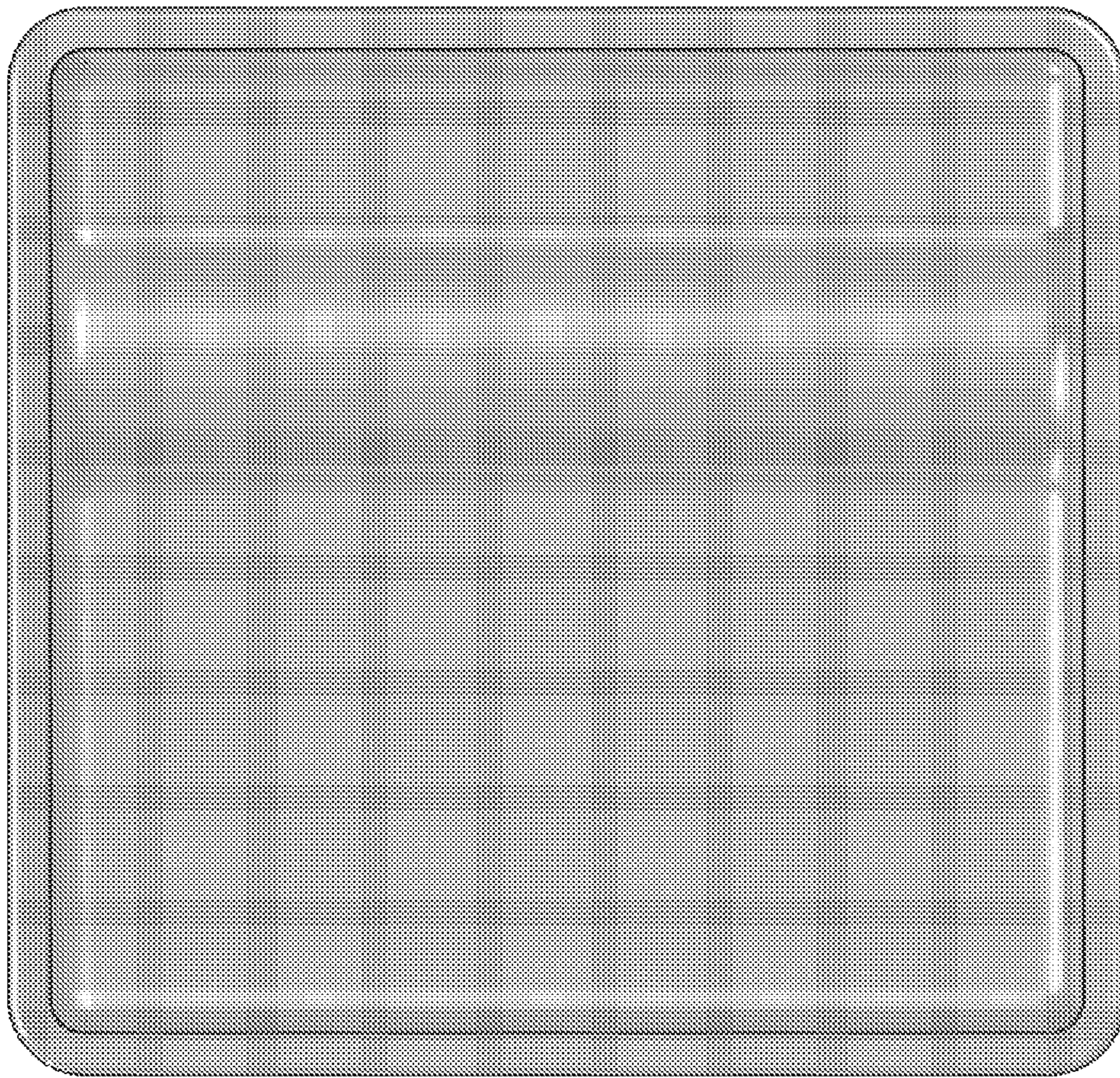


FIG. 1

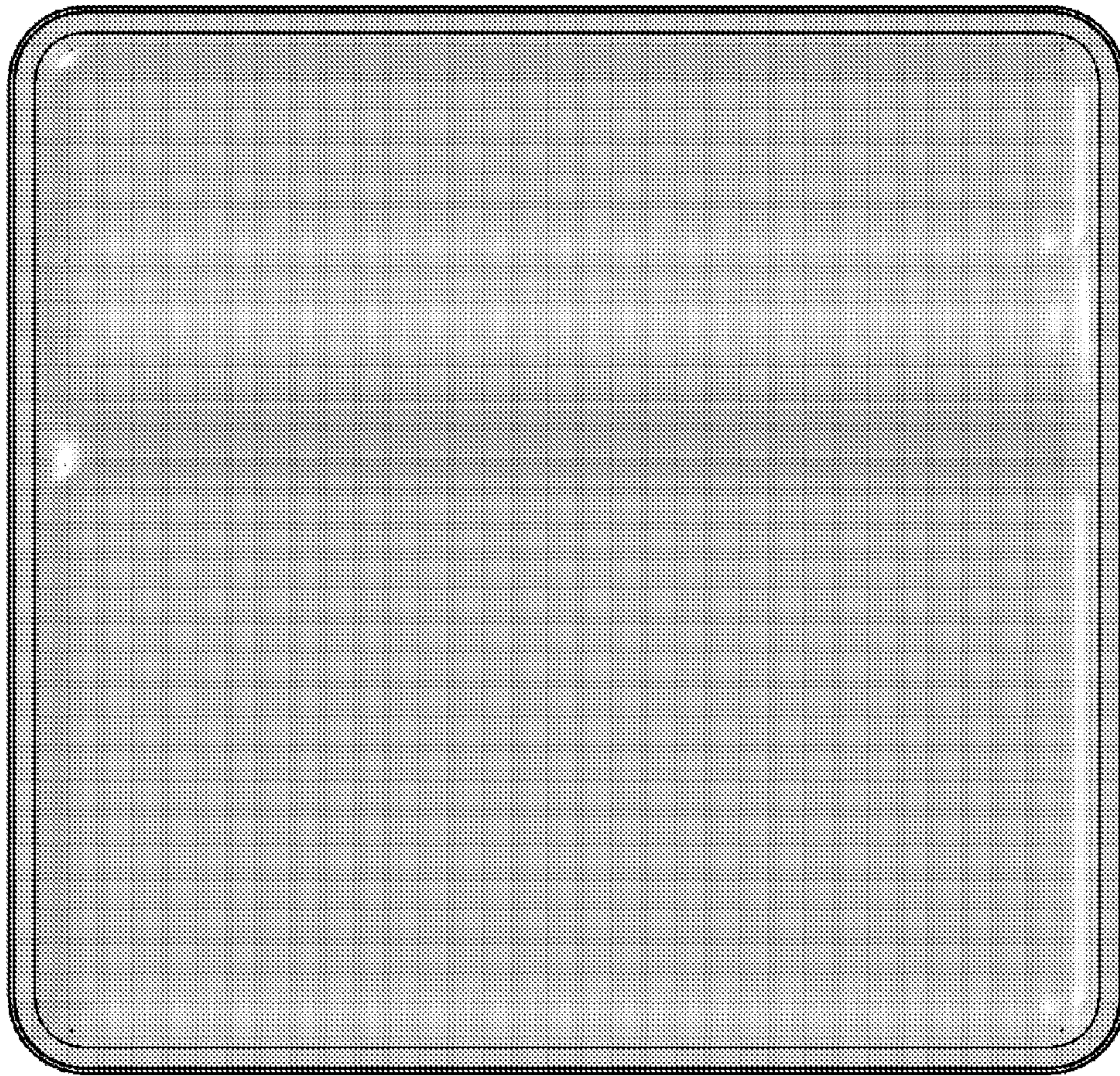


FIG. 2

FIG. 3

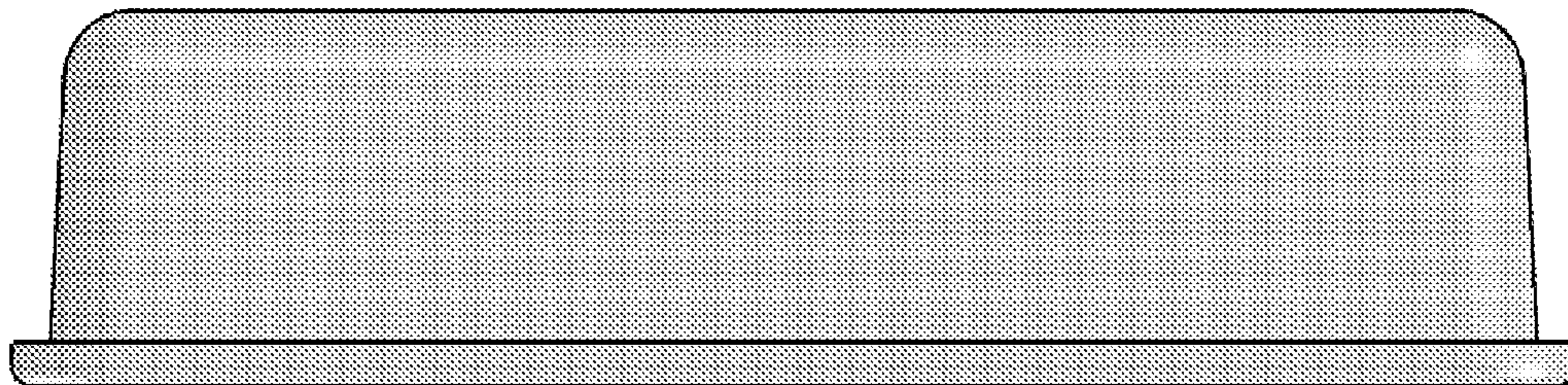
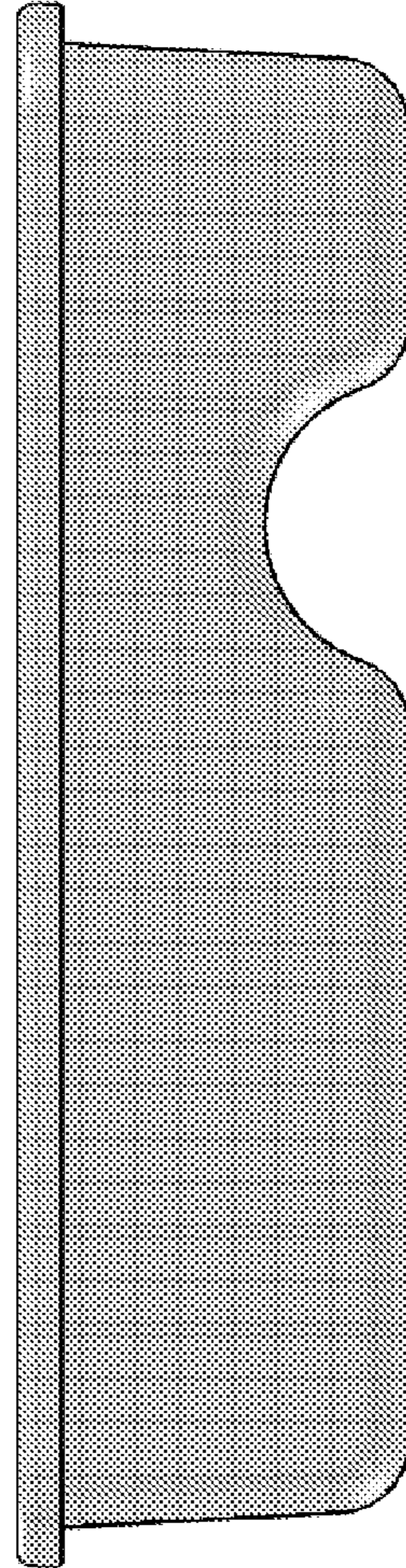


FIG. 4

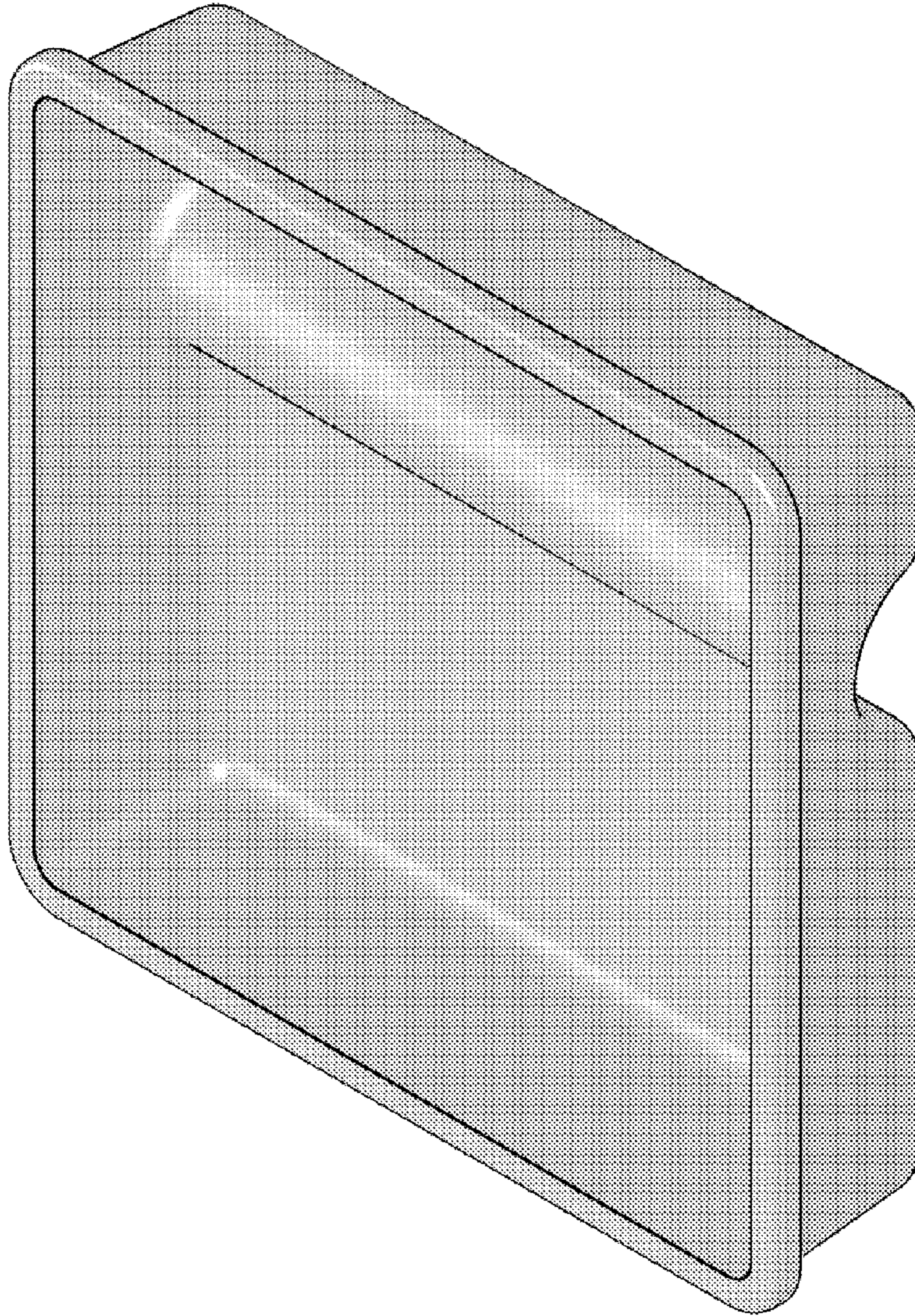


FIG. 5

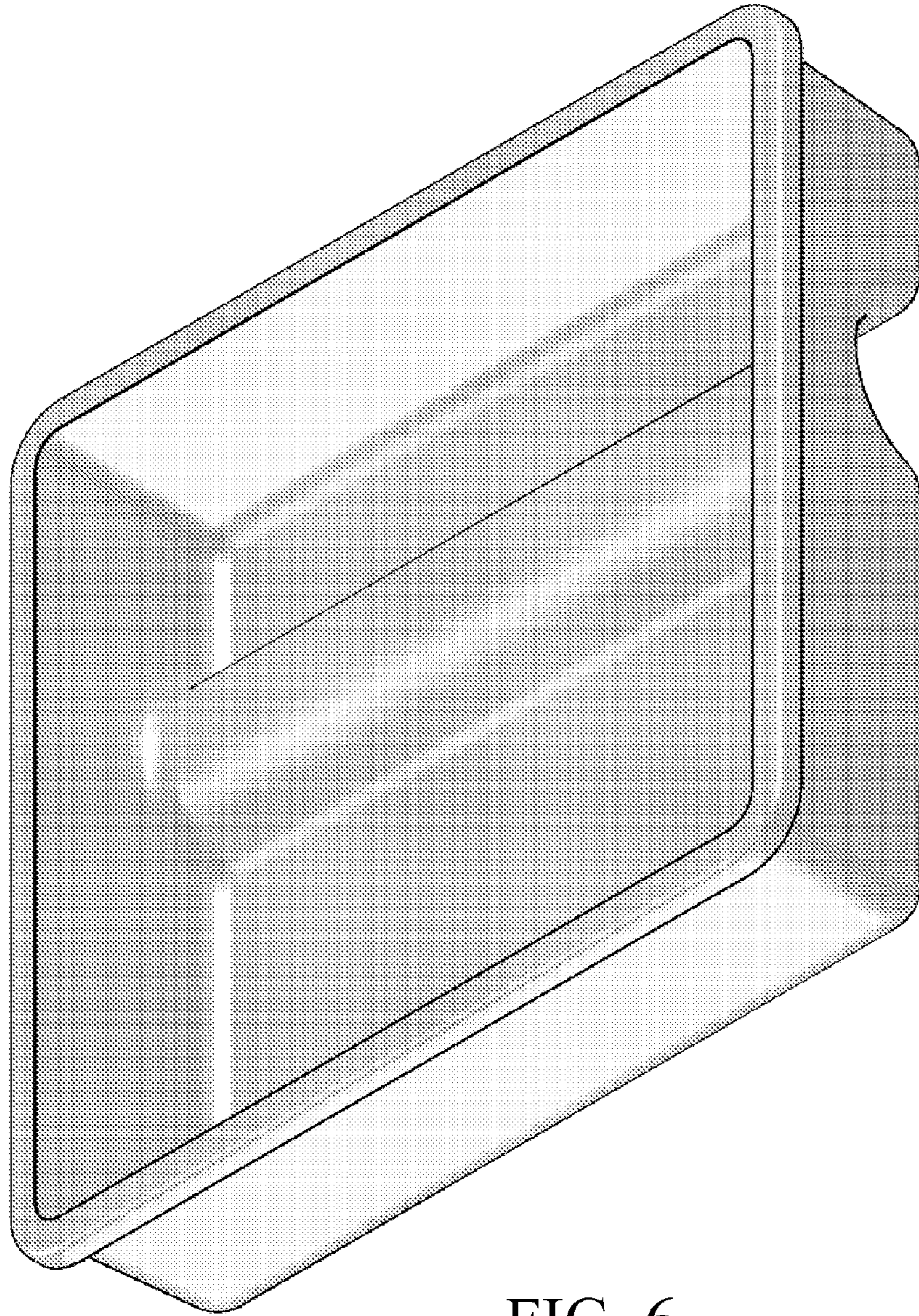


FIG. 6

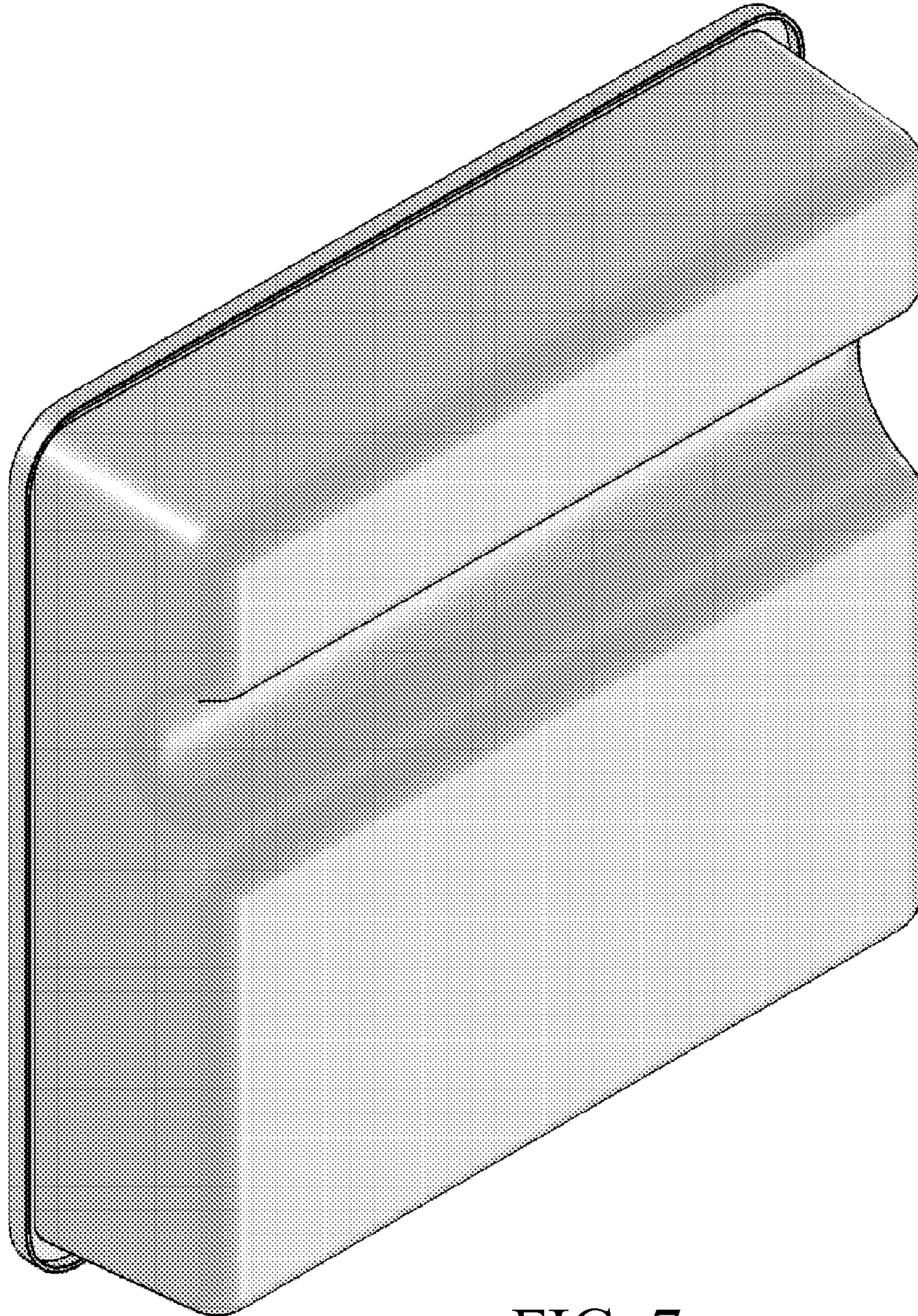


FIG. 7

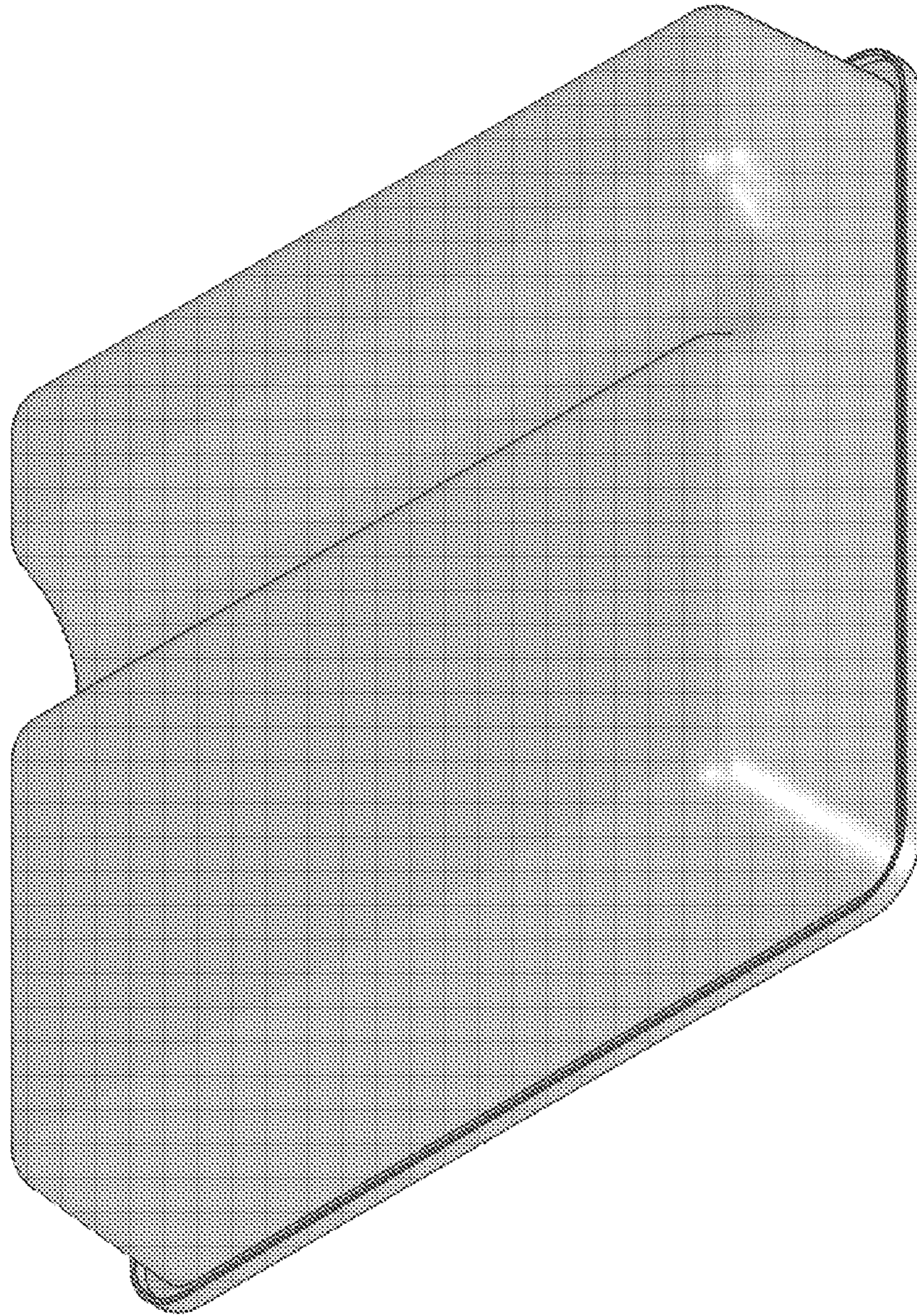


FIG. 8