



US00D686498S

(12) **United States Design Patent**
Rego

(10) **Patent No.:** **US D686,498 S**
(45) **Date of Patent:** **** Jul. 23, 2013**

(54) **PACKAGING FRAME**

(75) Inventor: **Luis Felipe Rego**, Austin, TX (US)

(73) Assignee: **Power Retailing Group**, Mexico D.F. (MX)

(**) Term: **14 Years**

(21) Appl. No.: **29/407,836**

(22) Filed: **Dec. 2, 2011**

(30) **Foreign Application Priority Data**

Aug. 24, 2011 (MX) MX/f/2011/002801

(51) **LOC (9) Cl.** **09-07**

(52) **U.S. Cl.**
USPC **D9/456**

(58) **Field of Classification Search**
USPC D9/432, 433, 456; D7/323, 391,
D7/392.1, 541, 553.1, 553.2, 554.3, 601;
D3/272, 313, 318, 319; 219/730; 426/107,
426/118

See application file for complete search history.

(56) **References Cited**

U.S. PATENT DOCUMENTS

D296,747 S * 7/1988 Johnson D7/554.3
D423,359 S * 4/2000 MacLean et al. D9/456
D519,838 S * 5/2006 Brooks D9/456
D633,388 S * 3/2011 Andre et al. D9/456

* cited by examiner

Primary Examiner — Susan Bennett Hattan

(74) *Attorney, Agent, or Firm* — Ladas & Parry LLP

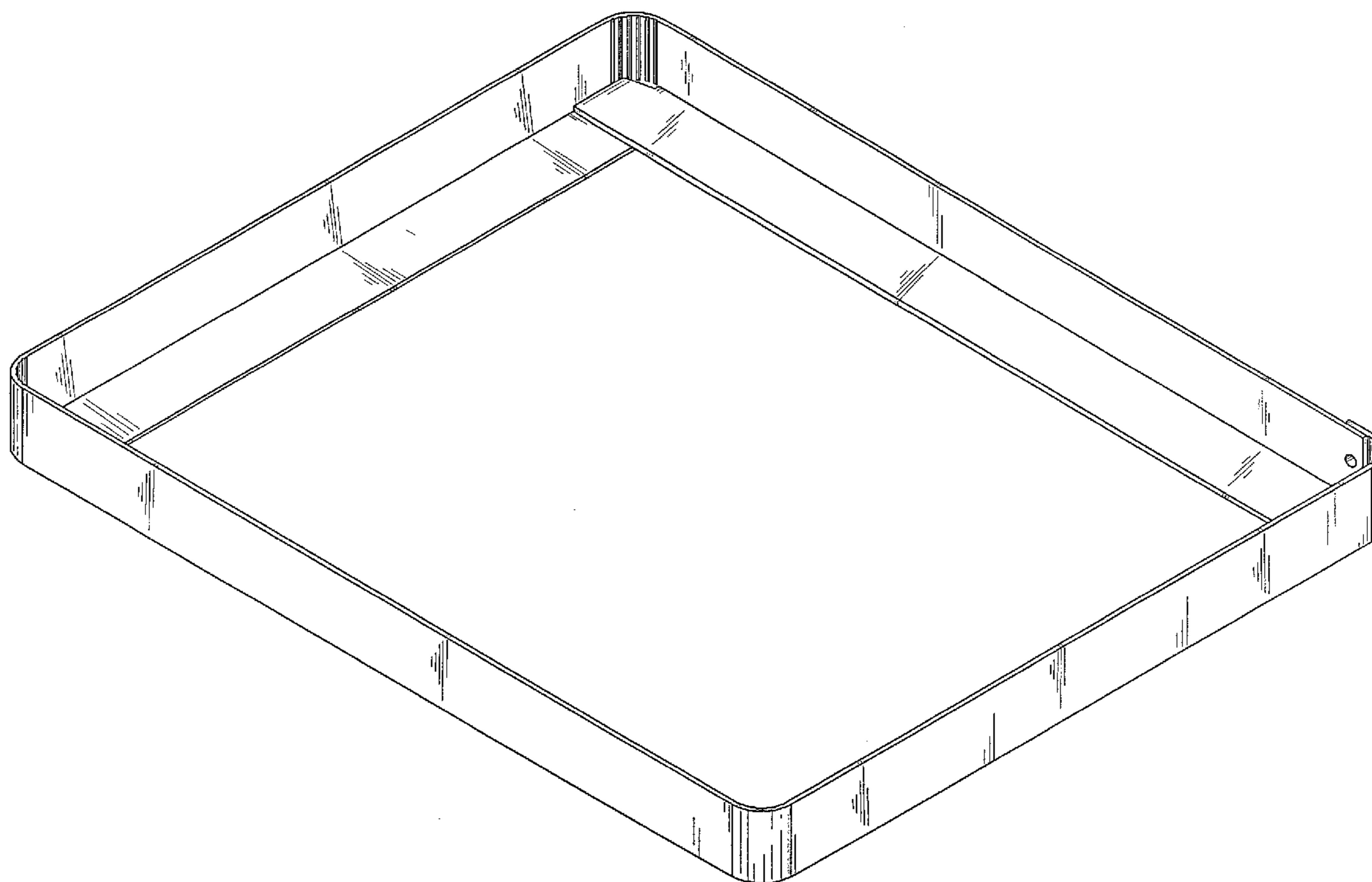
(57) **CLAIM**

The ornamental design for a packaging frame, as shown and described.

DESCRIPTION

FIG. 1 is a view from above to the front and to the left of the packaging frame which is the subject of my new design; FIG. 2 is a top plan view thereof; FIG. 3 is a bottom plan view thereof; FIG. 4 is a rear elevational view thereof; FIG. 5 is a right side elevational view thereof; FIG. 6 is a front elevational view thereof; FIG. 7 is a left side elevational view thereof; and, FIG. 8 is a view detailing the appearance of the undulations at each interior corner.

1 Claim, 8 Drawing Sheets



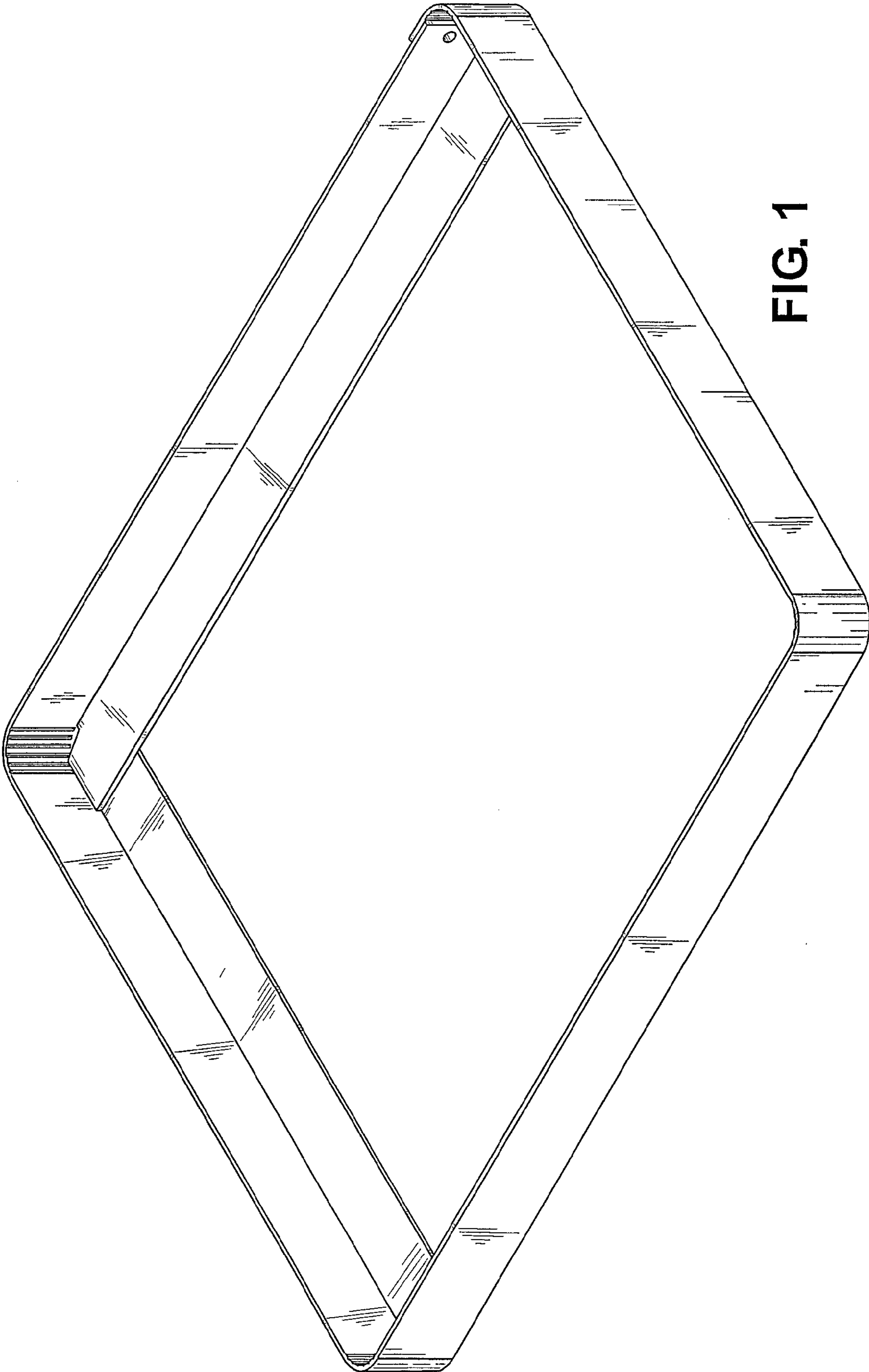


FIG. 1

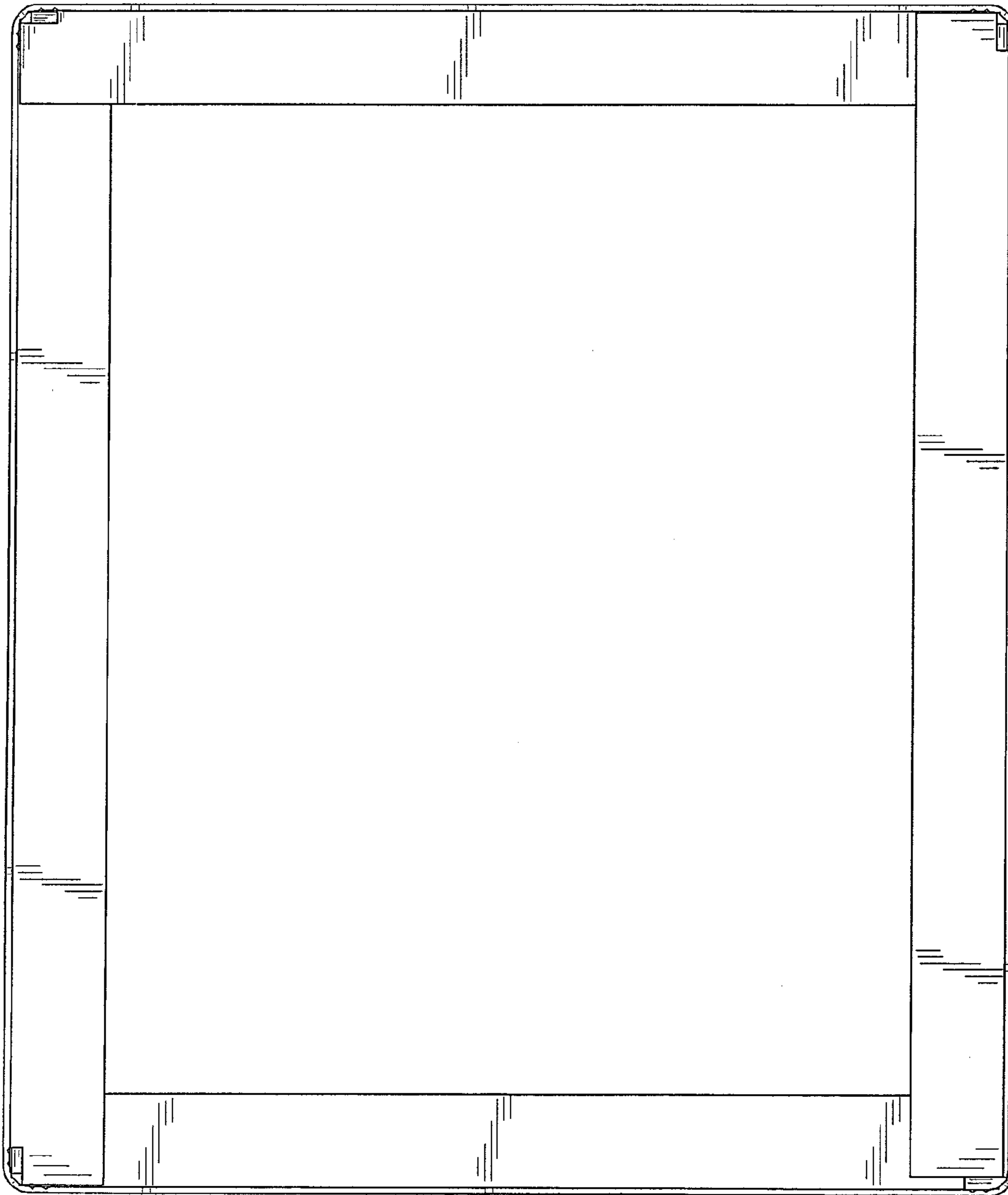


FIG. 2

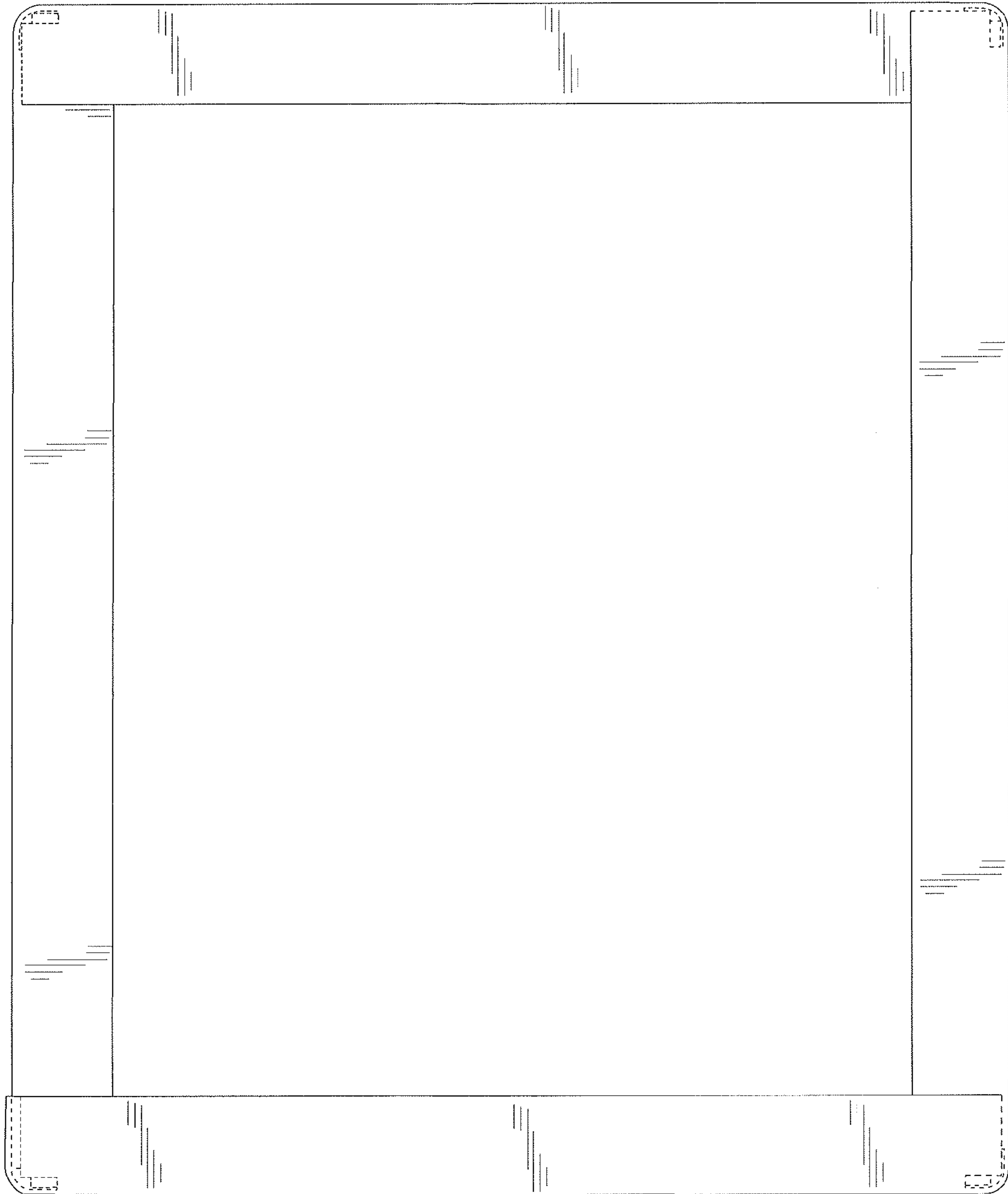


FIG. 3

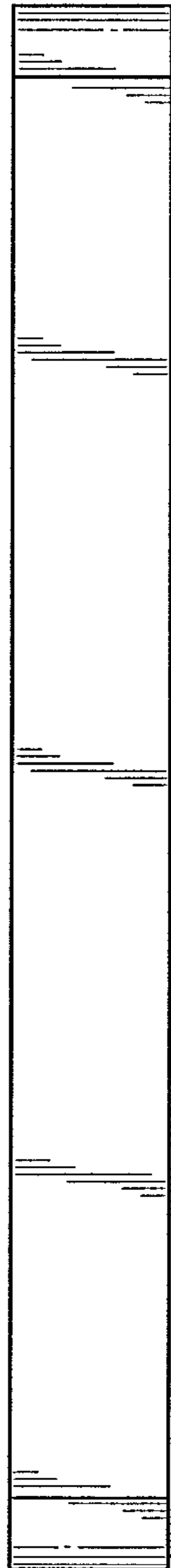


FIG. 4

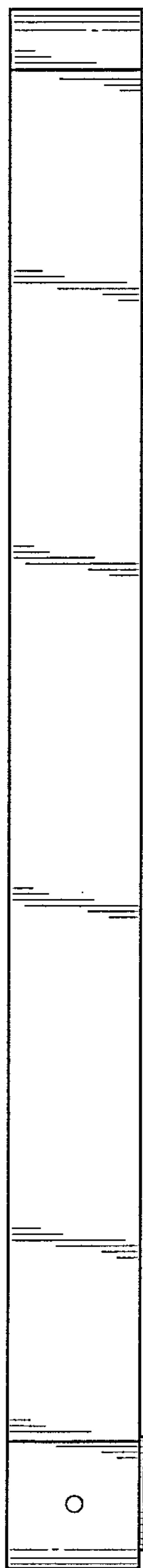


FIG. 5

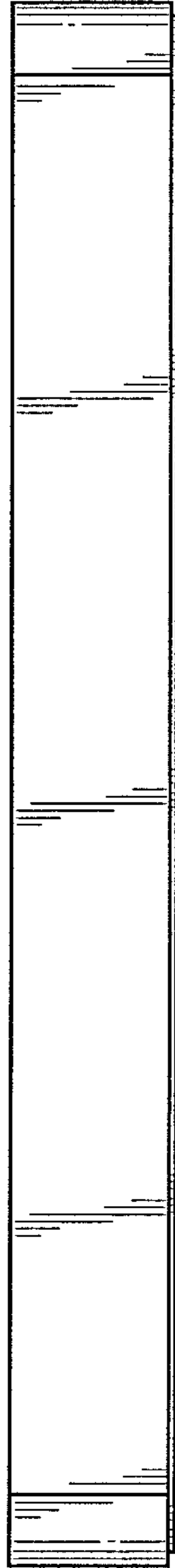


FIG. 6

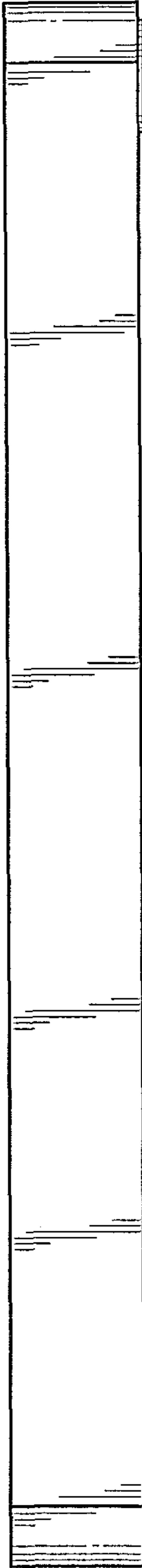


FIG. 7

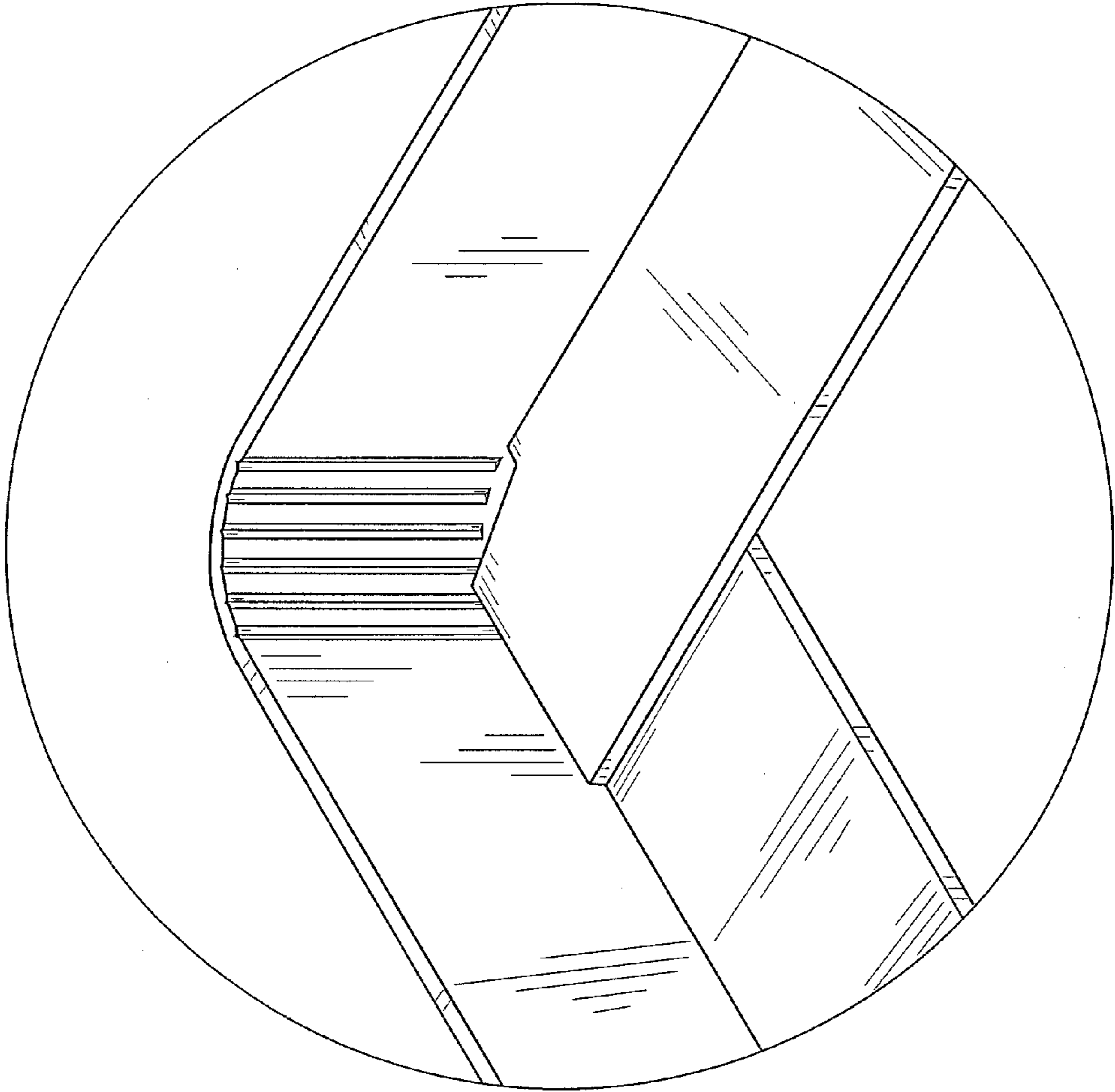


FIG. 8