



US00D686496S

(12) **United States Design Patent**
Sträuli

(10) **Patent No.:** **US D686,496 S**

(45) **Date of Patent:** **** Jul. 23, 2013**

(54) **CAPSULE**

(76) Inventor: **Urs Sträuli**, Stettfurt (CH)

(**) Term: **14 Years**

(21) Appl. No.: **29/411,098**

(22) Filed: **Jan. 17, 2012**

(30) **Foreign Application Priority Data**

Jul. 19, 2011 (EM) 001287809

(51) **LOC (9) Cl.** **09-07**

(52) **U.S. Cl.**

USPC **D9/439**; D9/434; D9/454

(58) **Field of Classification Search**

USPC D9/453, 452, 451, 443, 439, 432,
D9/420; D7/628, 392.1; D24/115; D12/197;
D11/157; 229/125.04, 125.09, 117.3; 222/498,
222/481; 220/786, 269-270, 254.1, 228;
215/355-364, 247, 235; 206/423

See application file for complete search history.

(56) **References Cited**

U.S. PATENT DOCUMENTS

D136,002 S * 7/1943 Mas D9/439
D240,022 S * 5/1976 Laurizio D9/439
D352,209 S * 11/1994 Cousins et al. D7/612

* cited by examiner

Primary Examiner — Susan Bennett Hattan

(74) *Attorney, Agent, or Firm* — Alston & Bird LLP

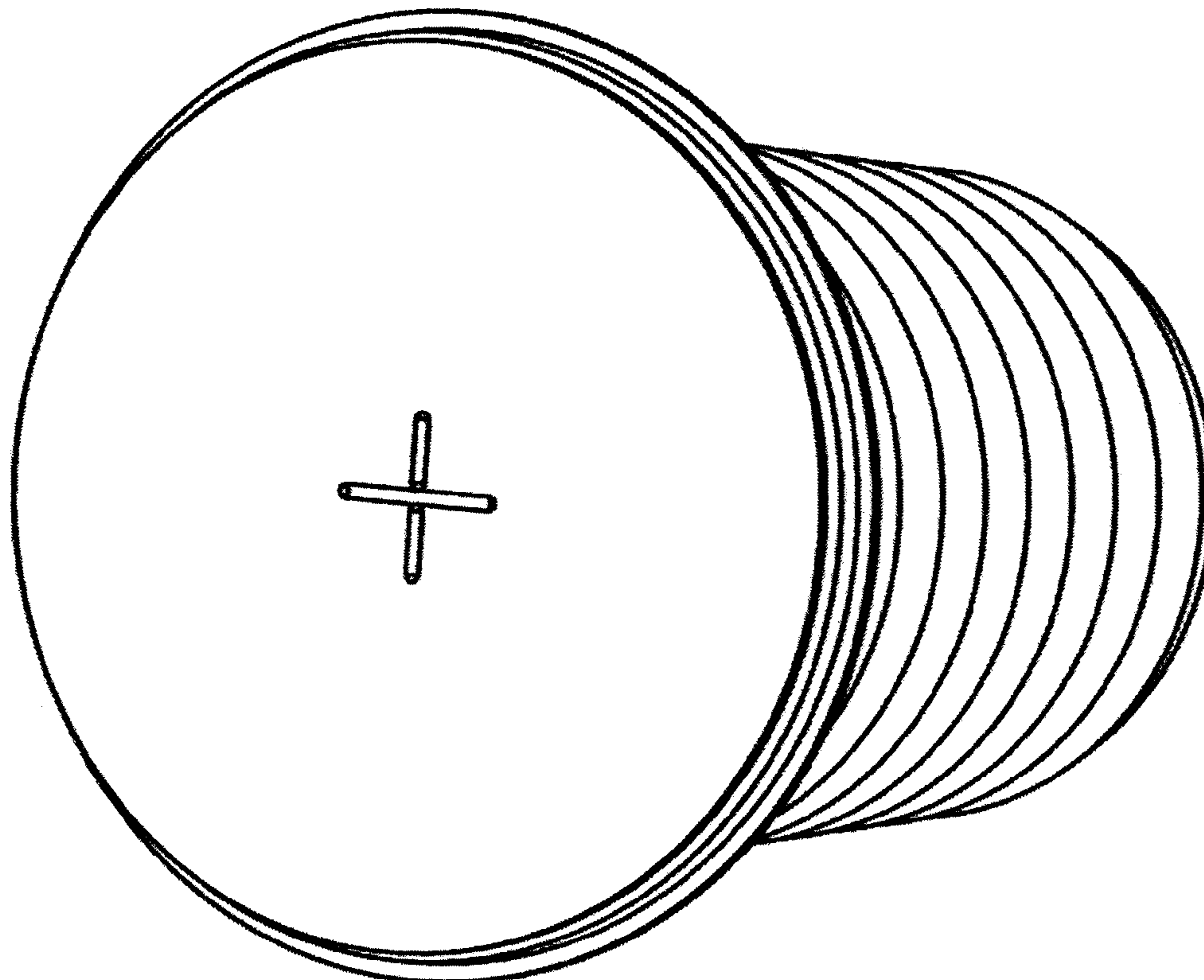
(57) **CLAIM**

I claim the ornamental design for capsule, as shown and described.

DESCRIPTION

FIG. 1 is a top side perspective view of a capsule showing my new design;
FIG. 2 is a bottom side perspective view thereof;
FIG. 3 is a side elevation view thereof;
FIG. 4 is a perspective view of another embodiment of a capsule showing my new design;
FIG. 5 is a bottom side perspective view thereof;
FIG. 6 is a side elevation view thereof;
FIG. 7 is a perspective view of another embodiment of a capsule showing my new design;
FIG. 8 is a bottom side perspective view thereof; and,
FIG. 9 is a side elevation view thereof.

1 Claim, 9 Drawing Sheets



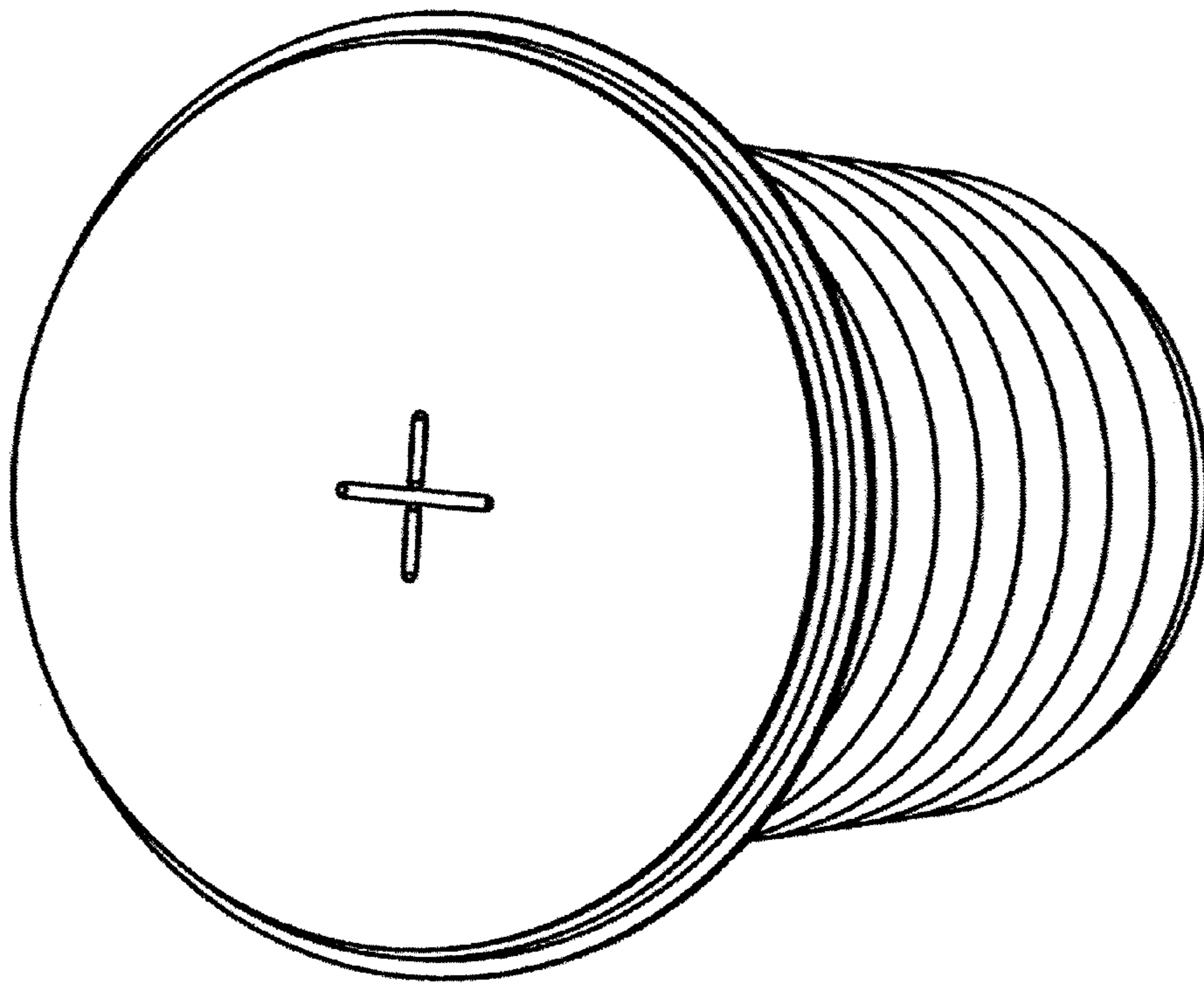


FIG. 1

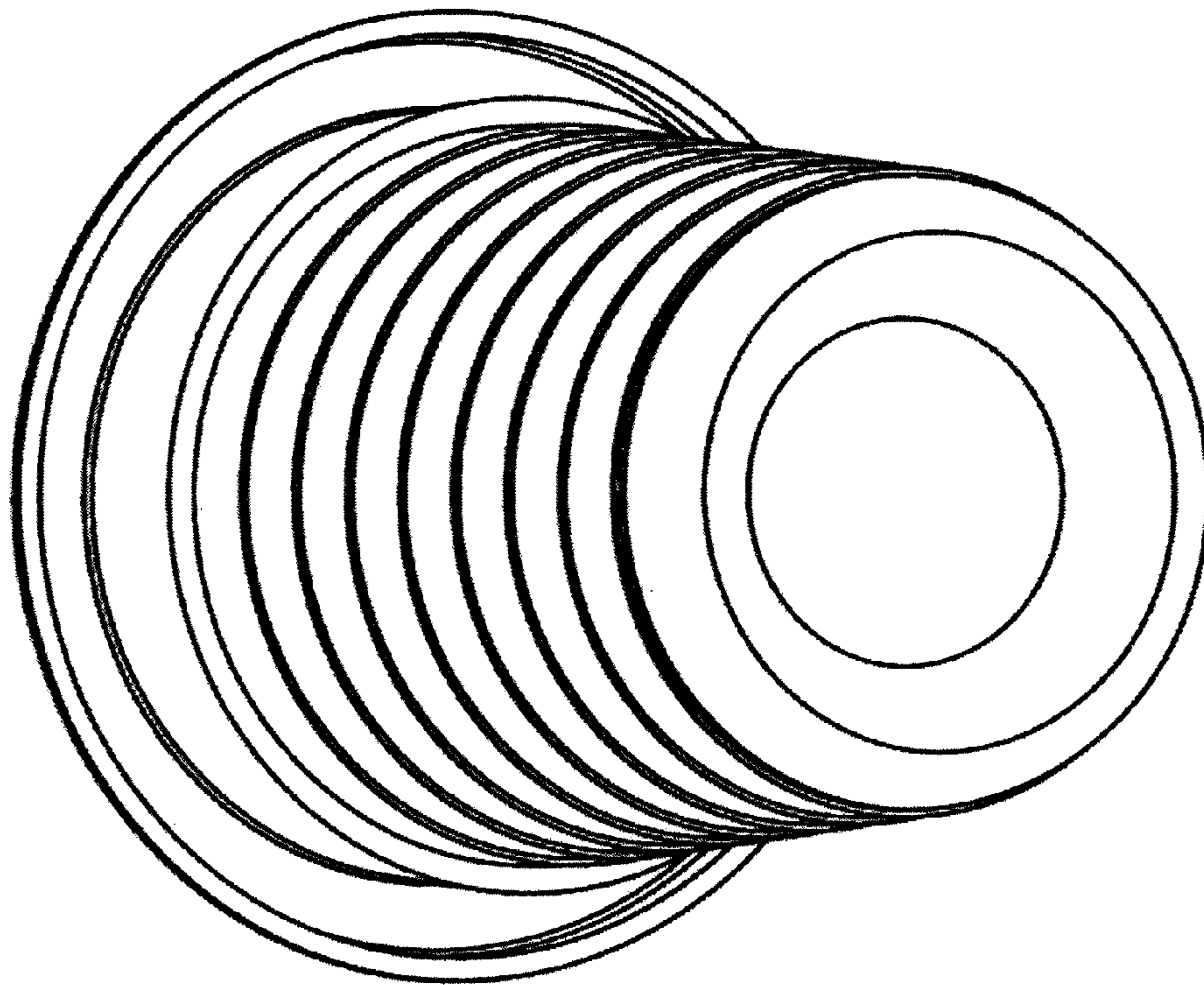


FIG. 2

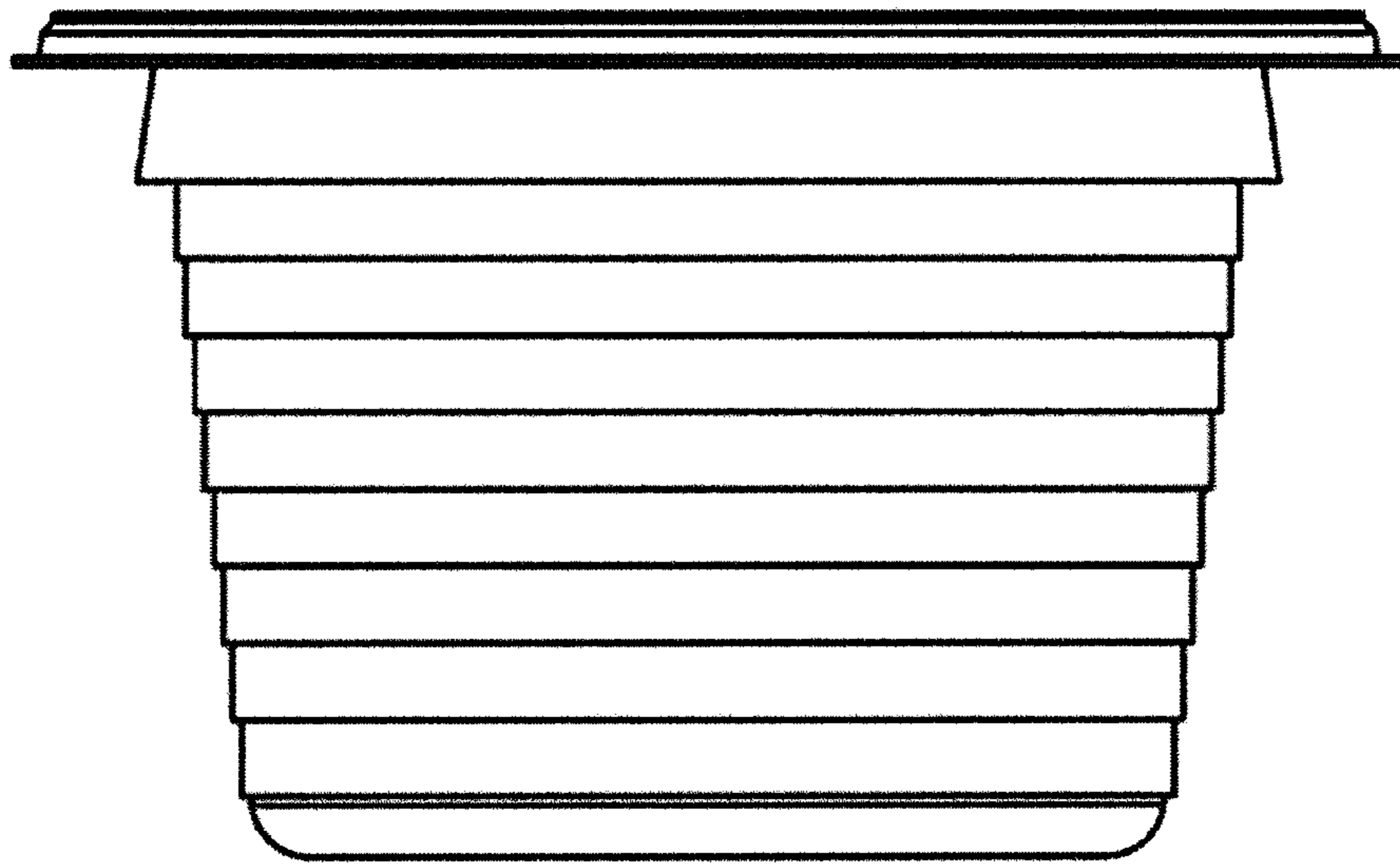


FIG. 3

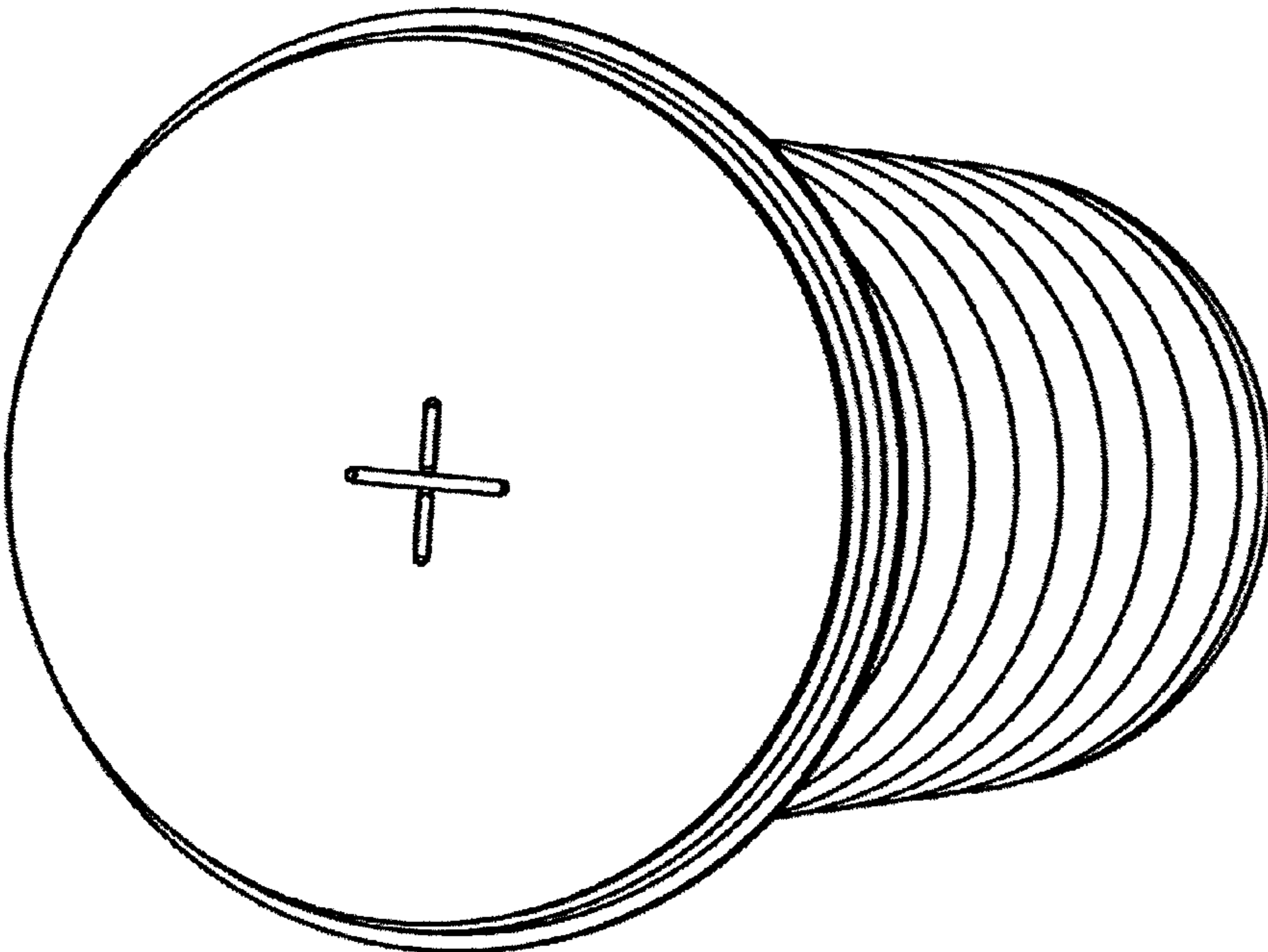


FIG. 4

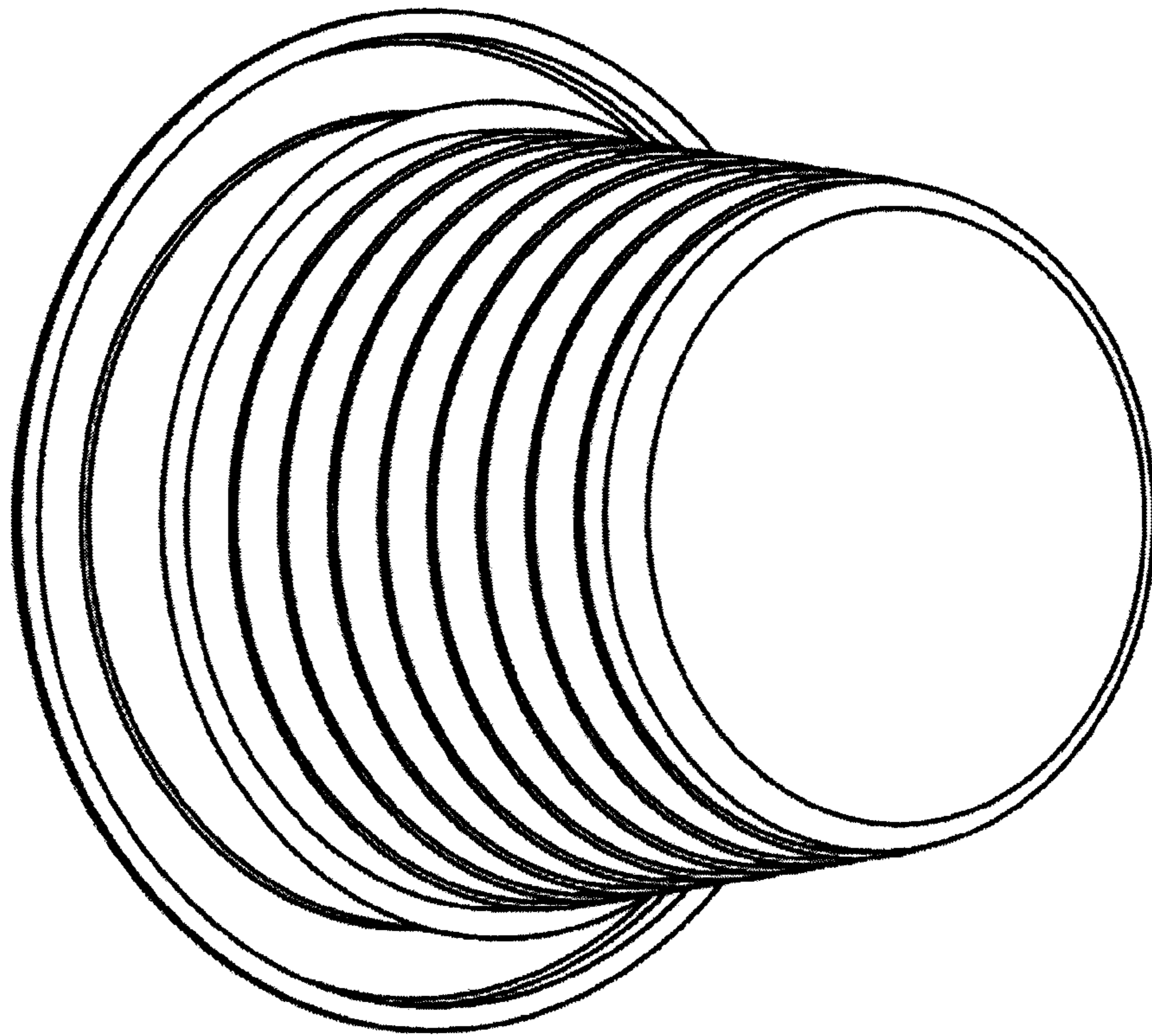


FIG. 5

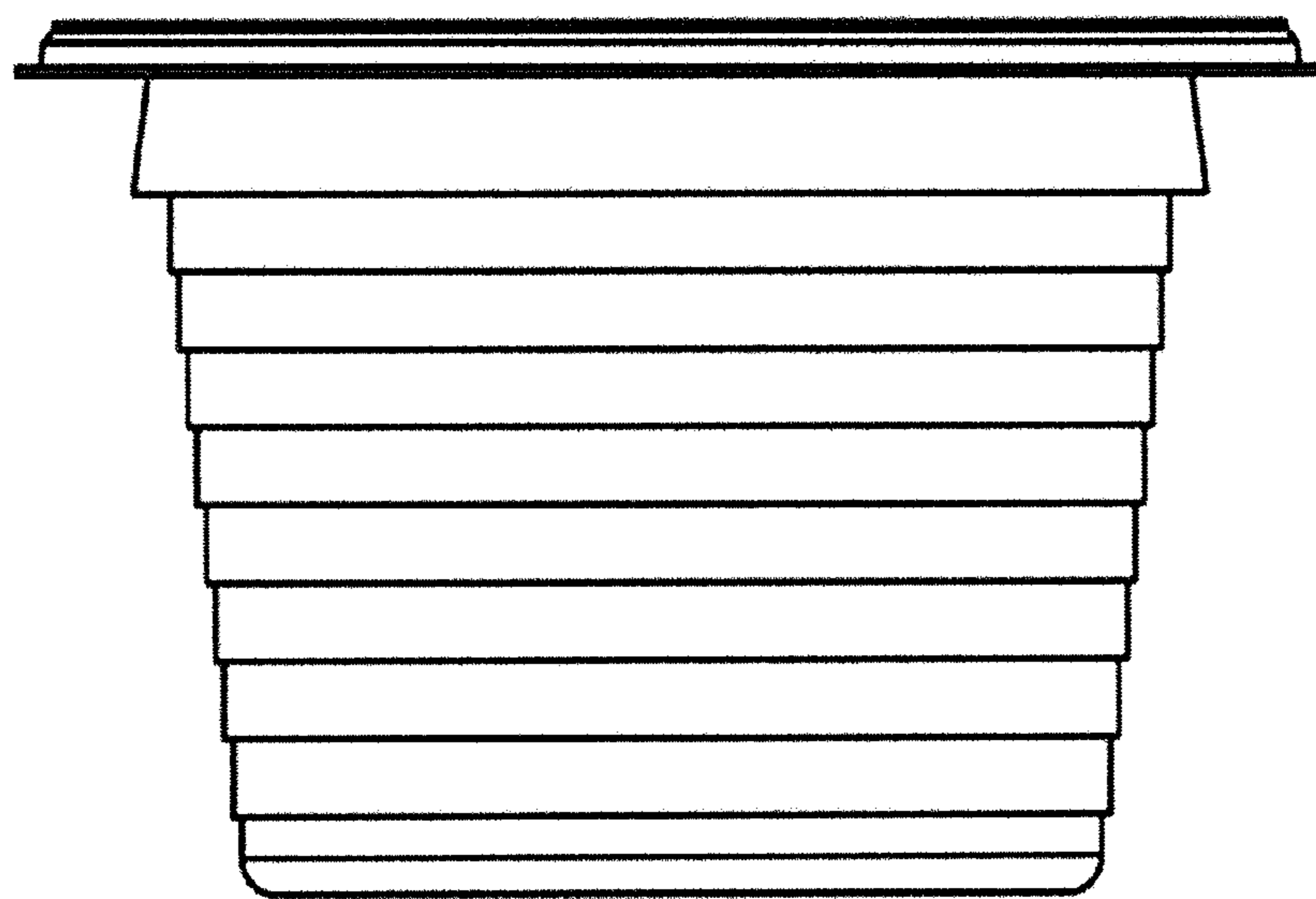


FIG. 6

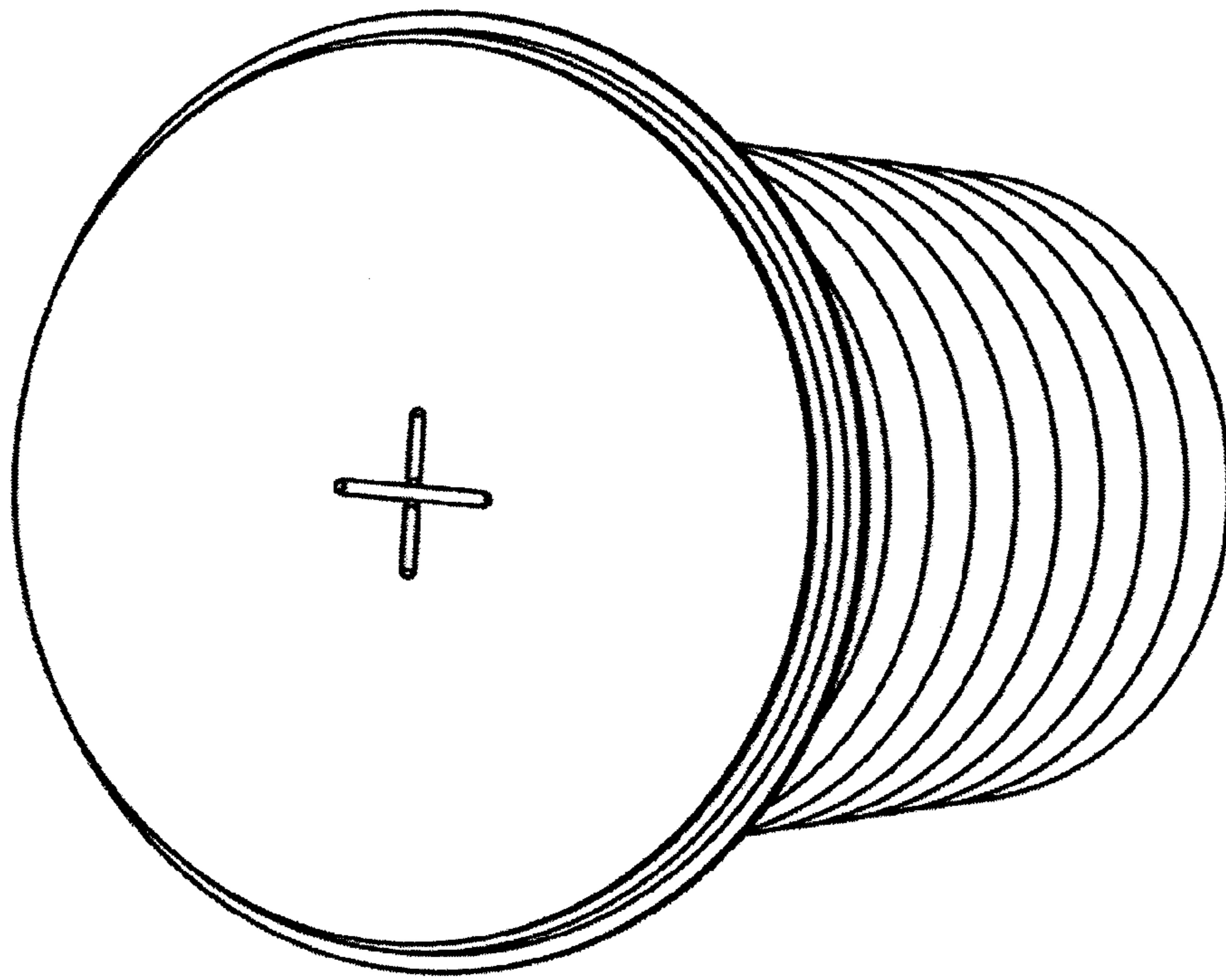


FIG. 7

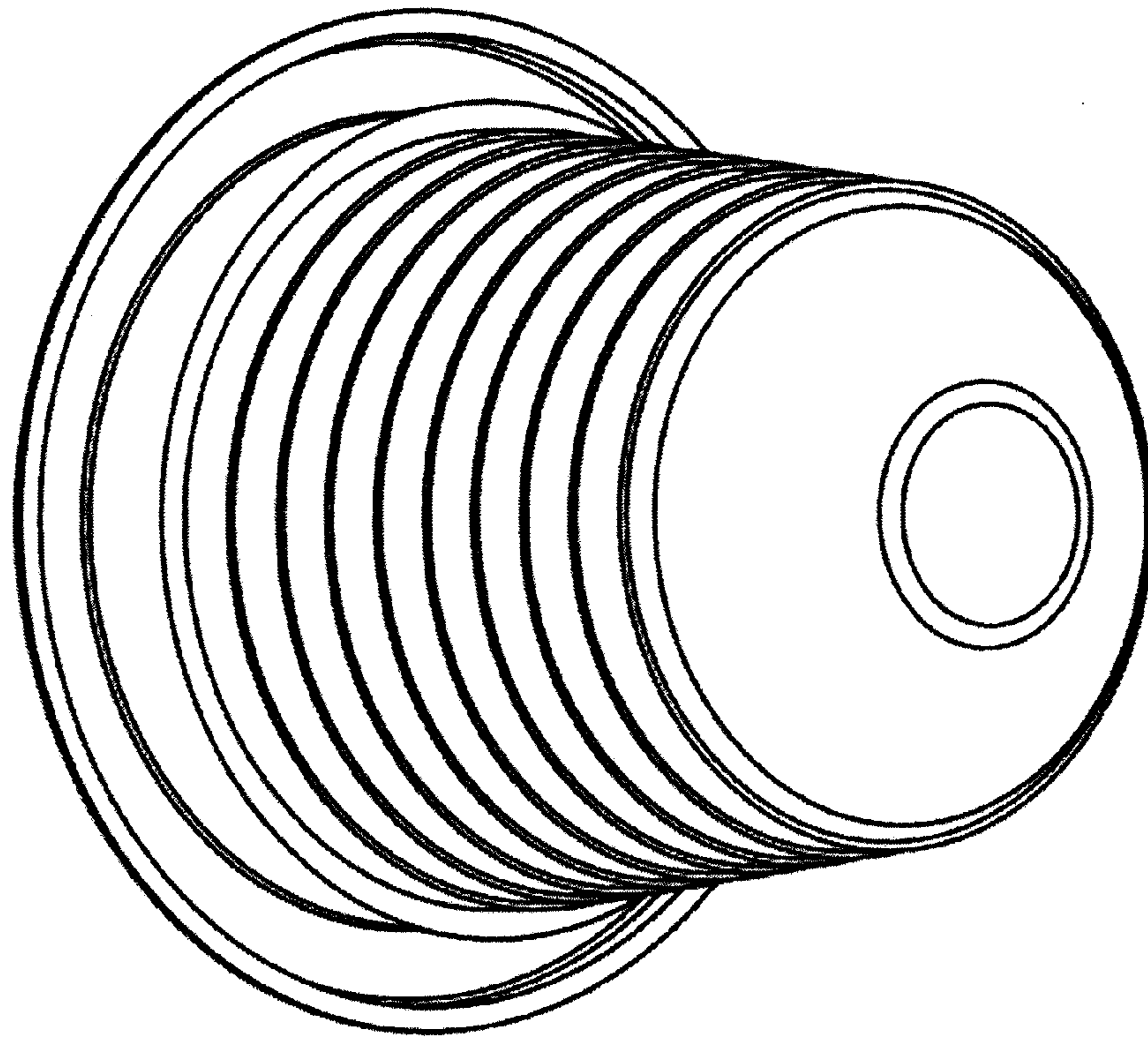


FIG. 8

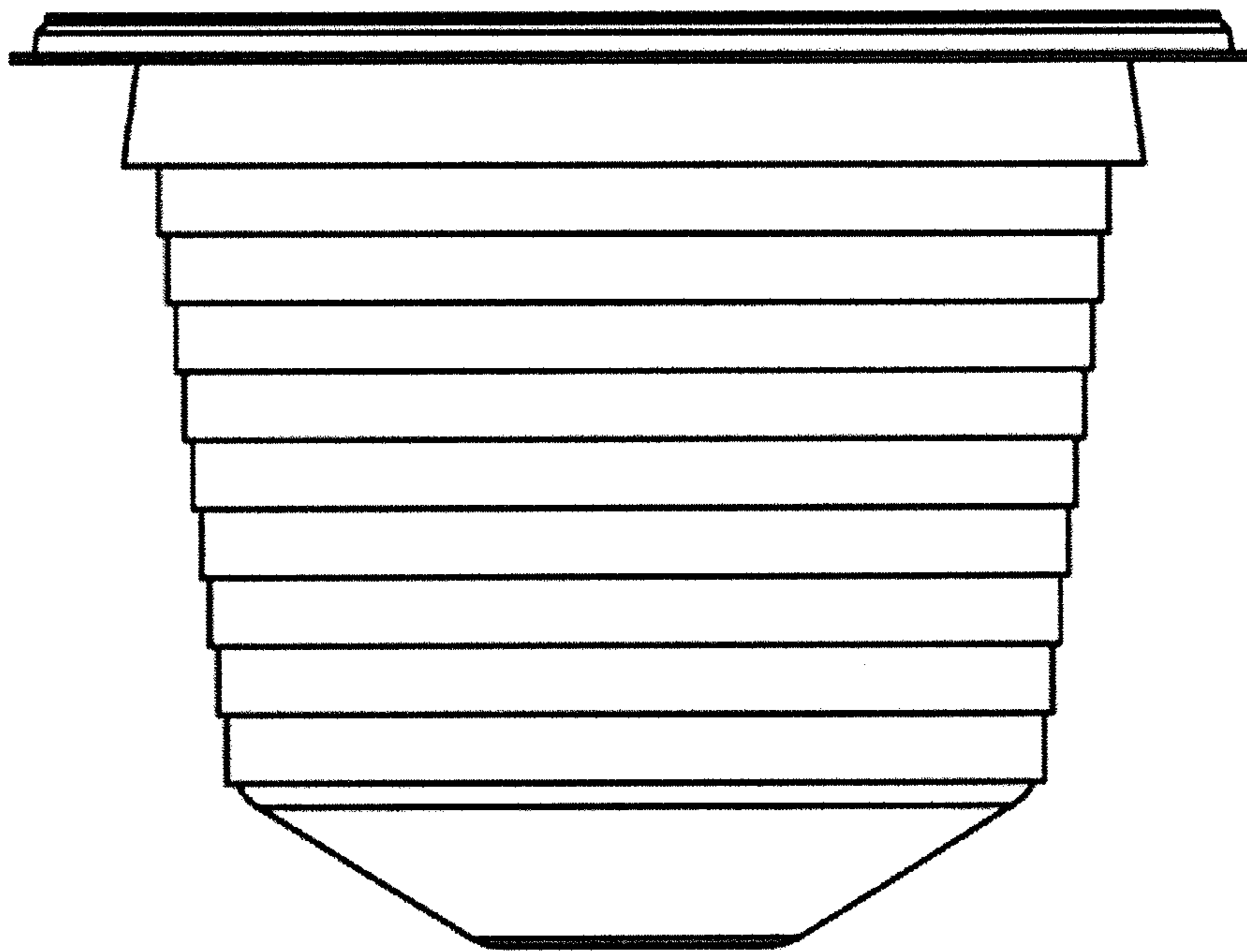


FIG. 9