



US00D686494S

(12) **United States Design Patent**  
**Marcinkowski**

(10) **Patent No.:** **US D686,494 S**  
(45) **Date of Patent:** **\*\* Jul. 23, 2013**

- (54) **RAZOR PACKAGE**
- (71) Applicant: **The Gillette Company**, Boston, MA (US)
- (72) Inventor: **Stanley Michael Marcinkowski**, Peabody, MA (US)
- (73) Assignee: **The Gillette Company**, Boston, MA (US)
- (\*\*) Term: **14 Years**
- (21) Appl. No.: **29/444,352**
- (22) Filed: **Jan. 30, 2013**

5,704,503 A	1/1998	Krishnakumar et al.
D409,922 S	5/1999	Jones et al.
D466,408 S	12/2002	Baerenwald et al.
D499,207 S	11/2004	Angeletta
D499,208 S	11/2004	Angeletta
6,838,138 B1	1/2005	Akiyama et al.
D502,394 S	3/2005	Jackson et al.
D505,748 S *	5/2005	Angeletta ..... D28/7
D509,727 S	9/2005	Suckle et al.
D531,028 S *	10/2006	Weiss et al. .... D9/435
D531,798 S	11/2006	Ringo
D568,739 S	5/2008	Darr
D611,351 S	3/2010	Mansau
D624,402 S *	9/2010	Hansen et al. .... D9/426
D624,815 S	10/2010	Hansen et al.
7,931,148 B2	4/2011	Hansen et al.
D642,053 S *	7/2011	Samartgis ..... D9/435
D642,462 S *	8/2011	Samartgis ..... D9/435
D659,023 S *	5/2012	Hsu ..... D9/737

**Related U.S. Application Data**

- (62) Division of application No. 29/367,828, filed on Aug. 13, 2010, now Pat. No. Des. 678,053.
- (51) **LOC (9) Cl.** ..... **09-07**
- (52) **U.S. Cl.**  
USPC ..... **D9/434**; D9/414; D9/415
- (58) **Field of Classification Search**  
USPC ..... D9/414-435, 600-681, 715-722, D9/737, 748-762, 529, 551-553, 556, 563, D9/564, 566, 569, 571, 455-499, 723-729, D9/763-783; D28/44-54, 73, 76-78; 206/461-471, 235, 581, 349-383, 385, 769-771, 775-783, 806, 822, 823; D3/201-206, D3/212, 247, 263-265, 273, 276, 294, 302, D3/318, 321, 322, 901, 903, 905; 220/669-675  
See application file for complete search history.

\* cited by examiner

*Primary Examiner* — Catherine Tuttle

(74) *Attorney, Agent, or Firm* — Joanne N. Pappas; Kevin C. Johnson; Steven W. Miller

(57) **CLAIM**

The ornamental design for a razor package, as shown and described.

**DESCRIPTION**

FIG. 1 is a perspective view of a razor package showing my new design;  
FIG. 2 is a front view thereof;  
FIG. 3 is a back view thereof;  
FIG. 4 is a right side view thereof;  
FIG. 5 is a left side view thereof;  
FIG. 6 is a top view thereof; and,  
FIG. 7 is a bottom view thereof.

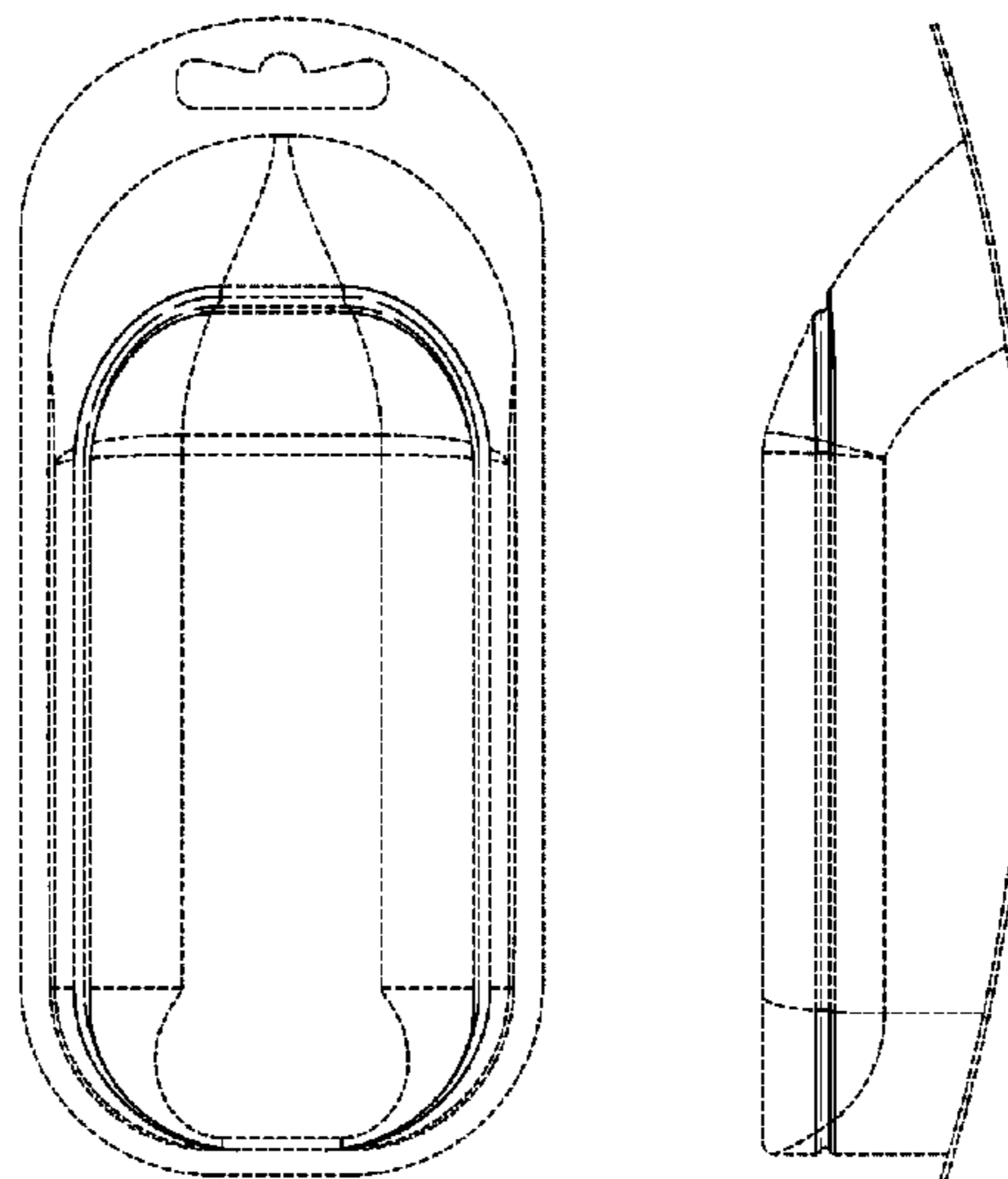
The dashed broken lines are included for the purpose of illustrating portions of the razor package that form no part of the claimed design.

(56) **References Cited**

**U.S. PATENT DOCUMENTS**

D25,575 S	6/1896	Fletcher
D102,422 S	12/1936	Fuerst
D224,642 S	8/1972	Mascia
D315,101 S	3/1991	Goldstein et al.

**1 Claim, 6 Drawing Sheets**



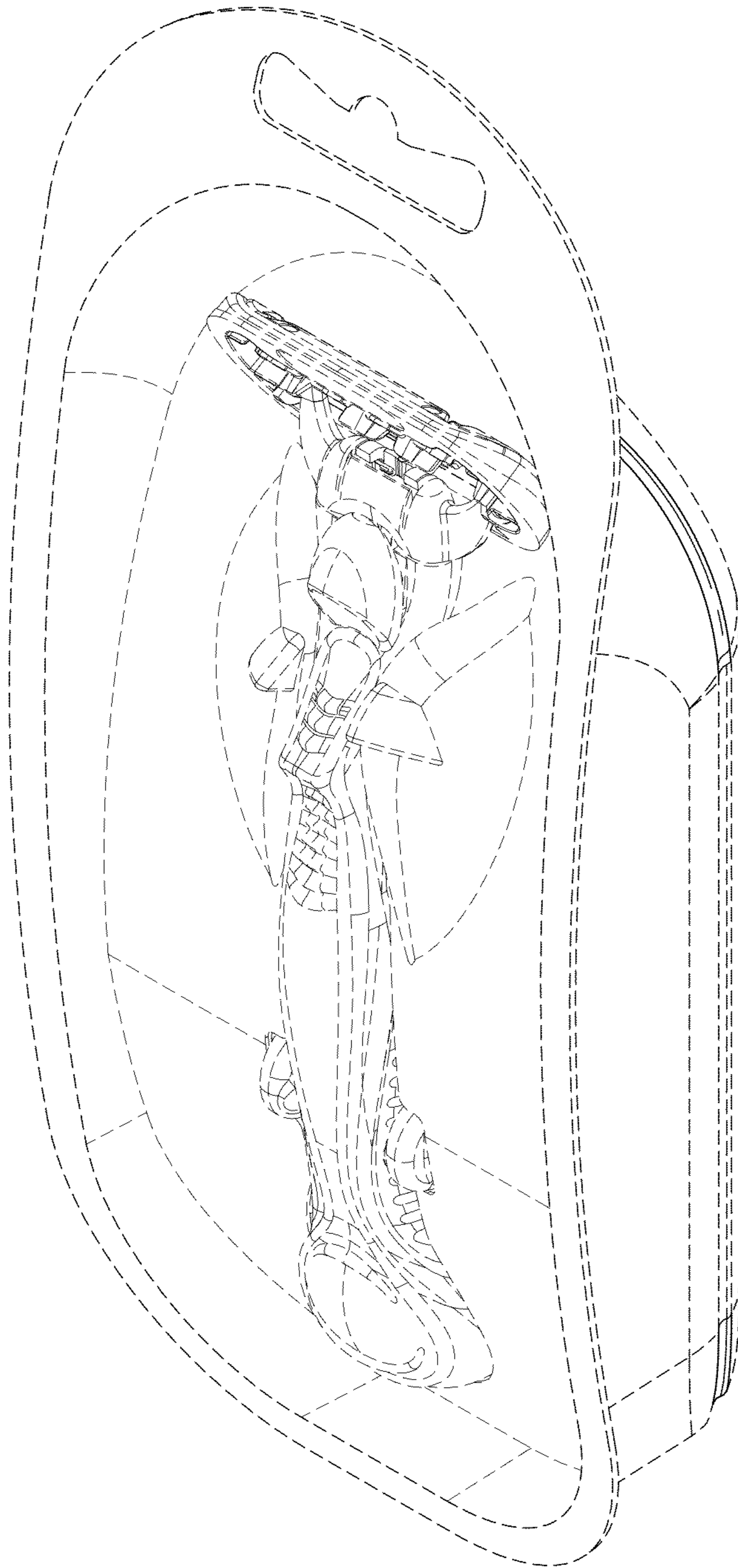


FIG. 1

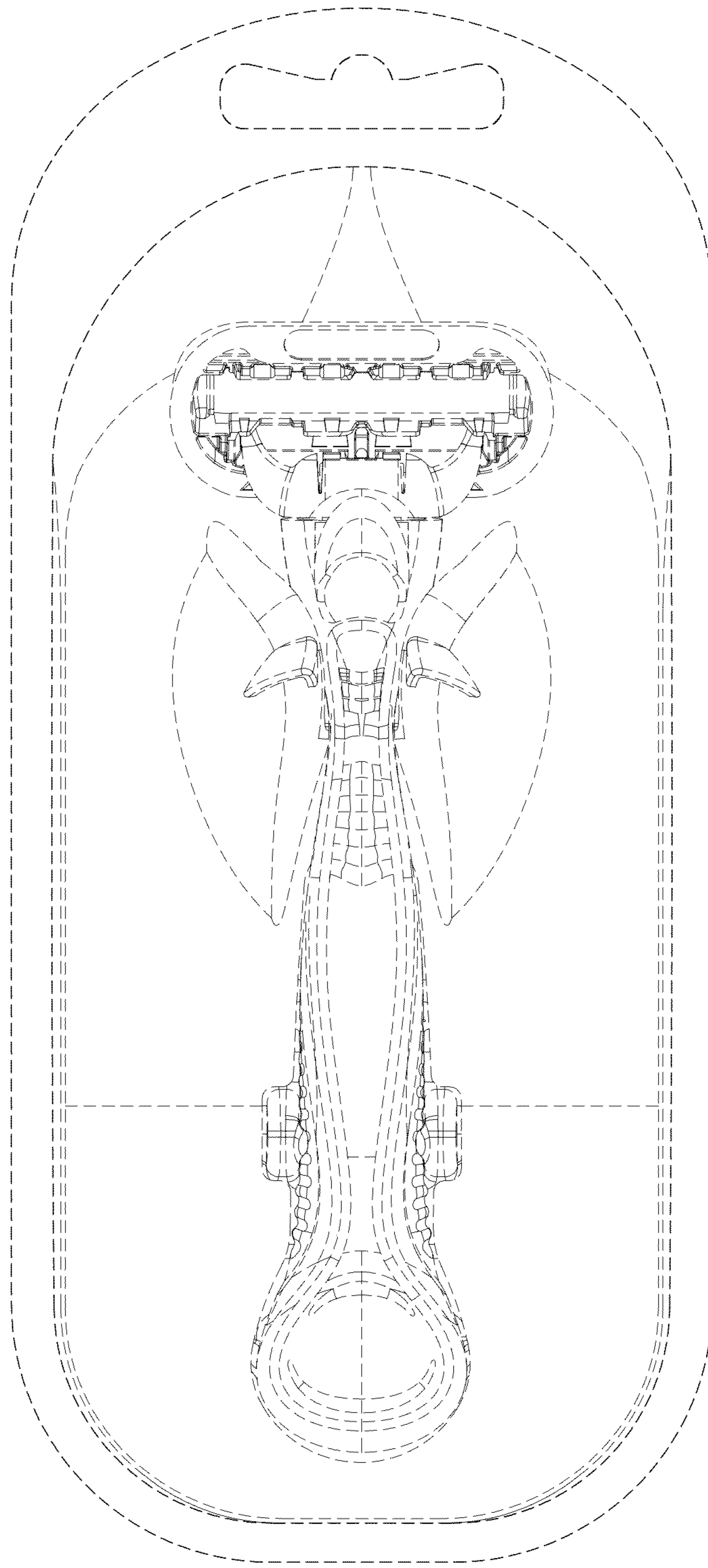


FIG. 2

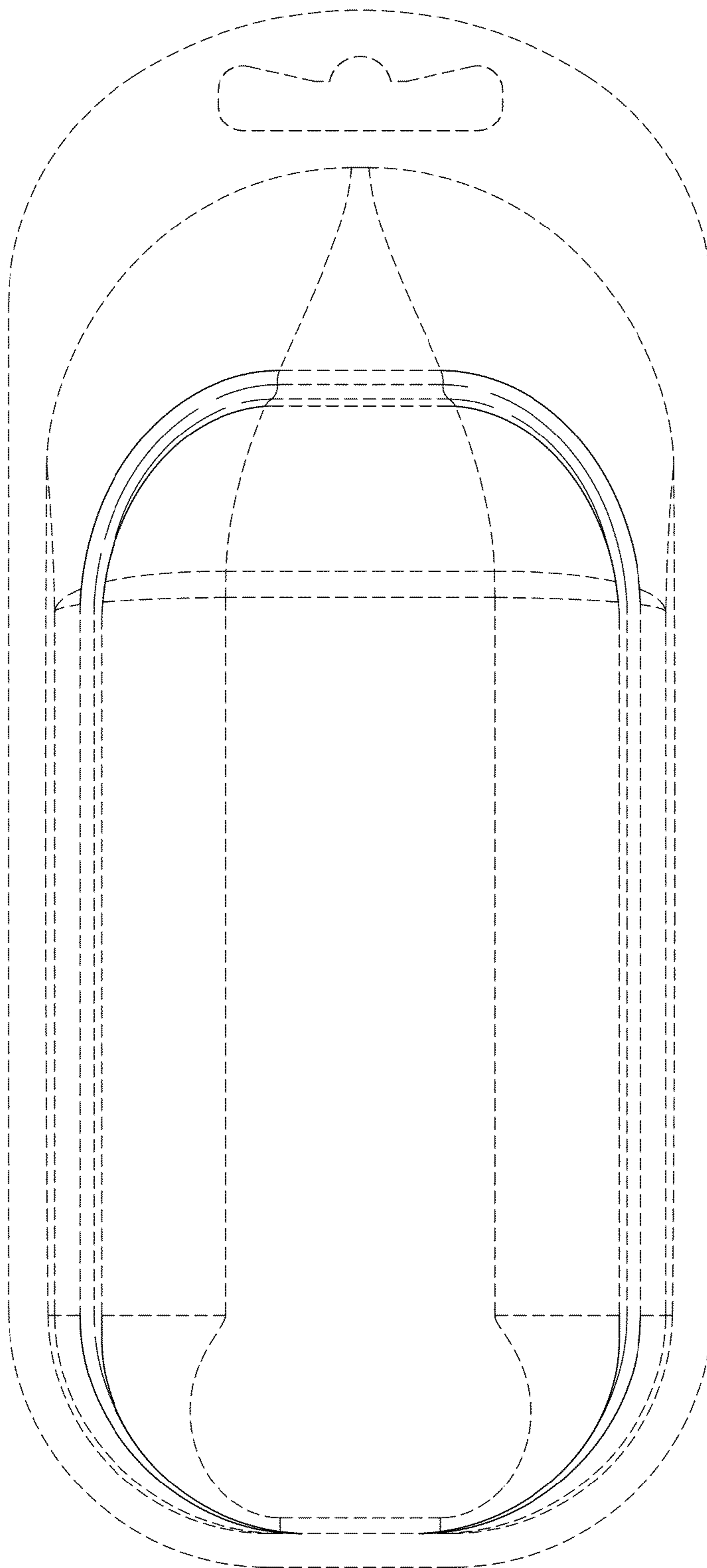


FIG. 3

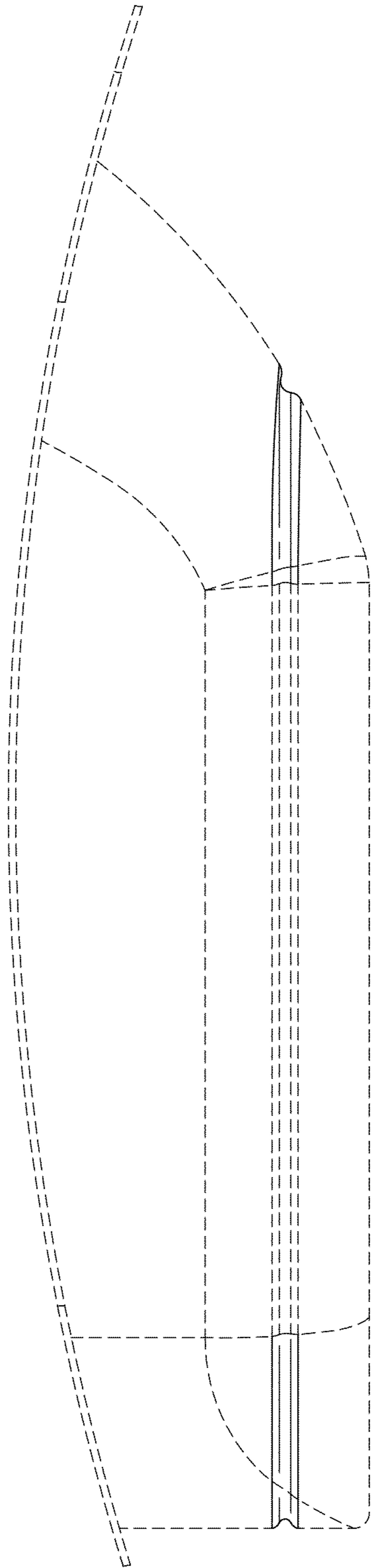


FIG. 4

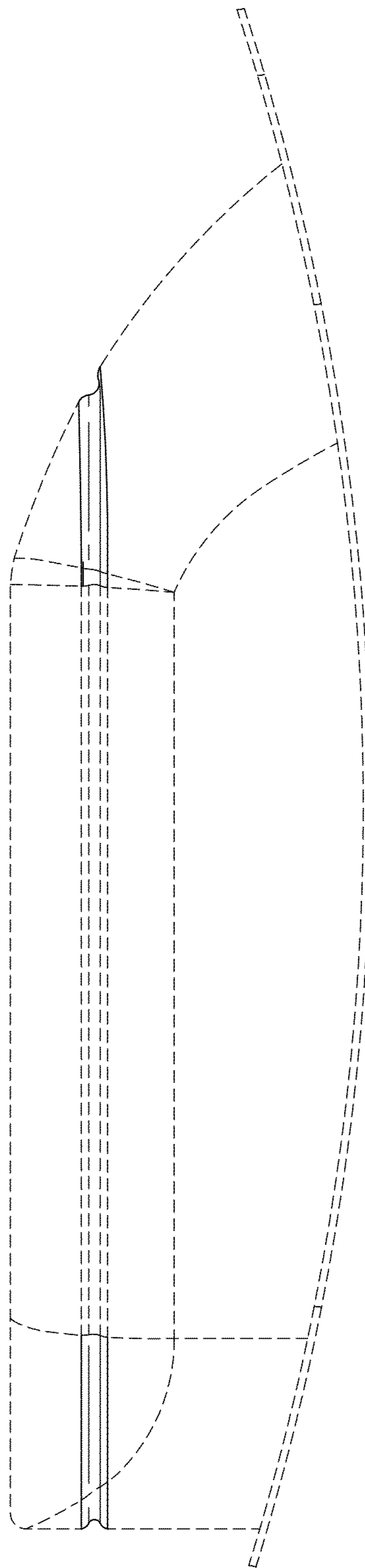


FIG. 5

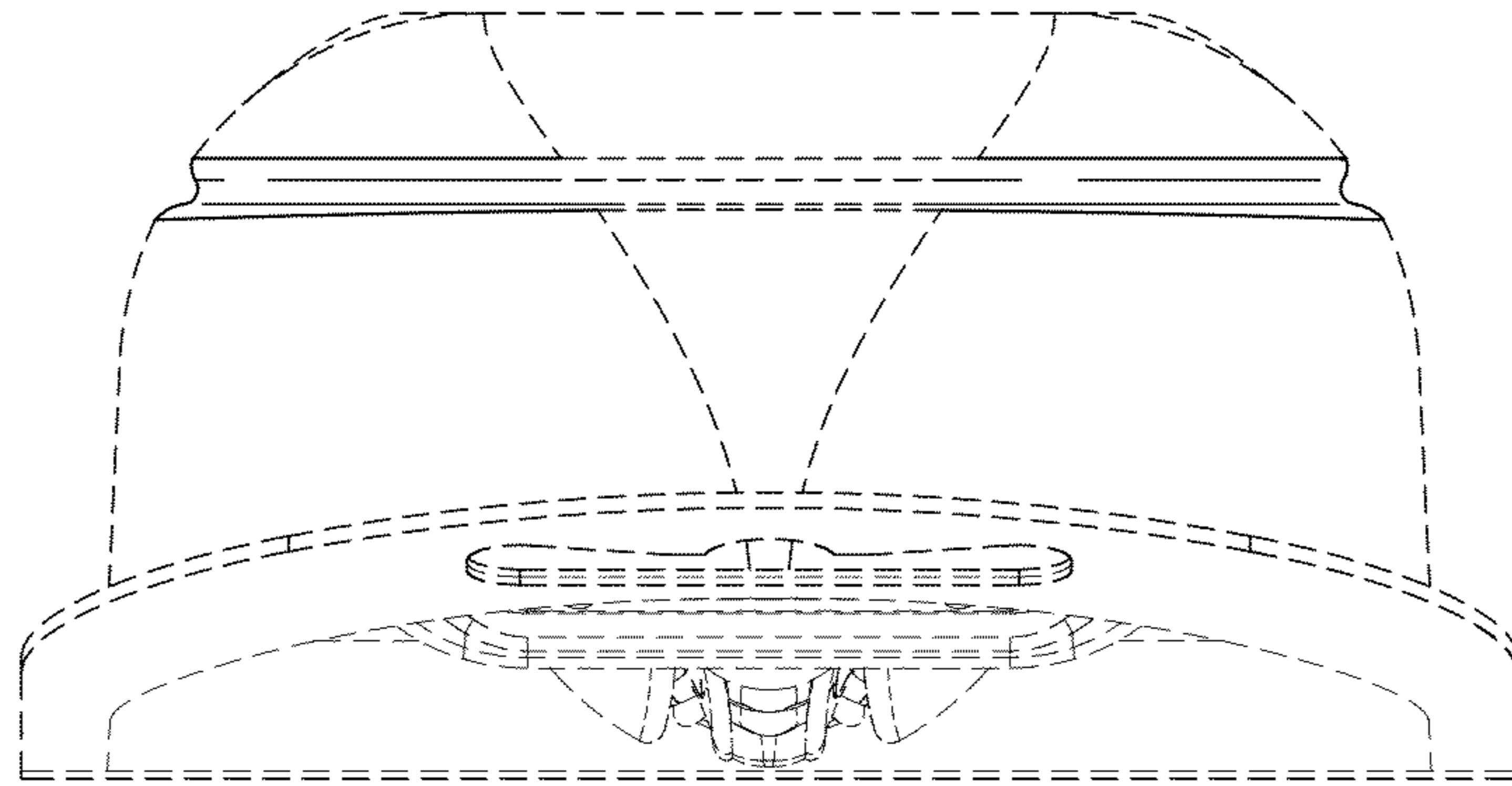


FIG. 6

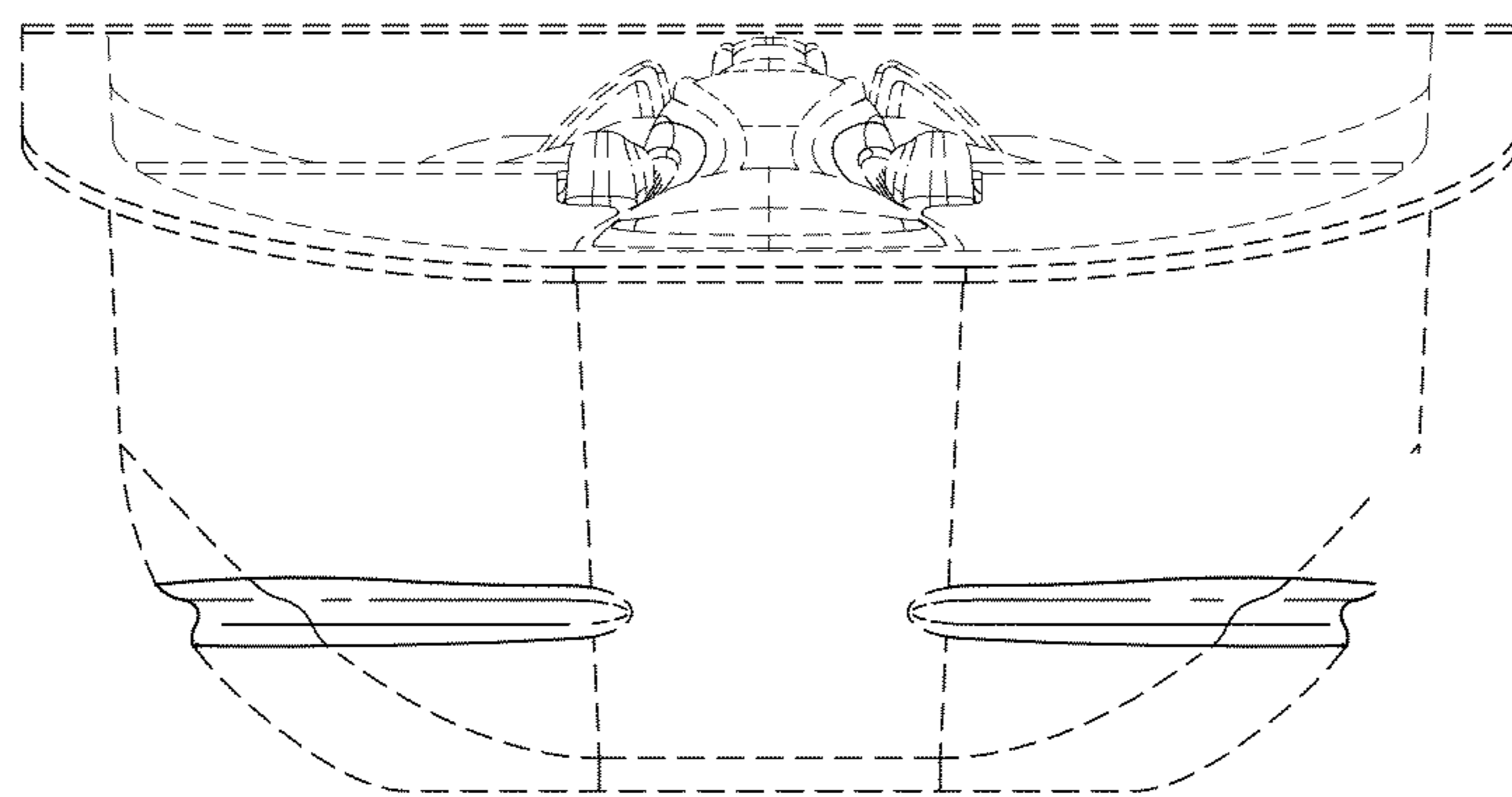


FIG. 7