



US00D686493S

(12) **United States Design Patent**
Marcinkowski

(10) **Patent No.:** **US D686,493 S**
(45) **Date of Patent:** **** Jul. 23, 2013**

- (54) **RAZOR PACKAGE**
- (71) Applicant: **The Gillette Company**, Boston, MA (US)
- (72) Inventor: **Stanley Michael Marcinkowski**, Peabody, MA (US)
- (73) Assignee: **The Gillette Company**, Boston, MA (US)
- (**) Term: **14 Years**
- (21) Appl. No.: **29/444,351**
- (22) Filed: **Jan. 30, 2013**

- D224,642 S 8/1972 Mascia
- D315,101 S 3/1991 Goldstein et al.
- 5,704,503 A 1/1998 Krishnakumar et al.
- D409,922 S 5/1999 Jones et al.
- D466,408 S 12/2002 Baerenwald et al.
- D499,207 S 11/2004 Angeletta
- D499,208 S 11/2004 Angeletta
- 6,838,138 B1 1/2005 Akiyama et al.
- D502,394 S 3/2005 Jackson et al.
- D505,748 S * 5/2005 Angeletta D28/7
- D509,727 S 9/2005 Suckle et al.
- D531,028 S * 10/2006 Weiss et al. D9/435
- D531,798 S 11/2006 Ringo
- D568,739 S 5/2008 Darr
- D611,351 S 3/2010 Mansau
- D624,402 S * 9/2010 Hansen et al. D9/426
- D624,815 S 10/2010 Hansen et al.

(Continued)

Related U.S. Application Data

- (62) Division of application No. 29/367,828, filed on Aug. 13, 2010, now Pat. No. Des. 678,053.
- (51) **LOC (9) Cl.** **09-07**
- (52) **U.S. Cl.**
USPC **D9/434**; D9/414; D9/415
- (58) **Field of Classification Search**
USPC D9/414-435, 600-681, 715-722, D9/737, 748-762, 529, 551-553, 556, 563, D9/564, 566, 569, 571, 455-499, 723-729, D9/763-783; D28/44-54, 73, 76-78; 206/461-471, 235, 581, 349-383, 385, 769-771, 775-783, 806, 822, 823; D3/201-206, D3/212, 247, 263-265, 273, 276, 294, 302, D3/318, 321, 322, 901, 903, 905; 220/669-675
See application file for complete search history.

Primary Examiner — Catherine Tuttle

(74) *Attorney, Agent, or Firm* — Joanne N. Pappas; Kevin C. Johnson; Steven W. Miller

(57) **CLAIM**

The ornamental design for a razor package, as shown and described.

DESCRIPTION

FIG. 1 is a perspective view of a razor package showing my new design;
 FIG. 2 is a front view thereof;
 FIG. 3 is a back view thereof;
 FIG. 4 is a right side view thereof;
 FIG. 5 is a left side view thereof;
 FIG. 6 is a top view thereof; and,
 FIG. 7 is a bottom view thereof.

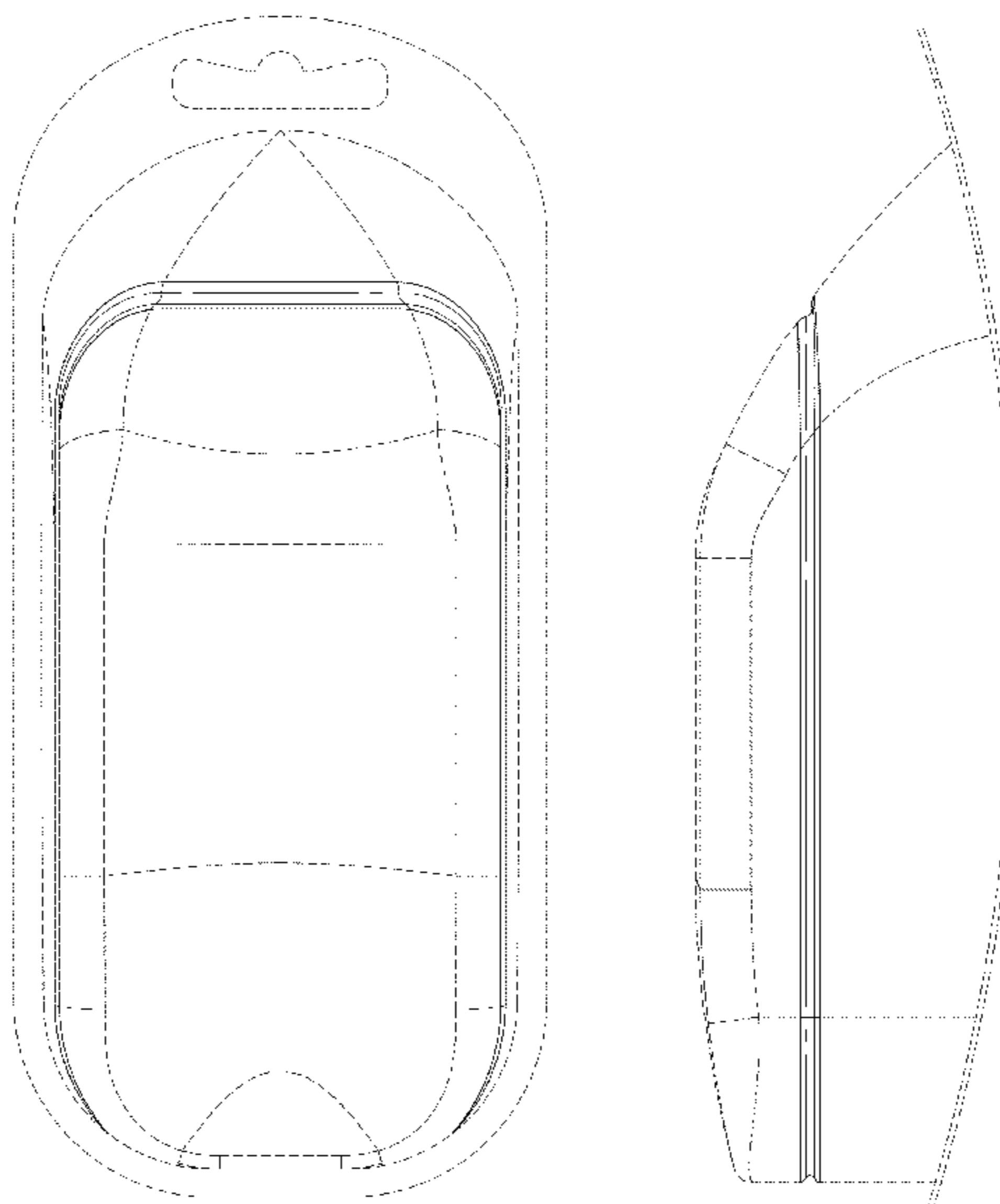
The dashed broken lines are included for the purpose of illustrating portions of the razor package that form no part of the claimed design.

(56) **References Cited**

U.S. PATENT DOCUMENTS

- D25,575 S 6/1896 Fletcher
- D102,422 S 12/1936 Fuerst

1 Claim, 6 Drawing Sheets



US D686,493 S

Page 2

U.S. PATENT DOCUMENTS		D642,462 S *	8/2011	Samartgis	D9/435
7,931,148 B2	4/2011	Hansen et al.			
D642,053 S *	7/2011	Samartgis			D9/435
					* cited by examiner

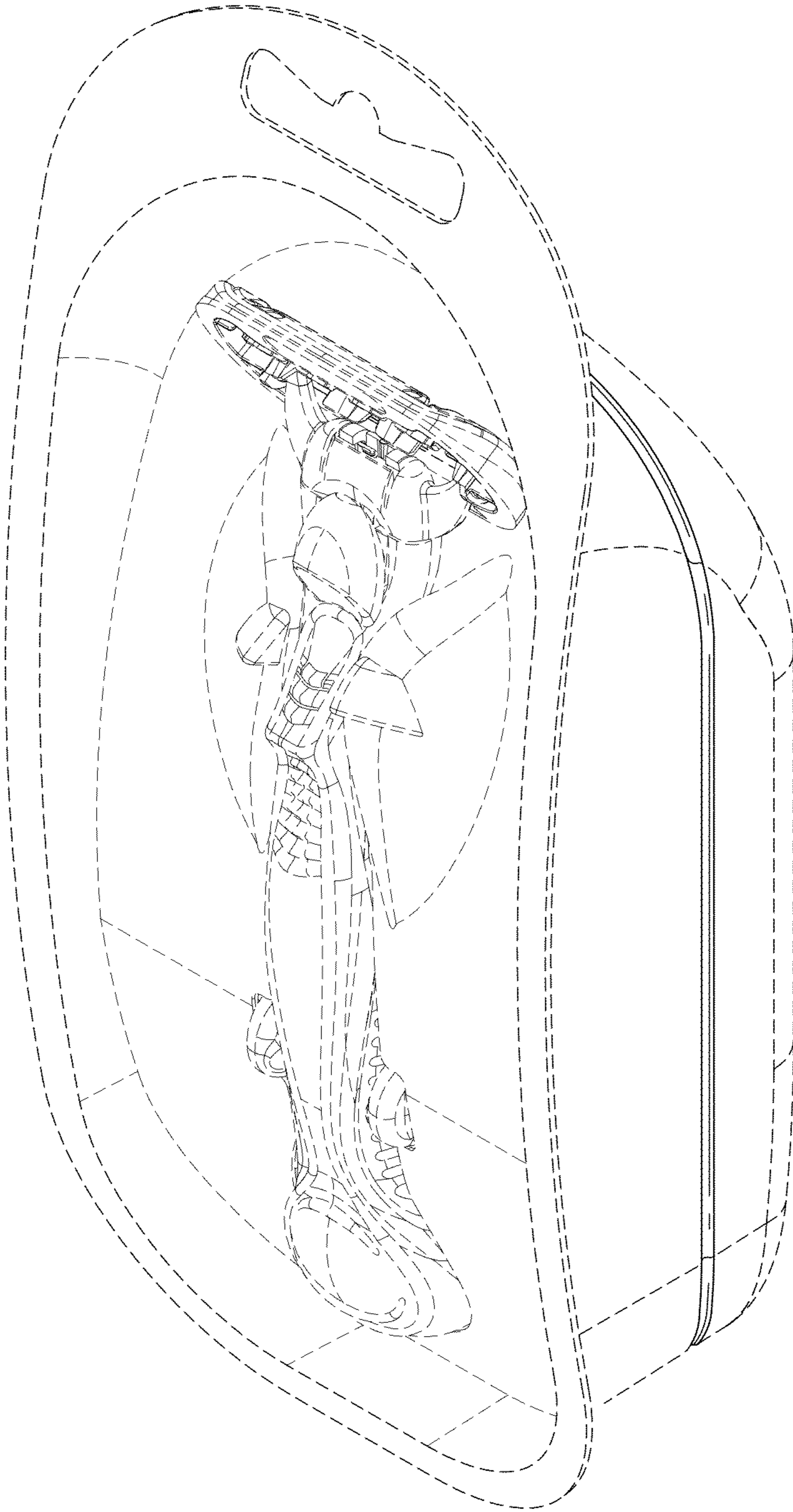


FIG. 1

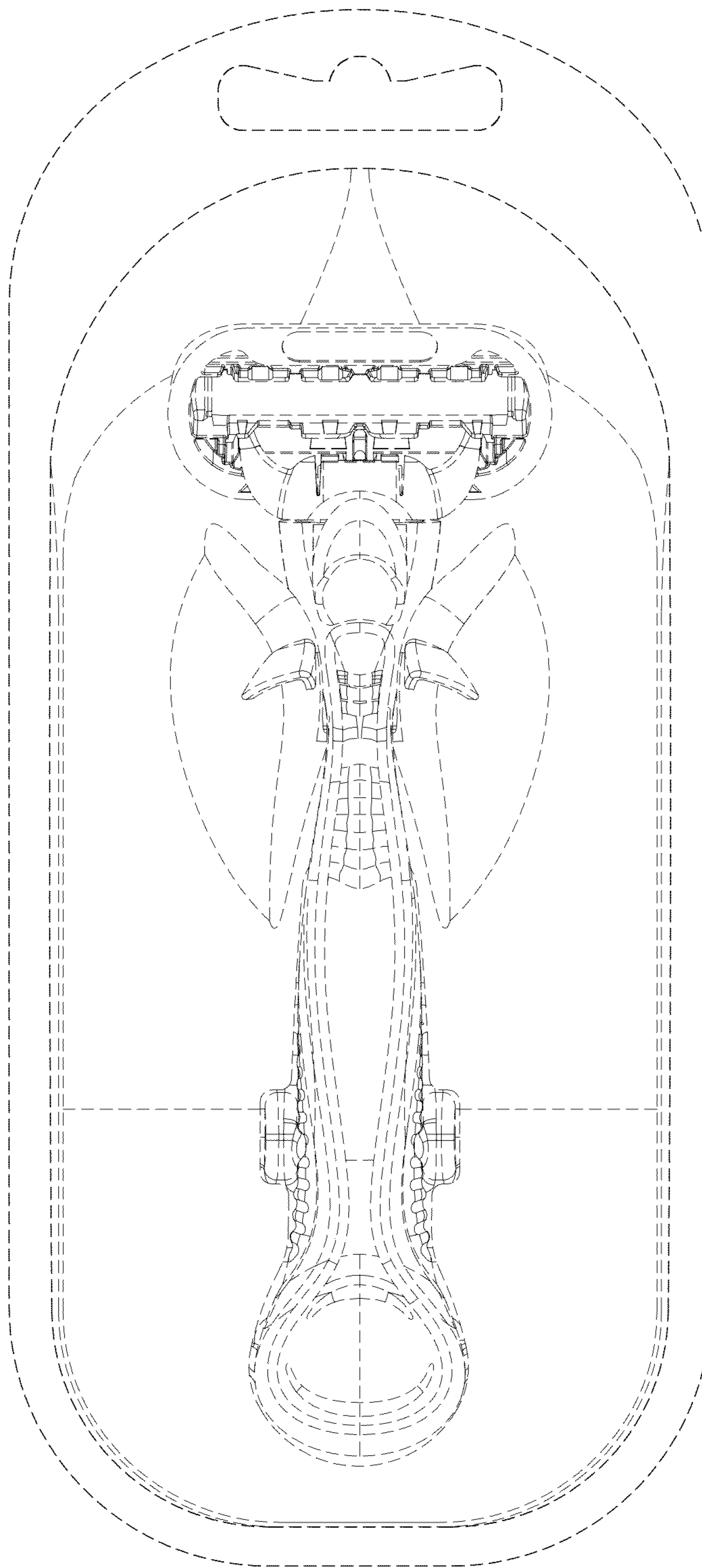


FIG. 2

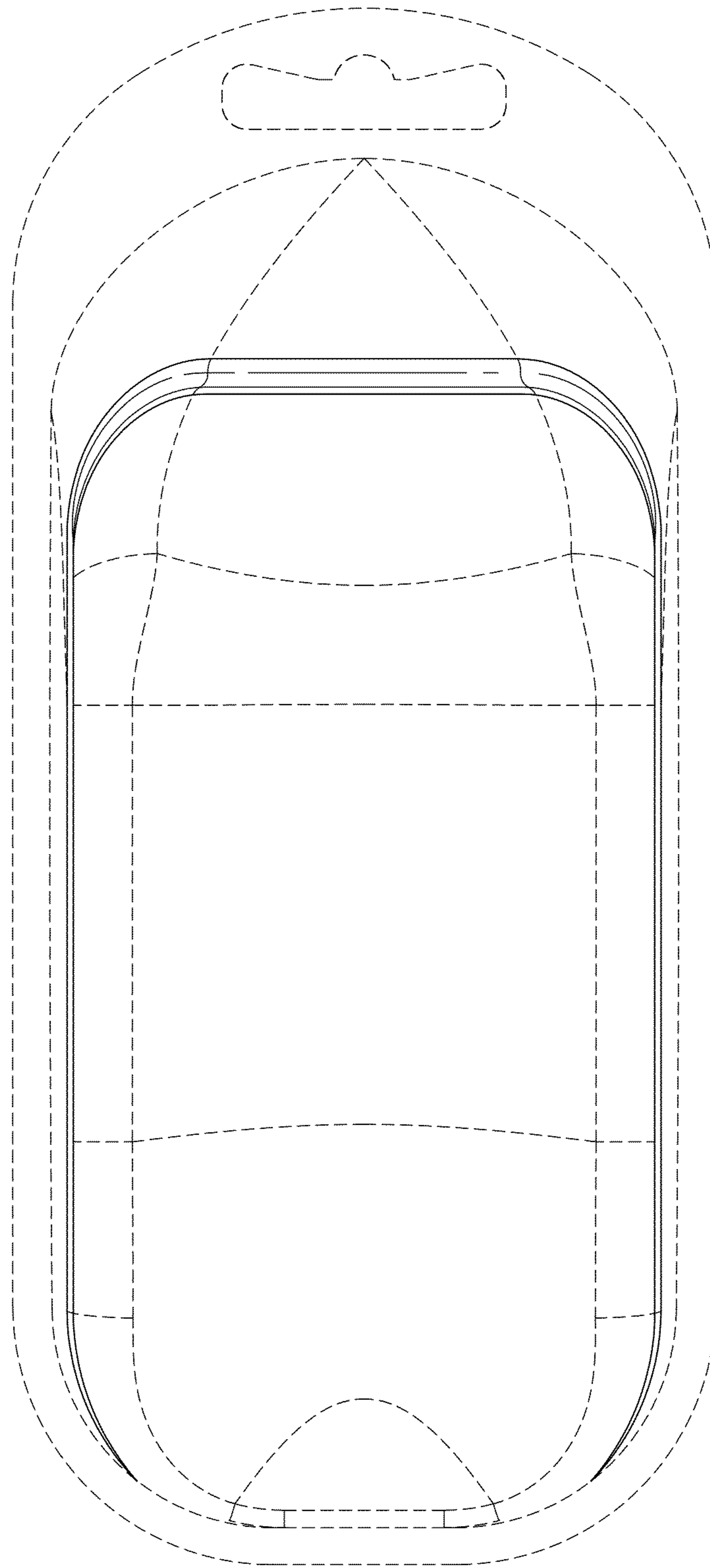


FIG. 3

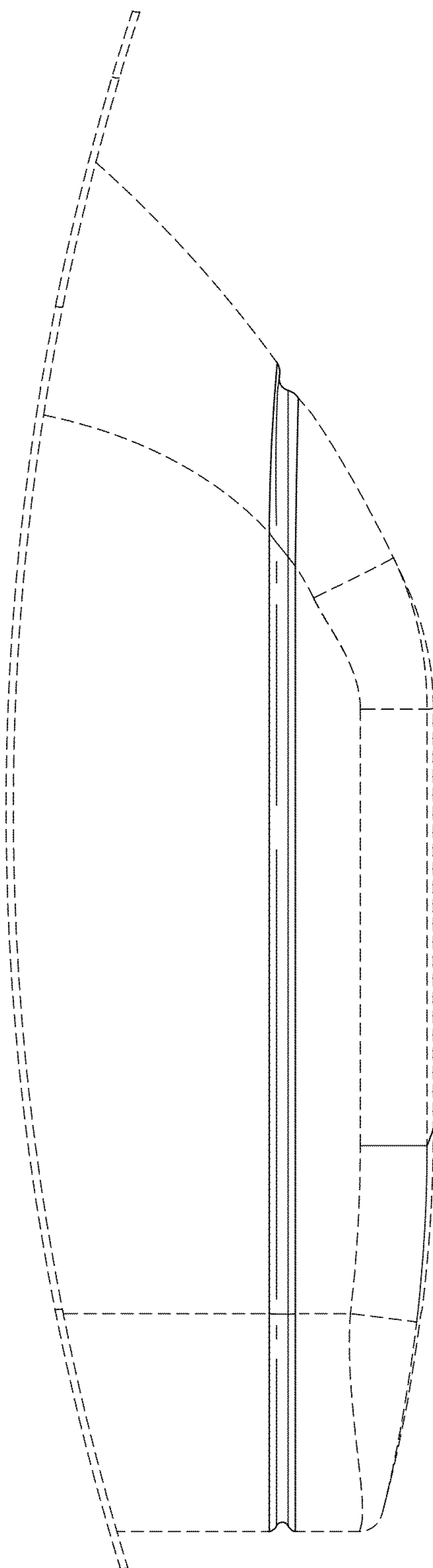


FIG. 4

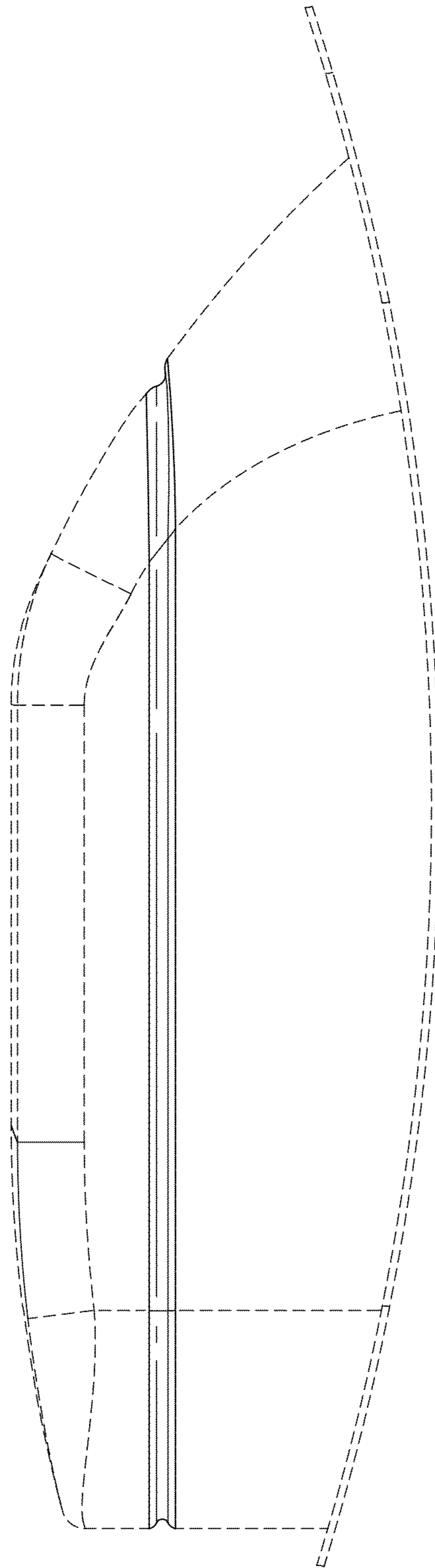


FIG. 5

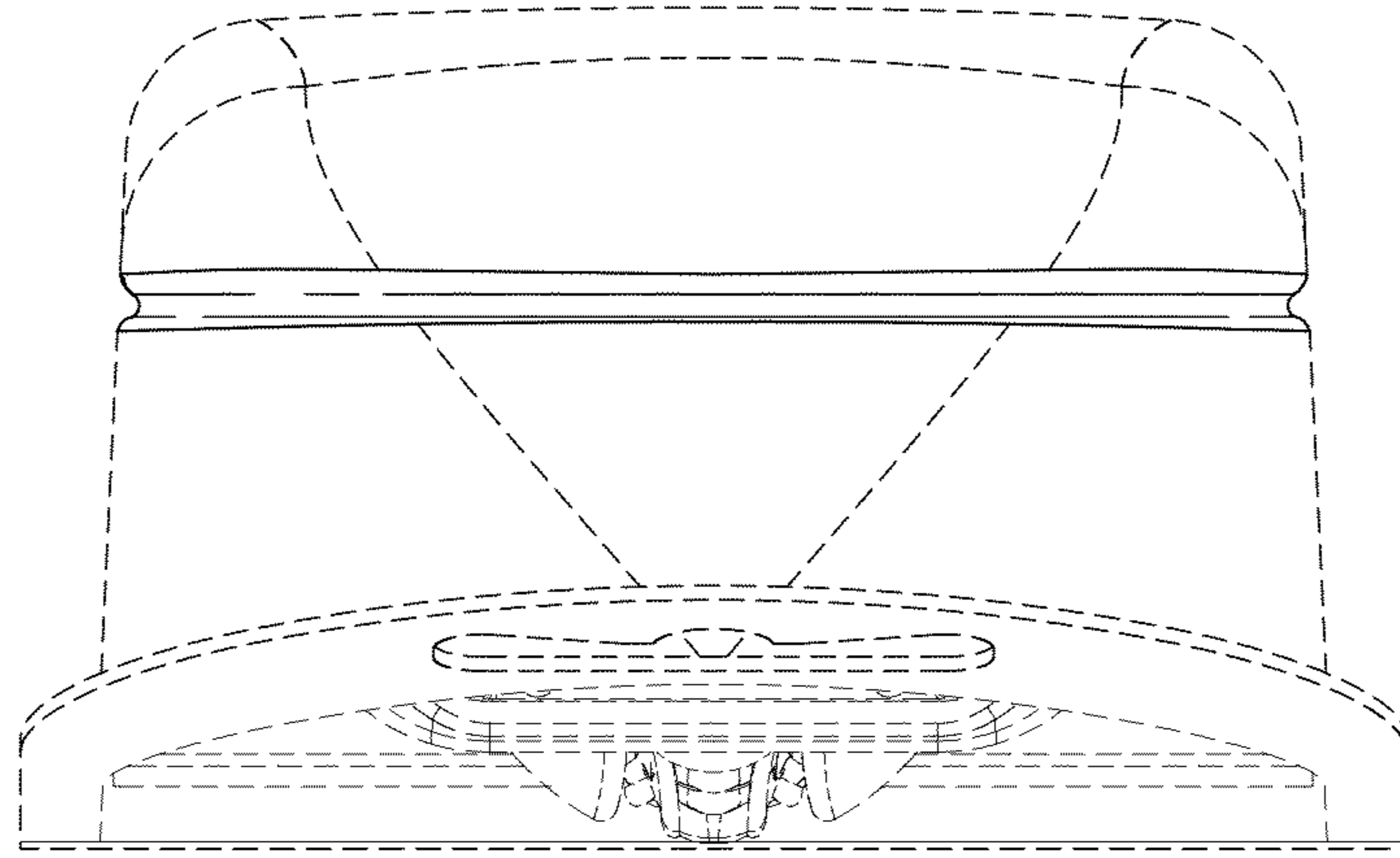


FIG. 6

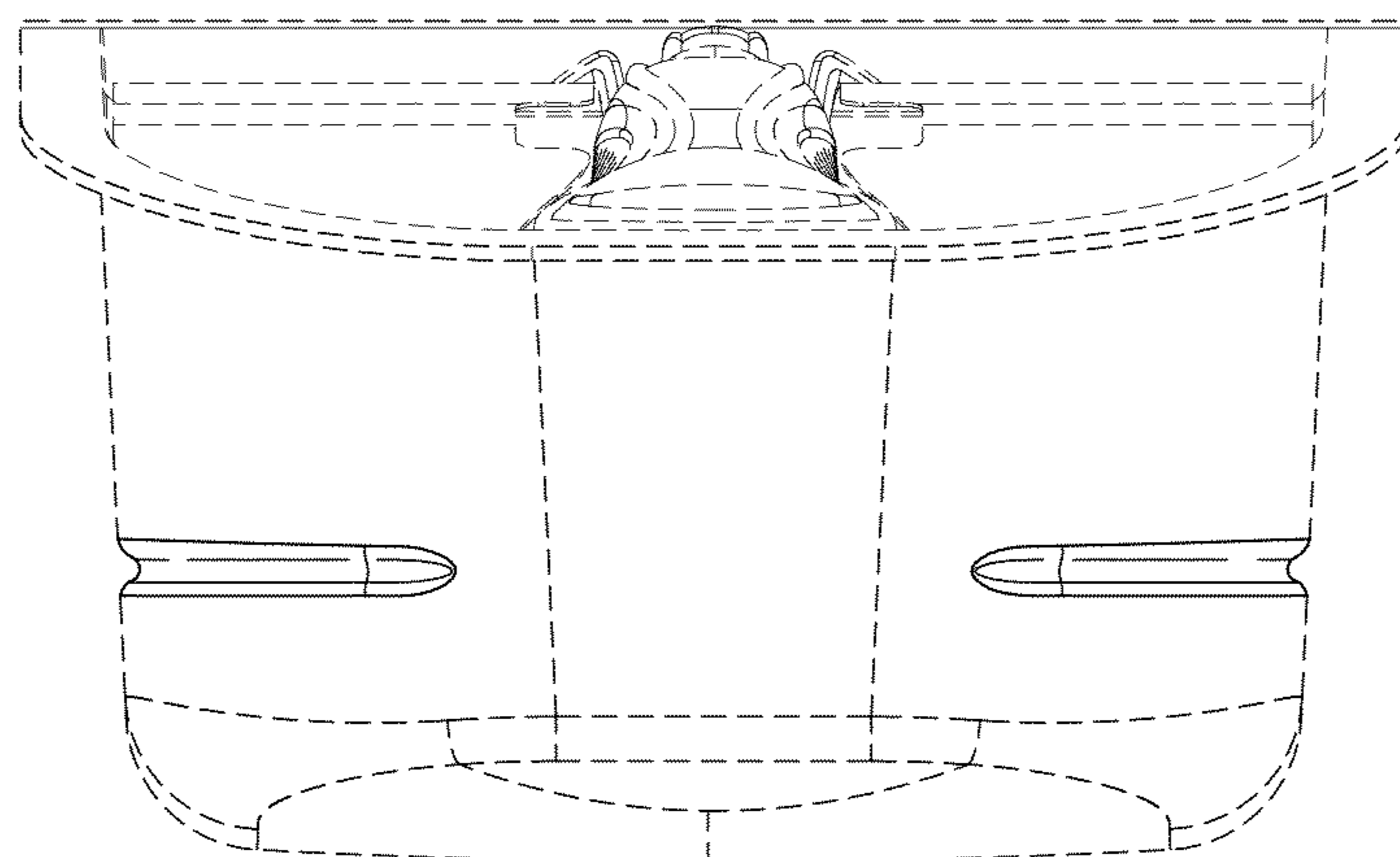


FIG. 7