



US00D686491S

(12) **United States Design Patent**  
**Kuo et al.**

(10) **Patent No.:** **US D686,491 S**  
(45) **Date of Patent:** **\*\* Jul. 23, 2013**

(54) **MOLDED PULP CARTON**

D585,733 S \* 2/2009 Feibelman ..... D9/423  
D616,741 S \* 6/2010 Andre et al. .... D9/432  
D649,449 S \* 11/2011 Akana et al. .... D9/430

(75) Inventors: **Chien-Kuan Kuo**, New Taipei (TW);  
**Chun-Huang Huang**, New Taipei (TW)

\* cited by examiner

(73) Assignee: **Golden Arrow Printing, Co., Ltd.**, New Taipei (TW)

*Primary Examiner* — Susan Bennett Hattan

*Assistant Examiner* — Vy Koenig

(\*\*) Term: **14 Years**

(74) *Attorney, Agent, or Firm* — Chun-Ming Shih; HDLS IPR Services

(21) Appl. No.: **29/427,883**

(22) Filed: **Jul. 24, 2012**

(57) **CLAIM**

(51) **LOC (9) Cl.** ..... **09-03**

The ornamental design for a molded pulp carton, as shown and described.

(52) **U.S. Cl.**

USPC ..... **D9/432**

(58) **Field of Classification Search**

USPC ..... D9/414, 416–418, 420–424, 430–435;  
D3/202, 302–304, 315; 206/427, 557, 521.15,  
206/736; 229/100, 101, 108, 108.1, 117.09,  
229/200, 215, 125.01, 182.1

See application file for complete search history.

**DESCRIPTION**

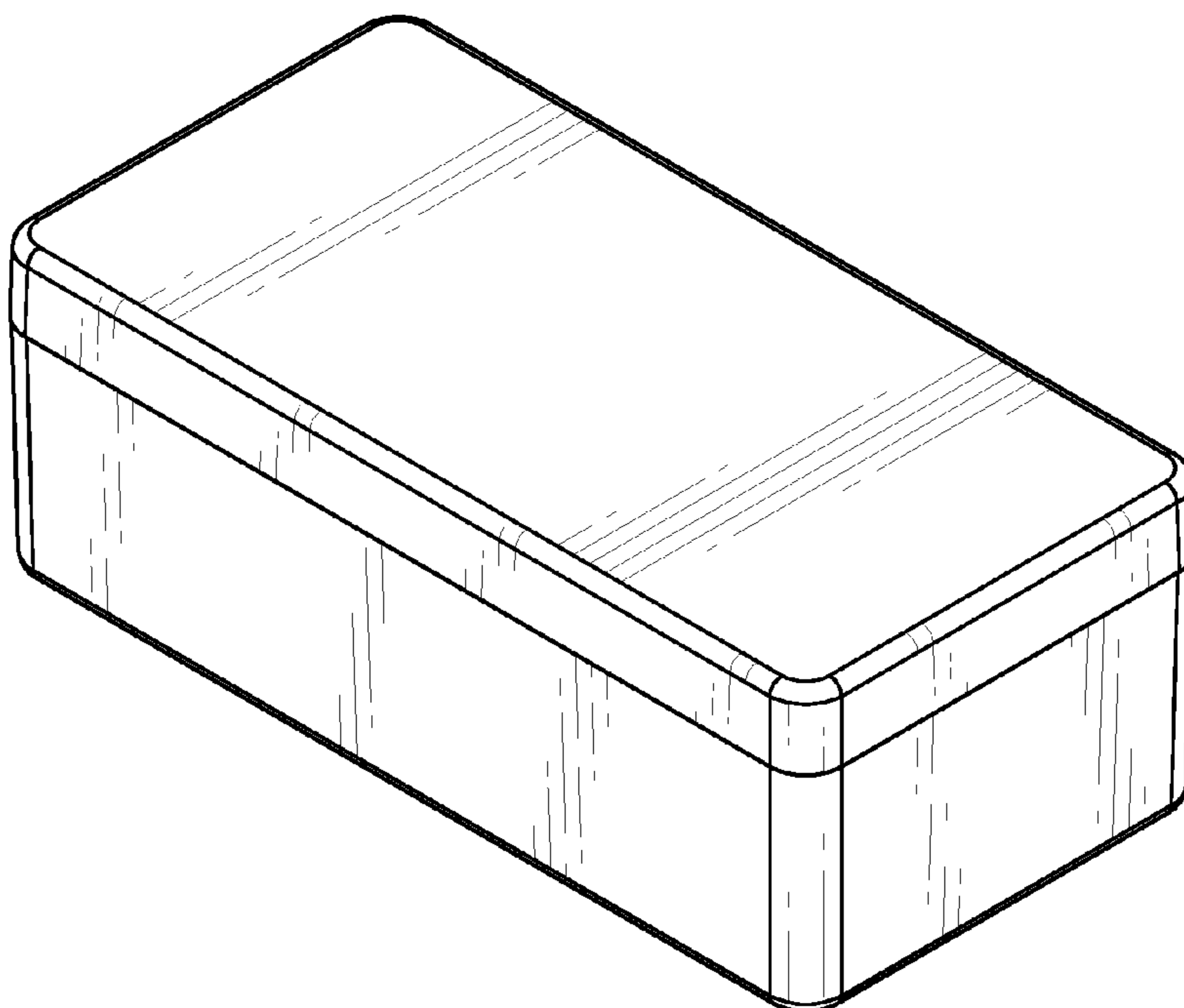
(56) **References Cited**

**U.S. PATENT DOCUMENTS**

D9,110 S \* 2/1876 Chandler ..... D9/432  
2,606,708 A \* 8/1952 Irvan ..... 220/796  
D261,234 S \* 10/1981 Abraham ..... D9/432  
4,667,872 A \* 5/1987 Desmond et al. .... 229/106  
D332,399 S \* 1/1993 Neff ..... D9/423  
D344,676 S \* 3/1994 Newman ..... D9/430  
D369,295 S \* 4/1996 Kobari et al. .... D9/423  
D389,639 S \* 1/1998 Priebe ..... D3/203.8  
D406,463 S \* 3/1999 Rutledge ..... D3/302  
D543,453 S \* 5/2007 Fu et al. .... D3/302

FIG. 1 is a perspective view of a molded pulp carton showing my new design;  
FIG. 2 is a front view thereof;  
FIG. 3 is a rear view thereof;  
FIG. 4 is a left side view thereof;  
FIG. 5 is a right side view thereof;  
FIG. 6 is a top view thereof;  
FIG. 7 is a bottom view thereof; and  
FIG. 8 is second perspective view showing the molded pulp carton; and,  
FIG. 9 is an exploded perspective view showing the molded pulp carton.  
The broken lines shown represent unclaimed subject matter and form no part of the claimed design.

**1 Claim, 6 Drawing Sheets**



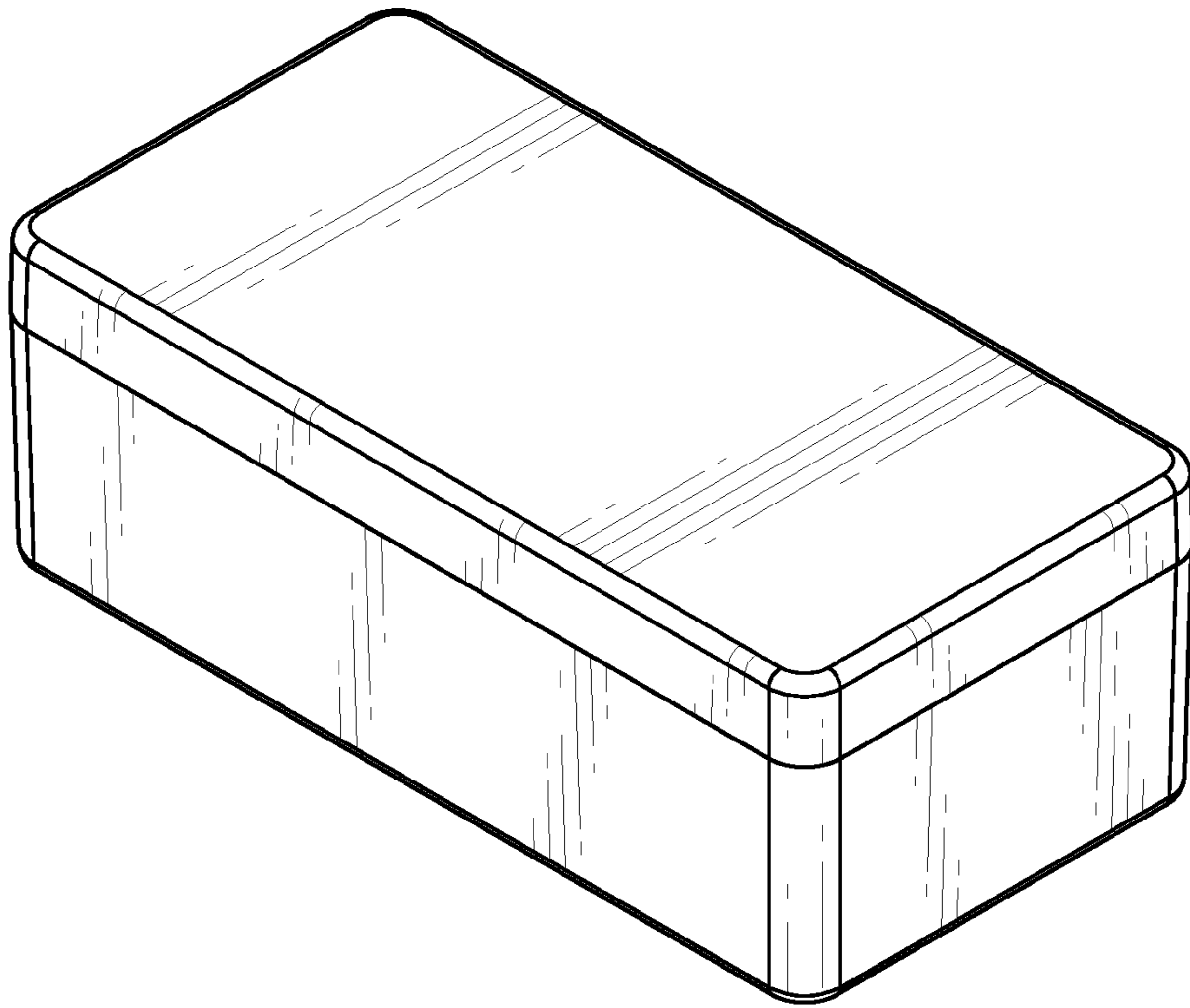


FIG.1



FIG. 2



FIG. 3

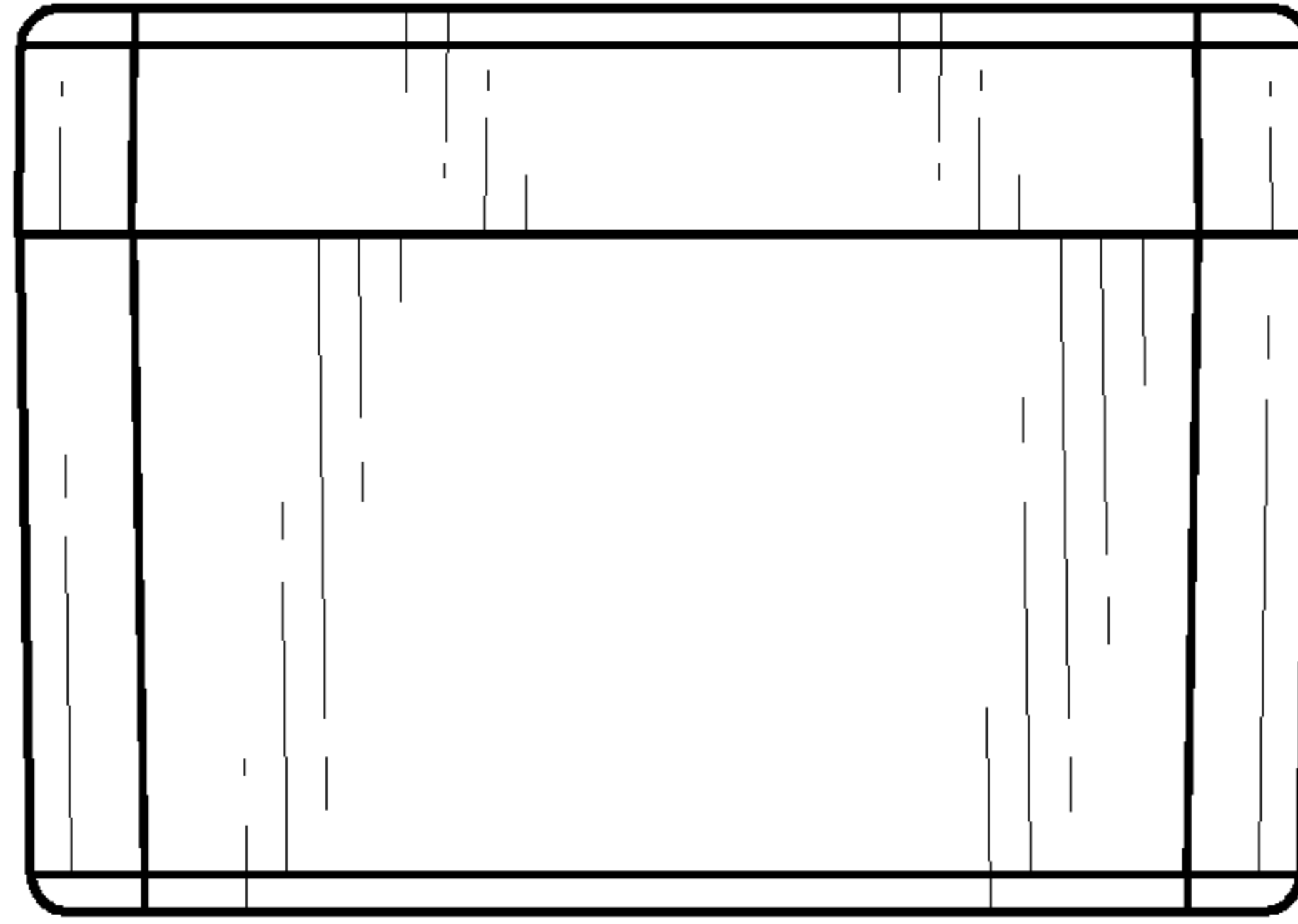


FIG. 4

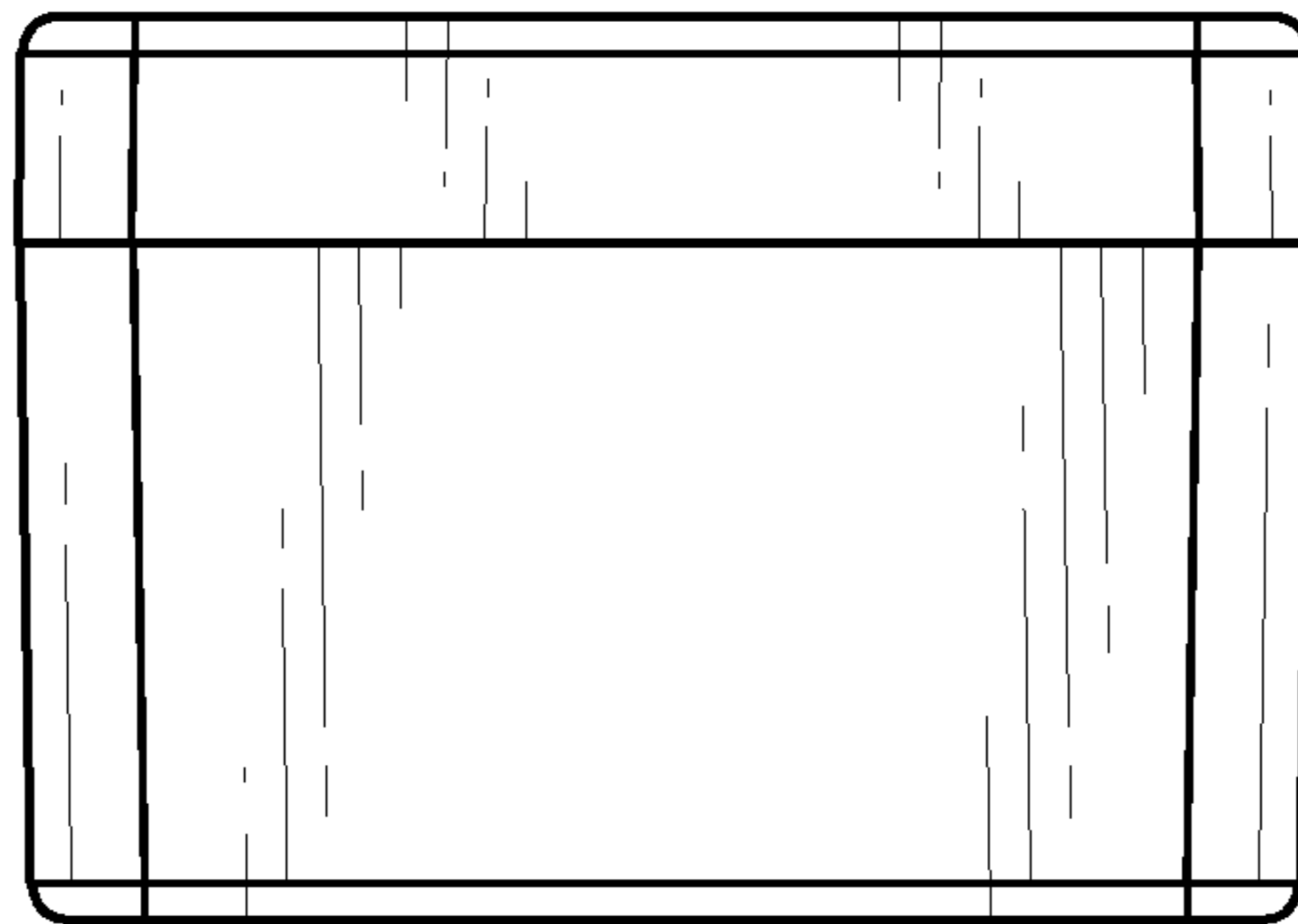


FIG. 5

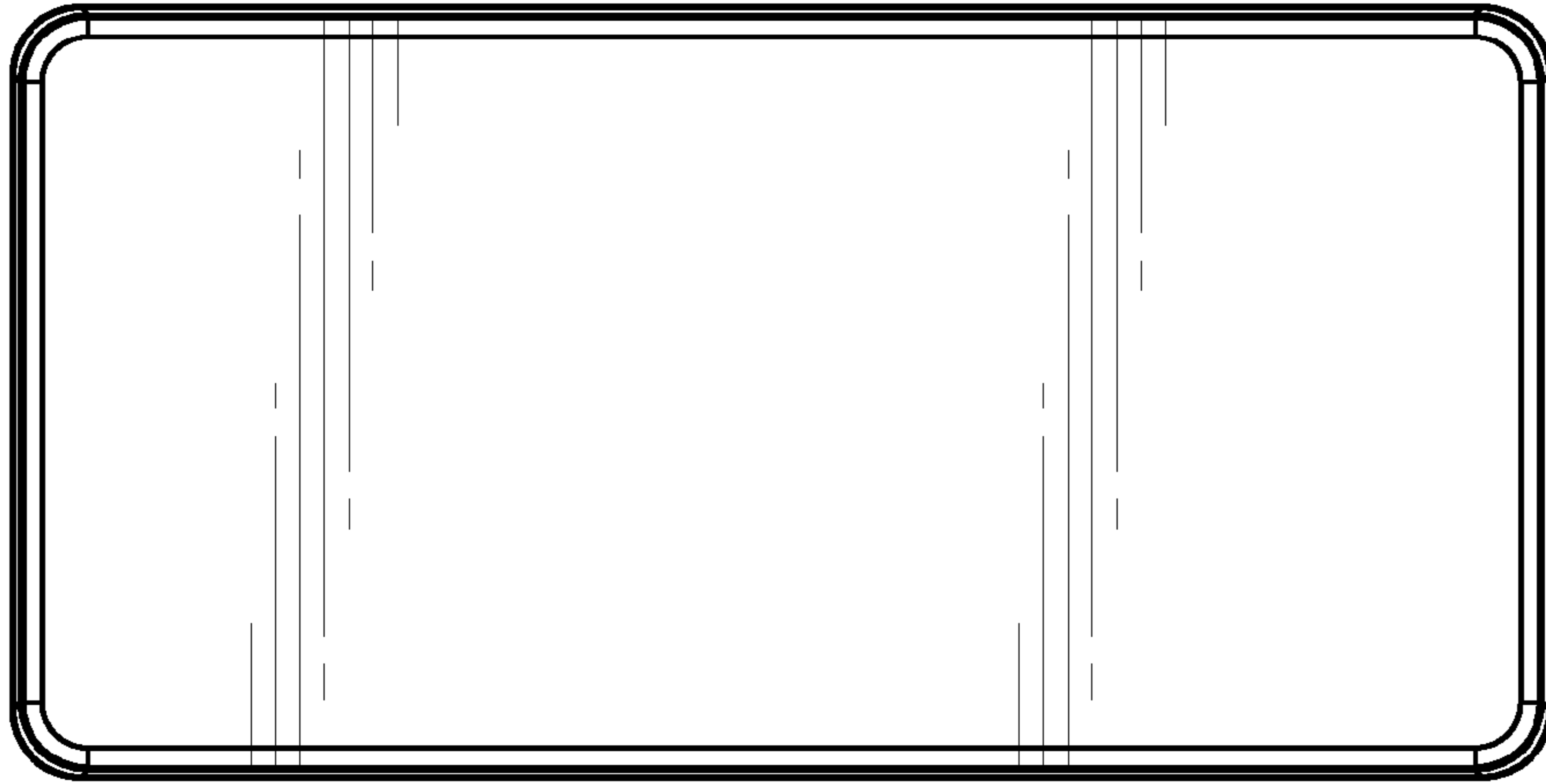


FIG. 6

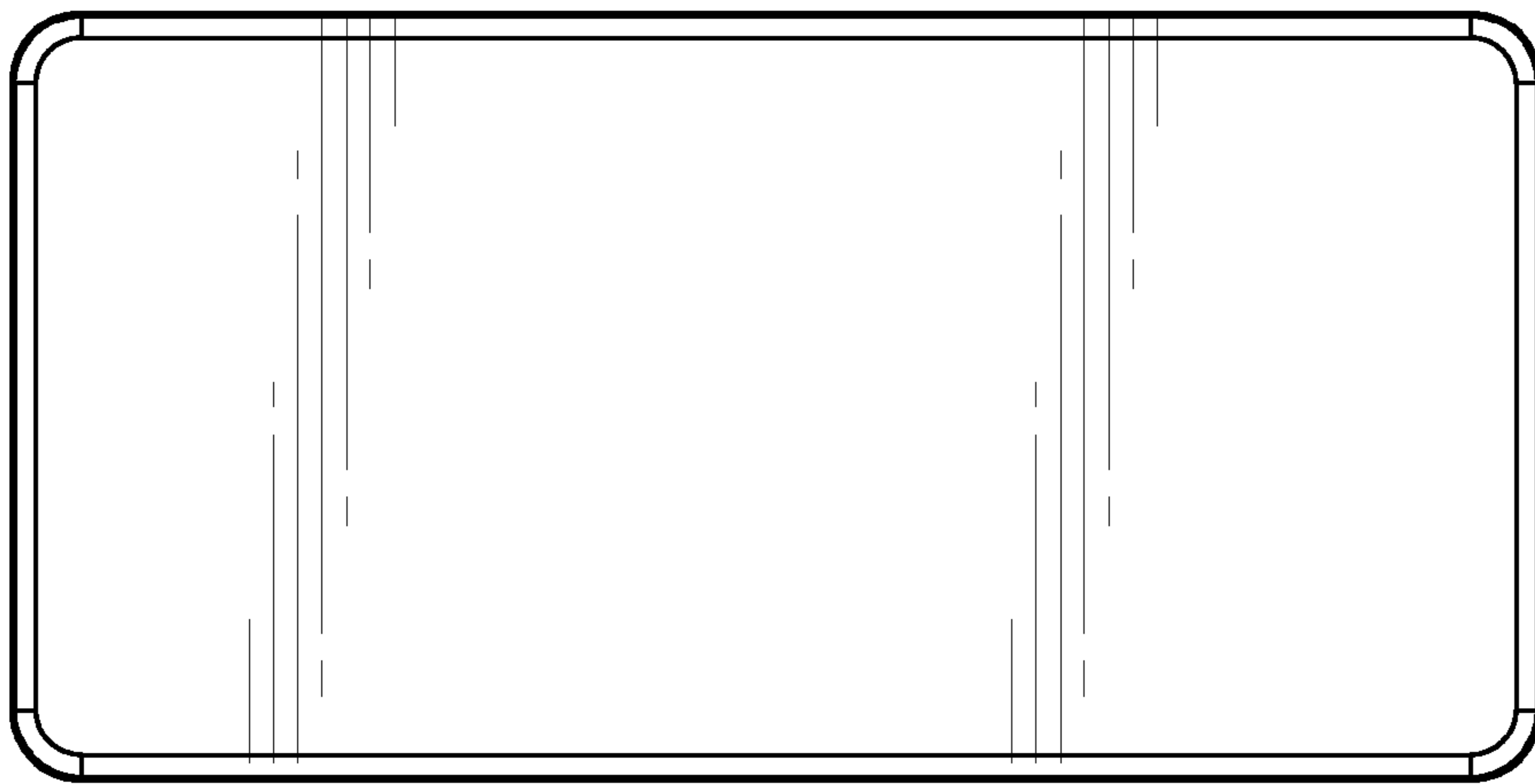


FIG. 7

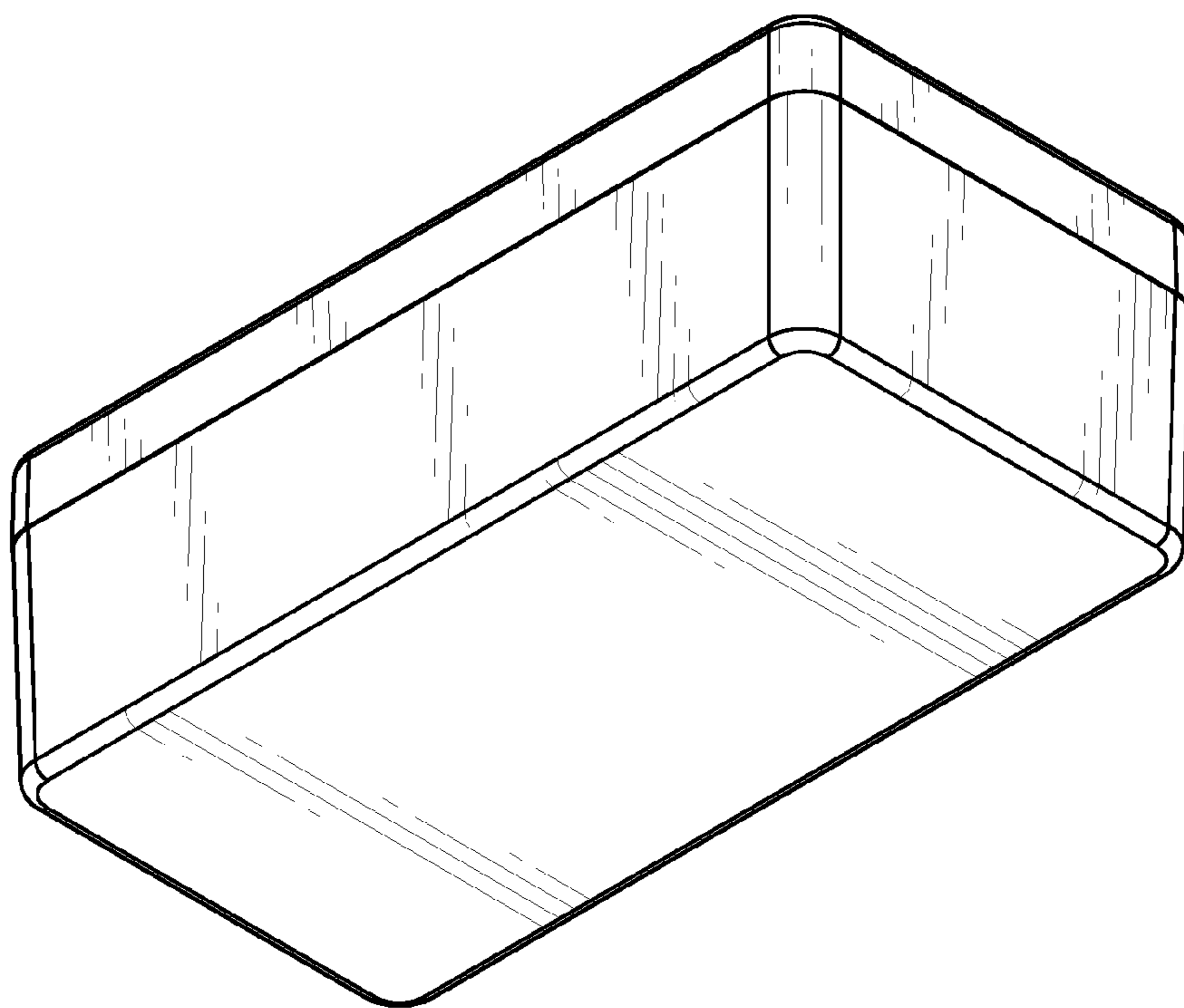


FIG.8

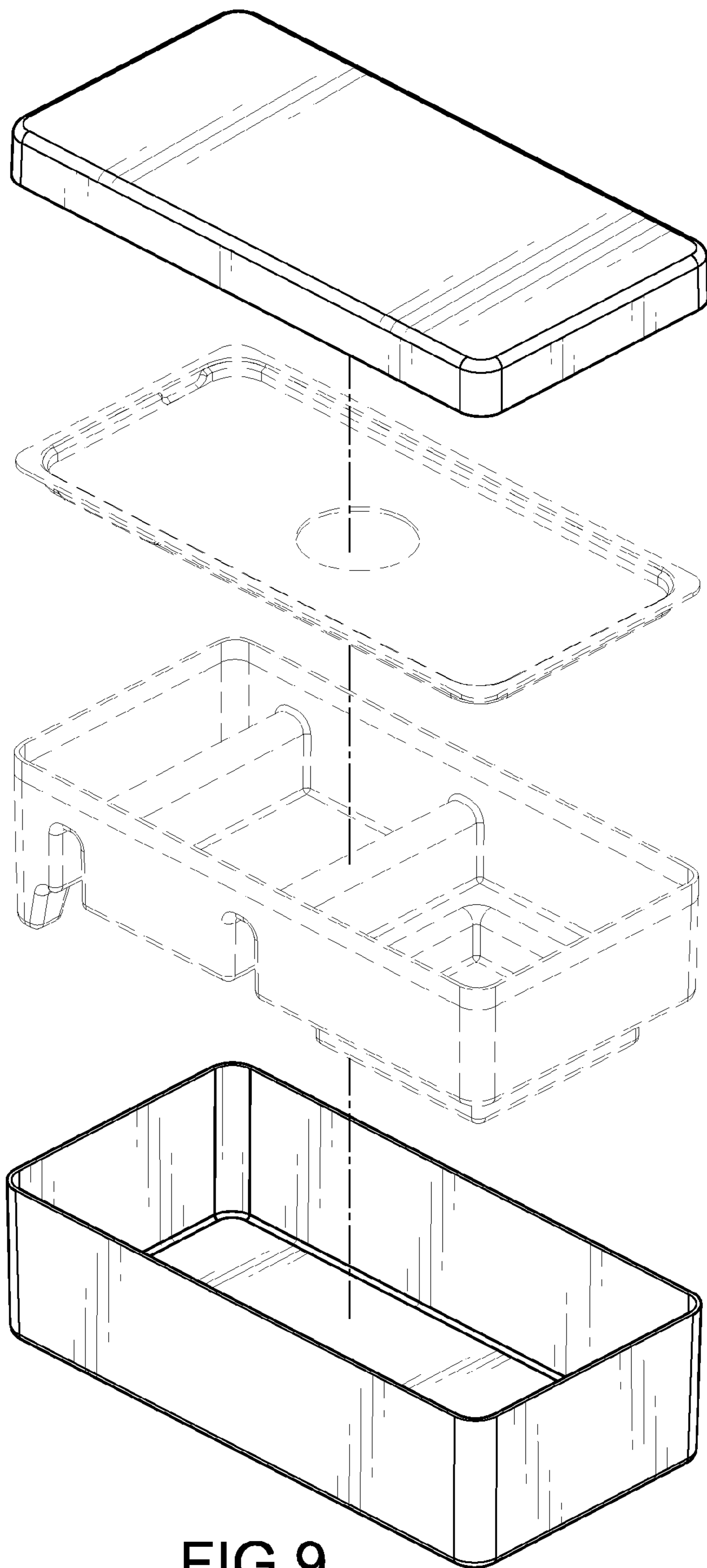


FIG.9