



US00D686489S

(12) **United States Design Patent**
Adams et al.

(10) **Patent No.:** **US D686,489 S**
(45) **Date of Patent:** **** Jul. 23, 2013**

(54) **TWO PIECE EXTENDABLE WREATH HOOK**

D347,379 S 5/1994 Alt
5,413,297 A 5/1995 Adams
D360,355 S 7/1995 Adams
D360,572 S 7/1995 Adams

(71) Applicant: **Adams Mfg. Corp.**, Portersville, PA
(US)

(Continued)

(72) Inventors: **William E. Adams**, Portersville, PA
(US); **Robert G. Schreiber**, Prospect,
PA (US); **John A. Fischer**, Slippery
Rock, PA (US); **William E. Adams, IV**,
Zelienople, PA (US); **Matthew French**,
Slippery Rock, PA (US)

Primary Examiner — Cynthia Underwood

(74) *Attorney, Agent, or Firm* — Buchanan Ingersoll &
Rooney PC

(73) Assignee: **Adams Mfg. Corp.**, Portersville, PA
(US)

(57) **CLAIM**

The ornamental design for a two piece extendable wreath
hook, as shown and described.

(**) Term: **14 Years**

DESCRIPTION

(21) Appl. No.: **29/443,238**

(22) Filed: **Jan. 15, 2013**

Related U.S. Application Data

(63) Continuation of application No. 29/390,269, filed on
Apr. 22, 2011.

(51) **LOC (9) Cl.** **08-05**

(52) **U.S. Cl.**
USPC **D8/367**

(58) **Field of Classification Search**
USPC D8/367, 373, 349, 354, 71, 356,
D8/330; 15/174; D32/54; D22/144; 220/495.1;
248/215, 222.11; 439/501; 70/421, 371, 369,
70/208

See application file for complete search history.

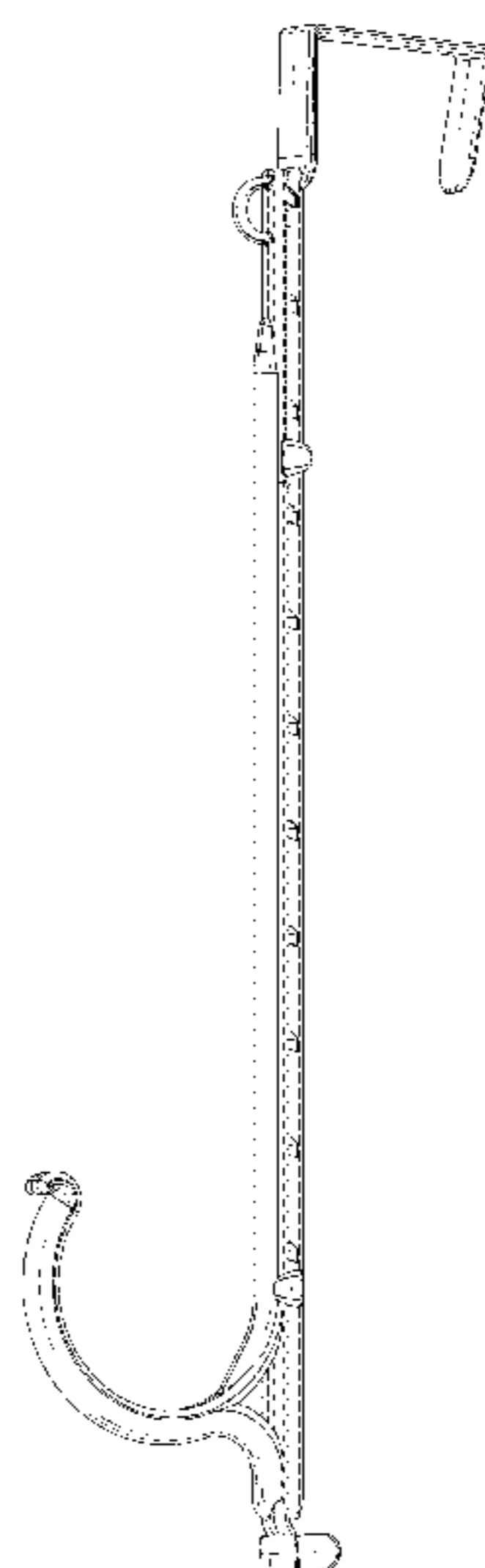
FIG. 1 is a right side view of our two piece extendable wreath
hook in an assembled retracted position, the left side view
being a mirror image thereof;
FIG. 2 is a rear view thereof;
FIG. 3 is a front view thereof;
FIG. 4 is a bottom view thereof;
FIG. 5 is a top view thereof;
FIG. 6 is a right side view of the rear part of our two piece
extendable wreath hook shown separated from the front part
for ease of illustration, the left side view being a mirror image
thereof;
FIG. 7 is a rear view thereof;
FIG. 8 is a front view thereof;
FIG. 9 is a top view thereof;
FIG. 10 is a bottom view thereof;
FIG. 11 is a right side view of the front part of our two piece
extendable wreath hook shown separated from the rear part
for ease of illustration, the left side view being the mirror
image thereof;
FIG. 12 is a front view thereof;
FIG. 13 is a rear view thereof;
FIG. 14 is a bottom view thereof;
FIG. 15 is a top view thereof; and,
FIG. 16 is a perspective view of our two piece extendable
wreath hook in an assembled retracted position.

(56) **References Cited**

U.S. PATENT DOCUMENTS

3,907,118 A 9/1975 Pelavin
D275,917 S 10/1984 Einhorn
D305,299 S 1/1990 Freeman
D336,842 S * 6/1993 Hampshire D8/372
D342,889 S 1/1994 Adams
D345,096 S 3/1994 Shapiro

1 Claim, 7 Drawing Sheets



US D686,489 S

Page 2

U.S. PATENT DOCUMENTS

D365,015 S	12/1995	Avinger		D549,565 S	8/2007	Cox et al.	
5,535,971 A	7/1996	Adams		D553,794 S	10/2007	Walker	
5,607,131 A	3/1997	Adams		D568,727 S	5/2008	Walker et al.	
5,779,206 A *	7/1998	Harris et al. 248/214	D609,556 S	2/2010	Adams	
6,575,416 B1	6/2003	Avinger		D621,243 S	8/2010	Hill	
6,854,610 B2	2/2005	Adams		7,887,017 B2	2/2011	Moran	
7,000,783 B2	2/2006	Webb		7,992,833 B1	8/2011	Goodman et al.	
7,185,864 B2	3/2007	Adams		2005/0189458 A1 *	9/2005	Avinger 248/301
7,207,088 B2	4/2007	Adams et al.		2007/0001088 A1 *	1/2007	Bowman 248/690
7,234,671 B2	6/2007	Avinger		2007/0205346 A1 *	9/2007	Jackson et al. 248/307
D549,083 S	8/2007	Barnett et al.					

* cited by examiner

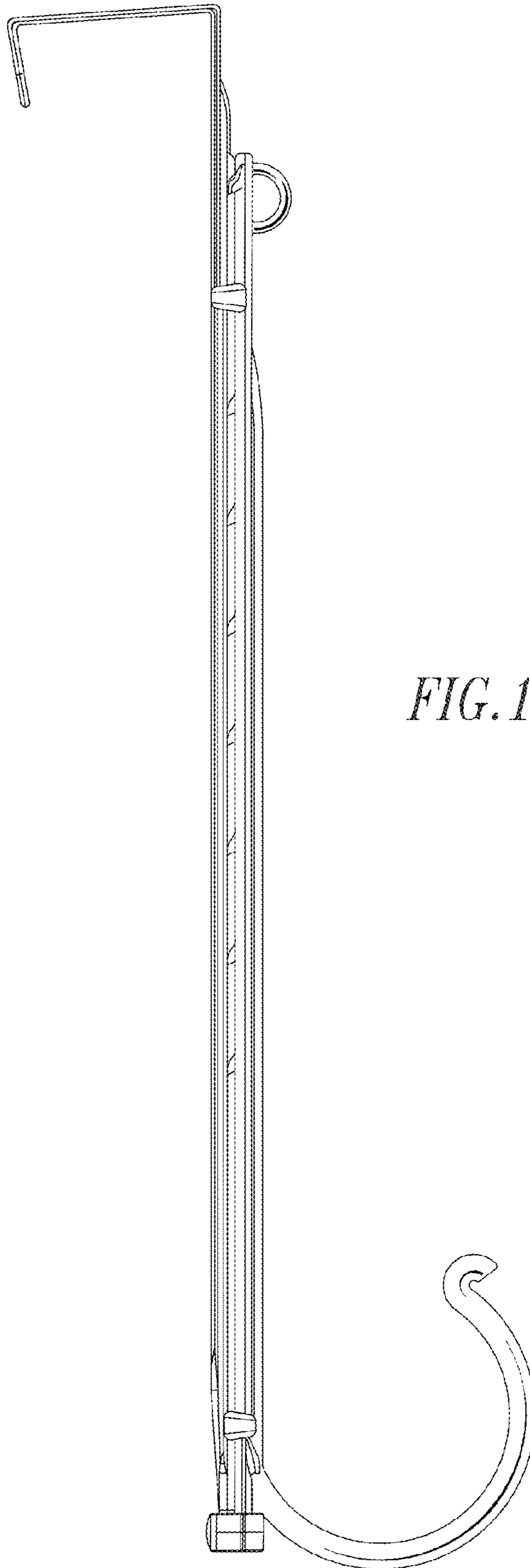


FIG. 1

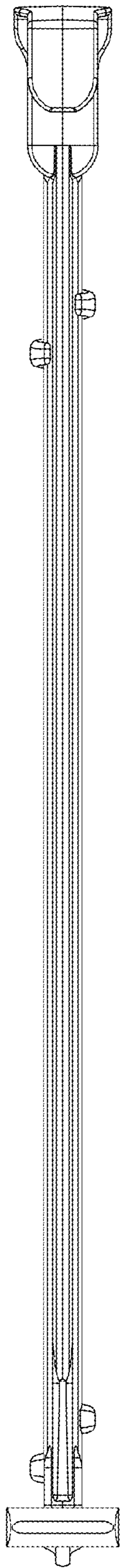


FIG. 2

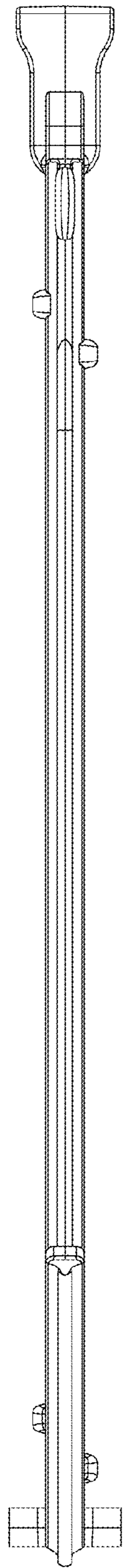


FIG. 3

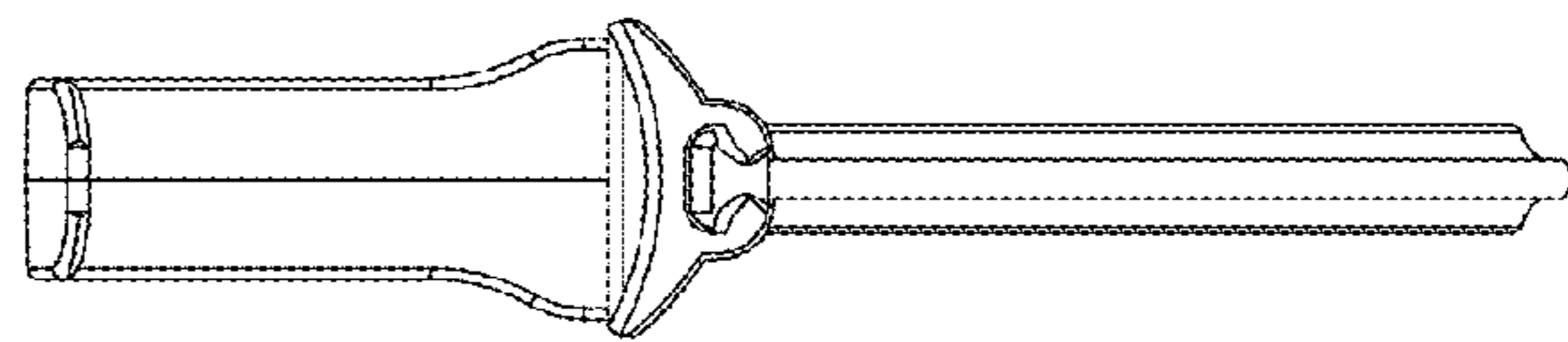


FIG. 4

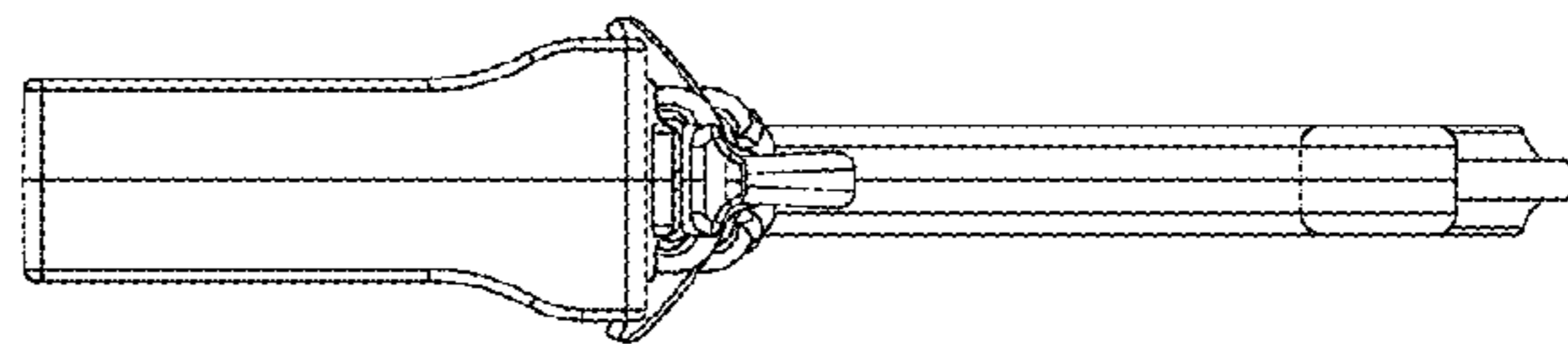


FIG. 5

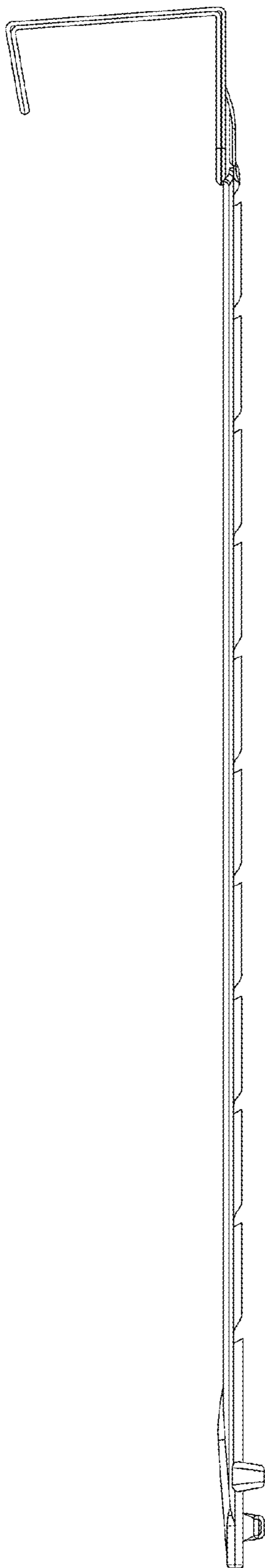


FIG. 6

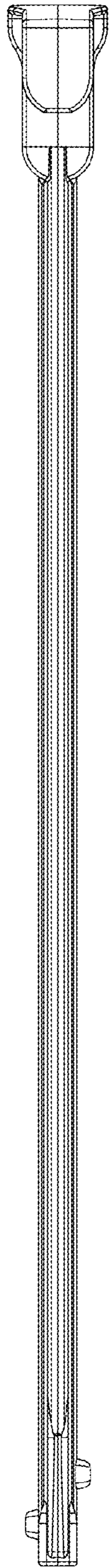


FIG. 7

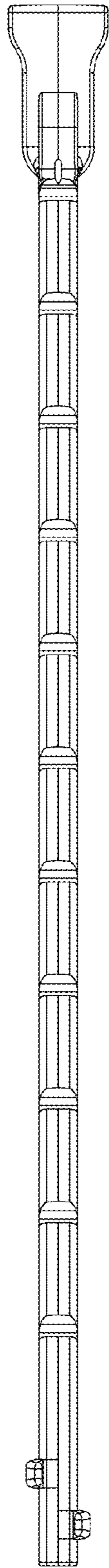


FIG. 8

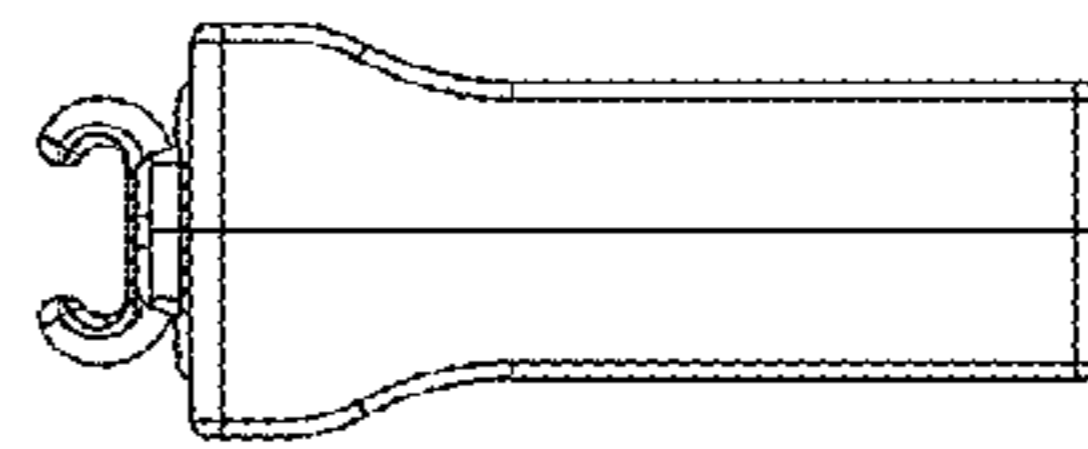


FIG. 9

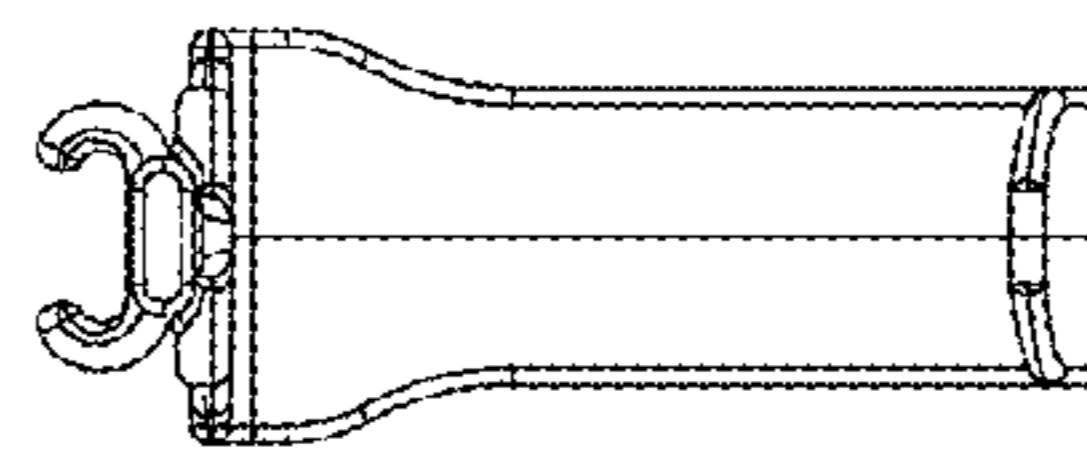


FIG. 10

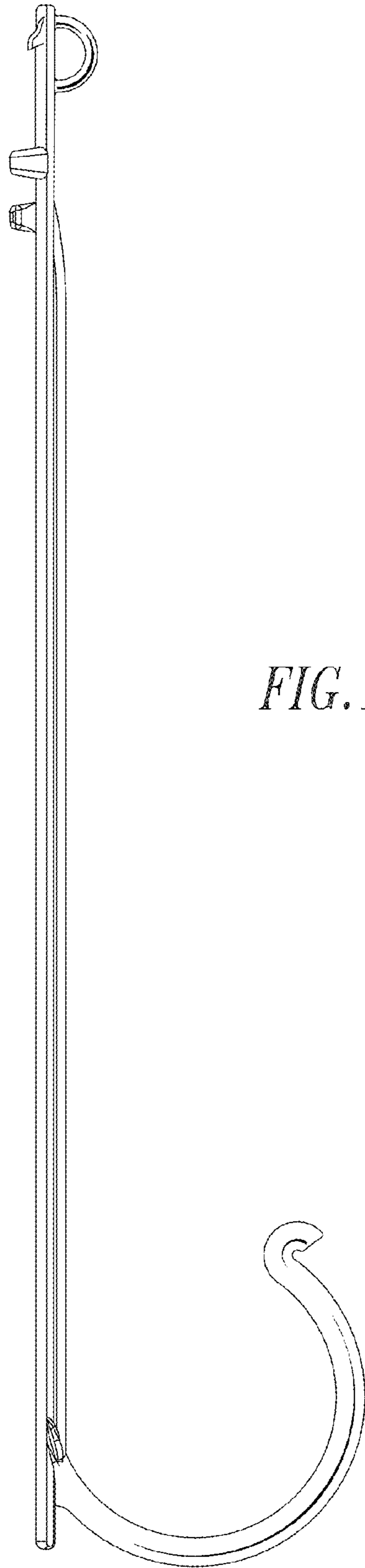


FIG. 11

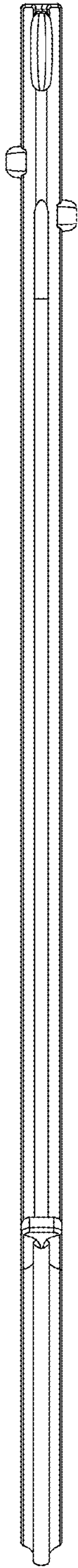


FIG. 12

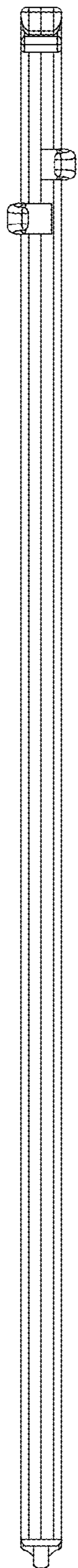


FIG. 13

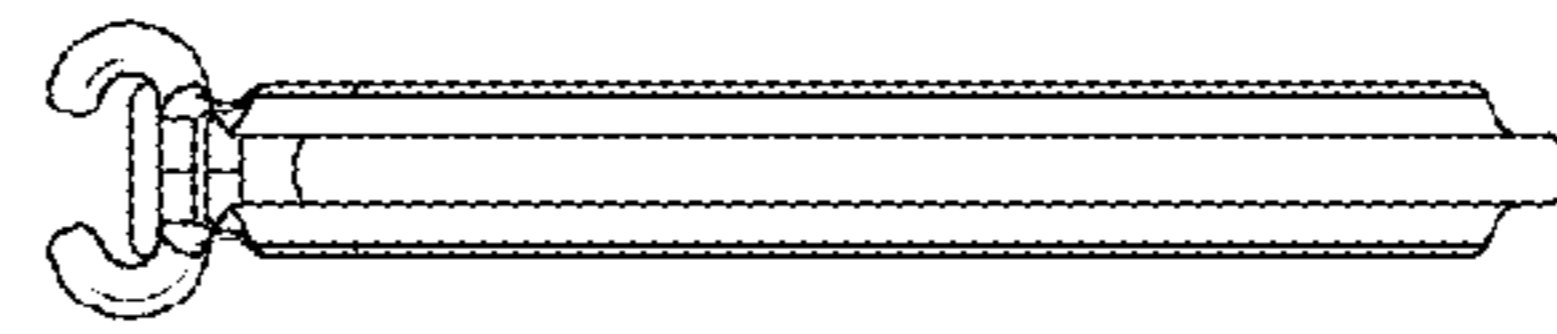


FIG. 14

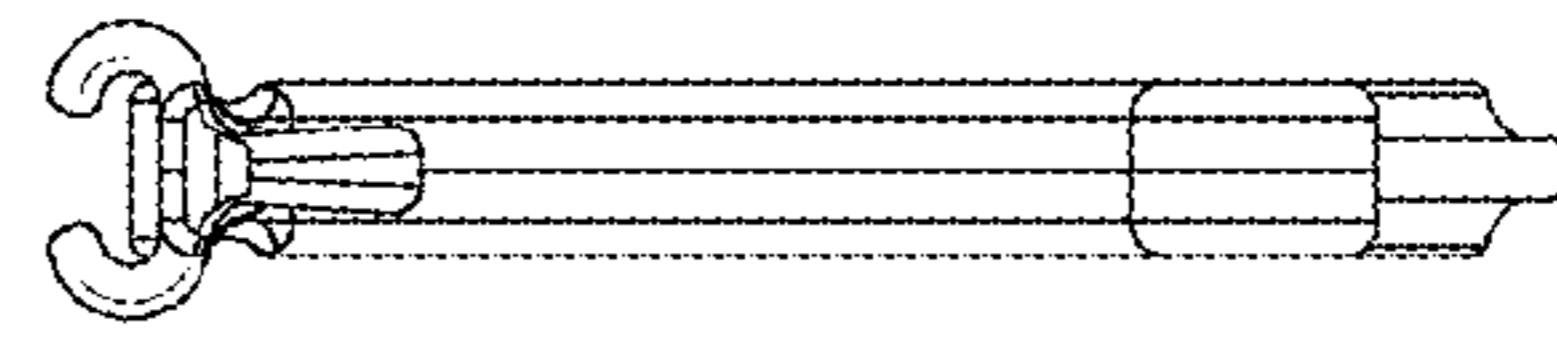


FIG. 15

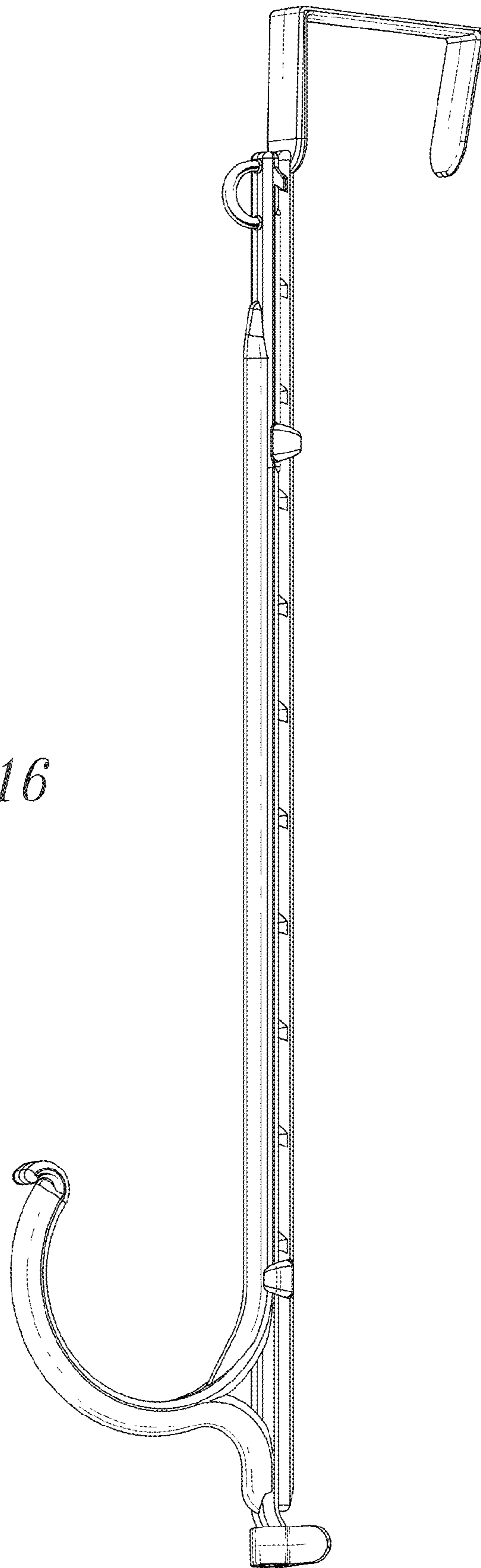


FIG. 16