



US00D686488S

(12) **United States Design Patent**
Abels

(10) **Patent No.:** **US D686,488 S**
(45) **Date of Patent:** **** Jul. 23, 2013**

(54) **CARABINER**

(75) Inventor: **David L. Abels**, Chapel Hill, NC (US)

(73) Assignee: **Four Strong Corporation**, Chapel Hill, NC (US)

(**) Term: **14 Years**

(21) Appl. No.: **29/431,710**

(22) Filed: **Sep. 10, 2012**

7,047,604	B2	5/2006	Axel	
7,097,223	B1 *	8/2006	Bradford	294/137
D527,988	S	9/2006	Shetler	
D528,406	S	9/2006	Kramer	
7,114,196	B1	10/2006	Cicio	
D545,180	S	6/2007	Harwanko	
7,249,475	B2	7/2007	Yu	
D565,392	S	4/2008	Shetler	
D572,573	S	7/2008	Abels	
D590,237	S	4/2009	Parisi et al.	
D613,583	S	4/2010	Abels	

(Continued)

OTHER PUBLICATIONS

Absorbent, Ink., "Jumbo Carry-All Carabiner", Jun. 3, 2008, Publisher: Accessed online via <http://www.absorbentprinting.com/tools-and-knives/carabiners/carabiners/jumbo-carry-all-carabiner>.

(Continued)

Primary Examiner — Cynthia Underwood

(74) *Attorney, Agent, or Firm* — Vincent K. Gustafson; Jenkins, Wilson, Taylor & Hunt, P.A.

(57)

CLAIM

The ornamental design for a carabiner, as shown and described.

DESCRIPTION

FIG. 1 is a perspective view of a carabiner showing my new design;

FIG. 2 is a front elevation view of the carabiner; the rear elevation view of the carabiner is a mirror image of the front elevation view shown in FIG. 2;

FIG. 3 is a top plan view of the carabiner;

FIG. 4 is a bottom plan view of the carabiner;

FIG. 5 is a left side elevation view of the carabiner; and,

FIG. 6 is a right side elevation view of the carabiner.

1 Claim, 4 Drawing Sheets

Related U.S. Application Data

(62) Division of application No. 29/415,731, filed on Mar. 13, 2012, now Pat. No. Des. 669,763.

(51) **LOC (9) Cl.** **08-05**

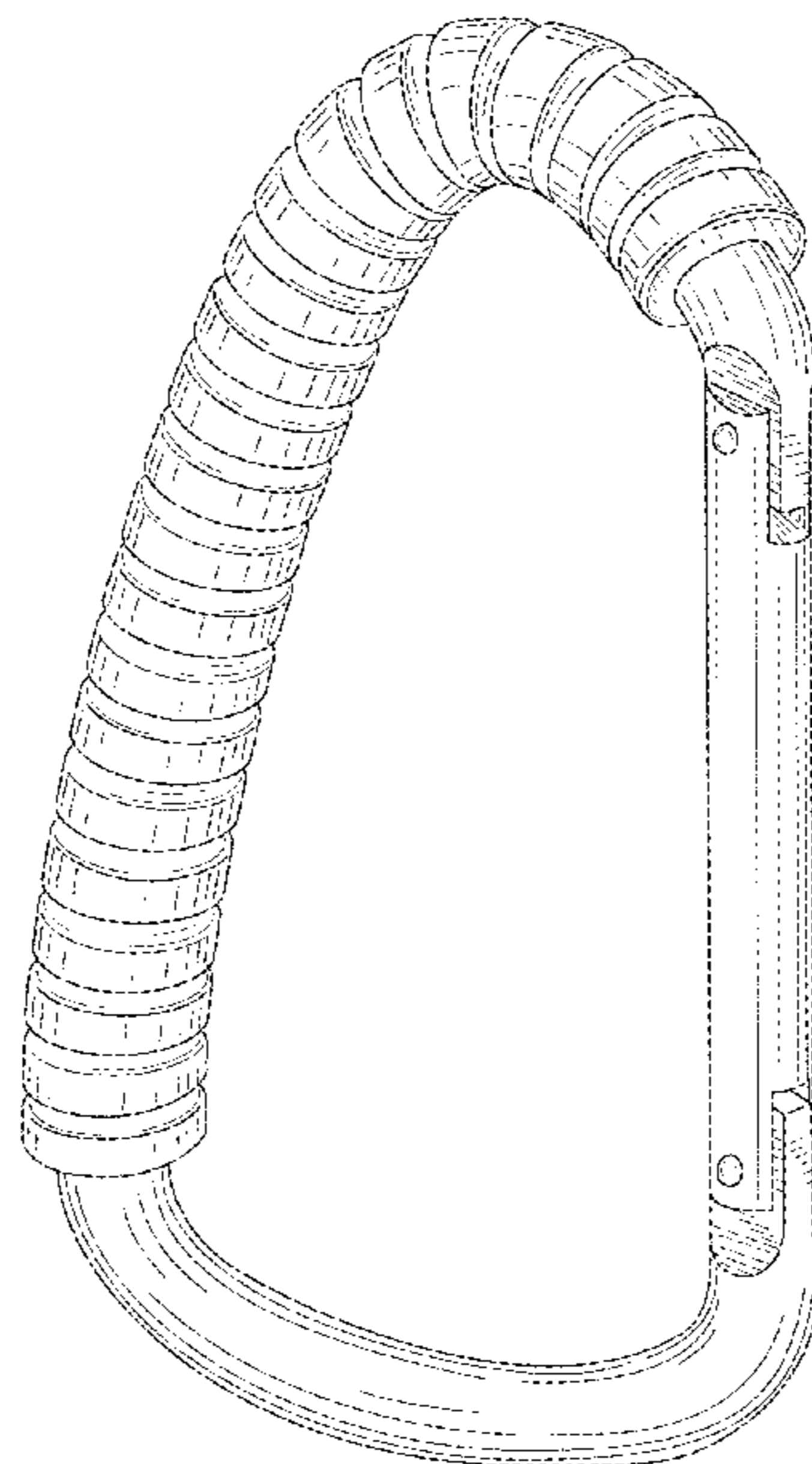
(52) **U.S. Cl.**
USPC **D8/356**

(58) **Field of Classification Search**
USPC D8/367, 371, 373, 354–356, 349; D6/323; 248/215, 301, 339, 349.1; 160/349.1, 349.2; 24/265 H, 265 R, 599.1, 599.8, 113 R, 573.5; 294/82.18; 29/525.1, 45.3; D3/24; 223/106
See application file for complete search history.

(56) **References Cited**

U.S. PATENT DOCUMENTS

3,563,430	A	2/1971	Forrest	
4,095,316	A	6/1978	Gabriel	
5,005,266	A	4/1991	Fister et al.	
D350,279	S *	9/1994	Tate	D8/373
5,441,323	A	8/1995	Goddard	
D369,549	S	5/1996	Meyers et al.	
D375,252	S	11/1996	Serra Fabregas	
D439,144	S *	3/2001	Ho	D8/373
6,415,634	B2	7/2002	Luquire	
6,688,259	B2	2/2004	Axel	
D495,591	S *	9/2004	Clucas	D8/367



US D686,488 S

Page 2

U.S. PATENT DOCUMENTS

D614,937 S 5/2010 Kelleghan
D630,498 S * 1/2011 Kim D8/367
D630,932 S * 1/2011 Shumway D8/356
D631,331 S 1/2011 Kelleghan
D642,449 S 8/2011 Blaney
D668,527 S * 10/2012 Noumi et al. D8/356
D669,764 S * 10/2012 Kelleghan D8/356
2004/0231116 A1 11/2004 Goldberg
2005/0028331 A1 * 2/2005 Axel 24/599.1
2005/0229367 A1 10/2005 Thompson
2005/0246874 A1 11/2005 Hsu
2006/0087139 A1 * 4/2006 Ayres 294/137
2006/0137151 A1 6/2006 Thompson
2006/0168781 A1 8/2006 Axel

2007/0062013 A1 3/2007 Mueller
2008/0022497 A1 1/2008 Thompson
2008/0209700 A1 * 9/2008 Goldberg 24/599.6

OTHER PUBLICATIONS

Ebay Online Auction, "Lightweight Green Carabiner with Foam Handle", Feb. 14, 2007, Publisher: Accessed Online at: http://cgi.ebay.com/lightweight-green-carabiner-with-foamhandle_W0QQitemZ220092256791QQihZ012QQcategoryZ50814QQrd-Z1QQcmdZViewItem.
Home Depot, "Workforce Hangalls Jumbo Carabiner", May 15, 2008.
Eddie Bauer, "Hook-N-Go" stroller hook photograph, Feb. 22, 2012.
Design U.S. Appl. No. 29/415,731, filed Jun. 21, 2012.

* cited by examiner

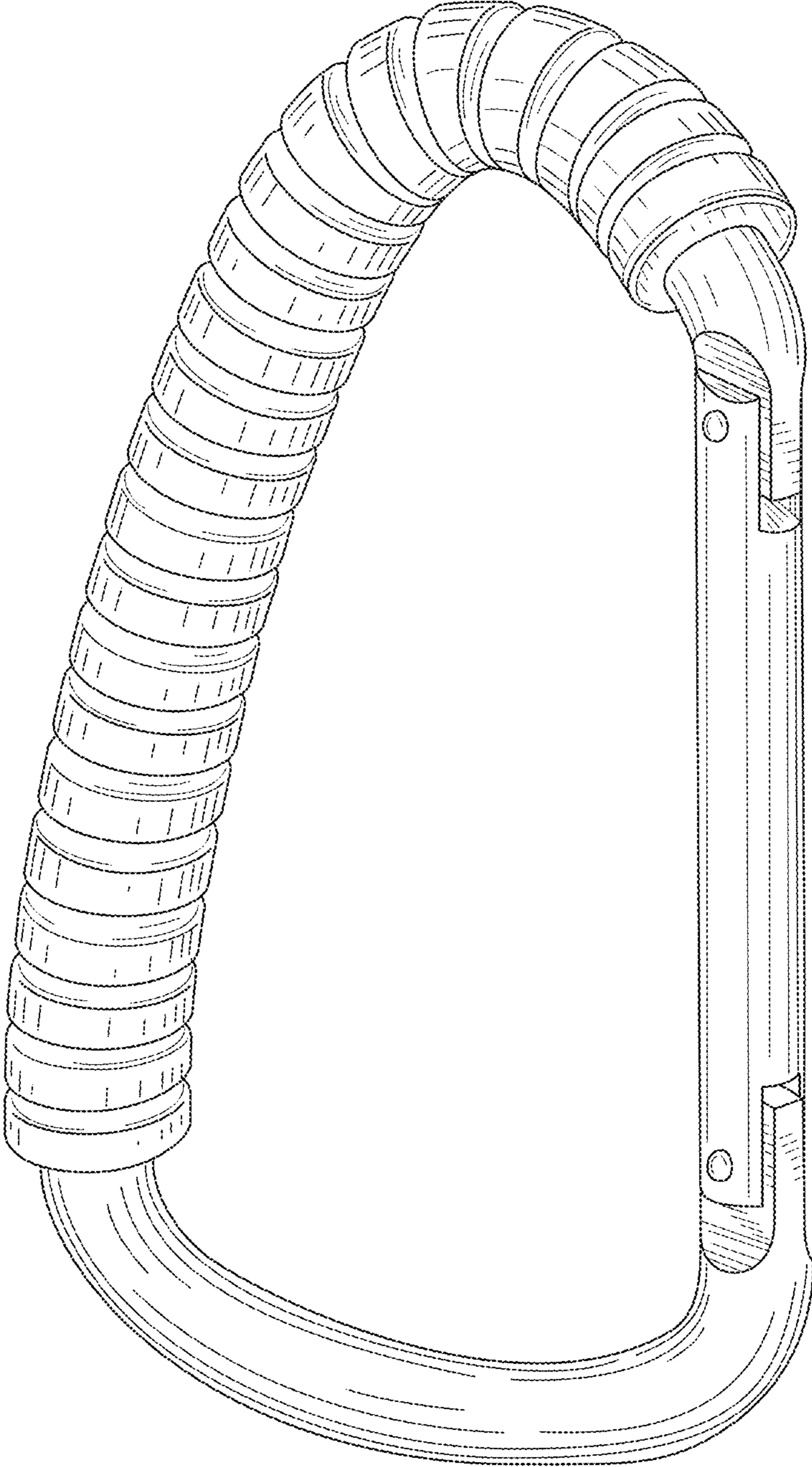


FIG. 1

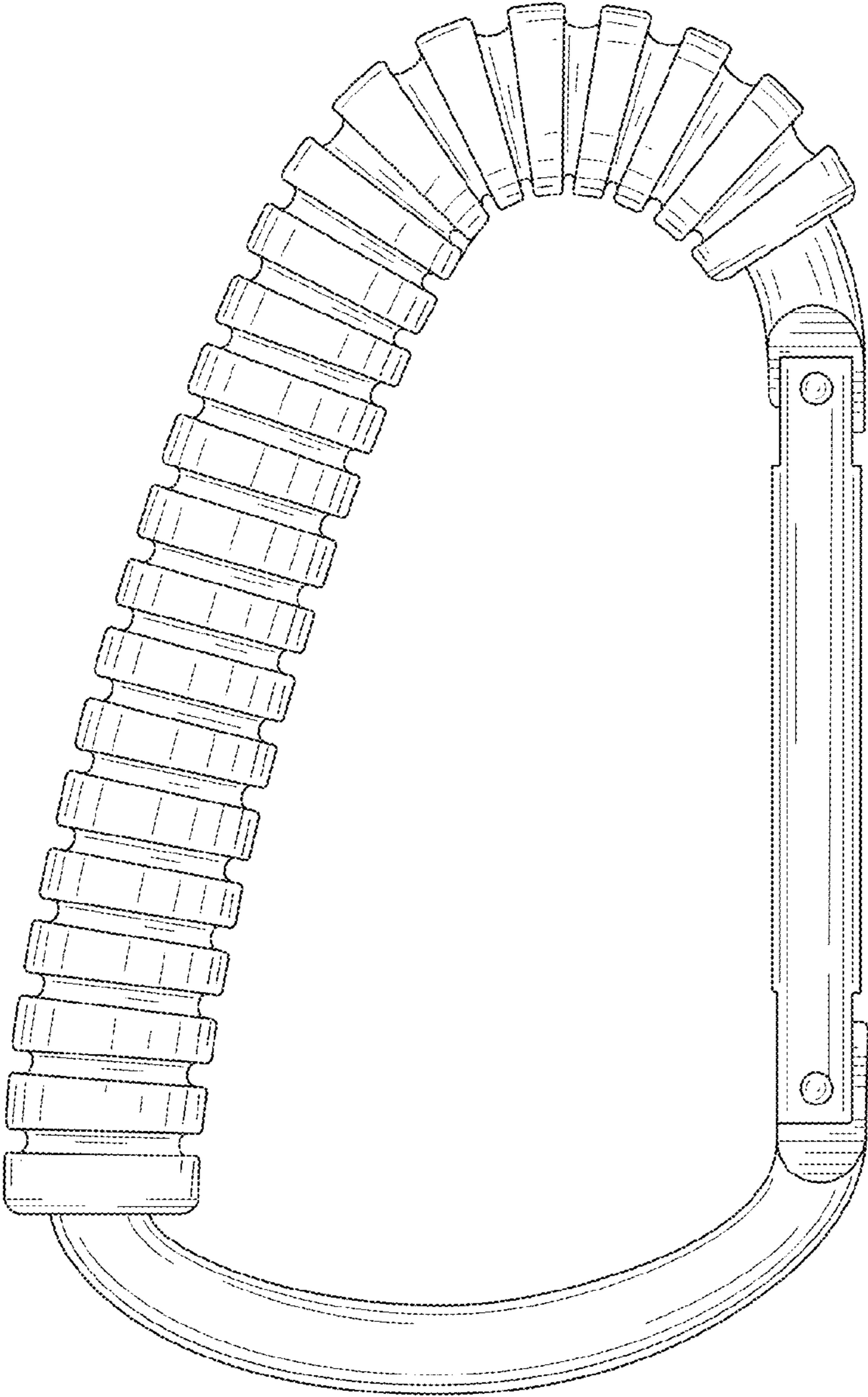


FIG. 2

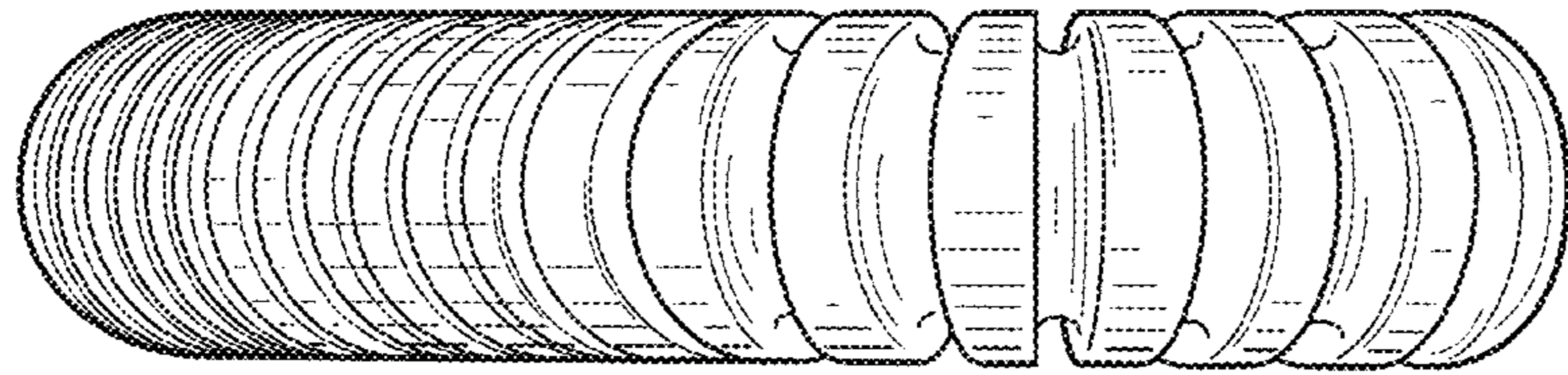


FIG. 3

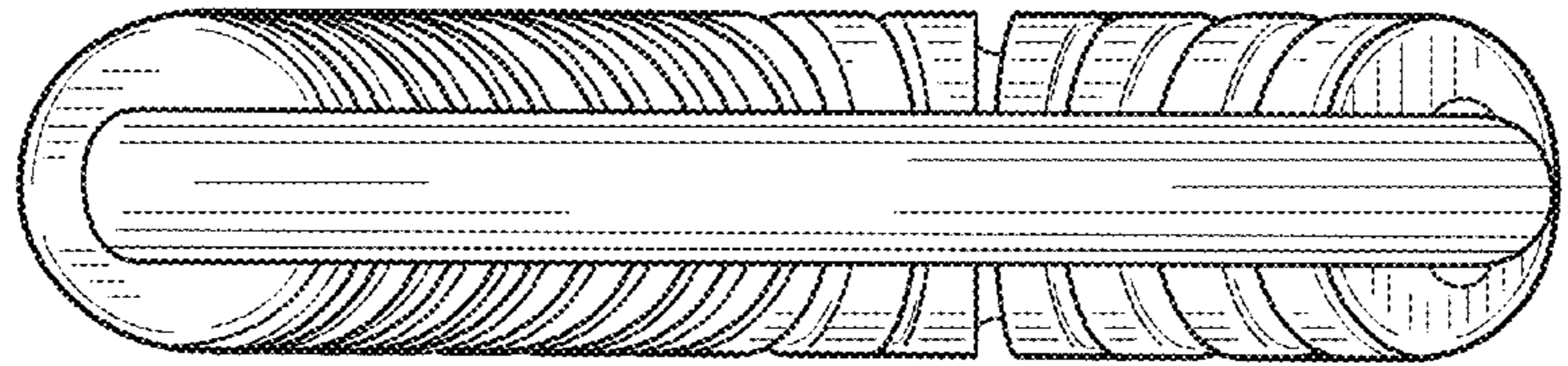


FIG. 4

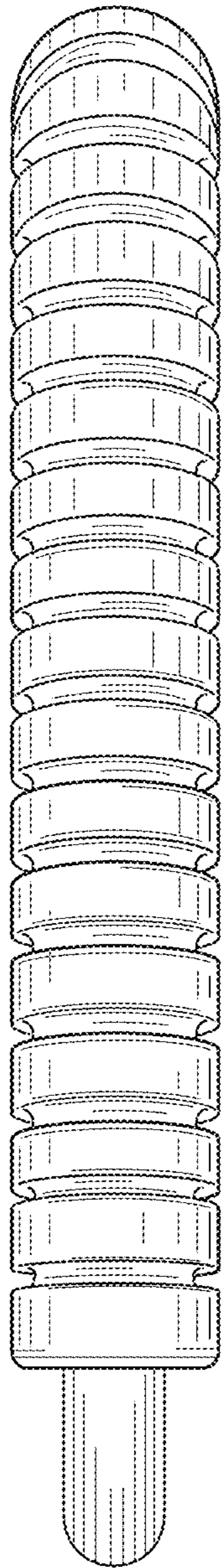


FIG. 5

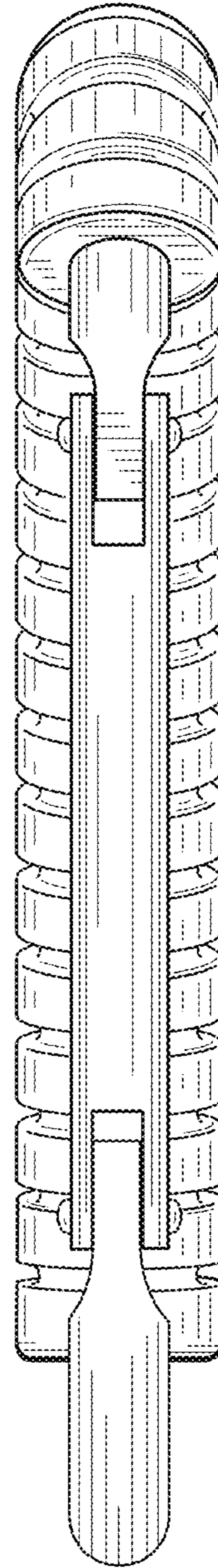


FIG. 6