



US00D686487S

(12) **United States Design Patent**
Handa et al.

(10) **Patent No.:** **US D686,487 S**
(45) **Date of Patent:** **** Jul. 23, 2013**

(54) **GROMMET**

(75) Inventors: **Kazuya Handa**, Utsunomiya (JP);
Mitsuhide Dempo, Utsunomiya (JP)

(73) Assignee: **Nifco Inc.**, Yokohama (JP)

(**) Term: **14 Years**

(21) Appl. No.: **29/371,316**

(22) Filed: **Dec. 29, 2010**

(30) **Foreign Application Priority Data**

Jul. 1, 2010 (JP) 2010-016158

(51) **LOC (9) Cl.** **08-05**

(52) **U.S. Cl.**
USPC **D8/356**

(58) **Field of Classification Search**
USPC ... D8/356, 354, 367, 349, 330, 383; 439/501;
70/421, 371, 369, 208; 248/68.1; D13/155
See application file for complete search history.

(56) **References Cited**

U.S. PATENT DOCUMENTS

D293,882 S *	1/1988	Takahashi	D8/386
D374,610 S *	10/1996	Shimazu	D8/382
D390,776 S *	2/1998	Ueno	D8/382
D456,699 S *	5/2002	Nakanishi	D8/382
D498,414 S *	11/2004	Yoneoka	D8/382
6,910,840 B2 *	6/2005	Anscher	411/41
D566,535 S *	4/2008	Asano et al.	D8/382
D589,333 S *	3/2009	Nakazato	D8/382
D617,178 S *	6/2010	Sakai	D8/382
D625,587 S *	10/2010	Obuchi et al.	D8/382
D632,550 S *	2/2011	Watanabe	D8/382
2005/0244250 A1 *	11/2005	Okada et al.	411/508

* cited by examiner

Primary Examiner — Cynthia Underwood

(74) *Attorney, Agent, or Firm* — Manabu Kanesaka

(57) **CLAIM**

The ornamental design for a grommet, as shown and described.

DESCRIPTION

FIG. 1 is a front view of a grommet showing our new design, a rear view being identical to the front view;

FIG. 2 is a plan view thereof;

FIG. 3 is a right side view thereof, a left side view being identical to the right side view;

FIG. 4 is a bottom view thereof;

FIG. 5 is a cross-sectional view thereof taken along line 5-5 in FIG. 2;

FIG. 6 is a cross-sectional view thereof taken along line 6-6 in FIG. 2;

FIG. 7 is a front view of an axial body of the grommet shown separated for ease of illustration with a rear view being identical to the front view;

FIG. 8 is a plan view thereof;

FIG. 9 is a right side view thereof, a left side view being identical to the right side view;

FIG. 10 is a bottom view thereof;

FIG. 11 is a cross-sectional view thereof along line 11-11 in FIG. 8;

FIG. 12 is a cross-sectional view thereof along line 12-12 in FIG. 8;

FIG. 13 is a front view of a main body of the grommet shown separated for ease of illustration with a rear view being identical to the front view;

FIG. 14 is a plan view thereof;

FIG. 15 is a right side view thereof, a left side view being identical to the right side view;

FIG. 16 is a bottom view thereof;

FIG. 17 is a cross-sectional view thereof along line 17-17 in FIG. 14;

FIG. 18 is a cross-sectional view thereof along line 18-18 in FIG. 7;

FIG. 19 is a cross-sectional view thereof along line 19-19 in FIG. 7; and,

FIG. 20 is a cross-sectional view thereof along line 20-20 in FIG. 10.

1 Claim, 7 Drawing Sheets

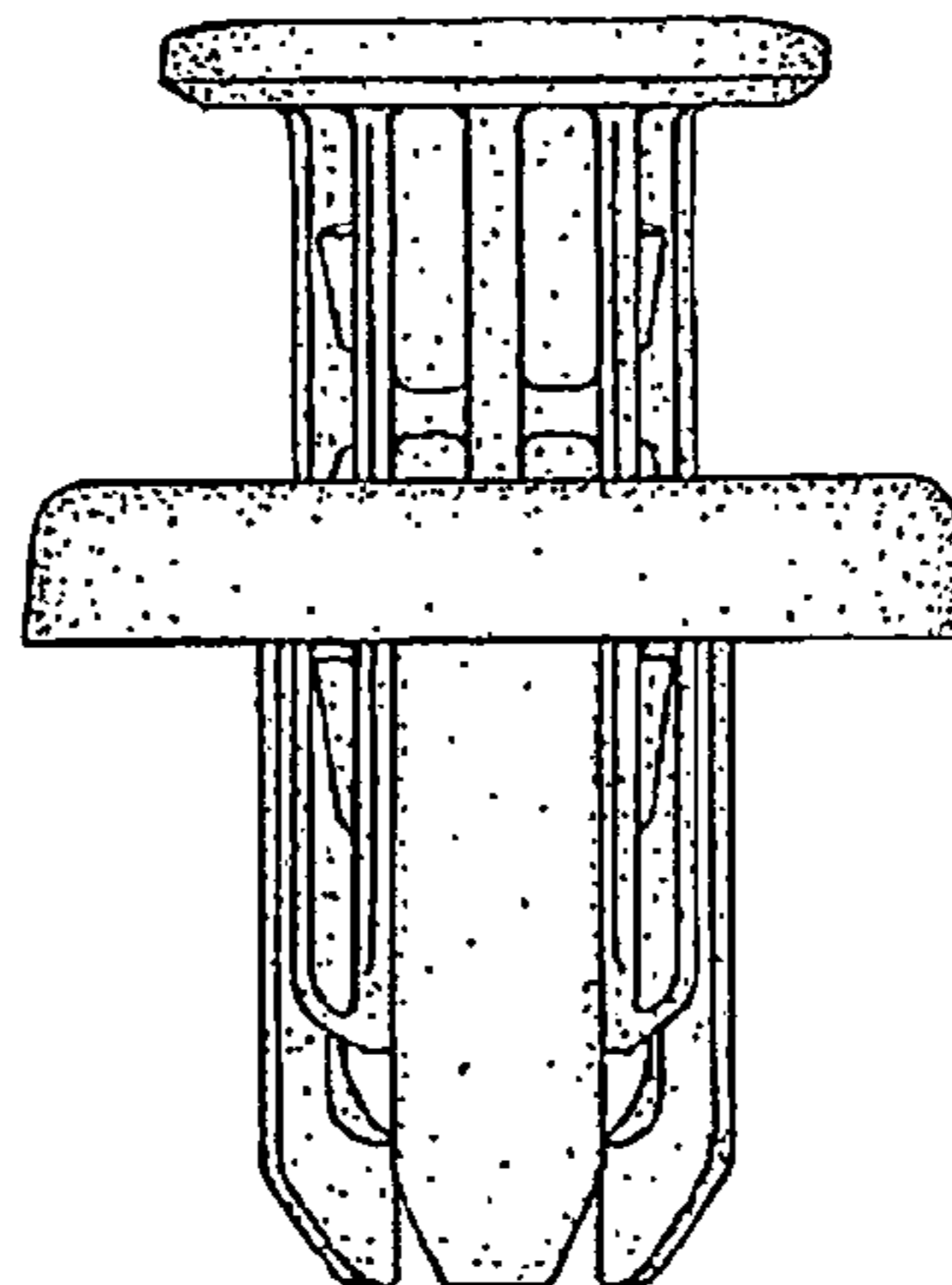


Fig. 1

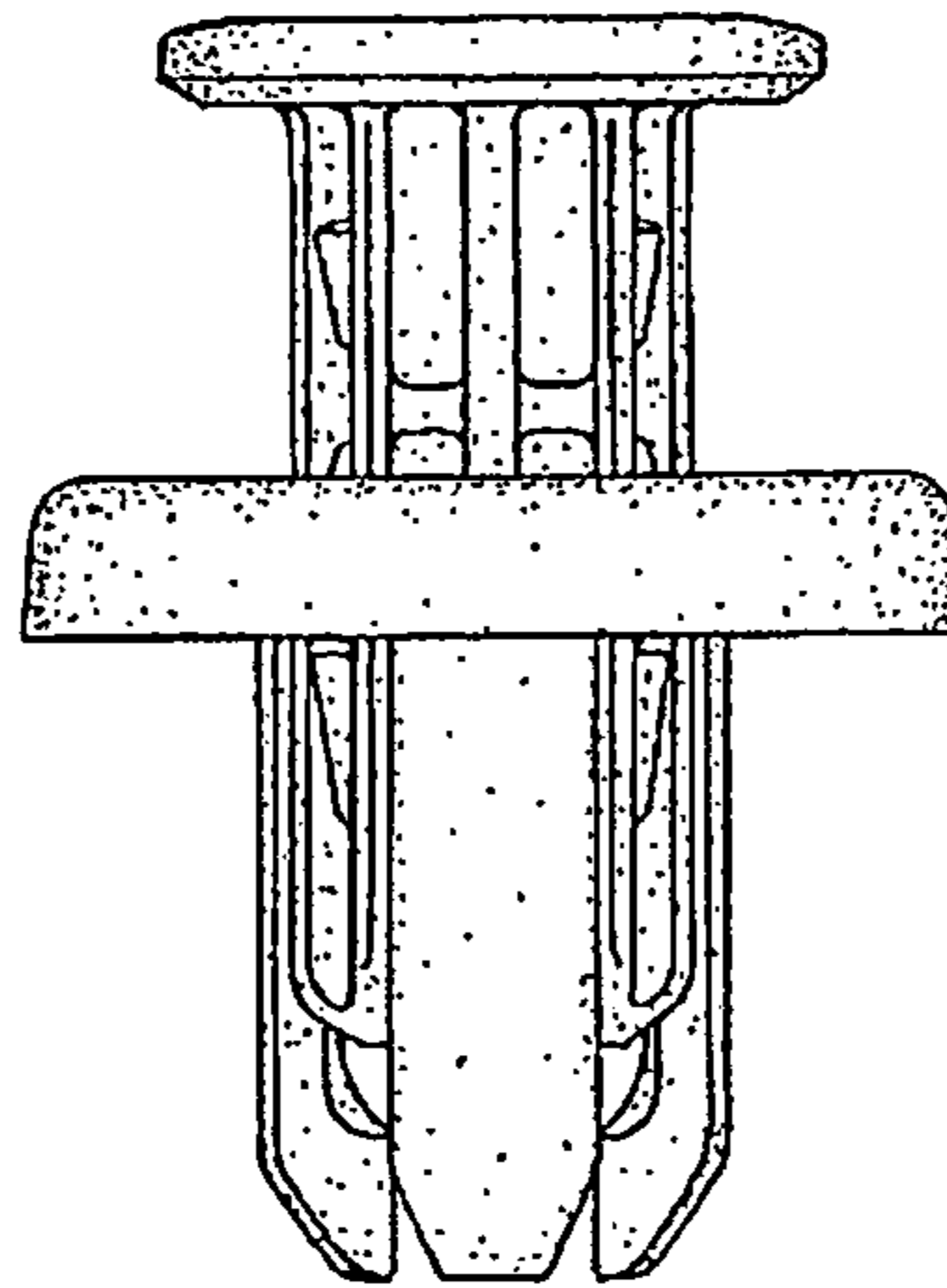


Fig. 2

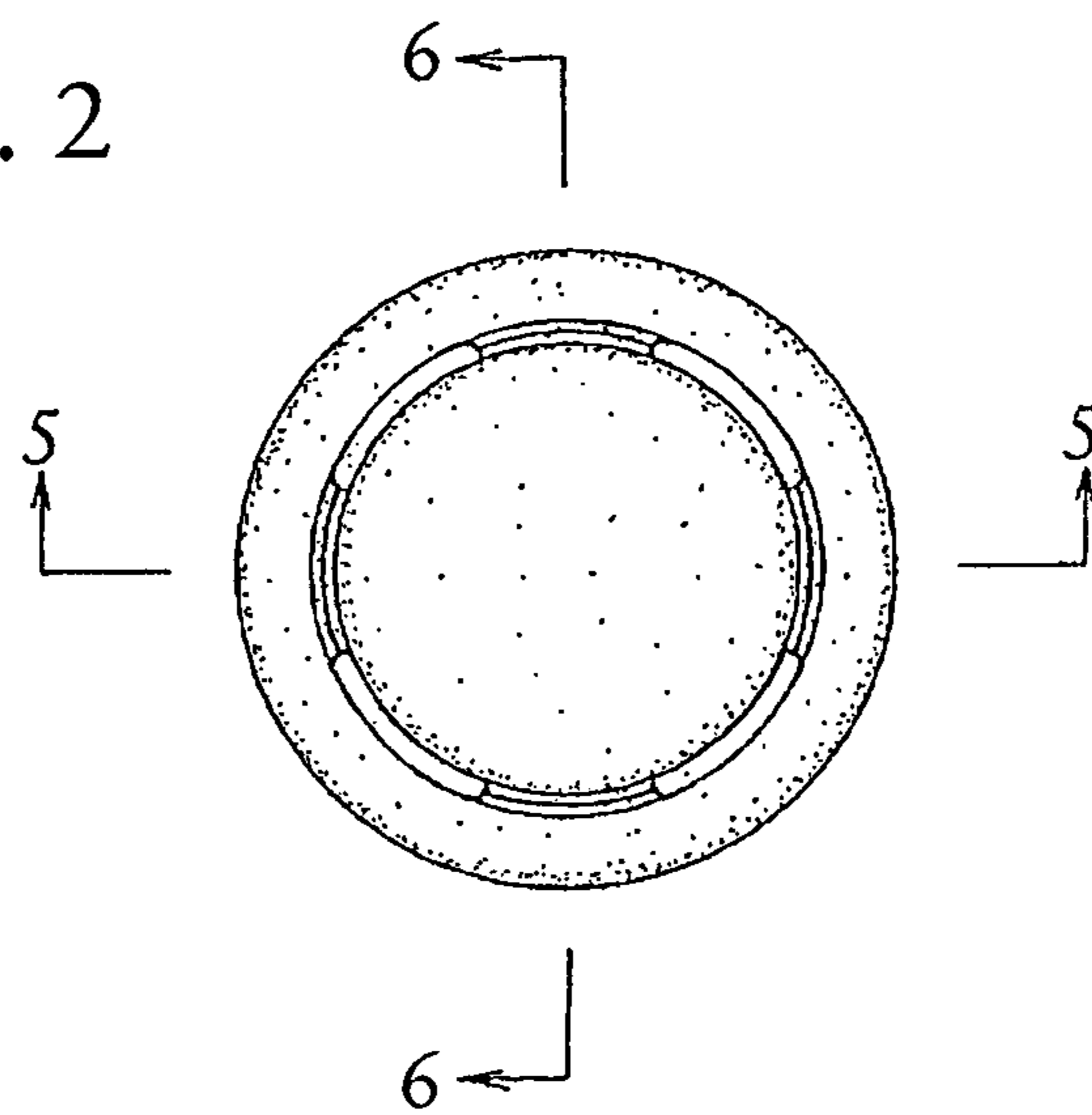


Fig. 3

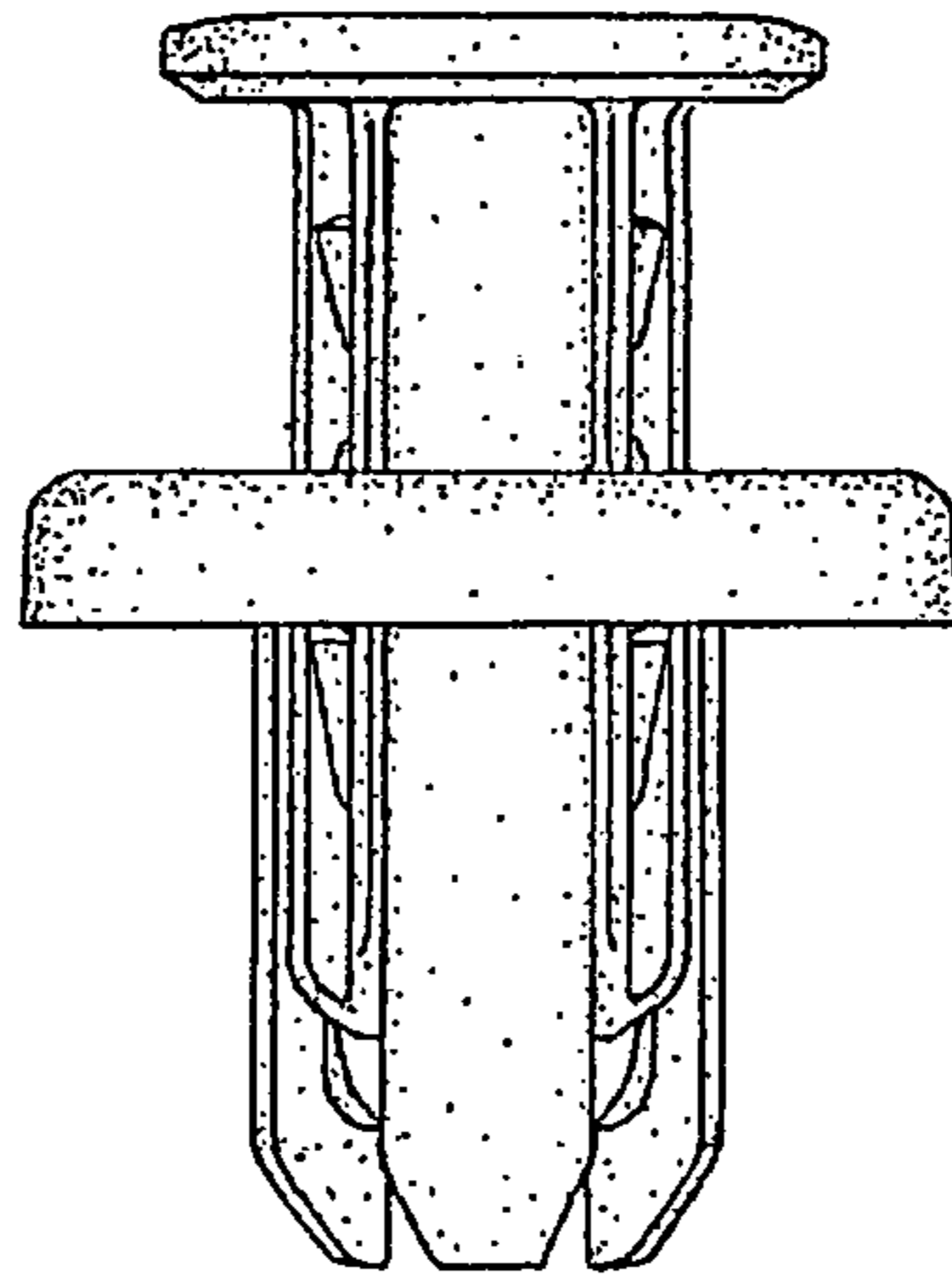


Fig. 4

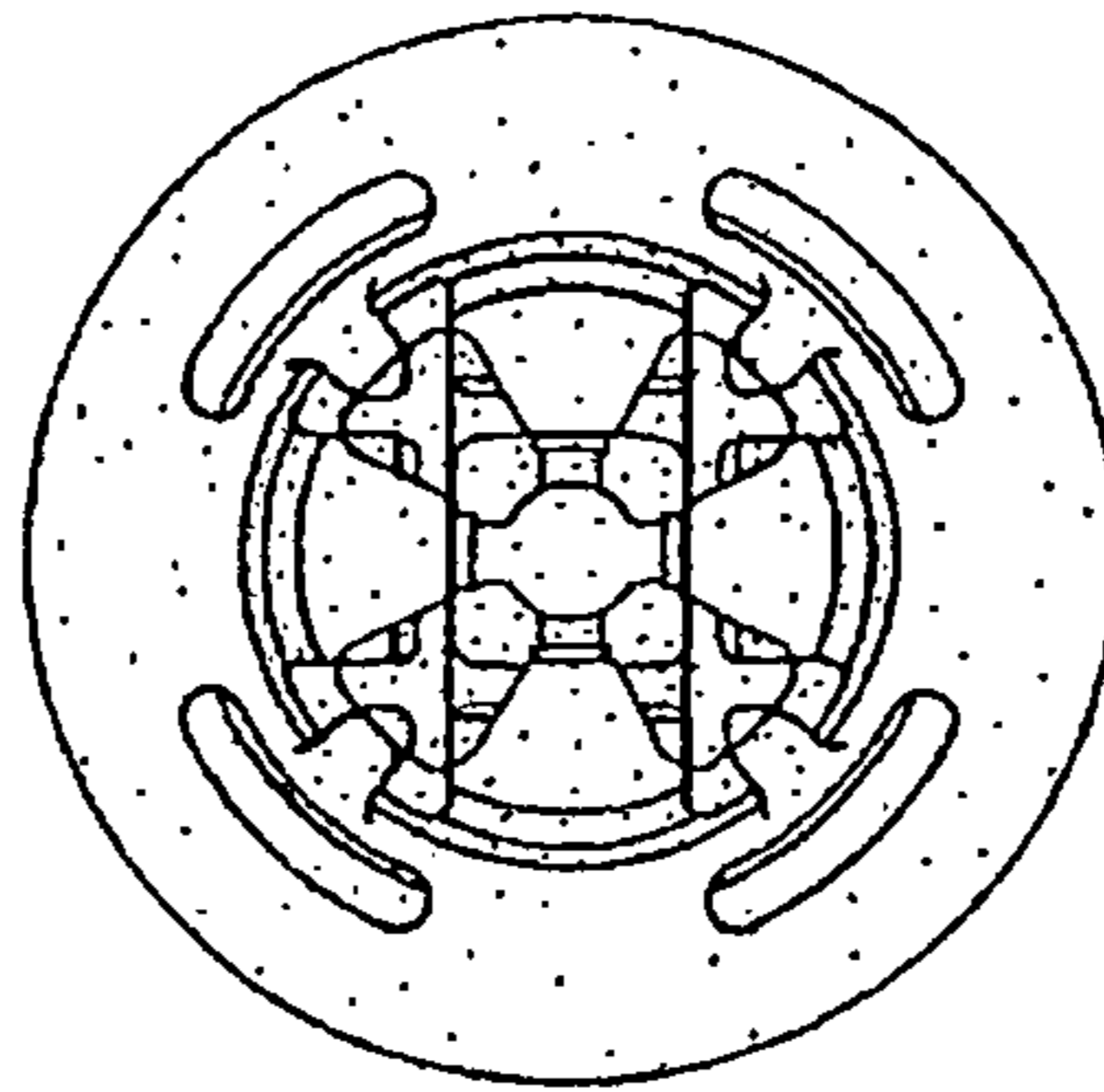


Fig. 5

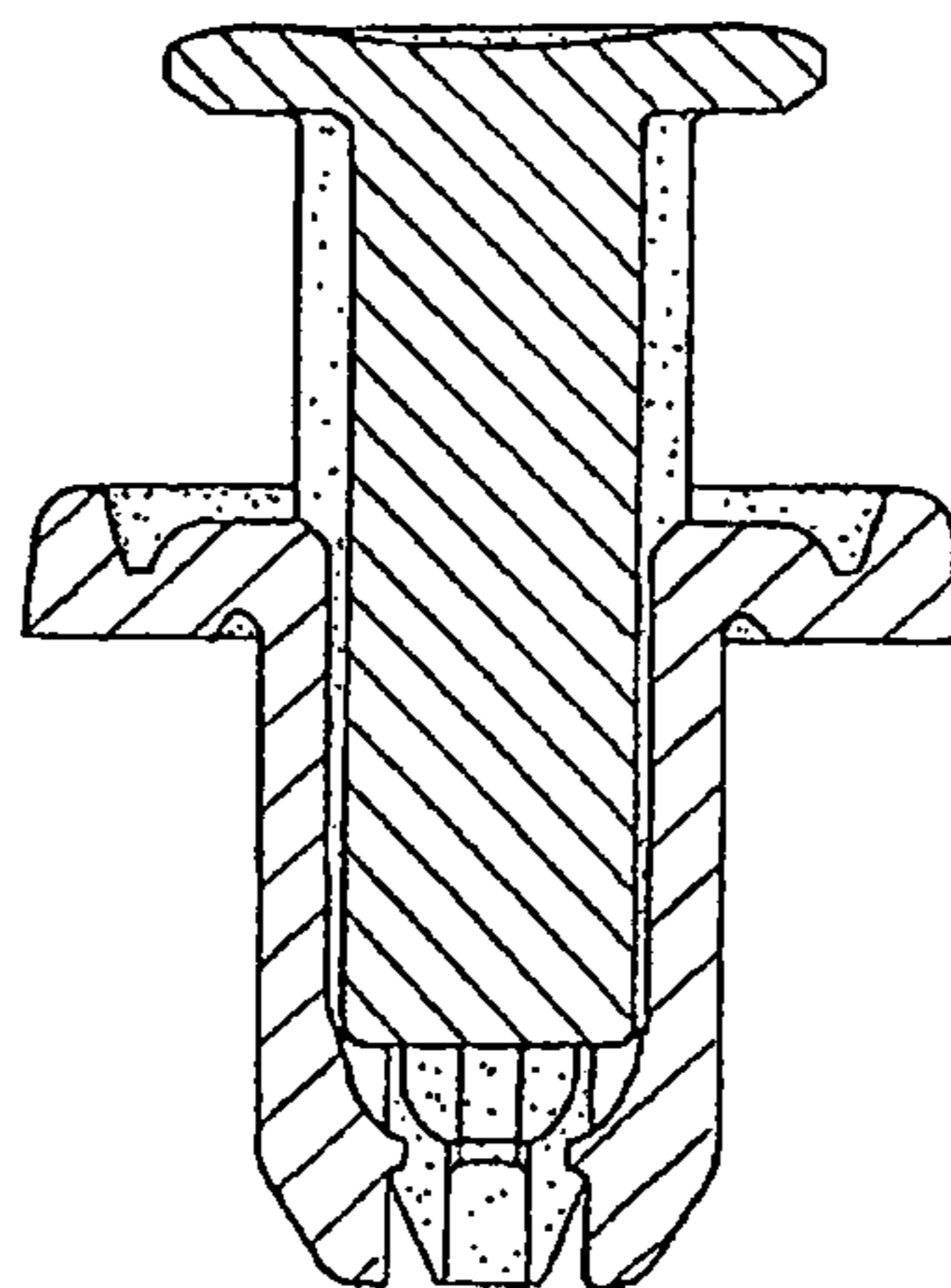


Fig. 6

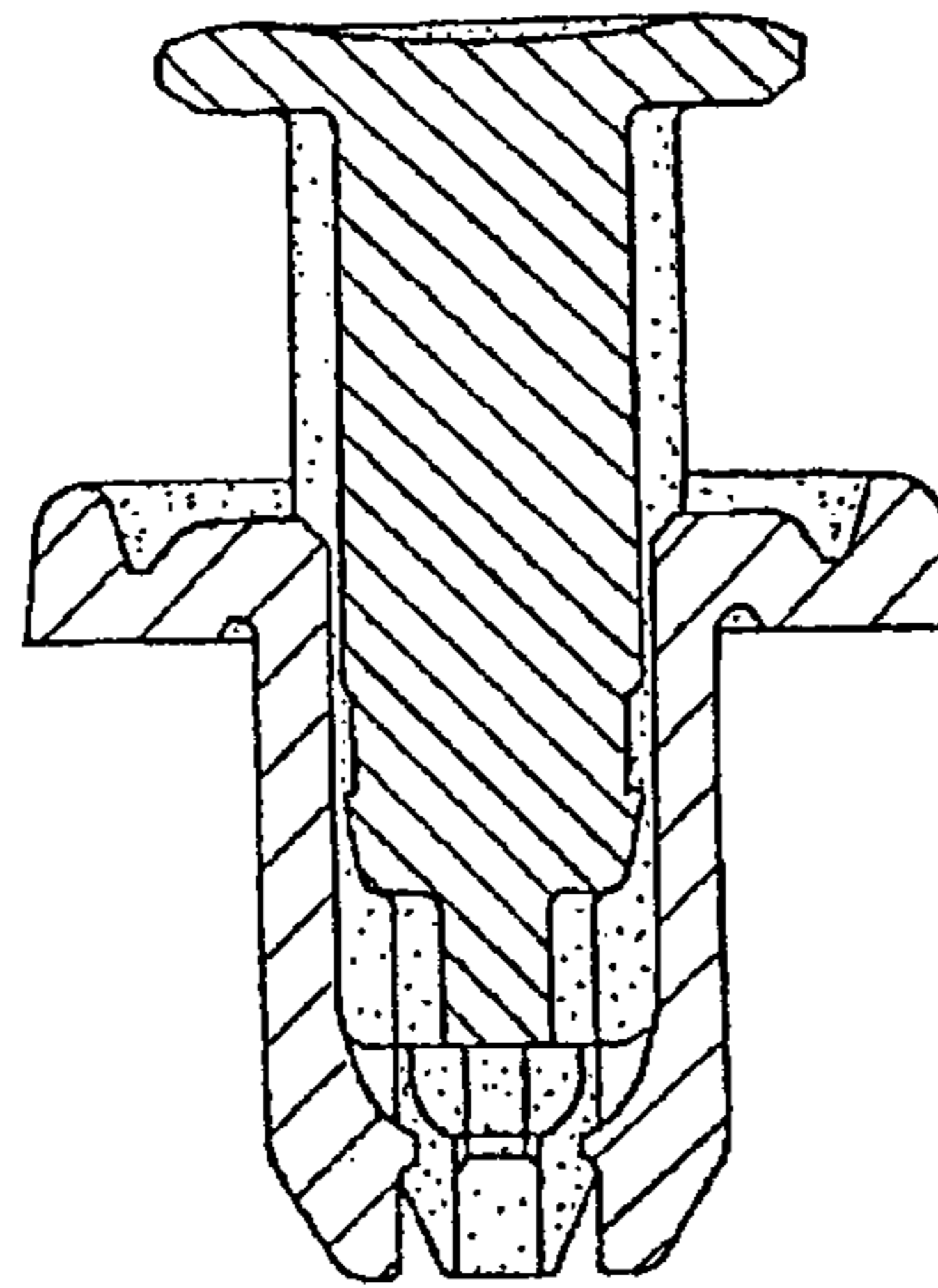


Fig. 7

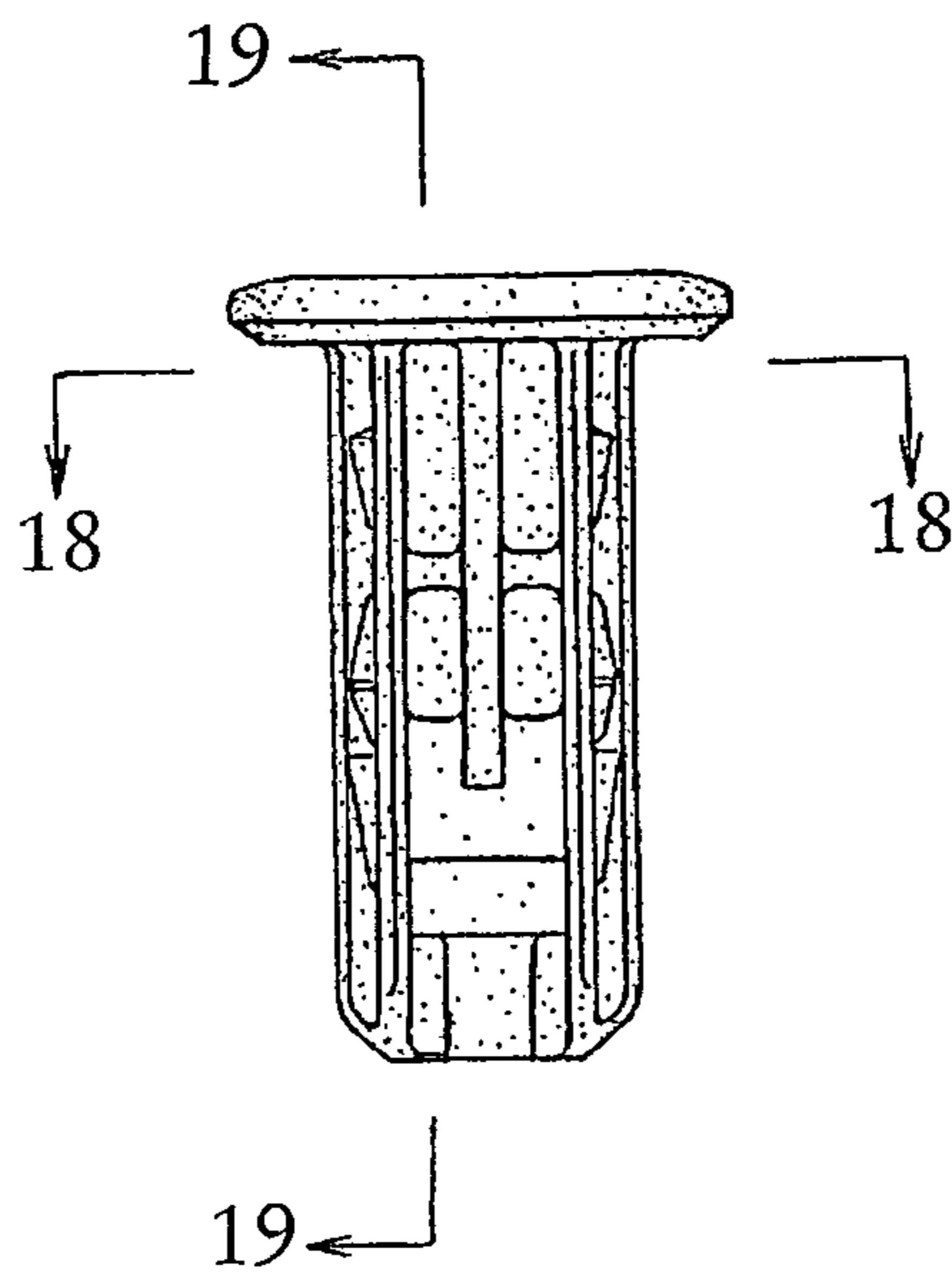


Fig. 8

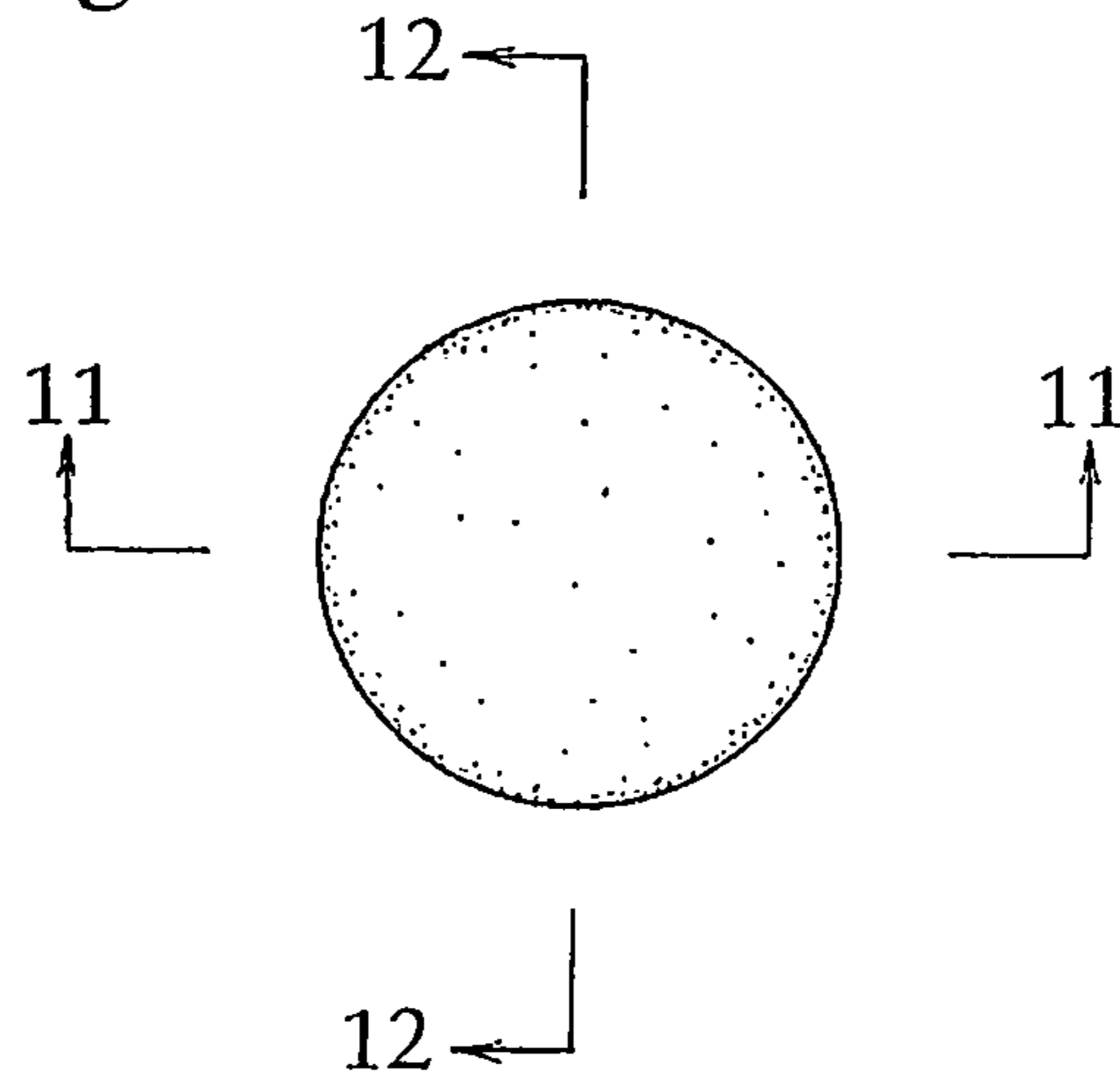


Fig. 9

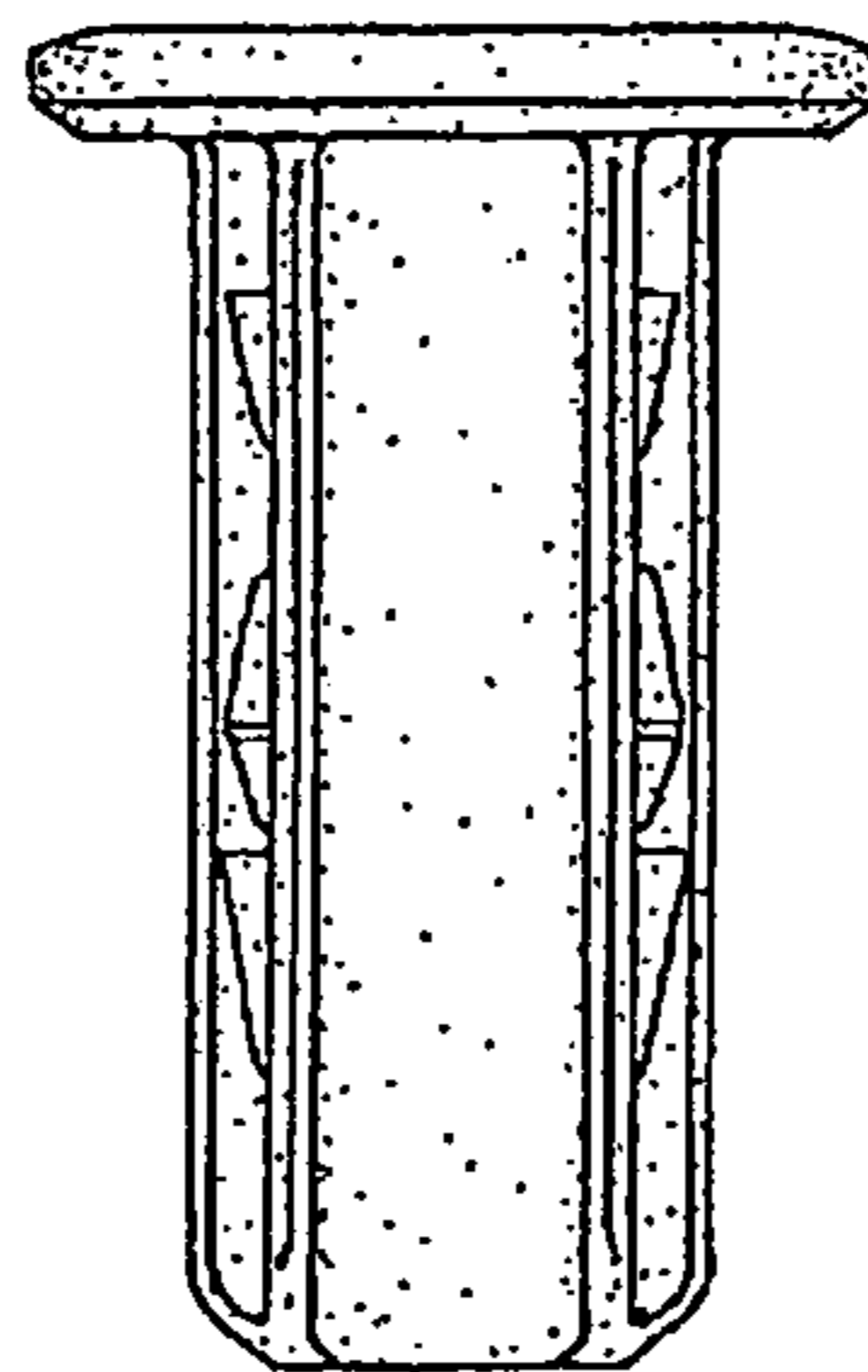


Fig. 10

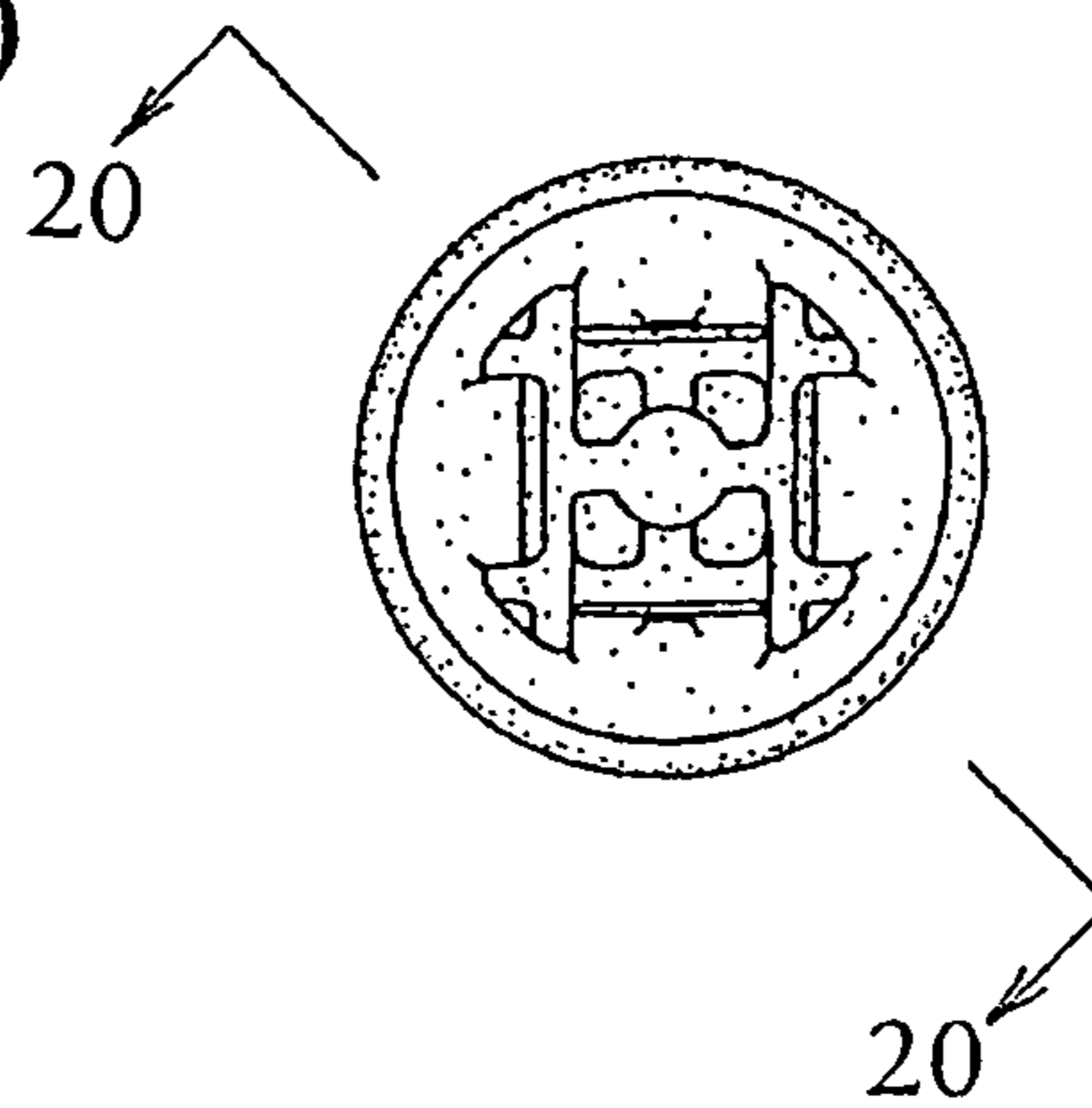


Fig. 11

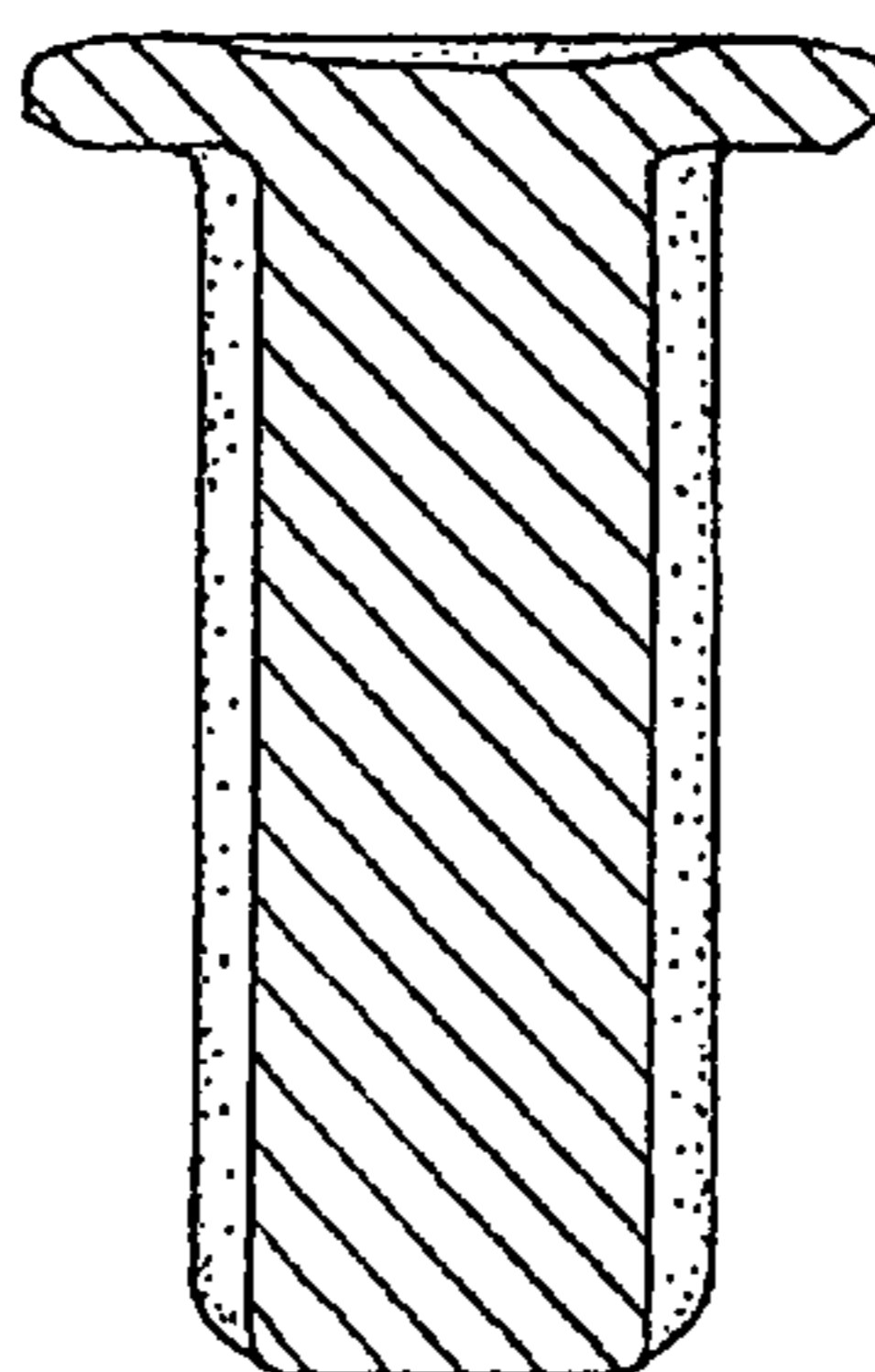


Fig. 12

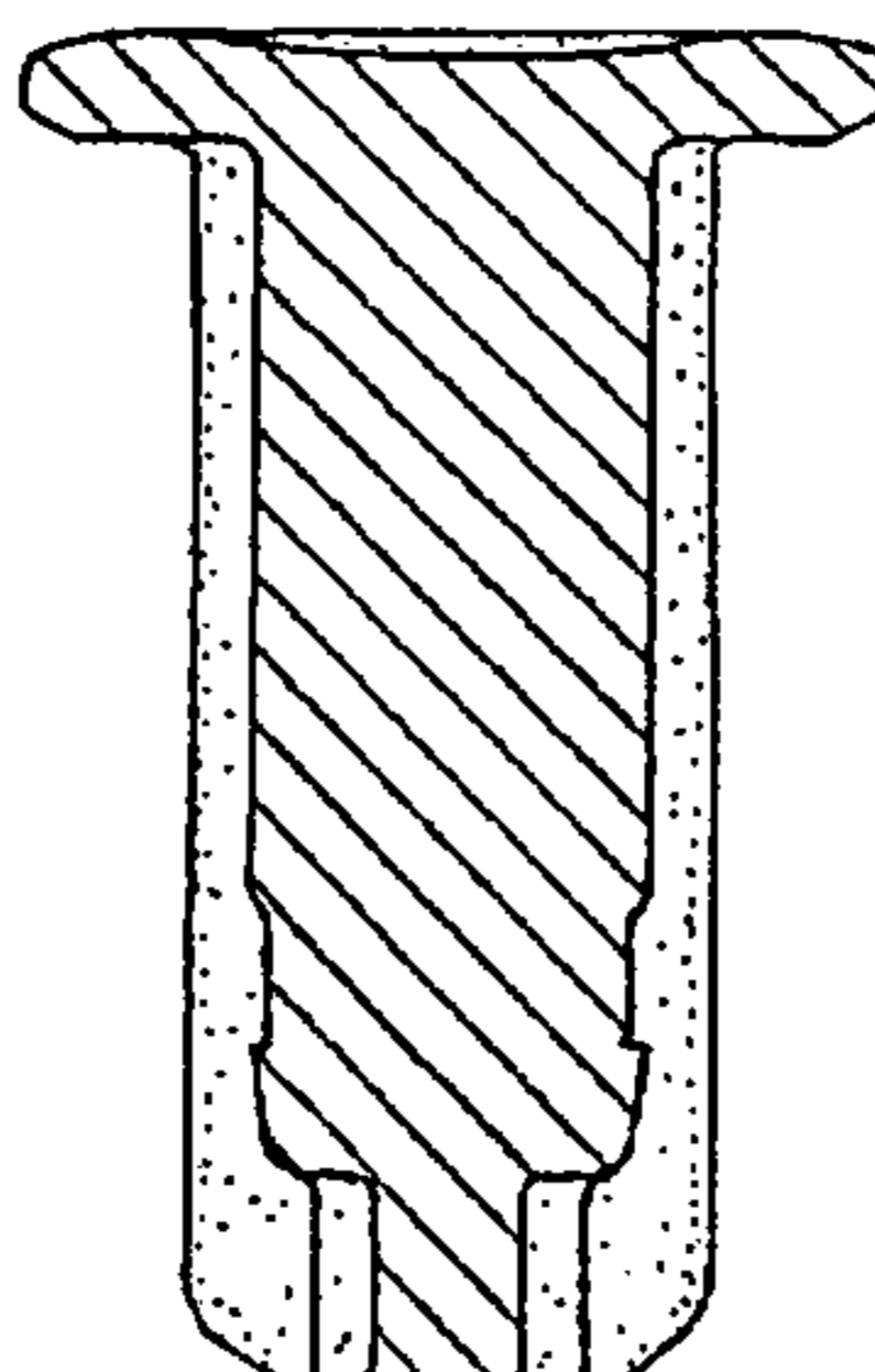


Fig. 13

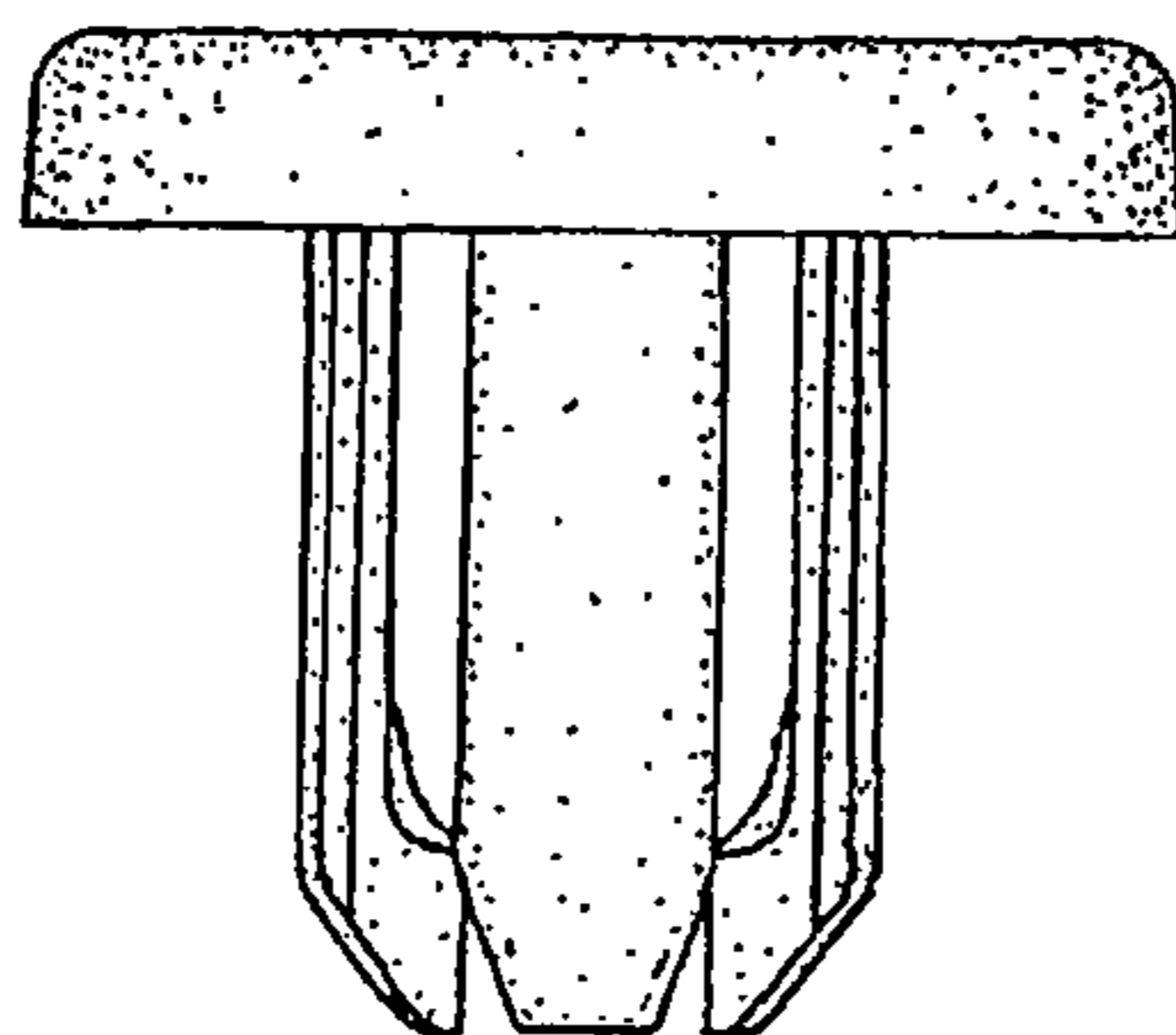


Fig. 14

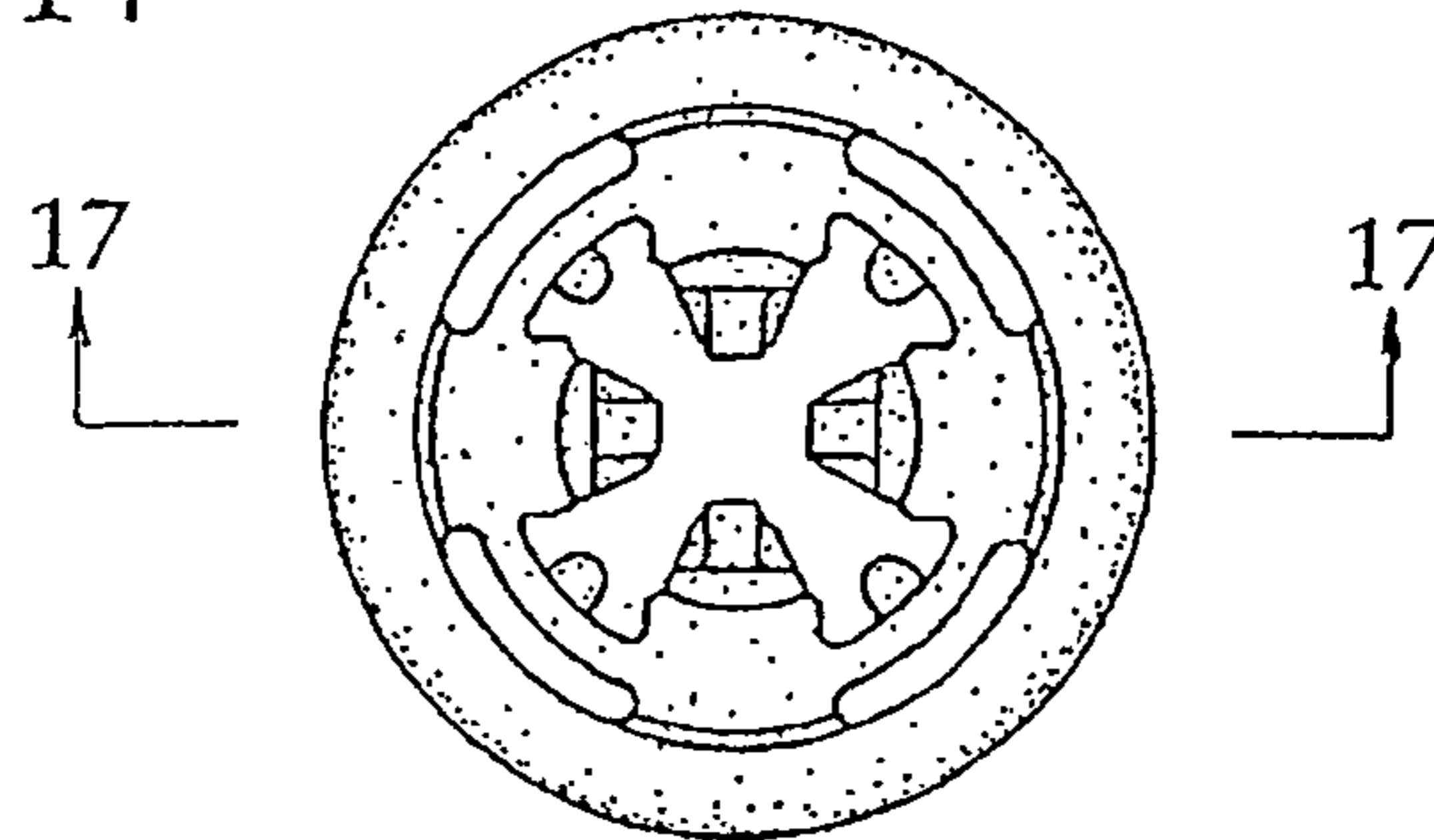


Fig. 15

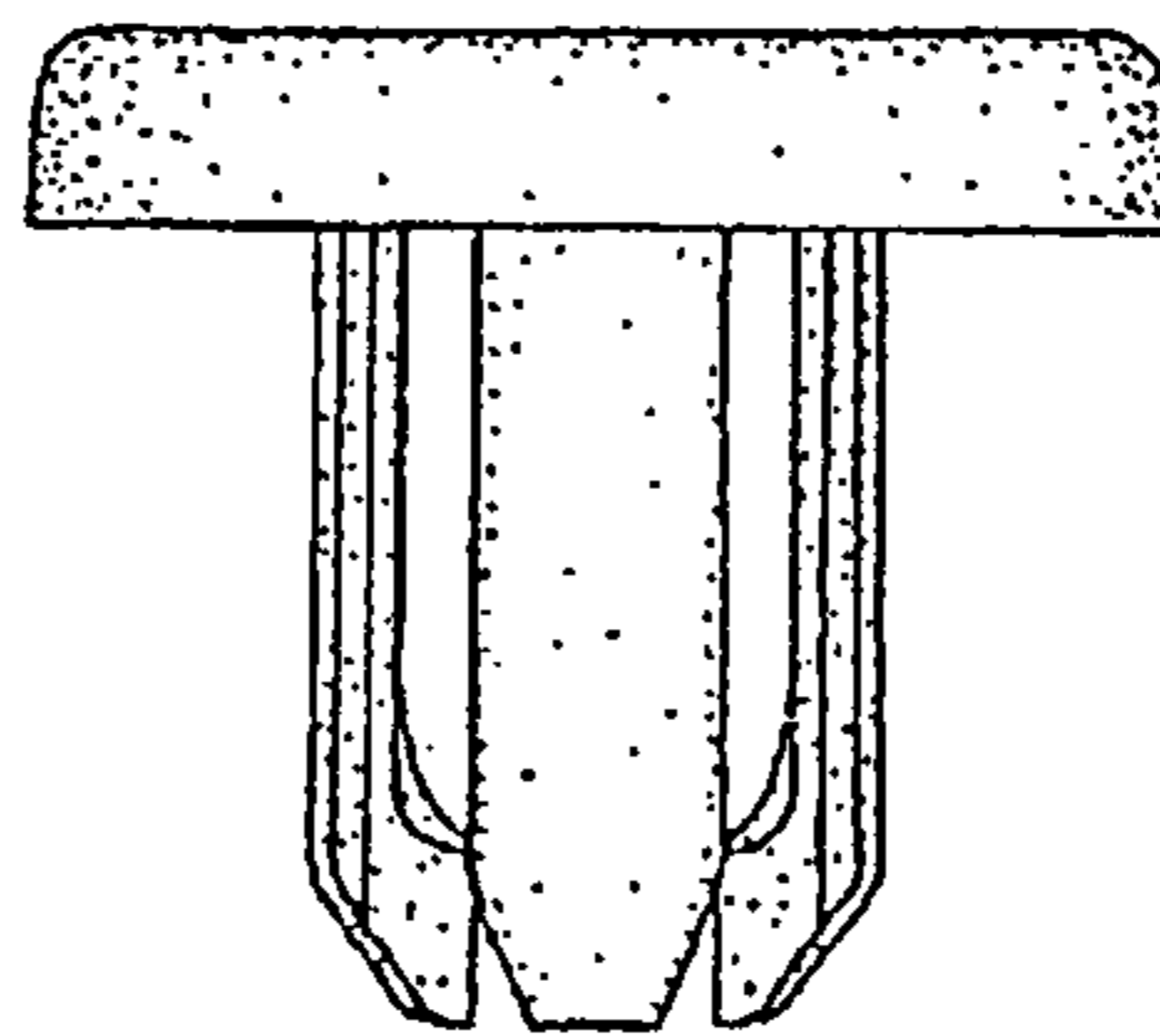


Fig. 16

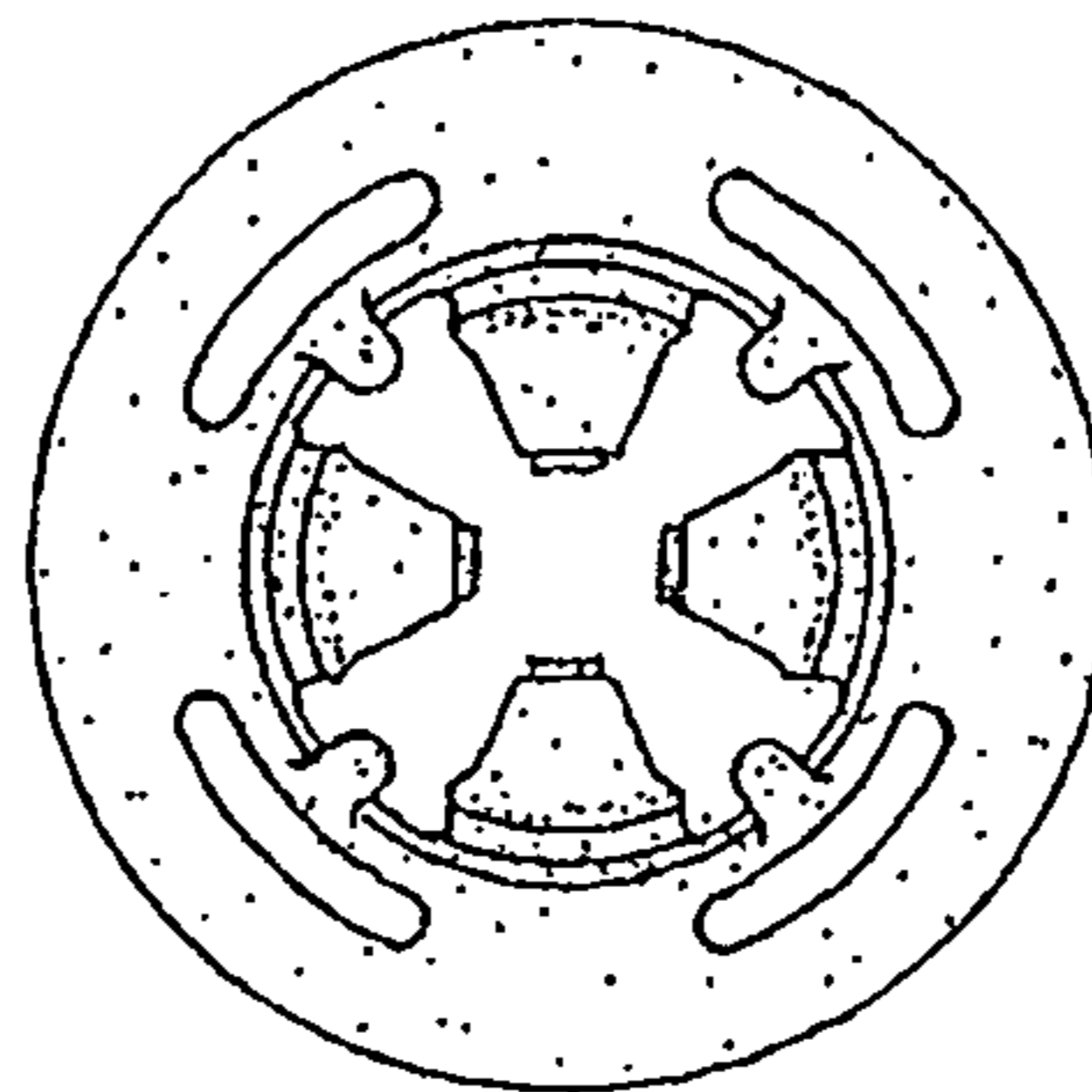


Fig. 17

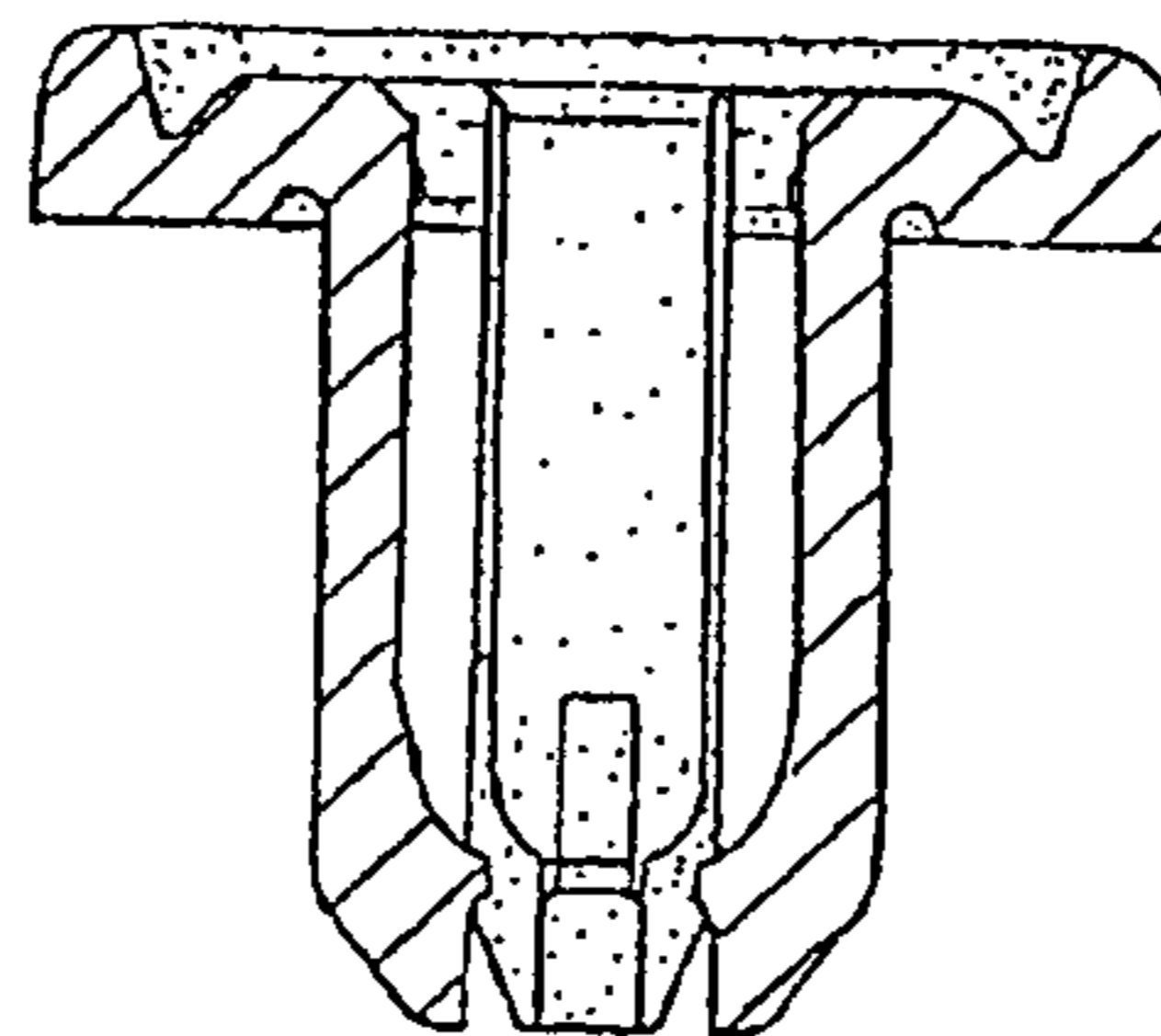


Fig. 18

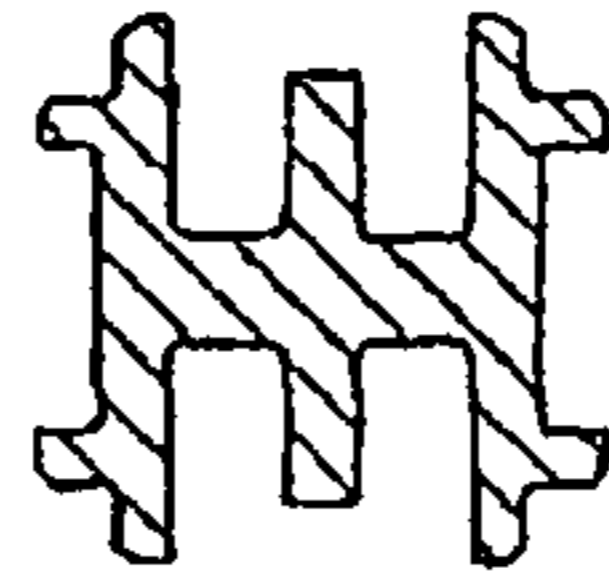


Fig. 19

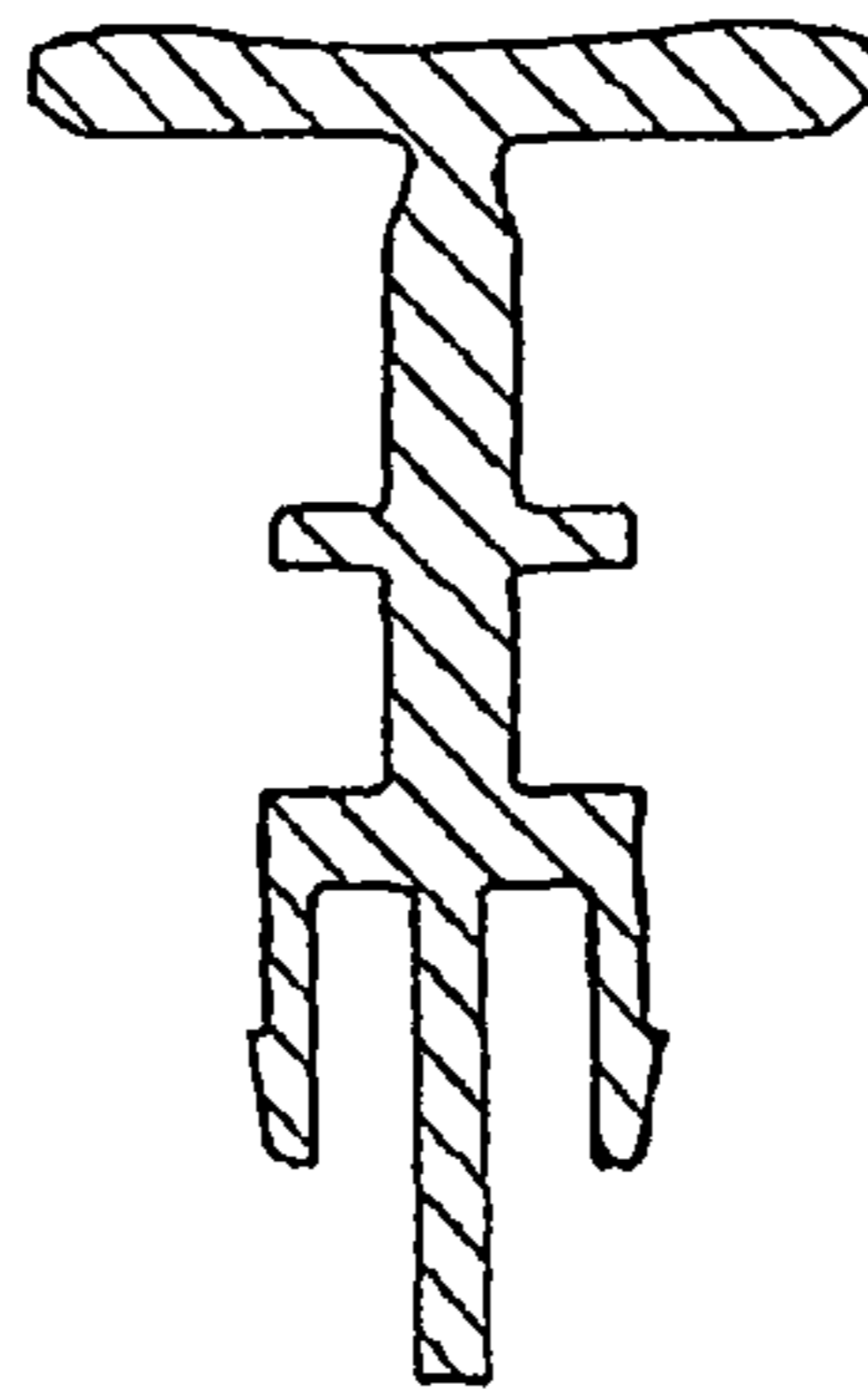


Fig. 20

