



US00D686486S

(12) **United States Design Patent**
Densmore et al.

(10) **Patent No.:** **US D686,486 S**
(45) **Date of Patent:** **** Jul. 23, 2013**

- (54) **LIFTING BRACKET FOR REINFORCED CONCRETE**
- (75) Inventors: **David S. Densmore**, Englewood, CO (US); **James P. Linskens**, Golden, CO (US)
- (73) Assignee: **Rocky Mountain Prestress, LLC**, Denver, CO (US)
- (**) Term: **14 Years**
- (21) Appl. No.: **29/407,342**
- (22) Filed: **Nov. 28, 2011**
- (51) **LOC (9) Cl.** **08-08**
- (52) **U.S. Cl.**
USPC **D8/349**
- (58) **Field of Classification Search**
USPC D8/349, 354, 380, 382, 366, 356, D8/371, 373, 385; 248/300, 237, 309.1; 52/188, 52/182, 191, 702, 712, 745.06, 189, 506.5, 52/586.1, 125.1-125.6, 122.1, 126.1, 677, 52/679-681, 684-689, 695, 696, 713, 699, 52/700, 701, 703, 708, 715; 29/428, 525.01, 29/464; 249/14, 205, 208; 403/167, 169; D34/35; D25/133; 294/89
See application file for complete search history.

6,125,604	A *	10/2000	Holmes	52/713
6,694,680	B2	2/2004	Zambelli et al.		
6,729,079	B2	5/2004	Francies et al.		
7,032,354	B2	4/2006	Hansort		
D521,159	S *	5/2006	Hansort	D25/133
7,111,432	B2 *	9/2006	Hansort	52/125.4
D540,657	S *	4/2007	Hansort	D8/354
D547,524	S *	7/2007	Hansort	D34/35
D593,852	S *	6/2009	Hoebeek	D8/394
D609,553	S *	2/2010	Koizumi	D8/354
D621,953	S *	8/2010	Peifer	D24/232
7,905,063	B2	3/2011	Kelly		
8,096,086	B2 *	1/2012	Fletcher	52/125.4
8,353,133	B2 *	1/2013	Arteon	52/125.5
8,402,701	B2 *	3/2013	Arteon	52/125.2
2003/0213206	A1 *	11/2003	Hansort	52/698
2004/0010984	A1	1/2004	Wright		
2005/0055958	A1 *	3/2005	Hansort	52/698
2007/0164183	A1 *	7/2007	Michaud et al.	248/300
2007/0186492	A1	8/2007	Bennett et al.		
2008/0196324	A1	8/2008	Mackay Sim		
2010/0037536	A1	2/2010	Schulze		
2011/0000148	A1 *	1/2011	Arteon	52/125.5

* cited by examiner

Primary Examiner — Mark Goodwin
(74) *Attorney, Agent, or Firm* — Dorr, Carson & Birney, P.C.

(57) **CLAIM**
The ornamental design for a lifting bracket for reinforced concrete, as shown and described.

DESCRIPTION

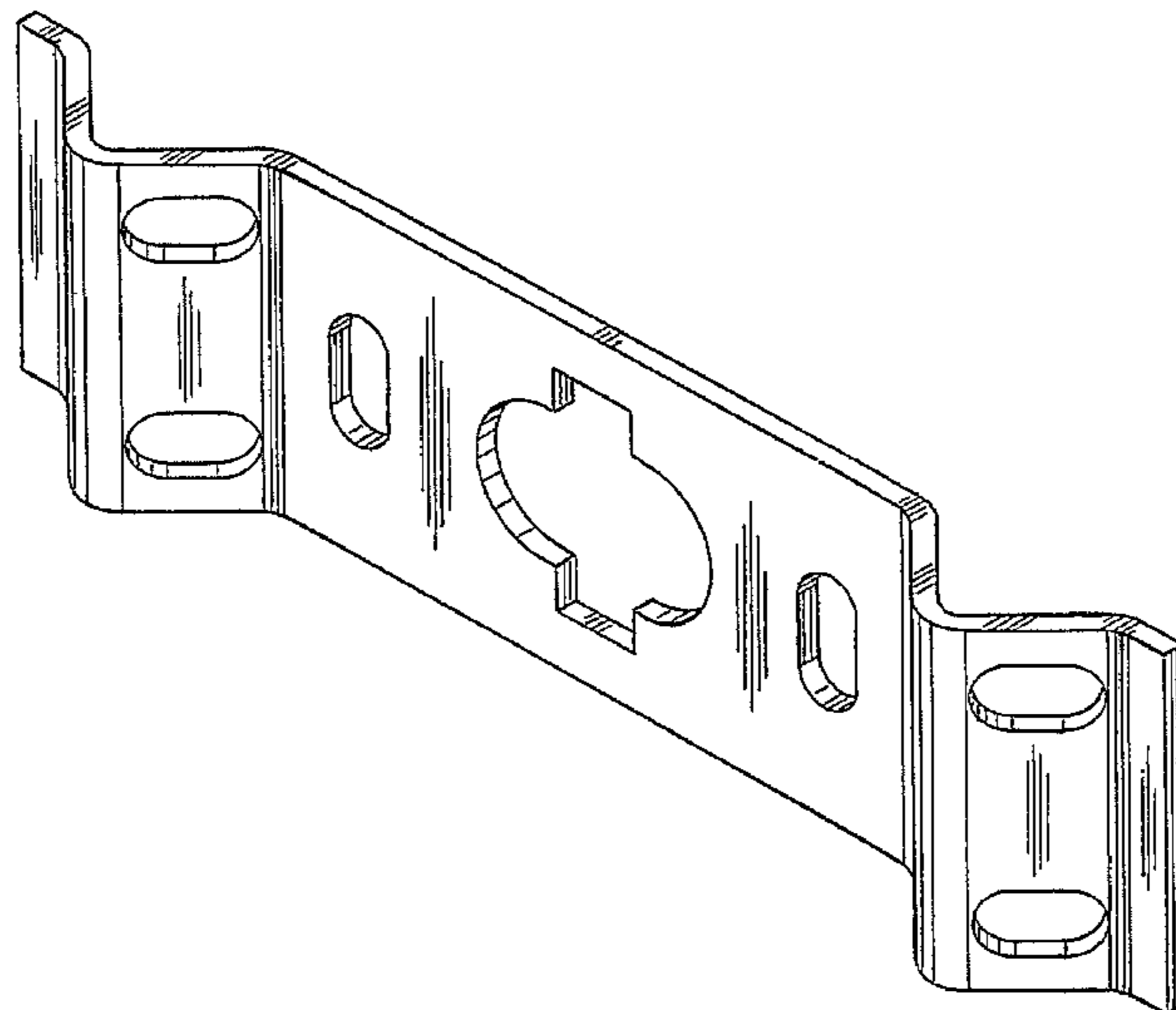
FIG. 1 is a front perspective view of a lifting bracket for reinforced concrete showing our new design.
FIG. 2 is a front elevational view thereof.
FIG. 3 is a bottom plan view thereof, the top plan view being a mirror image thereof.
FIG. 4 is a rear elevational view thereof; and,
FIG. 5 is a left side elevational view thereof, the right side elevational view being a mirror image thereof.

1 Claim, 3 Drawing Sheets

(56) **References Cited**

U.S. PATENT DOCUMENTS

4,087,947	A	5/1978	Turner		
D280,595	S *	9/1985	Wilk	D8/354
D285,647	S *	9/1986	Sachs	D8/356
4,656,794	A *	4/1987	Thevenin et al.	52/22
5,155,954	A	10/1992	Roire		
D333,421	S *	2/1993	Patti	D8/356
5,596,846	A	1/1997	Kelly		
5,809,703	A *	9/1998	Kelly	52/125.5
5,987,830	A *	11/1999	Worley	52/309.11
6,092,849	A	7/2000	Zambelli et al.		



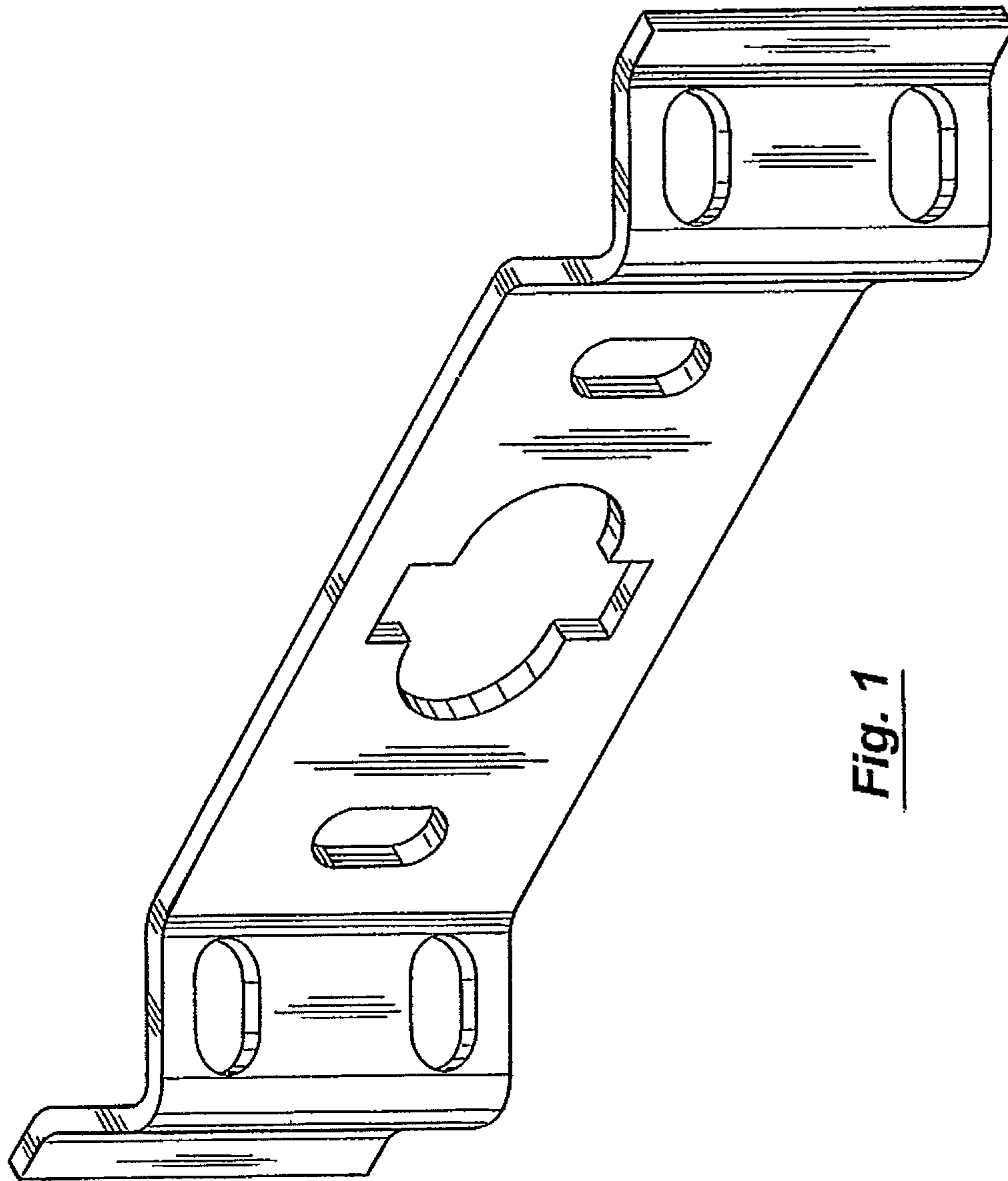


Fig. 1

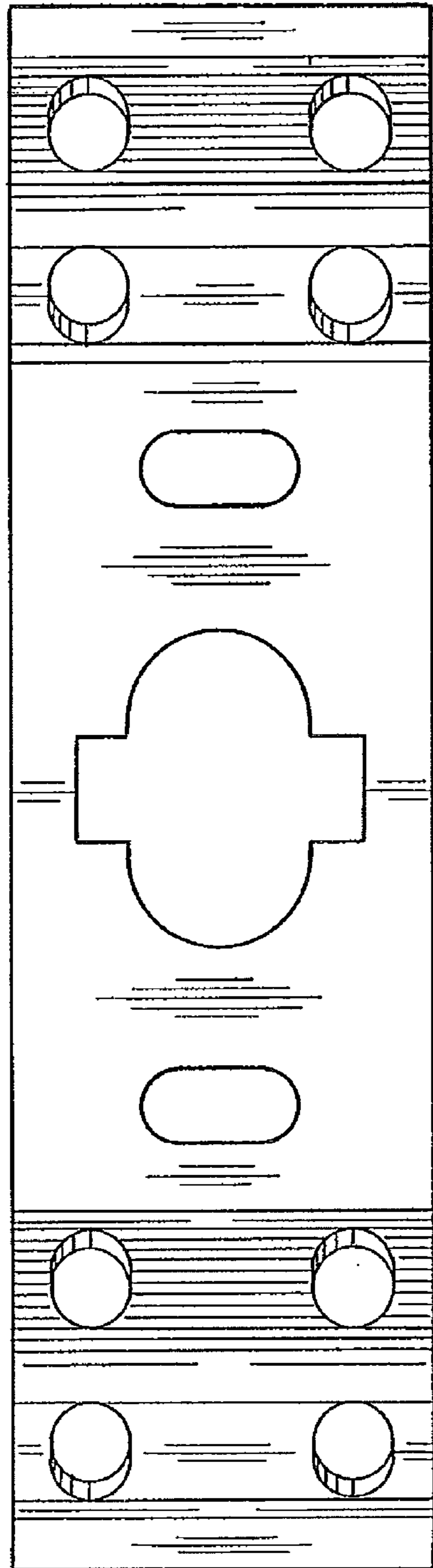


Fig. 2

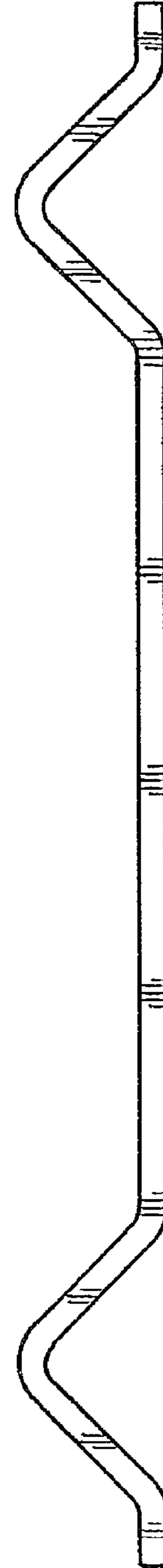


Fig. 3



Fig. 5

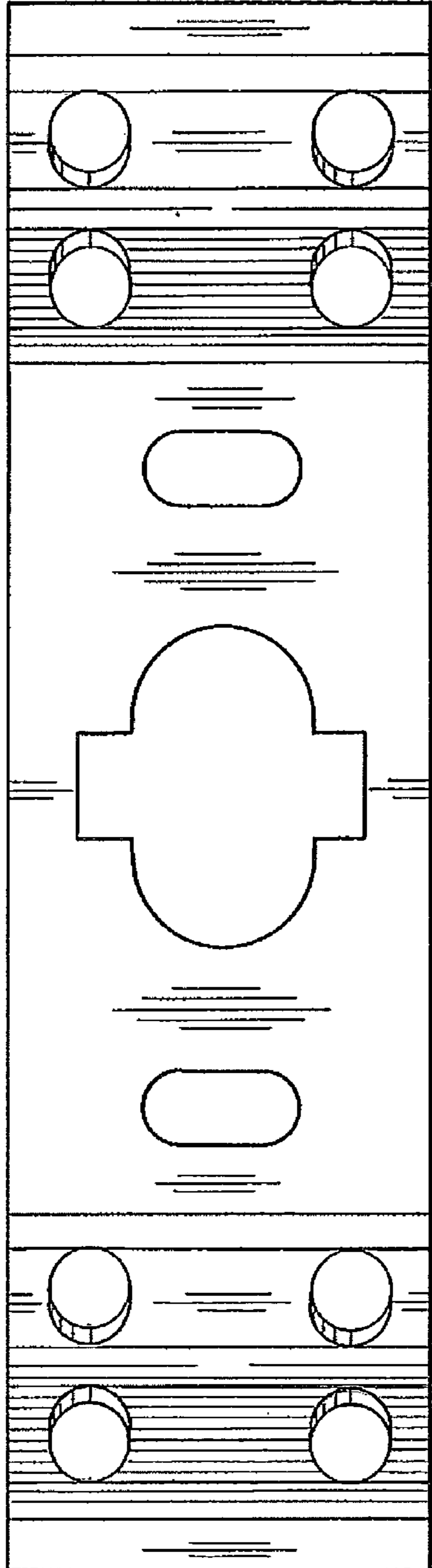


Fig. 4