



US00D686485S

(12) **United States Design Patent**
Taylor et al.

(10) **Patent No.:** **US D686,485 S**
(45) **Date of Patent:** **** Jul. 23, 2013**

(54) **LOCK**

(75) Inventors: **Kynan Taylor**, Richmond (AU); **Tim Cannell**, Richmond (AU); **Chris Bilanenko**, Richmond (AU); **Malcolm McKechnie**, Victoria (AU); **Hugo Davidson**, Richmond (AU)

(73) Assignee: **Knog Pty. Ltd.** (AU)

(**) Term: **14 Years**

(21) Appl. No.: **29/414,413**

(22) Filed: **Feb. 28, 2012**

(30) **Foreign Application Priority Data**

Aug. 31, 2011 (AU) 13848/2011

(51) **LOC (9) Cl.** **08-07**

(52) **U.S. Cl.**
USPC **D8/333; D8/334**

(58) **Field of Classification Search**
USPC D8/330, 331, 333, 334, 336, 343, D8/346; 70/14, 20-22, 24-29, 35-39, 38 A, 70/57.1, 141, DIG. 3, DIG. 4, 213, 219, 224, 70/DIG. 37-40

See application file for complete search history.

(56) **References Cited**

U.S. PATENT DOCUMENTS

5,832,752 A * 11/1998 Zeller 70/30
D427,503 S * 7/2000 Brockman et al. D8/334

6,082,155 A * 7/2000 Su 70/22
D451,783 S * 12/2001 Yu D8/334
D462,887 S * 9/2002 Yu D8/333
D467,819 S * 12/2002 Tang D10/30
D471,434 S * 3/2003 Read et al. D8/373
6,527,434 B1 * 3/2003 Fox et al. 368/276
D483,647 S * 12/2003 Lo D8/333
D548,042 S * 8/2007 Smyczek et al. D8/334
D608,180 S * 1/2010 Buseman D8/333

* cited by examiner

Primary Examiner — Prabhakar Deshmukh

(74) *Attorney, Agent, or Firm* — Saidman DesignLaw Group

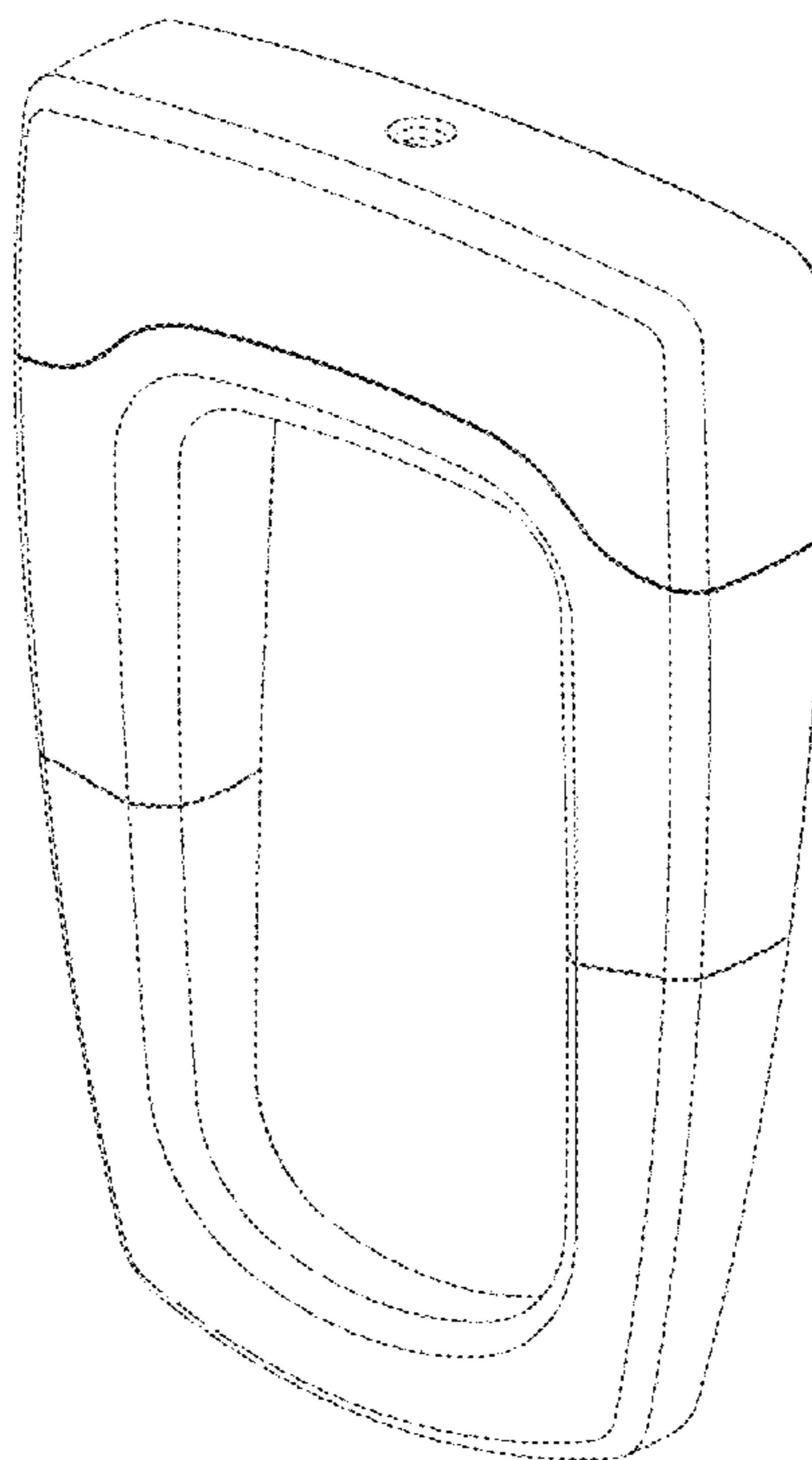
(57) **CLAIM**

The ornamental design for a lock, as shown and described.

DESCRIPTION

FIG. 1 is a front elevational view of a lock showing our new design;
FIG. 2 is rear elevational view thereof;
FIG. 3 is a right side elevational view thereof;
FIG. 4 is a left side elevational view thereof;
FIG. 5 is a top plan view thereof;
FIG. 6 is a bottom plan view thereof;
FIG. 7 is a front perspective view thereof; and,
FIG. 8 is a rear perspective view thereof.
The light lines in the drawing represent the contours and not the surface shading.

1 Claim, 7 Drawing Sheets



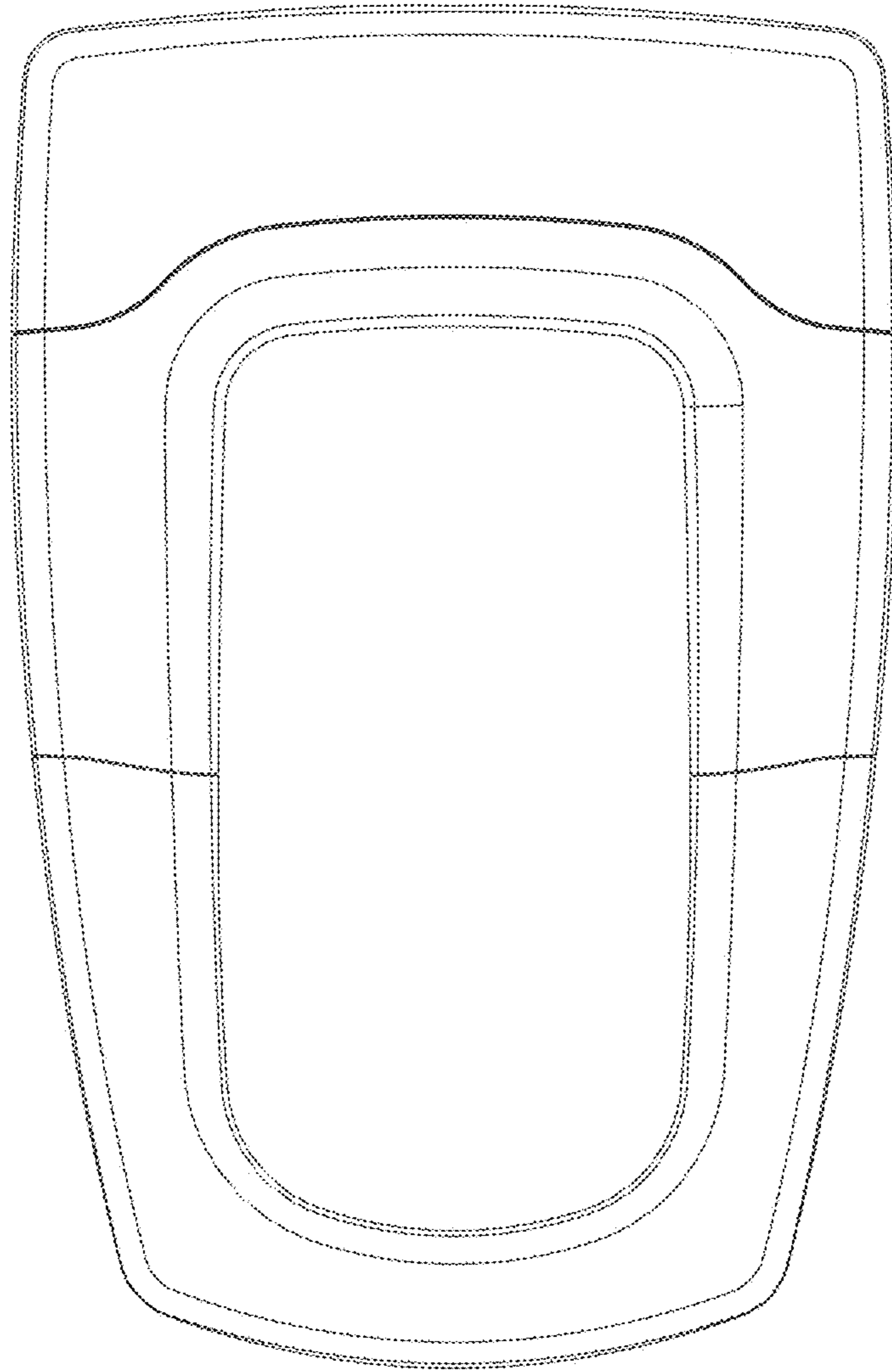


Figure 1

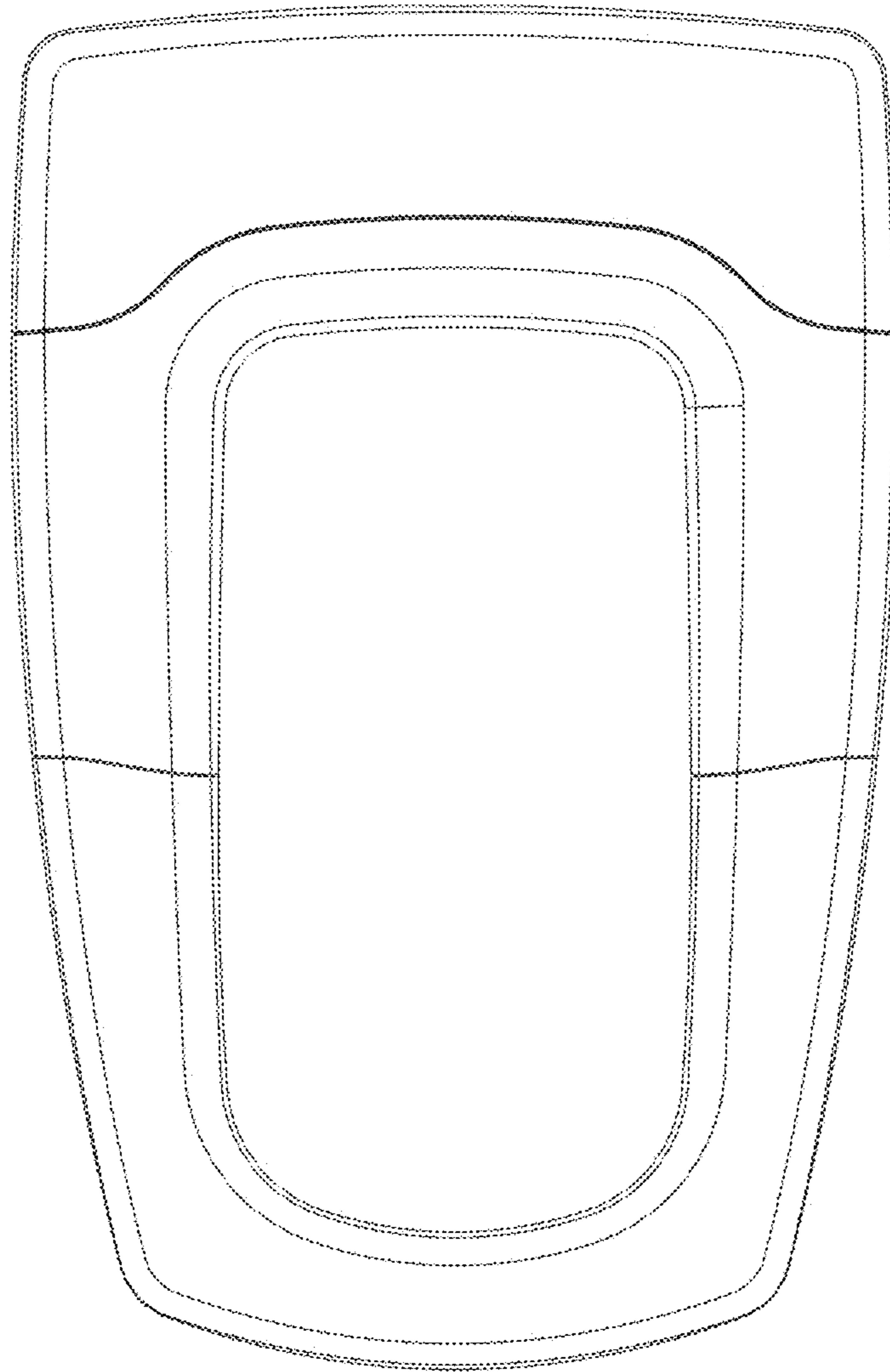


Figure 2

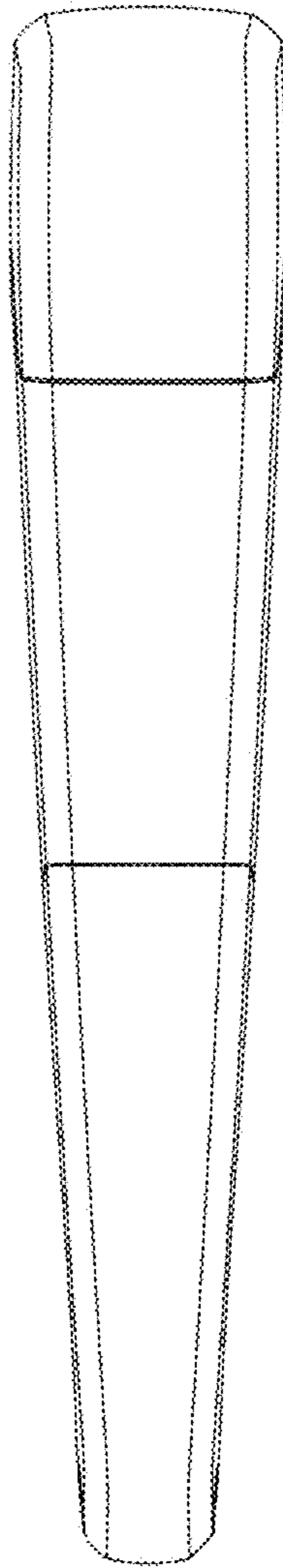


Figure 3

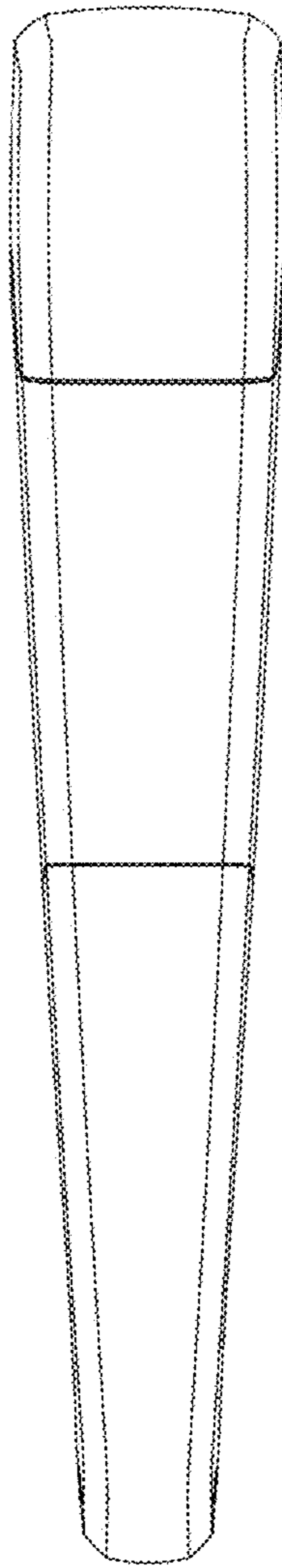


Figure 4

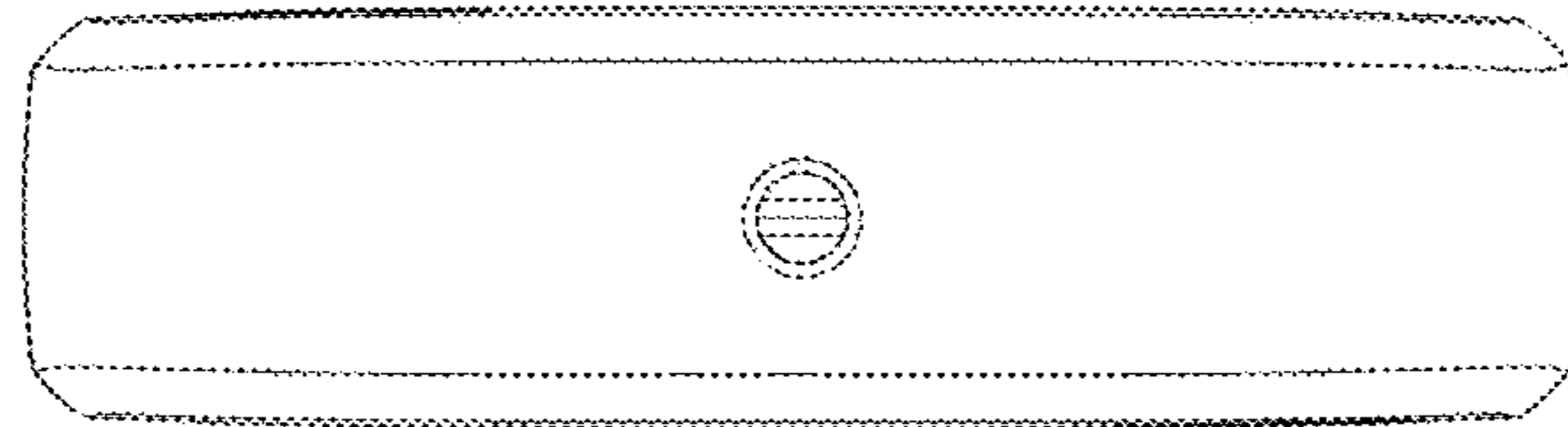


Figure 5

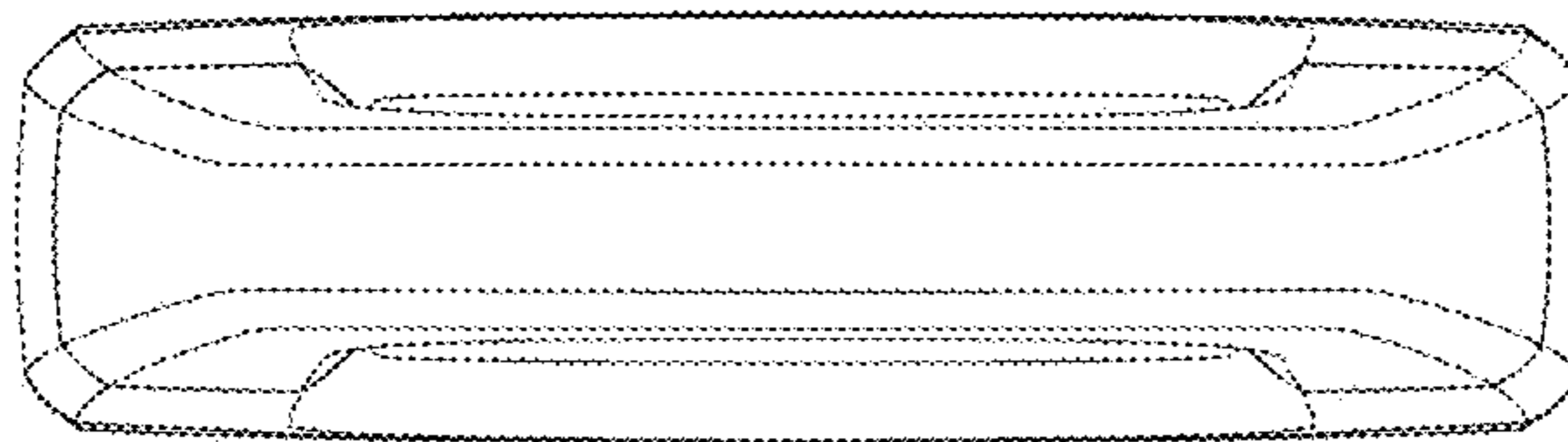


Figure 6

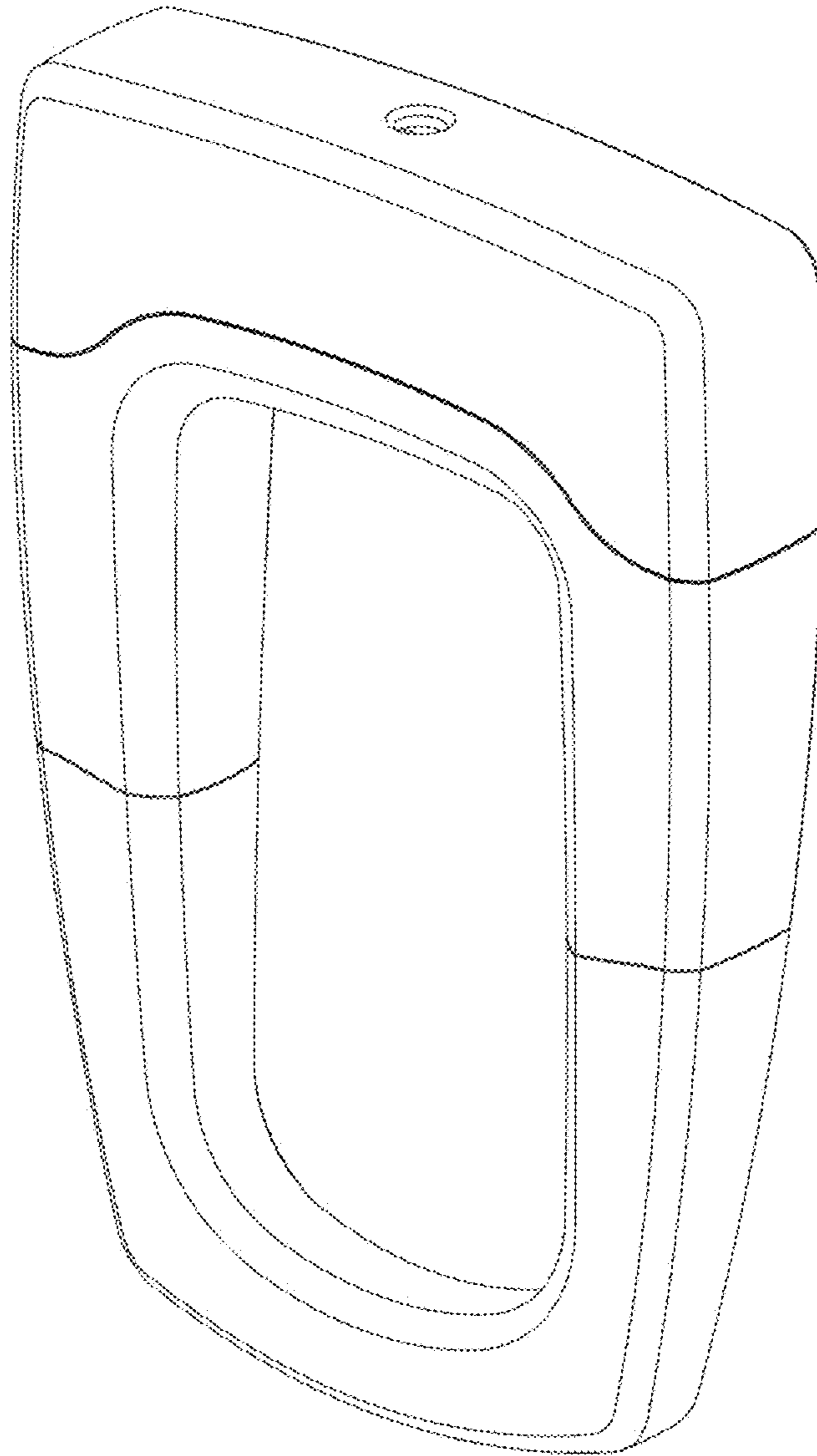


Figure 7

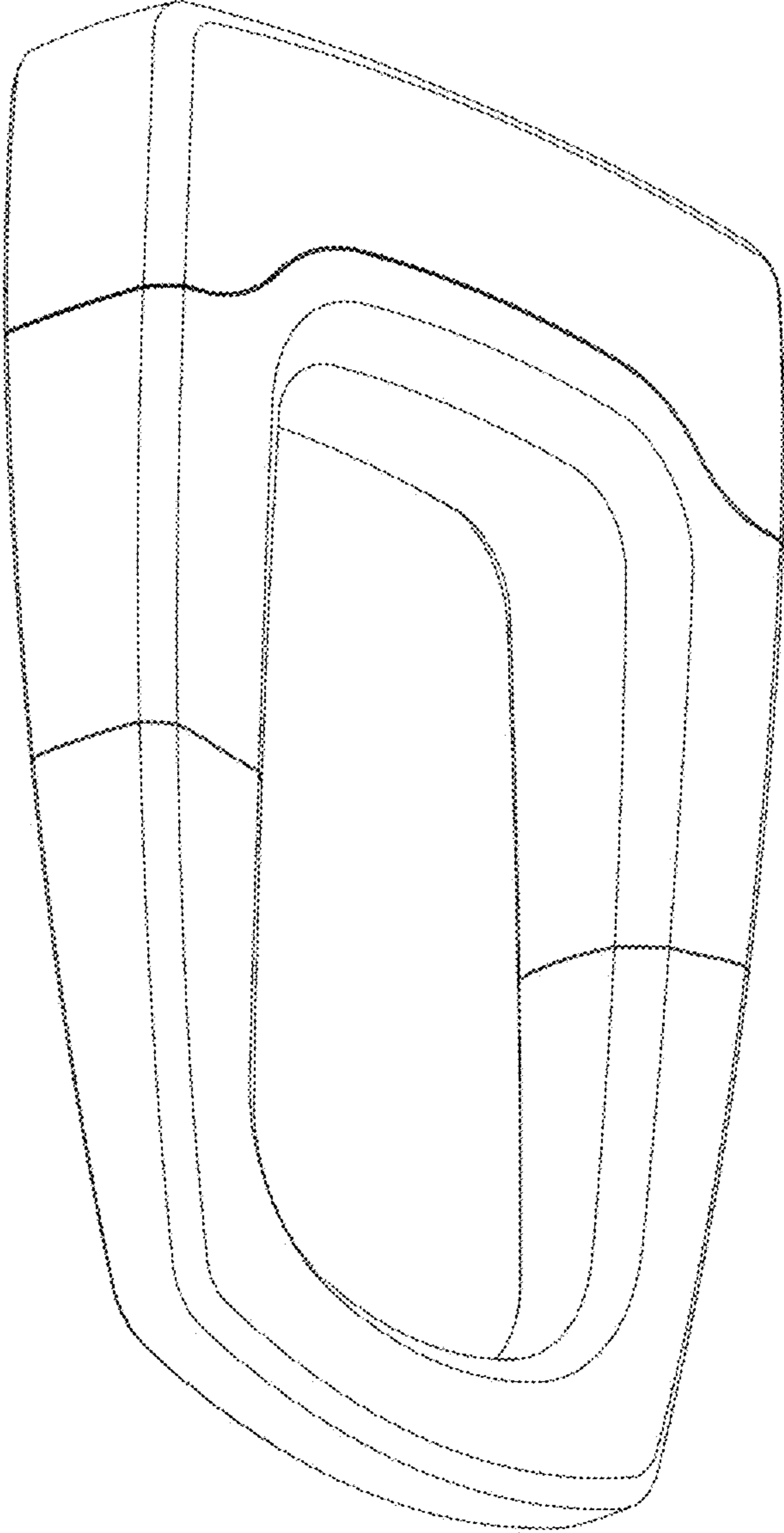


Figure 8