



US00D686482S

(12) **United States Design Patent**  
**Robinson et al.**

(10) **Patent No.:** **US D686,482 S**  
(45) **Date of Patent:** **\*\* Jul. 23, 2013**

(54) **UTILITY KNIFE HANDLE**

D599,641 S \* 9/2009 Yang-Fu ..... D8/99  
D600,090 S \* 9/2009 Yang-Fu ..... D8/99  
D632,154 S \* 2/2011 Yang-Fu ..... D8/99

(75) Inventors: **Glenn Robinson**, Parkland, FL (US);  
**Michael Garcia**, Coral Springs, FL (US)

\* cited by examiner

(73) Assignee: **IBT Holdings, LLC**, Deerfield Beach,  
FL (US)

*Primary Examiner* — Philip S Hyder

*Assistant Examiner* — Roselynn Cody

(74) *Attorney, Agent, or Firm* — Dan M. DeLaRosa

(\*\*) Term: **14 Years**

(57) **CLAIM**

The ornamental design for a utility knife handle, as shown and described.

(21) Appl. No.: **29/373,032**

**DESCRIPTION**

(22) Filed: **Feb. 22, 2011**

(51) **LOC (9) Cl.** ..... **08-03**

(52) **U.S. Cl.**  
USPC ..... **D8/99**

(58) **Field of Classification Search**  
USPC . D8/95-99, 105, 107; D22/118; 30/154-162,  
30/329-331, 339

See application file for complete search history.

FIG. 1 is a front perspective view of the utility knife handle of the present invention showing my new design;  
FIG. 2 is a side elevational view thereof;  
FIG. 3 is an opposite side elevational view thereof;  
FIG. 4 is a back elevational view thereof;  
FIG. 5 is a front elevational view thereof;  
FIG. 6 is a top plan view thereof;  
FIG. 7 is a bottom plan view thereof; and,  
FIG. 8 is a rear perspective view of the utility knife handle of the present invention.

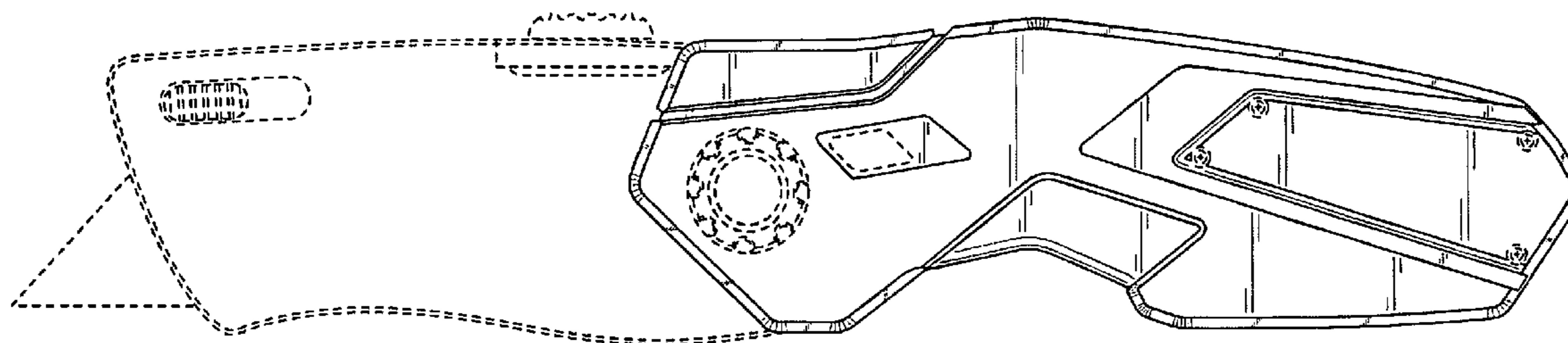
The broken lines illustrating a blade holder and a blade are directed to environment and form no part of the claim. All other broken lines in the drawings illustrate unclaimed features of the handle.

(56) **References Cited**

U.S. PATENT DOCUMENTS

D554,964 S \* 11/2007 Taylor et al. .... D8/99  
D572,562 S \* 7/2008 Hawk et al. .... D8/99  
D599,640 S \* 9/2009 Yang-Fu ..... D8/99

**1 Claim, 5 Drawing Sheets**



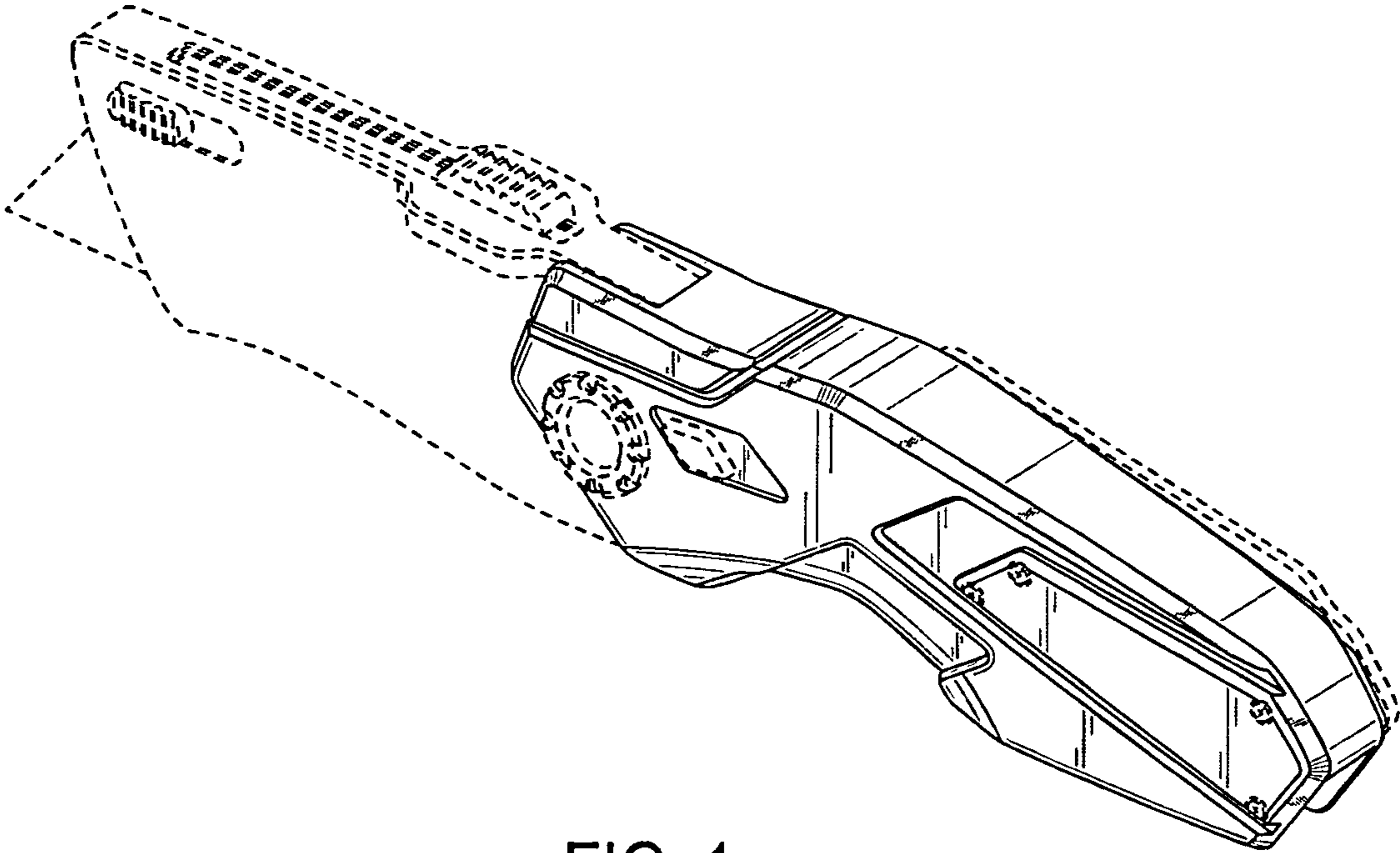


FIG. 1

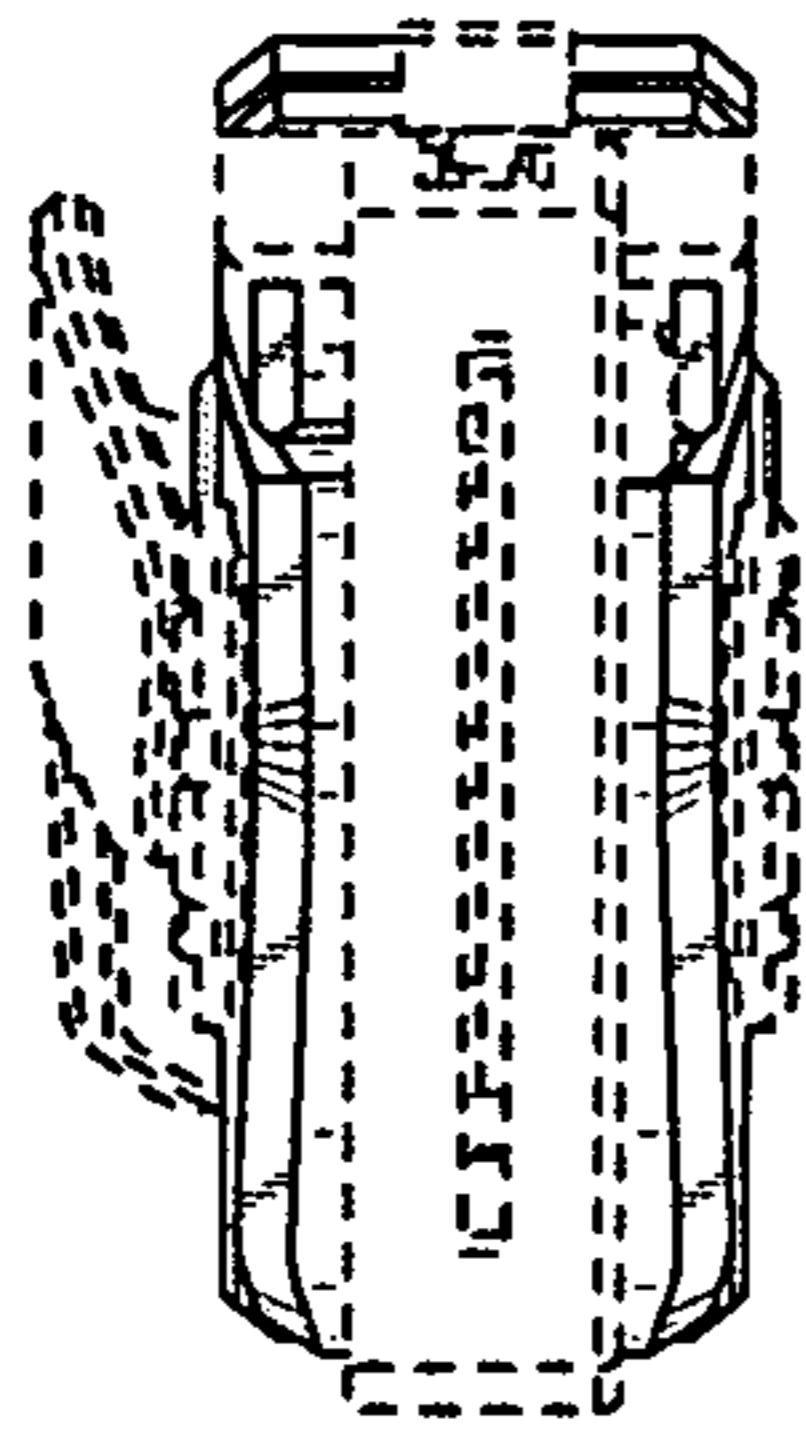


FIG. 2

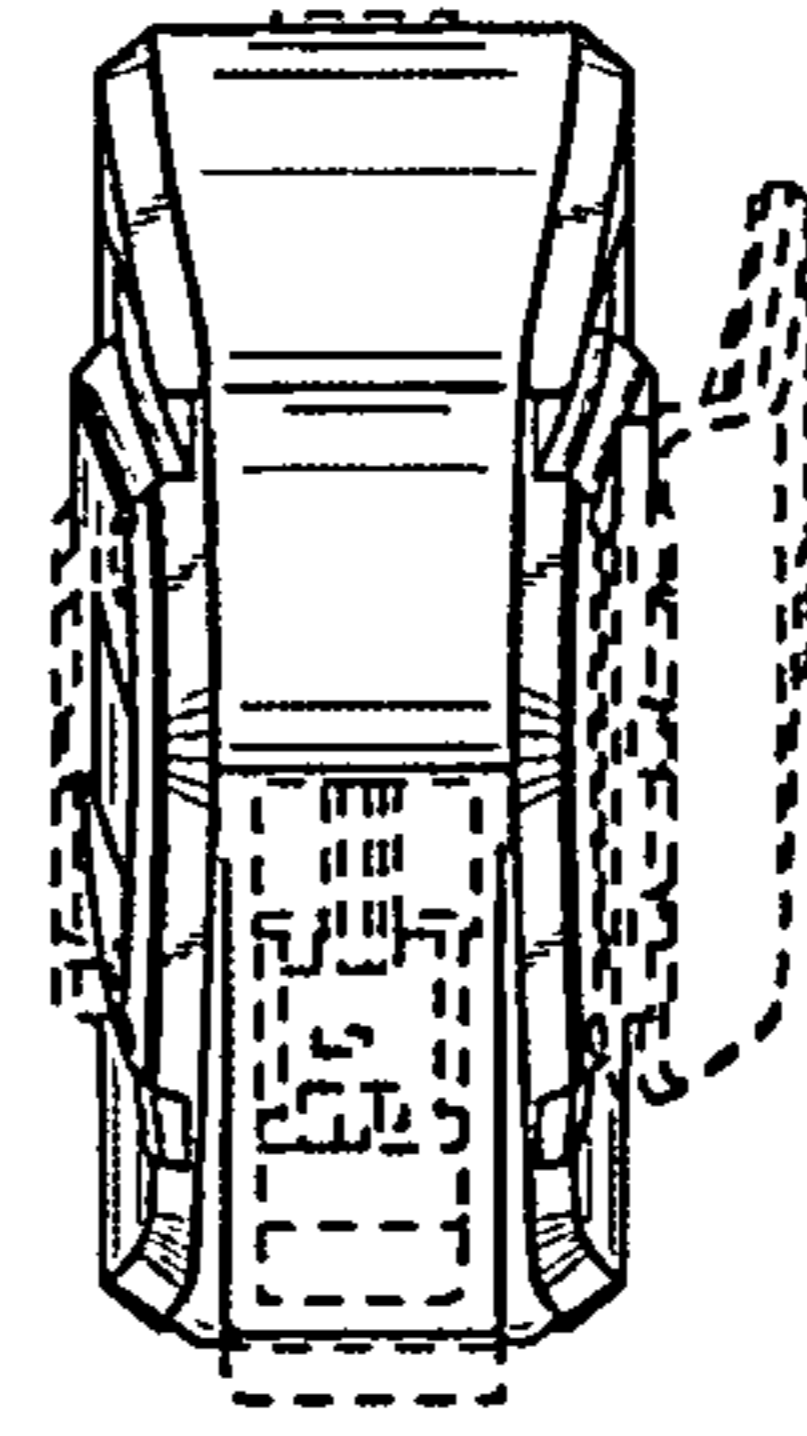


FIG. 3

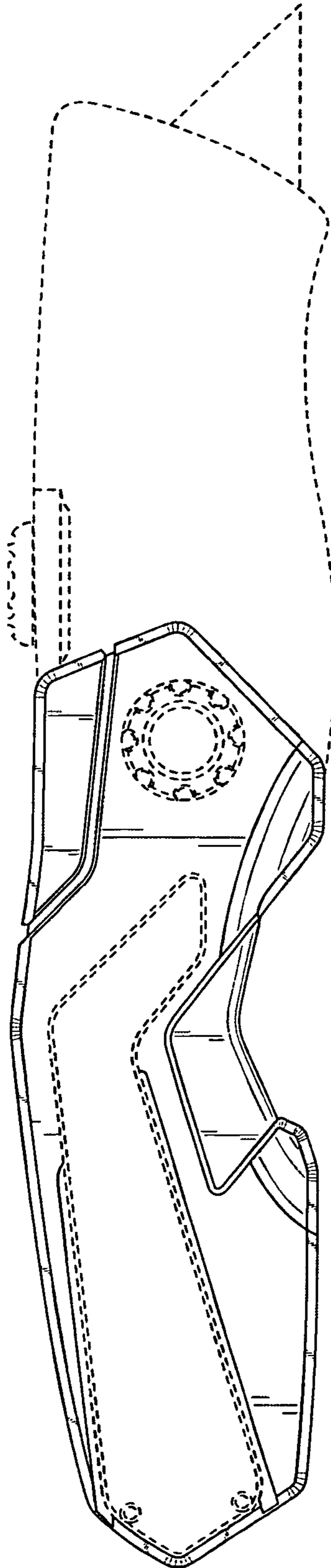


FIG. 4

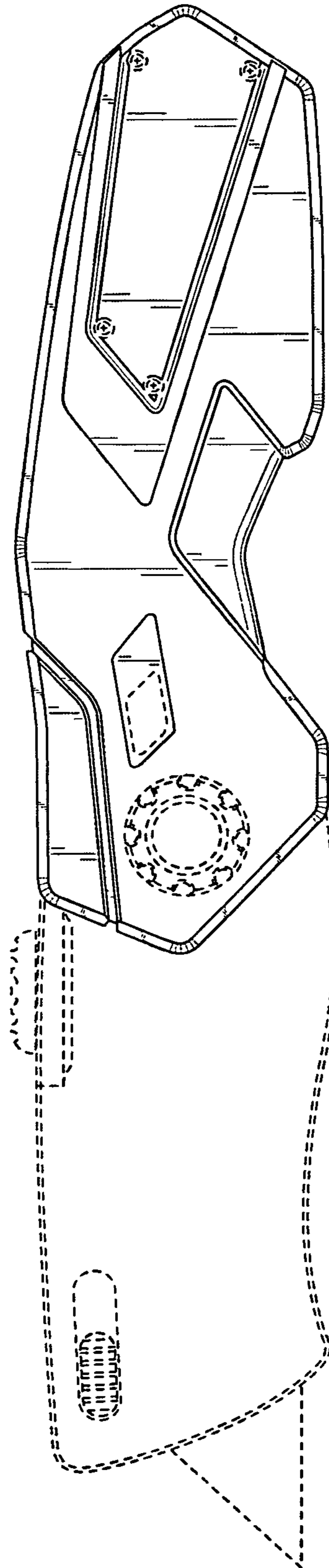


FIG. 5

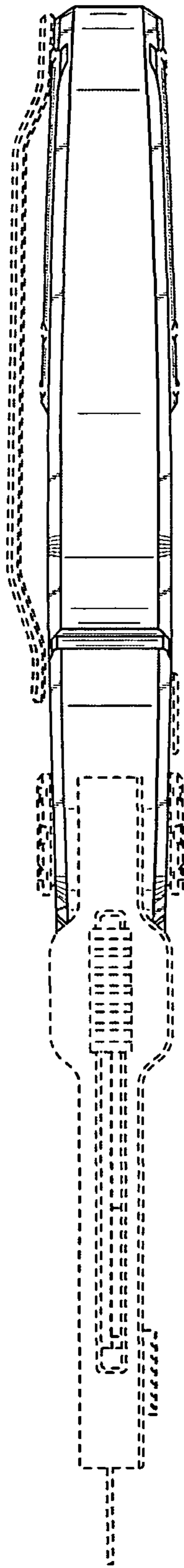


FIG. 6

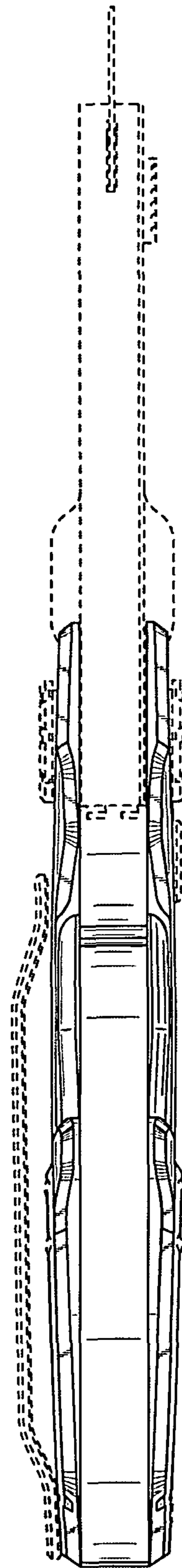


FIG. 7

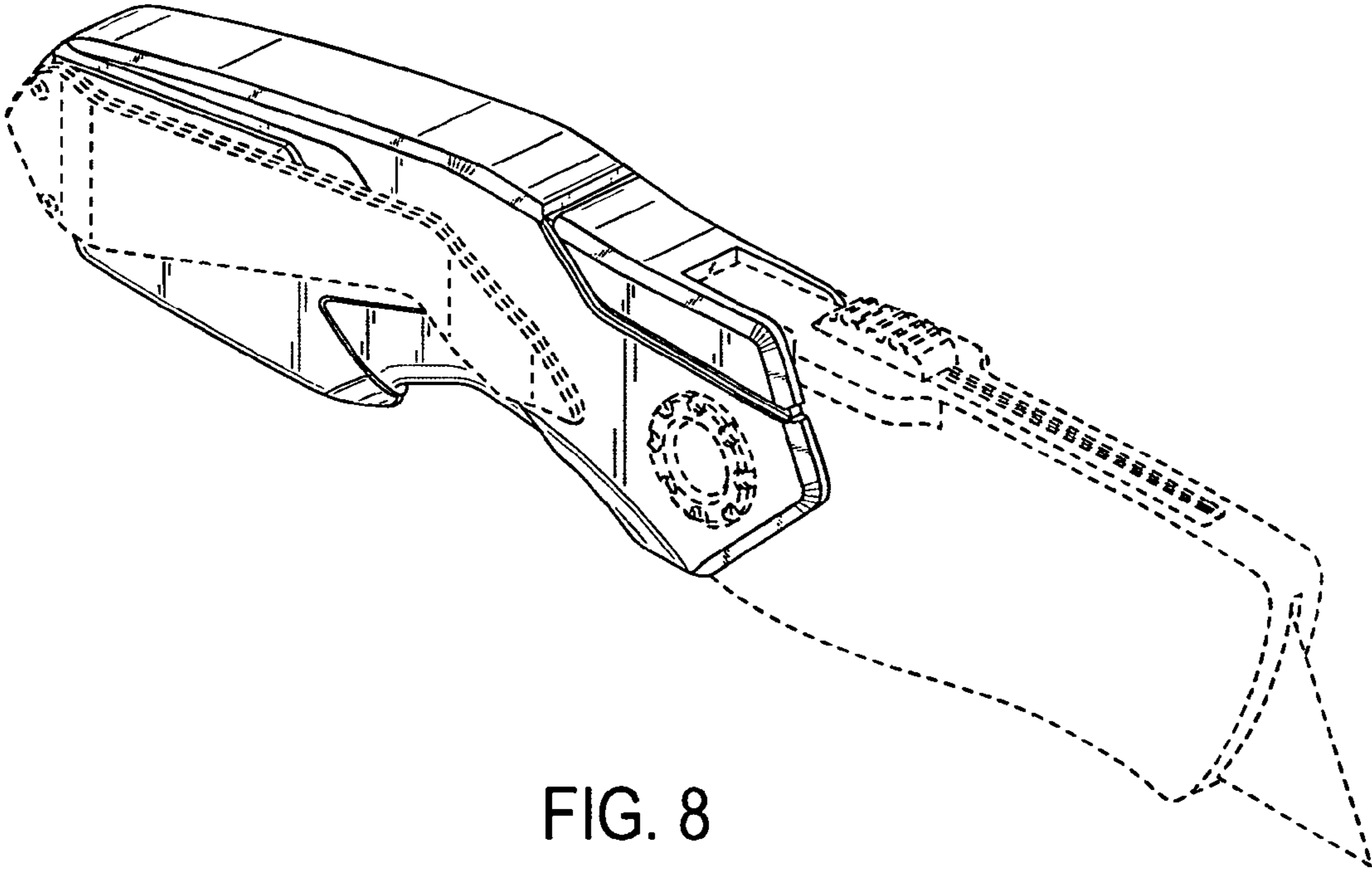


FIG. 8