



US00D686481S

(12) **United States Design Patent**
Robinson et al.

(10) **Patent No.:** **US D686,481 S**
(45) **Date of Patent:** **** Jul. 23, 2013**

(54) **UTILITY KNIFE WITH BLADE CARTRIDGE**

(75) Inventors: **Glenn Robinson**, Parkland, FL (US);
Michael Garcia, Coral Springs, FL (US)

(73) Assignee: **IBT Holdings, LLC**, Deerfield Beach,
FL (US)

(**) Term: **14 Years**

(21) Appl. No.: **29/373,031**

(22) Filed: **Feb. 22, 2011**

(51) **LOC (9) Cl.** **08-03**

(52) **U.S. Cl.**
USPC **D8/99**

(58) **Field of Classification Search**
USPC . D8/95-99, 105, 107; D22/118; 30/124-125,
30/153-162, 329-331, 339

See application file for complete search history.

(56) **References Cited**

U.S. PATENT DOCUMENTS

4,936,014	A *	6/1990	Shaanan et al.	30/162
6,314,646	B1 *	11/2001	Schmidt	30/162
6,330,749	B1 *	12/2001	Khachatoorian et al.	30/162
6,415,514	B1 *	7/2002	Chun	30/162
6,678,958	B1 *	1/2004	Budrow	30/125
6,729,028	B1 *	5/2004	Hsu	30/143
7,418,784	B2 *	9/2008	Fossella	30/162
7,475,480	B2 *	1/2009	Votolato	30/2
7,533,467	B2 *	5/2009	Fossella	30/162
7,797,835	B2 *	9/2010	Zeng	30/153
7,886,445	B2 *	2/2011	Constantine et al.	30/162
7,913,397	B2 *	3/2011	van Deursen	30/154
8,099,868	B1 *	1/2012	Votolato	30/2
2004/0000055	A1 *	1/2004	Lee Fan	30/125
2006/0272157	A1 *	12/2006	Zeng	30/161
2008/0086894	A1 *	4/2008	Sullivan	30/155

2008/0235954	A1 *	10/2008	Radle	30/152
2009/0223062	A1 *	9/2009	Tucker	30/162
2010/0037465	A1 *	2/2010	Price	30/152
2011/0167647	A1 *	7/2011	Gringer et al.	30/156

OTHER PUBLICATIONS

Claus Cartridge Type Utility Knife. Downloaded at <http://www.grainger.com/Grainger/CLAUSS-CartridgeType-Utility-Knife-3CUJ6?Pid=search> on Jun. 9, 2012.*

* cited by examiner

Primary Examiner — Philip S Hyder

Assistant Examiner — Roselyne Ulm Cody

(74) *Attorney, Agent, or Firm* — Dan M. DeLaRosa

(57) **CLAIM**

The ornamental design for a utility knife with blade cartridge, as shown and described.

DESCRIPTION

FIG. 1 is a front perspective view of the utility knife handle with blade cartridge of the present invention showing my new design;

FIG. 2 is a side elevational view thereof;

FIG. 3 is an opposite side elevational view thereof;

FIG. 4 is a back elevational view thereof;

FIG. 5 is a front elevational view thereof;

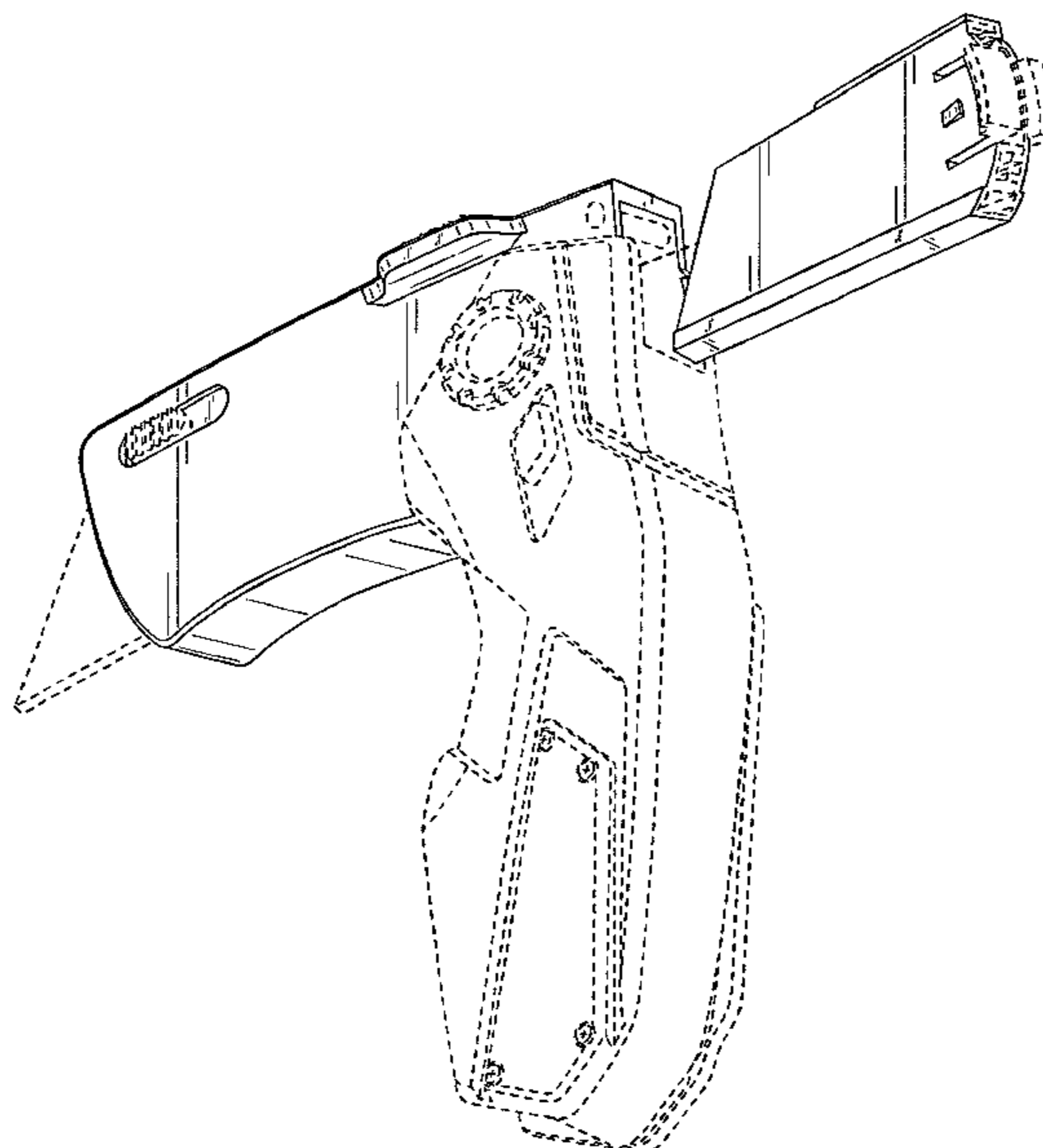
FIG. 6 is a top plan view thereof;

FIG. 7 is a bottom plan view thereof; and,

FIG. 8 is a back perspective view of the utility knife handle with blade cartridge of the present invention.

The broken lines in the drawings illustrate features of the utility knife with blade cartridge that form no part of the claim.

1 Claim, 6 Drawing Sheets



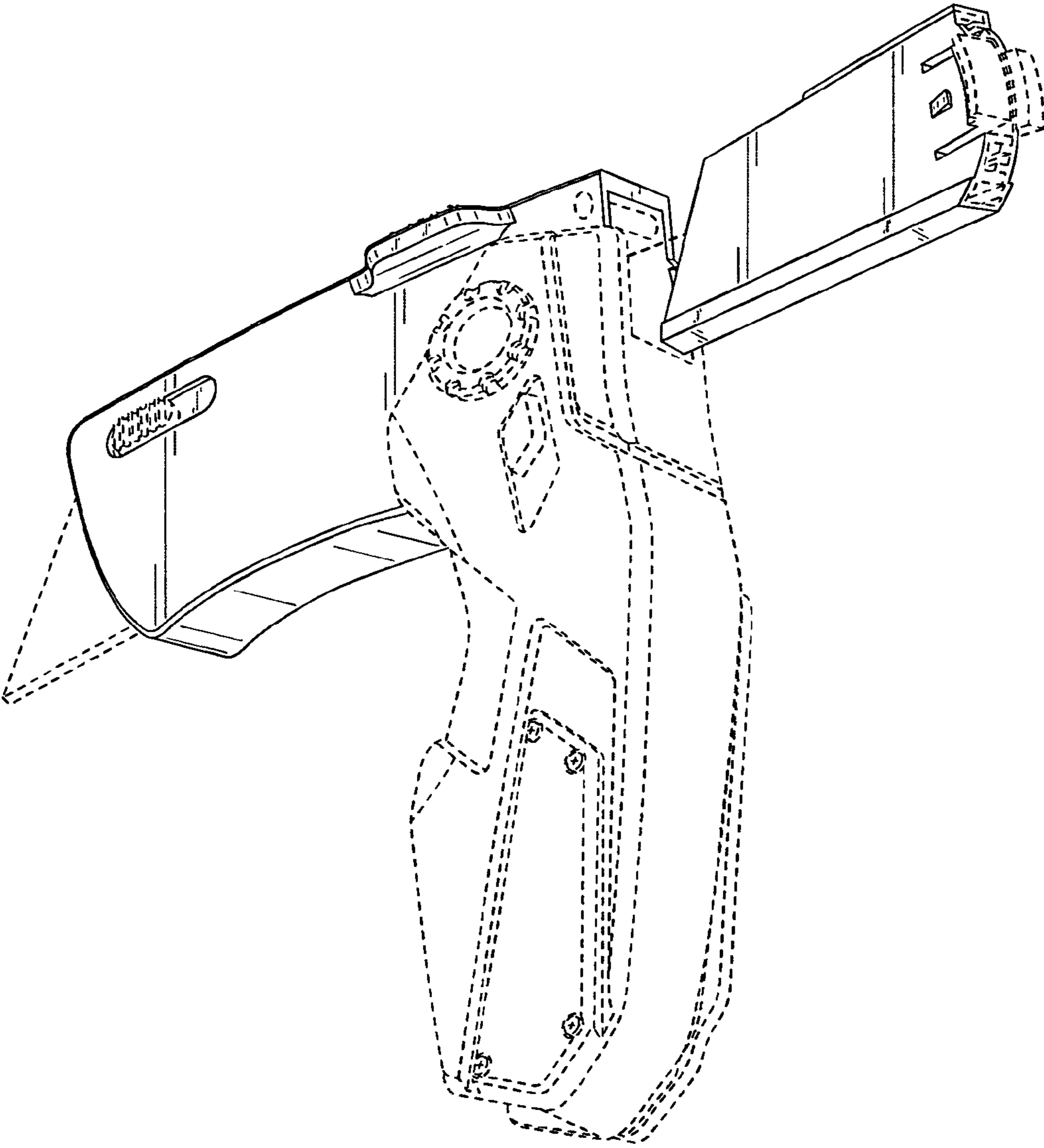


FIG. 1

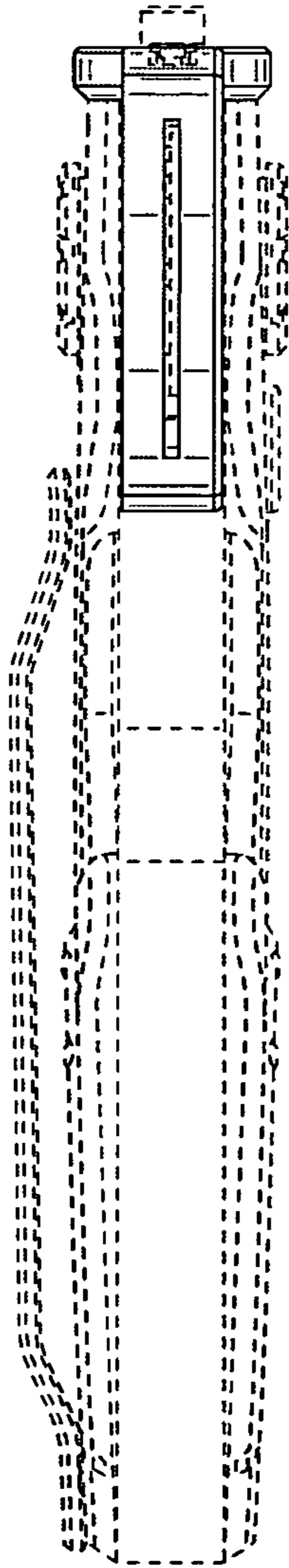


FIG. 2

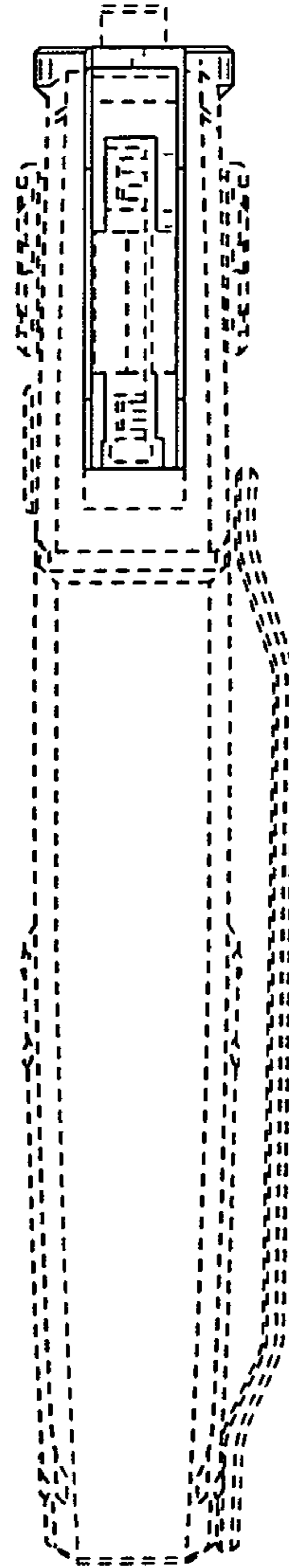


FIG. 3

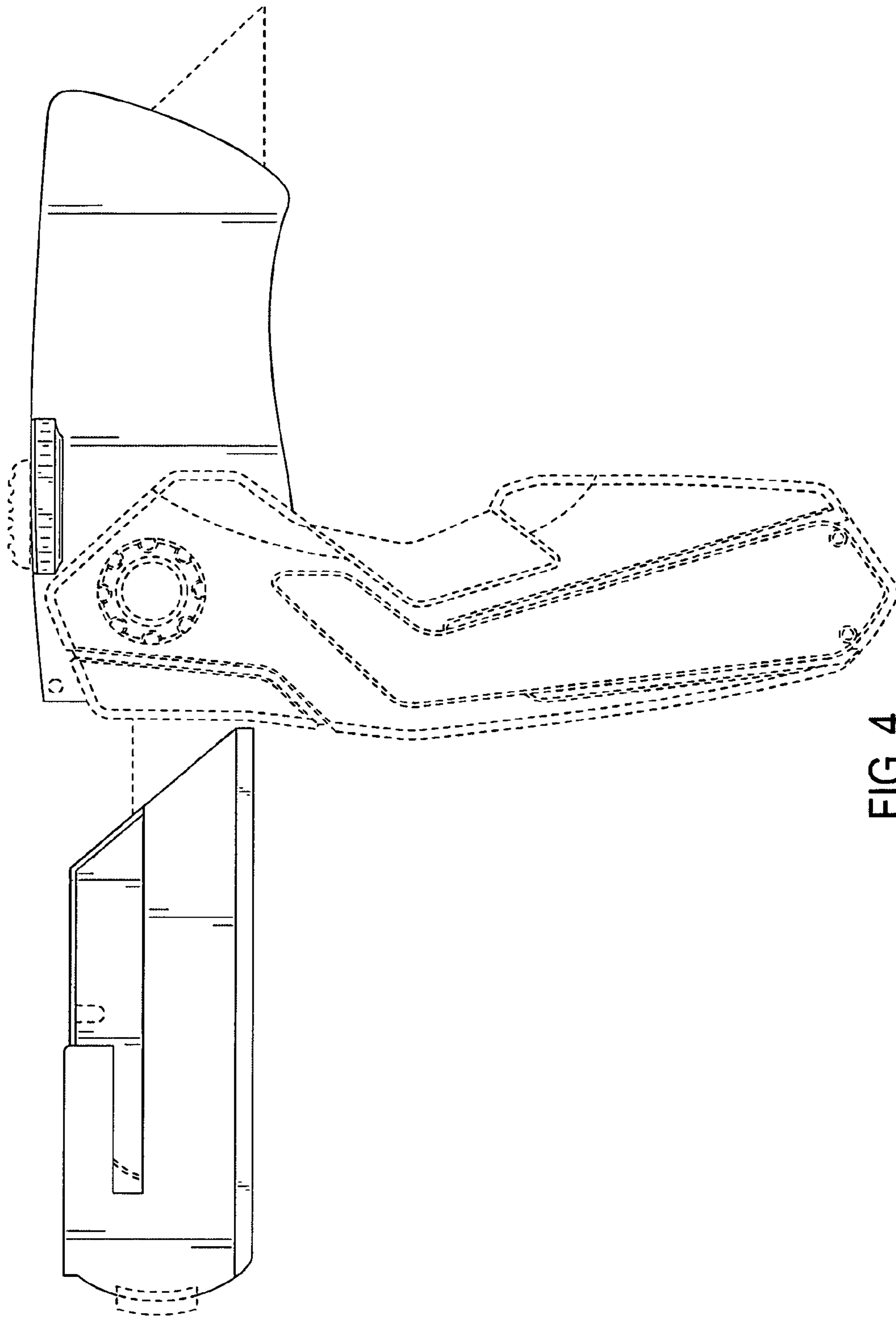


FIG. 4

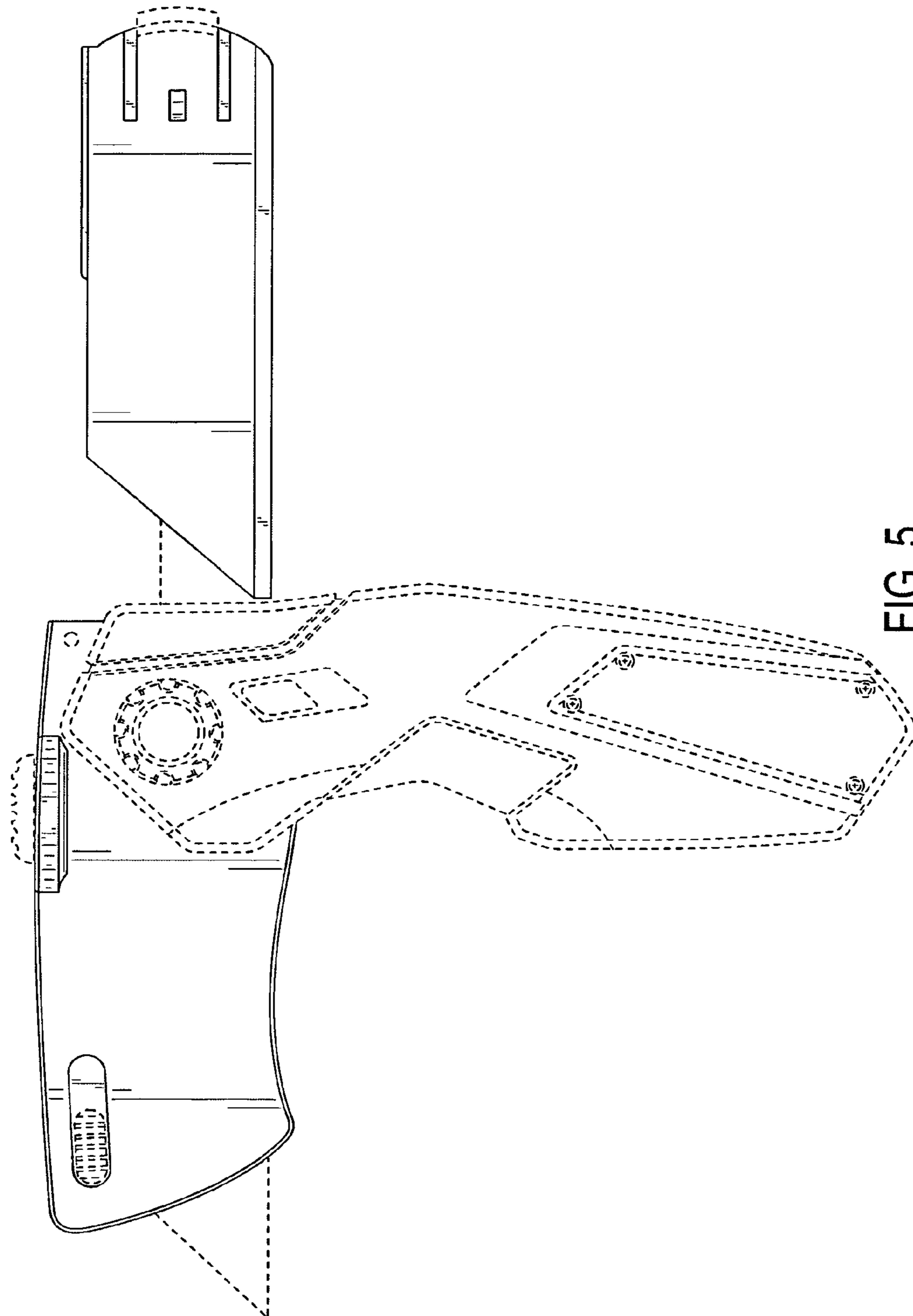


FIG. 5

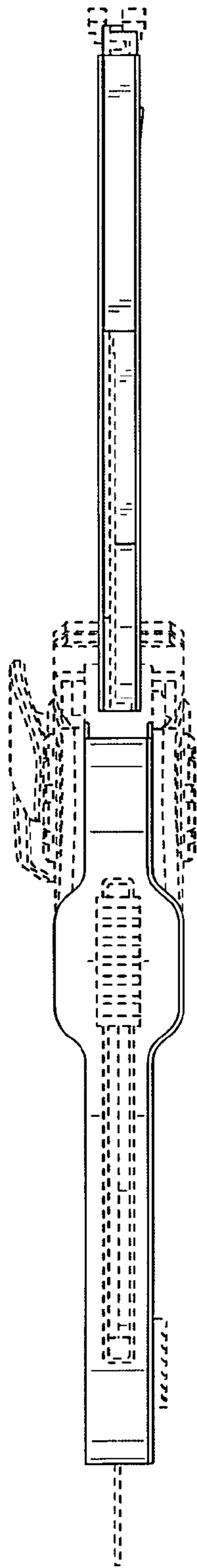


FIG. 6

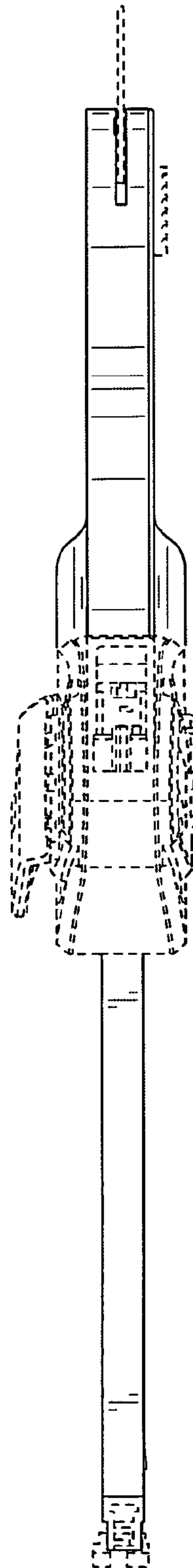


FIG. 7

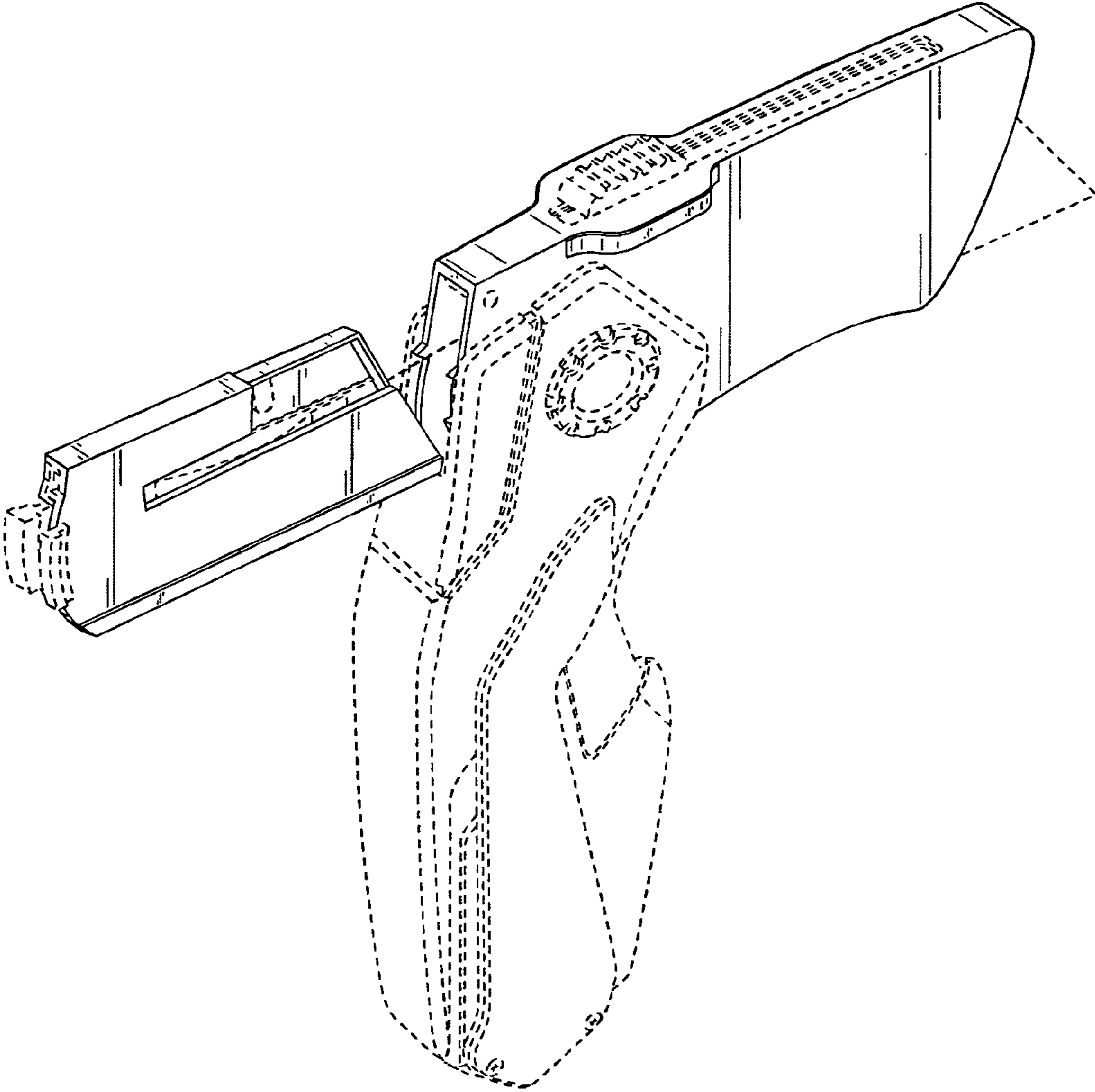


FIG. 8