



US00D686479S

(12) **United States Design Patent**
Robinson et al.

(10) **Patent No.:** **US D686,479 S**

(45) **Date of Patent:** **** Jul. 23, 2013**

(54) **TOOL HANDLE**

(75) Inventors: **Glenn Robinson**, Parkland, FL (US);
Francisco Molina, Sunrise, FL (US)

(73) Assignee: **IBT Holdings, LLC**, Deerfield Beach,
FL (US)

(**) Term: **14 Years**

(21) Appl. No.: **29/421,163**

(22) Filed: **Jun. 4, 2012**

(51) **LOC (9) Cl.** **08-04**

(52) **U.S. Cl.**
USPC **D8/83**

(58) **Field of Classification Search**
USPC D8/82-87, 98-99, 105, 107;
81/177.1-177.7, 436, 438, 489
See application file for complete search history.

(56) **References Cited**

U.S. PATENT DOCUMENTS

2,775,276	A	*	12/1956	Rossner	81/177.1
D253,030	S	*	10/1979	Breger	D8/83
D340,633	S	*	10/1993	Badiali	D8/85
D360,344	S	*	7/1995	Eggert et al.	D8/83
5,510,962	A	*	4/1996	Hsiao	362/120
D383,660	S	*	9/1997	Anderson	D8/83
D384,263	S	*	9/1997	Lin	D8/83
5,713,656	A	*	2/1998	Lin	362/120
D408,258	S	*	4/1999	Tsai	D8/107

D419,846	S	*	2/2000	Hasan	D8/83
D421,886	S	*	3/2000	Jau	D8/83
D569,210	S	*	5/2008	Chien	D8/87
D596,473	S	*	7/2009	McKenzie	D8/85
7,882,769	B2	*	2/2011	Lin	81/177.1

* cited by examiner

Primary Examiner — Susan E Krakower

Assistant Examiner — Roselynn Cody

(74) *Attorney, Agent, or Firm* — Dan M. DeLaRosa

(57) **CLAIM**

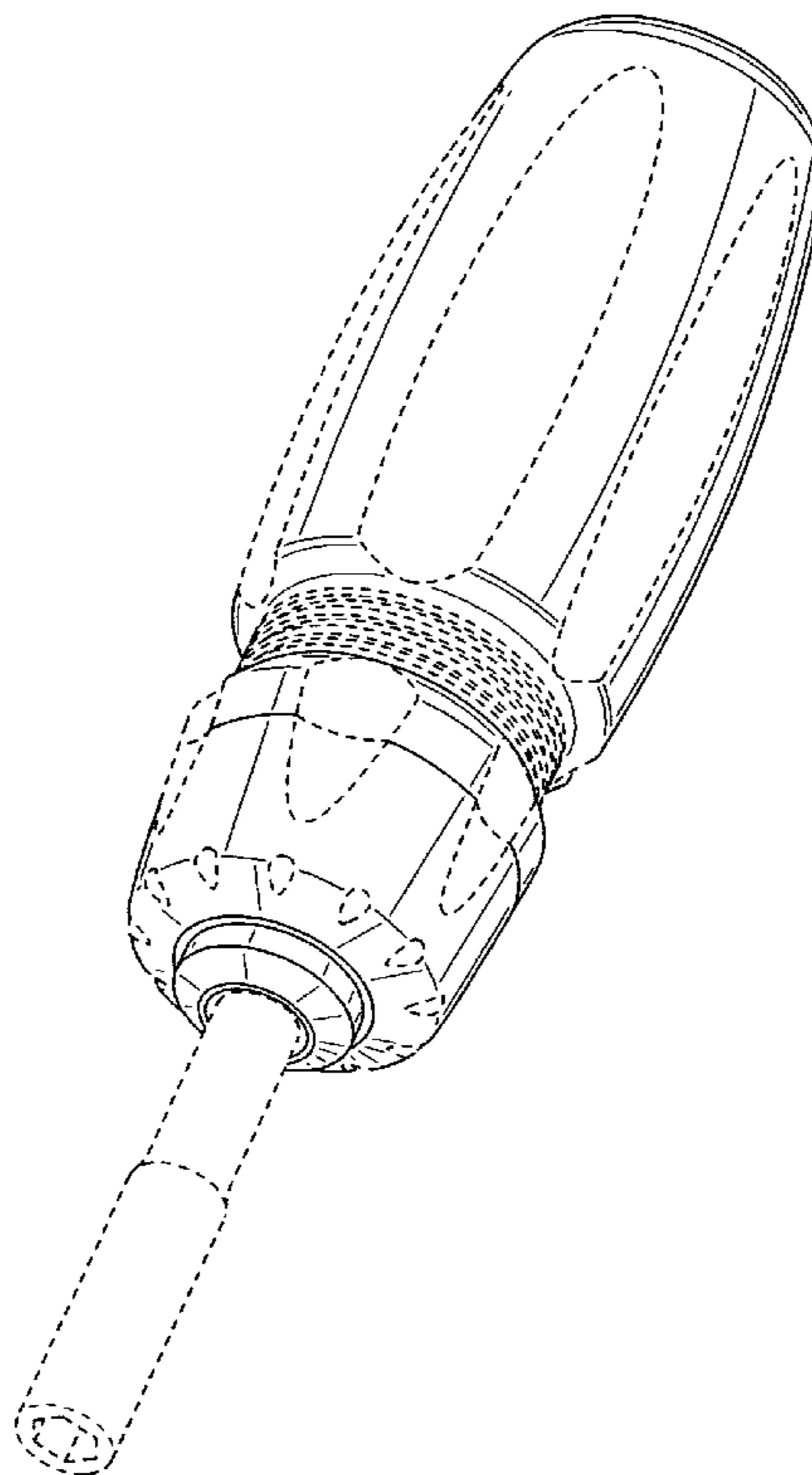
The ornamental design for a tool handle, as shown and described.

DESCRIPTION

FIG. 1 is a front perspective view of the tool handle of the present invention showing my new design; FIG. 2 is a front side elevational view thereof; FIG. 3 is a back side elevational view thereof; FIG. 4 is a side elevational view thereof; FIG. 5 is another side elevational view thereof; FIG. 6 is a bottom plan view thereof; and, FIG. 7 is a top plan view thereof.

The broken line showing of a bit holder is directed to environment and forms no part of the claimed design. All other broken lines in the drawings indicate features of the tool handle that also form no part of the claim.

1 Claim, 4 Drawing Sheets



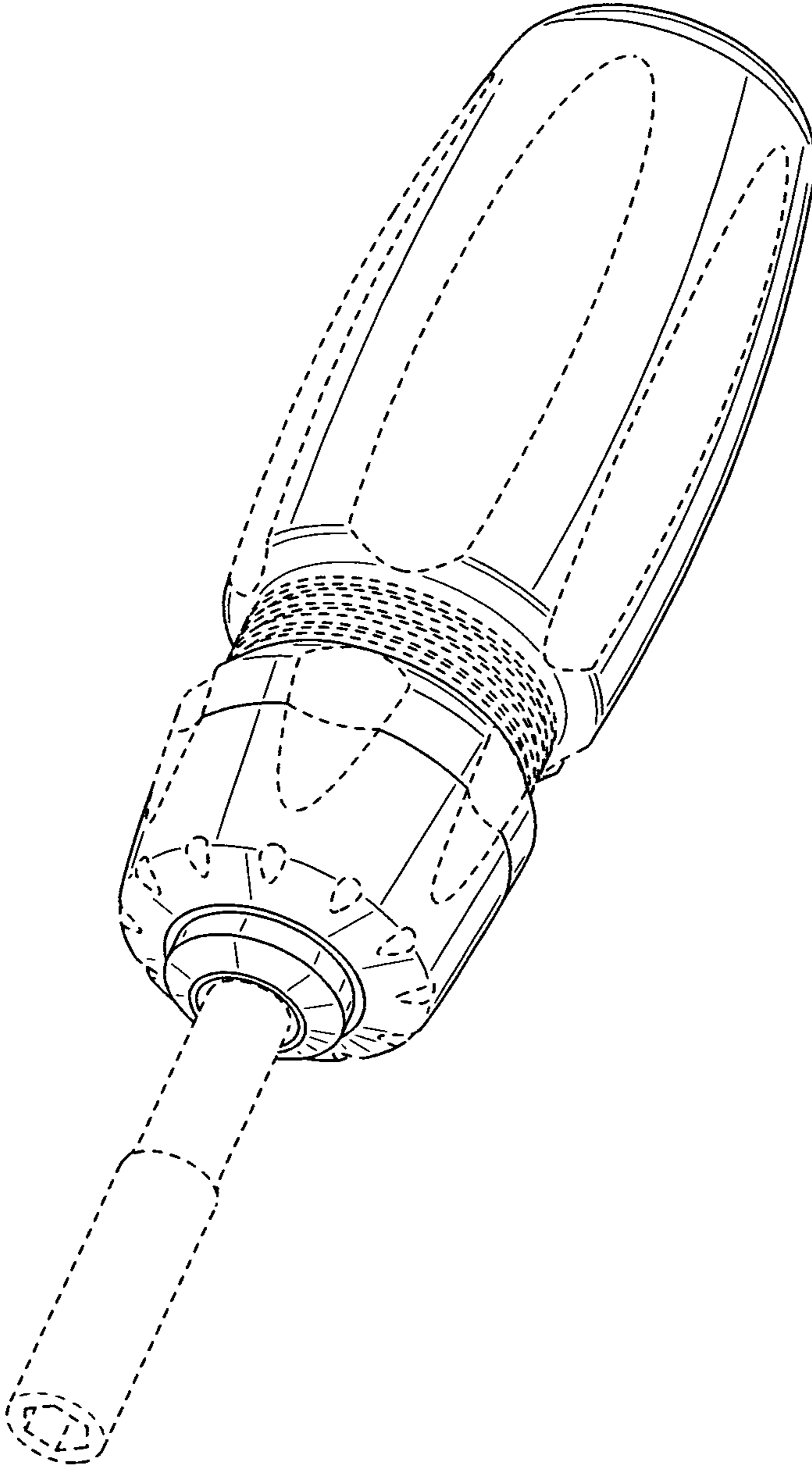


FIG. 1

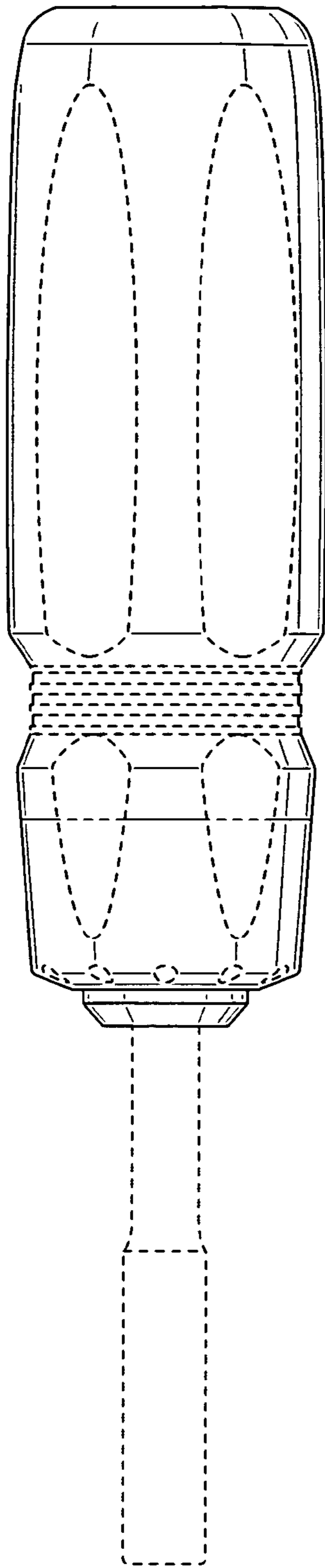


FIG. 2

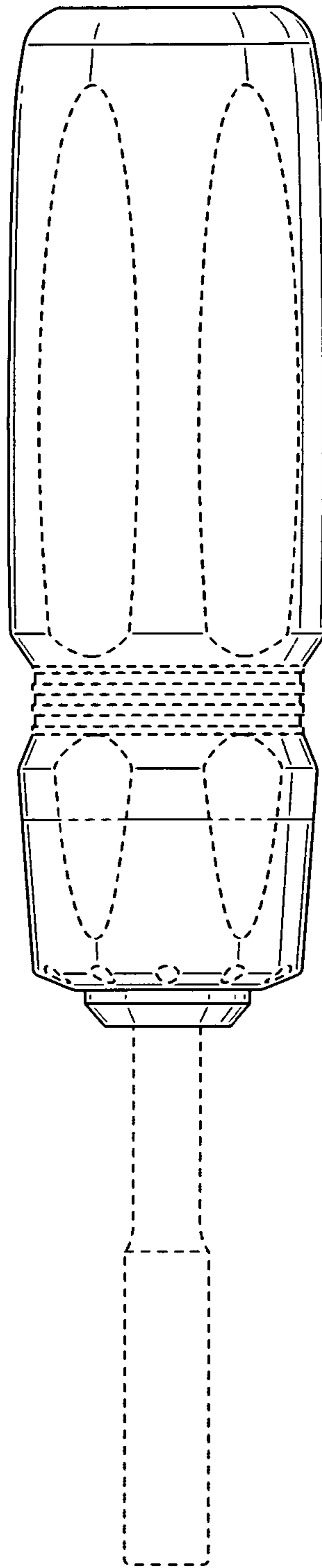


FIG. 3

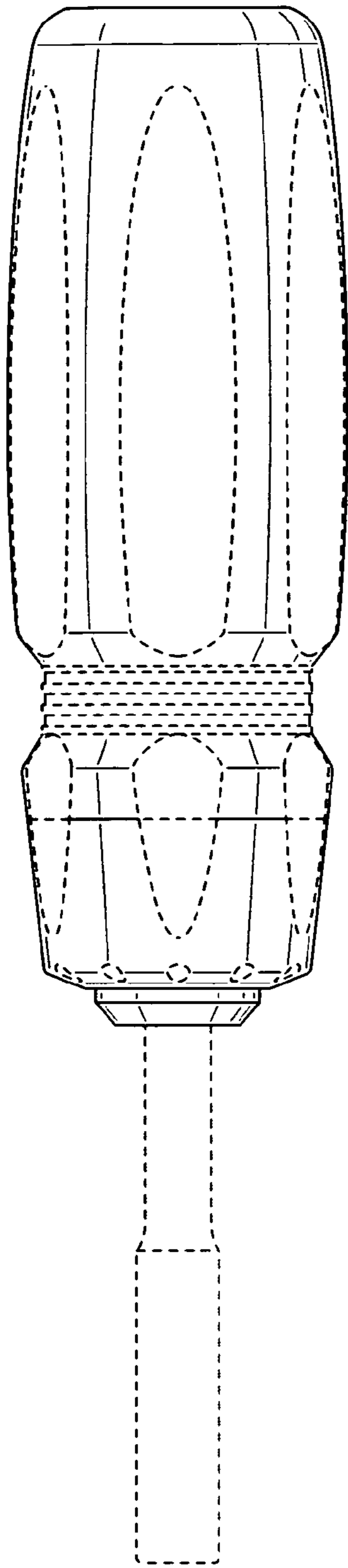


FIG. 4

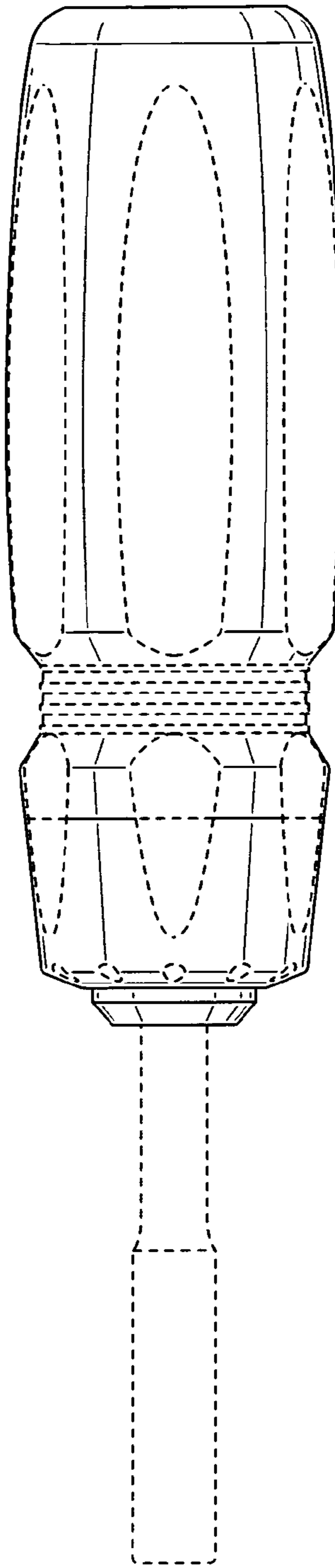


FIG. 5

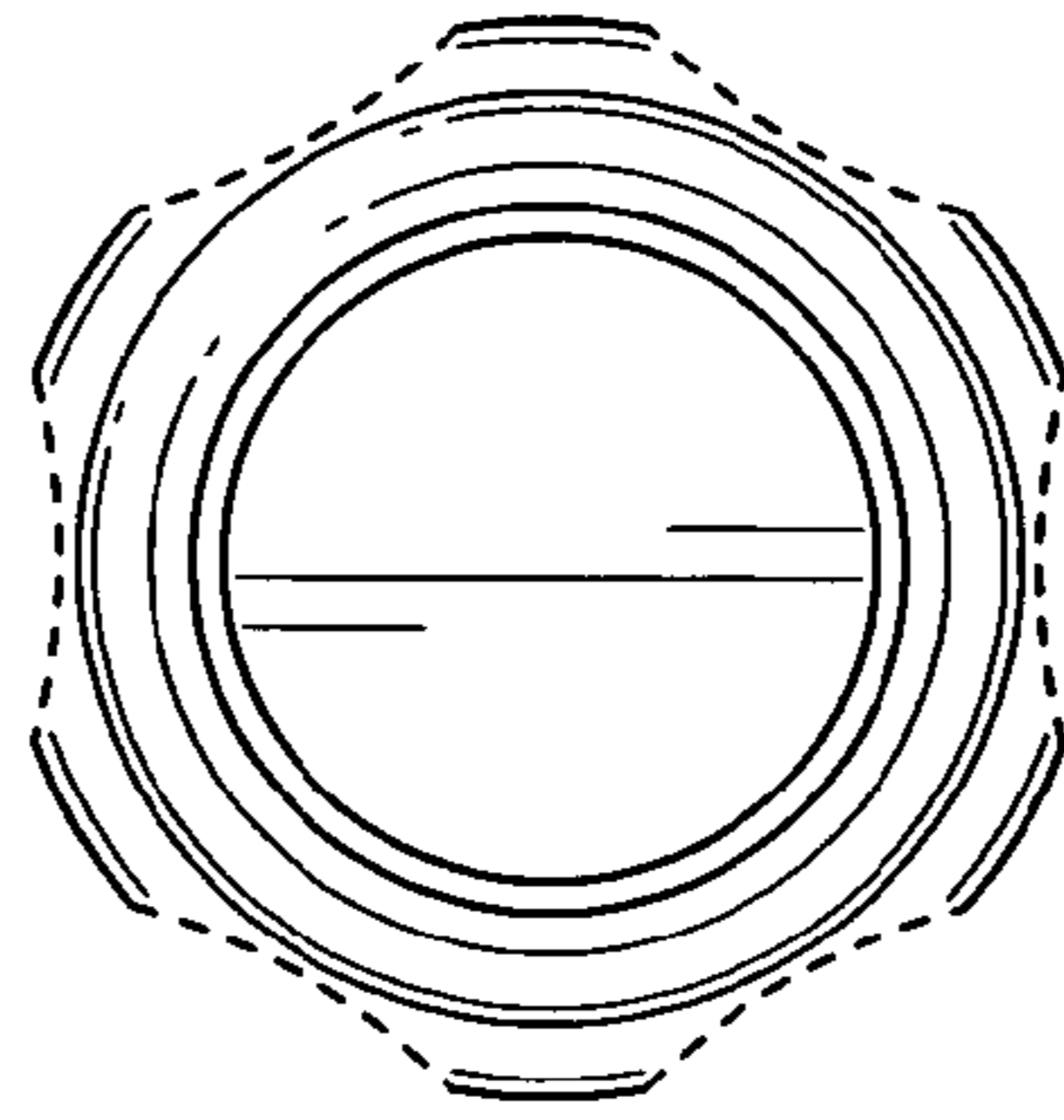


FIG. 6

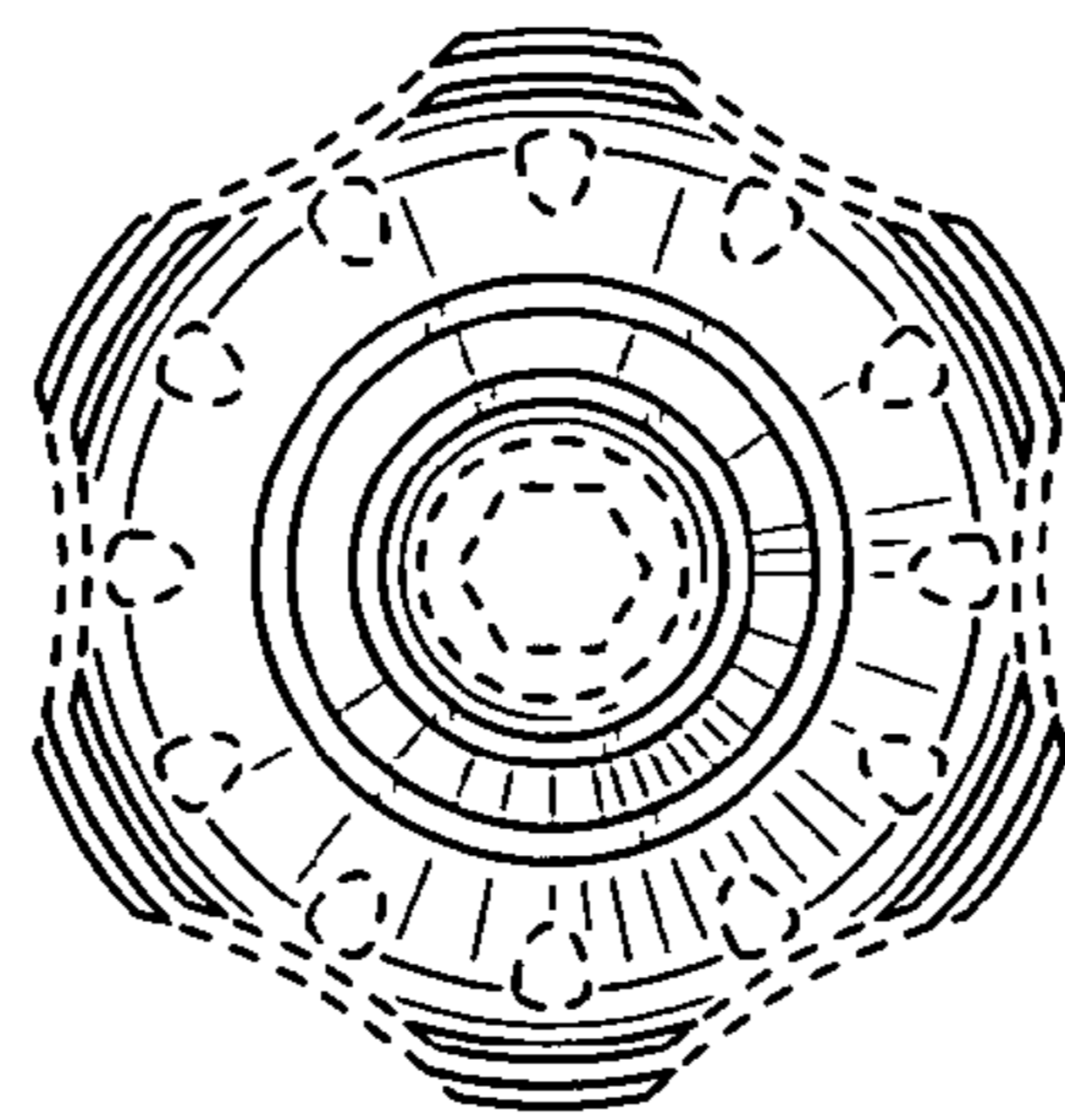


FIG. 7