



US00D686478S

(12) **United States Design Patent**
Waldron

(10) **Patent No.:** **US D686,478 S**
(45) **Date of Patent:** **** Jul. 23, 2013**

(54) **ANGLE GRINDER**

(75) Inventor: **Michael Waldron**, Pocklington (GB)

(73) Assignee: **Hutchin Exports Ltd.**, Road Town,
Tortola (VG)

(**) Term: **14 Years**

(21) Appl. No.: **29/429,708**

(22) Filed: **Aug. 15, 2012**

(51) **LOC (9) Cl.** **08-01**

(52) **U.S. Cl.**
USPC **D8/62**

(58) **Field of Classification Search**

USPC D32/15, 17, 19; D8/67, 62, 61; D4/102;
451/456, 451, 359, 358, 357, 356, 355, 354,
451/353, 351, 344; 310/50; 173/170
See application file for complete search history.

(56) **References Cited**

U.S. PATENT DOCUMENTS

D217,427 S * 5/1970 Slany D8/62
D218,277 S * 8/1970 Boldt D8/62
D305,399 S * 1/1990 Fushiya et al. D8/62
D322,016 S * 12/1991 Thurler et al. D8/62
D506,662 S * 6/2005 Watson D8/62

D544,324 S * 6/2007 Waldron D8/62
D557,580 S * 12/2007 Aglassinger D8/62
D568,703 S * 5/2008 Jiang D8/62

* cited by examiner

Primary Examiner — Austin Murphy

(74) *Attorney, Agent, or Firm* — Buchanan Nipper

(57) **CLAIM**

I claim the ornamental design for an angle grinder, substantially as shown and described:

DESCRIPTION

FIG. 1 is a rear perspective view of an angle grinder showing my design;

FIG. 2 is a left side view thereof;

FIG. 3 is a right side view thereof;

FIG. 4 is a top plan view thereof;

FIG. 5 is a bottom plan view thereof;

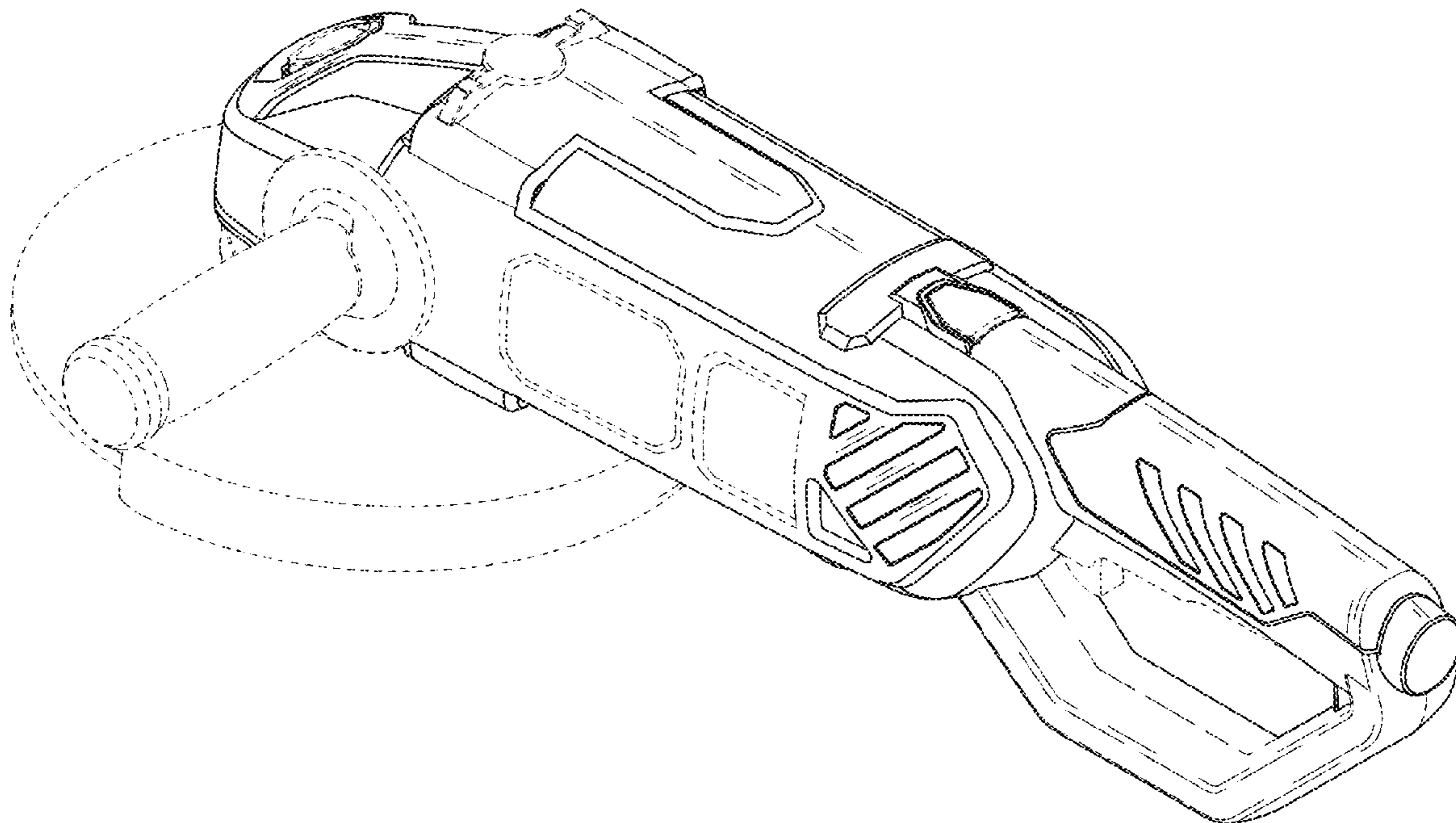
FIG. 6 is a front side view thereof; and,

FIG. 7 is a rear side view thereof.

Features shown in dashed lines are for illustrative purposes only, and form no part of the claimed design.

The shade lines in the Figures show contour and not surface ornamentation, and form no part of the claimed design.

1 Claim, 7 Drawing Sheets



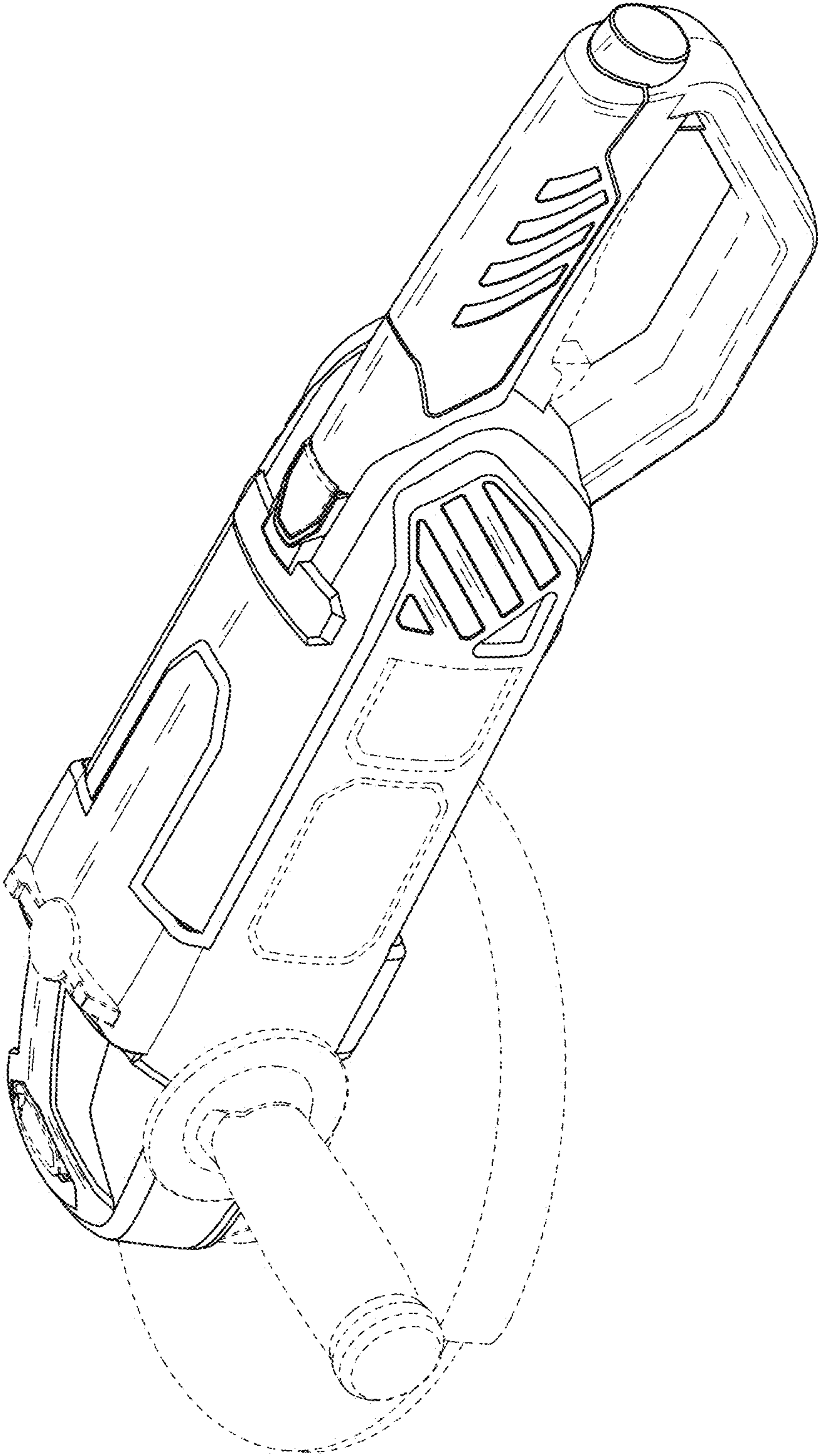


FIG.1

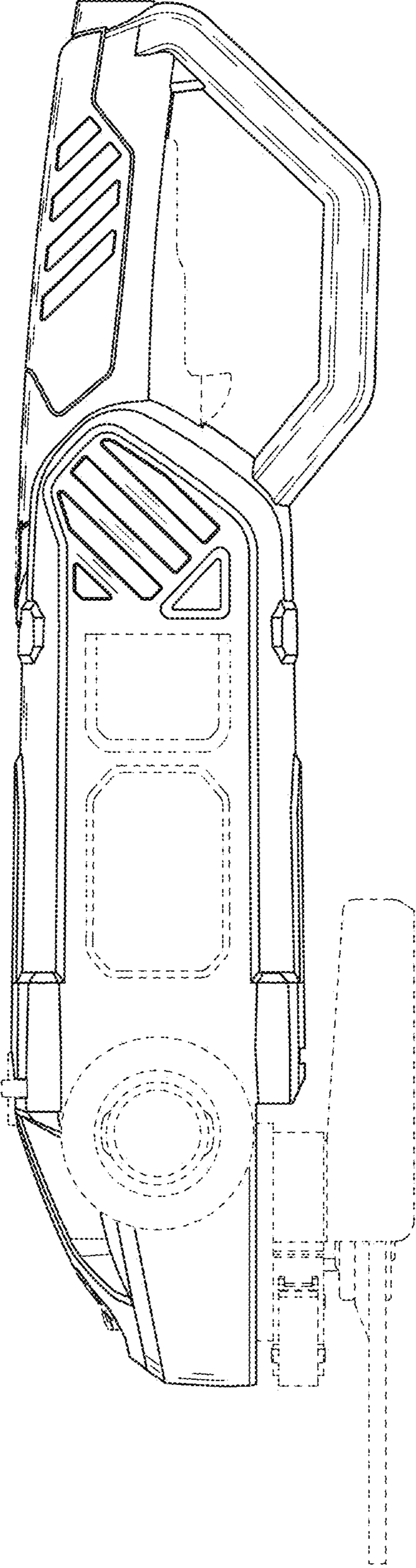


FIG.2

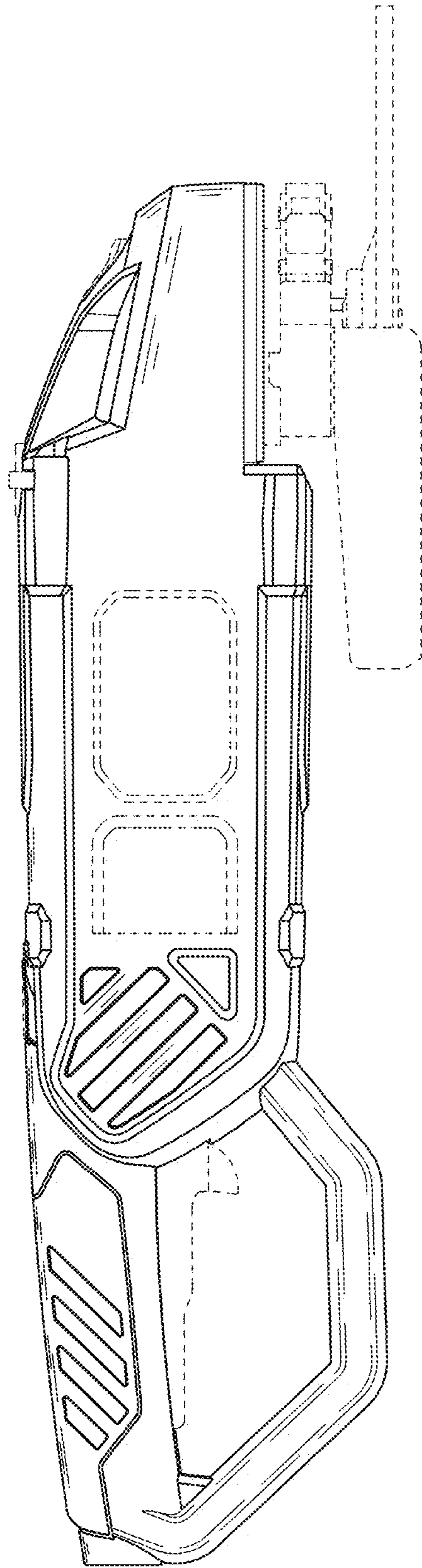


FIG.3

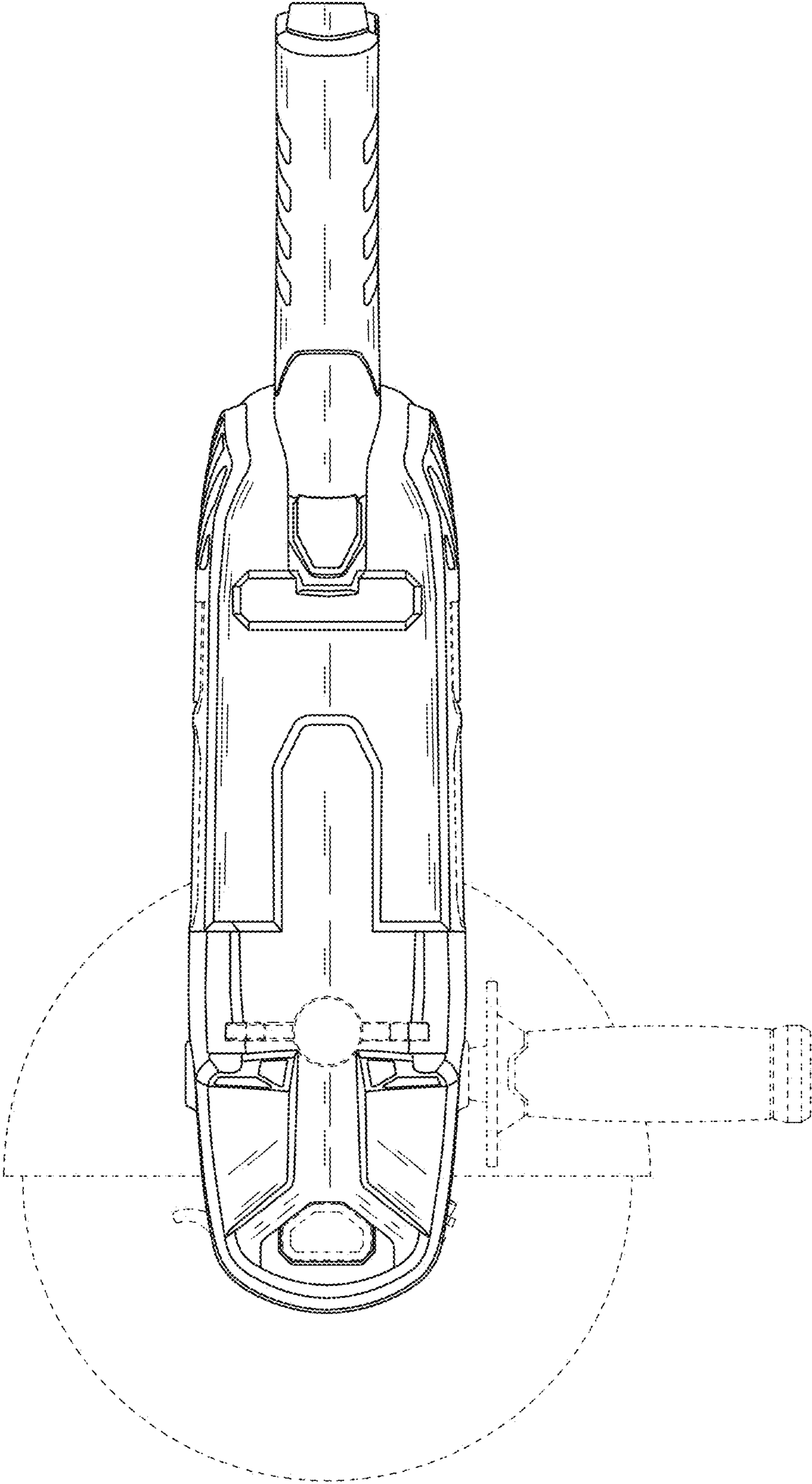


FIG. 4

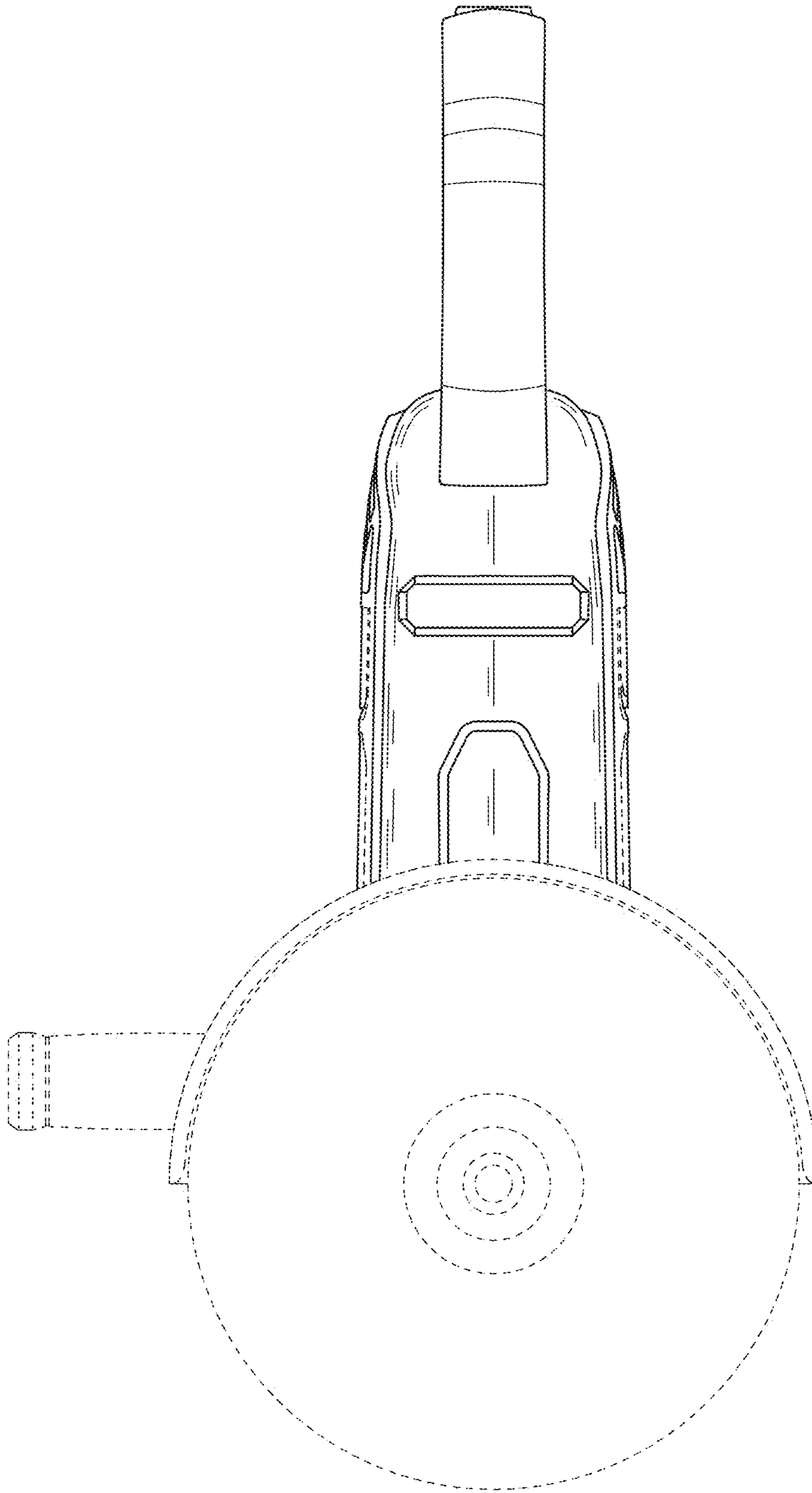


FIG. 5

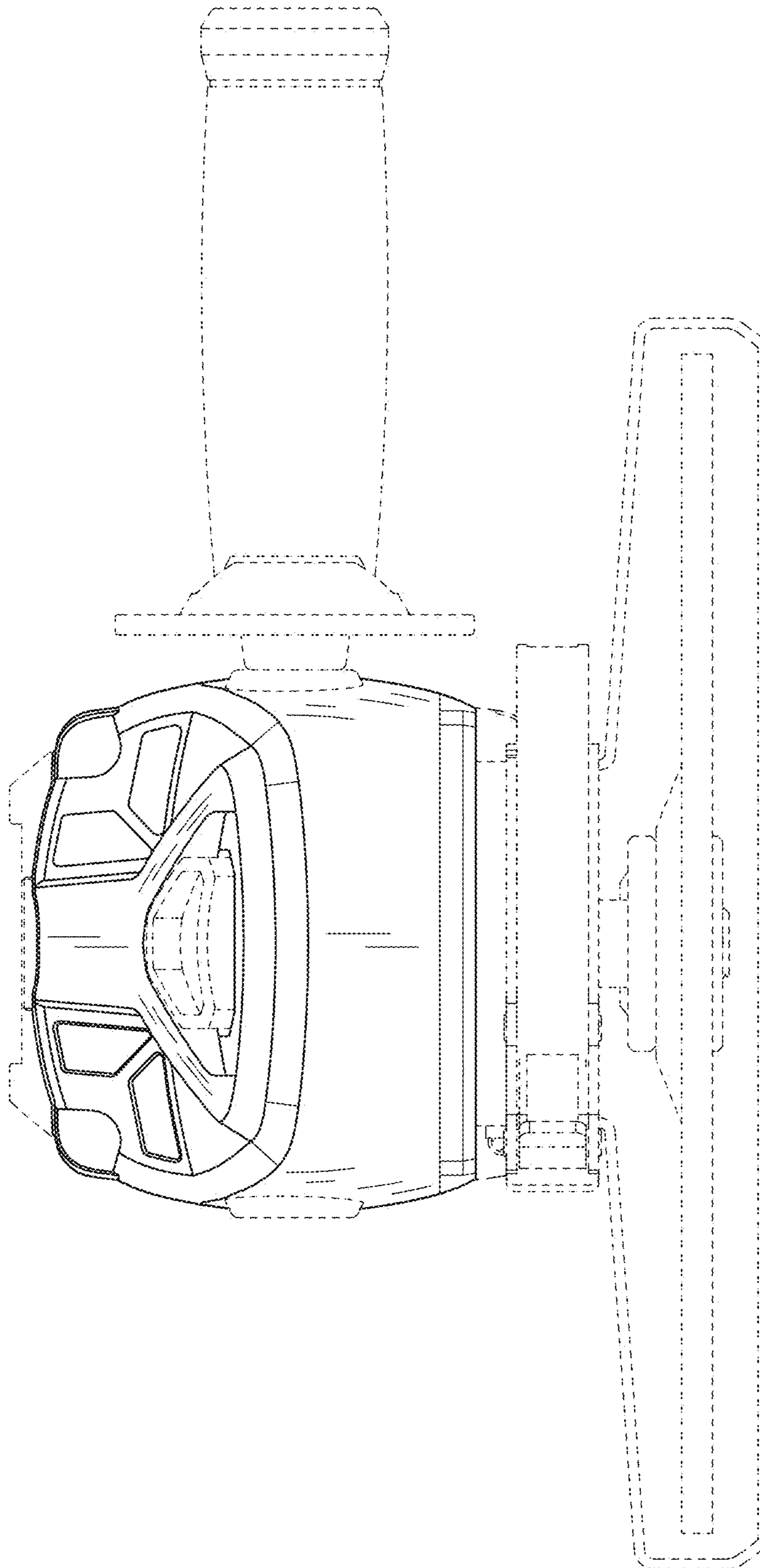


FIG.6

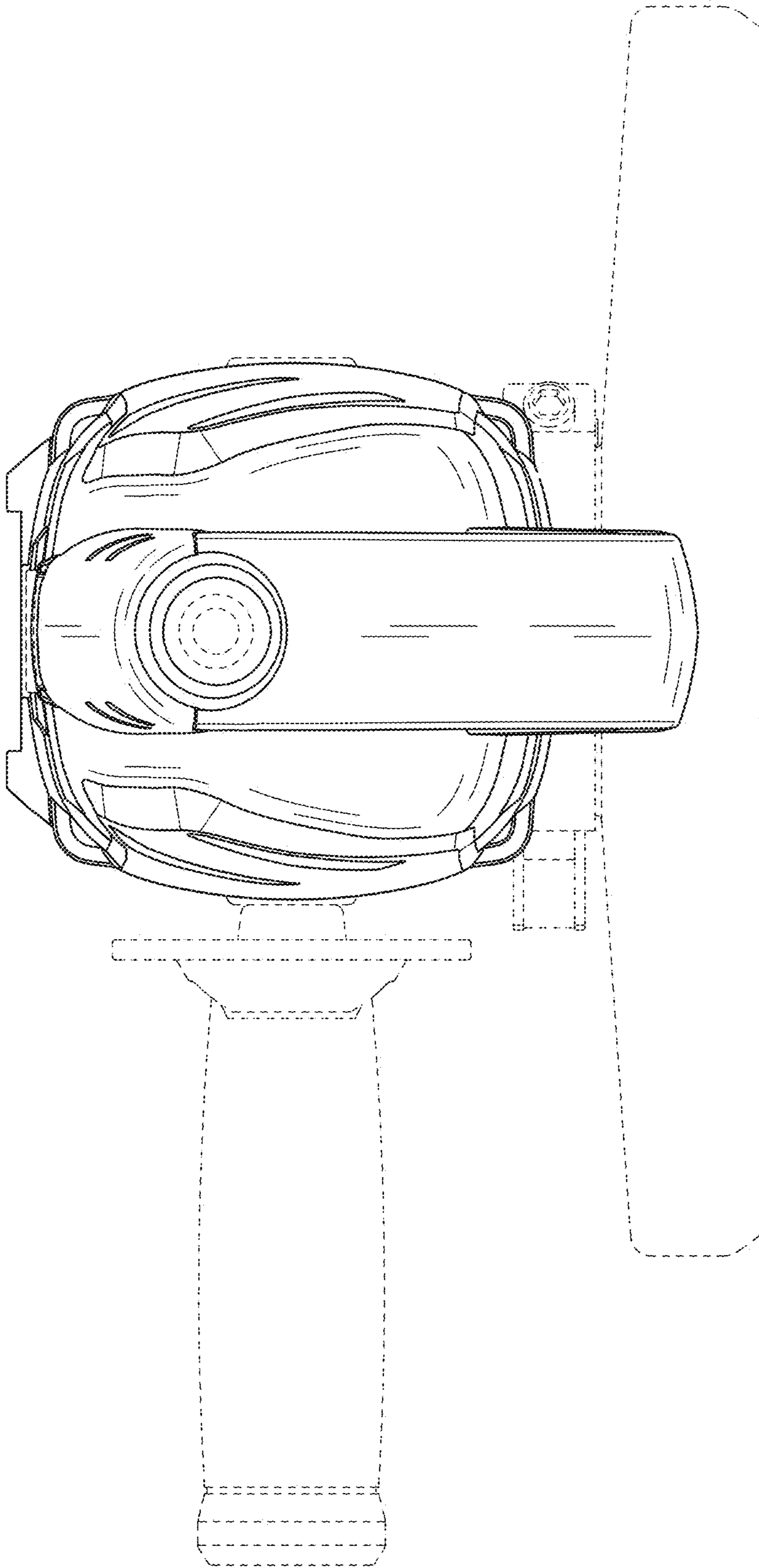


FIG.7