



US00D686473S

(12) **United States Design Patent**  
**Nam**

(10) **Patent No.:** **US D686,473 S**

(45) **Date of Patent:** **\*\* Jul. 23, 2013**

(54) **WRENCH**  
(71) Applicant: **W.State Co., Ltd.**, Seoul (KR)  
(72) Inventor: **Duck Hyun Nam**, Seoul (KR)  
(73) Assignee: **W.State Co., Ltd.**, Seoul (KR)  
(\*\*) Term: **14 Years**

6,276,240	B1 *	8/2001	Blacklock	81/119
6,289,772	B1 *	9/2001	Ying-Wen	81/119
6,305,252	B1 *	10/2001	Hsu	81/186
6,389,933	B1 *	5/2002	Chen	81/119
D462,245	S *	9/2002	Friedman et al.	D8/21
6,443,038	B2 *	9/2002	Hsieh	81/119
6,848,343	B2 *	2/2005	Wu	81/170
7,201,085	B1 *	4/2007	Hsieh	81/177.1
D636,649	S *	4/2011	Christopher	D8/28

\* cited by examiner

(21) Appl. No.: **29/437,053**  
(22) Filed: **Nov. 13, 2012**  
(51) **LOC (9) Cl.** ..... **08-05**  
(52) **U.S. Cl.**  
USPC ..... **D8/28**  
(58) **Field of Classification Search**  
USPC ..... D8/17, 21, 27, 28; 81/90.1, 119,  
81/176.1, 176.2, 125.1, 177.1, 186  
See application file for complete search history.

*Primary Examiner* — Randall Gholson  
(74) *Attorney, Agent, or Firm* — Ladas & Parry LLP

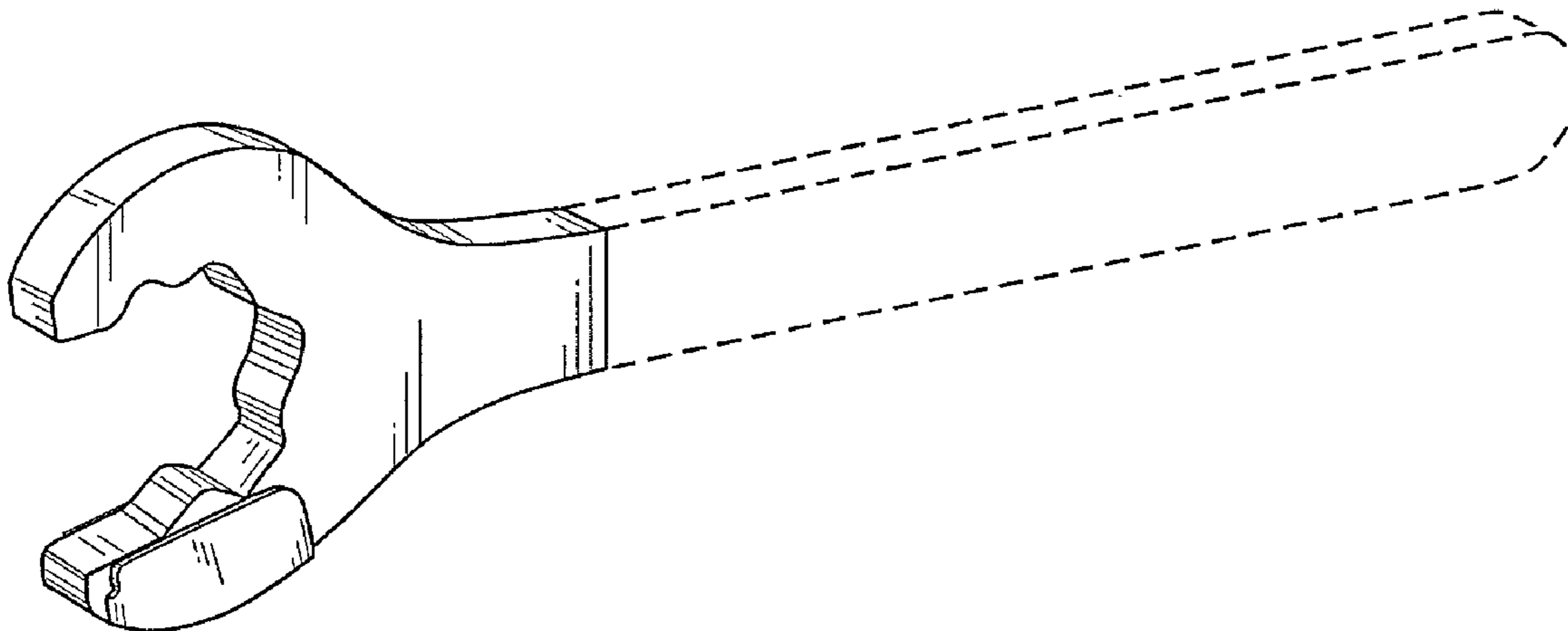
(57) **CLAIM**  
The ornamental design for a wrench, as shown and described.

**DESCRIPTION**

FIG. 1 is a perspective view from above and to one side of the wrench embodying our new design;  
FIG. 2 is a front elevational view thereof;  
FIG. 3 is a rear elevational view thereof;  
FIG. 4 is a left side elevational view thereof;  
FIG. 5 is a right side elevational view thereof;  
FIG. 6 is a top plan view thereof; and,  
FIG. 7 is a bottom plan view thereof.  
The broken lines in the drawings are by way of illustration only and form no part of the claimed design.

(56) **References Cited**  
**U.S. PATENT DOCUMENTS**  
5,533,428 A \* 7/1996 Pradelski ..... 81/179  
5,582,082 A \* 12/1996 Gajo ..... 81/111  
D431,764 S \* 10/2000 Pai ..... D8/28  
D433,606 S \* 11/2000 Chen ..... D8/28

**1 Claim, 2 Drawing Sheets**



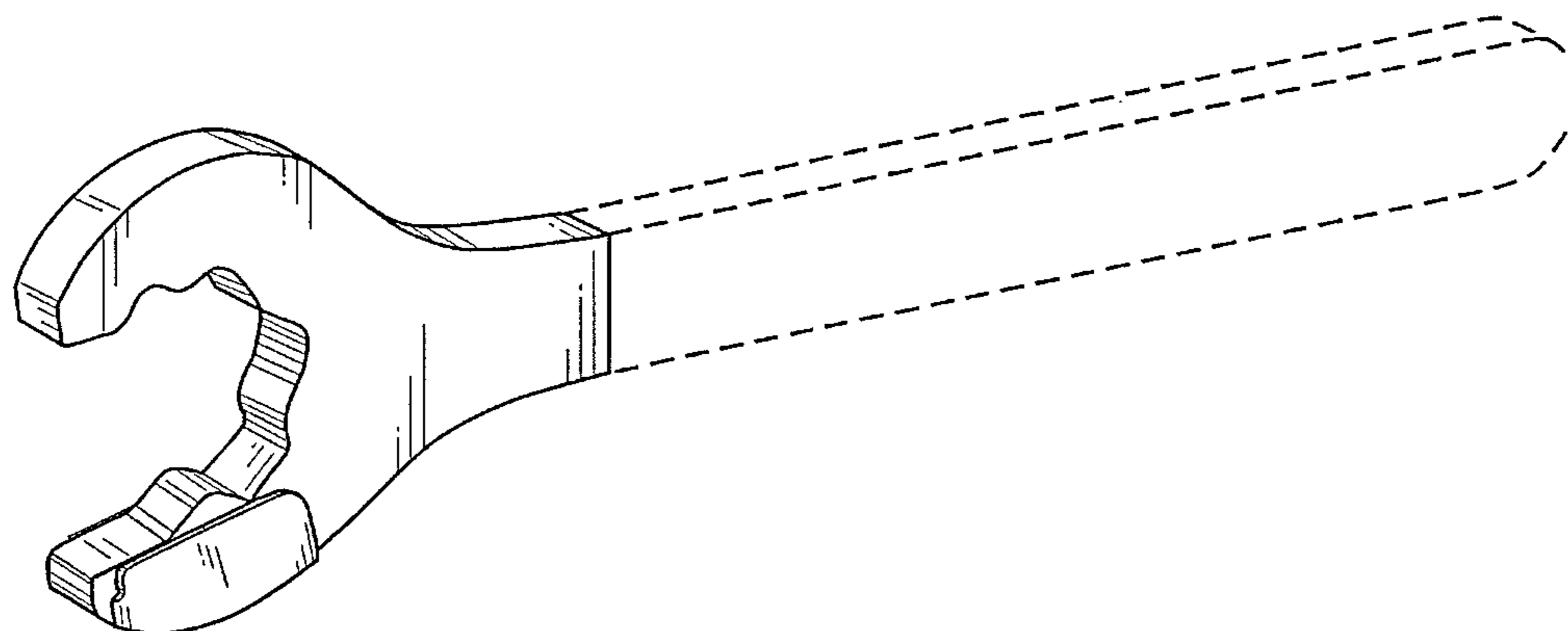


FIG. 1

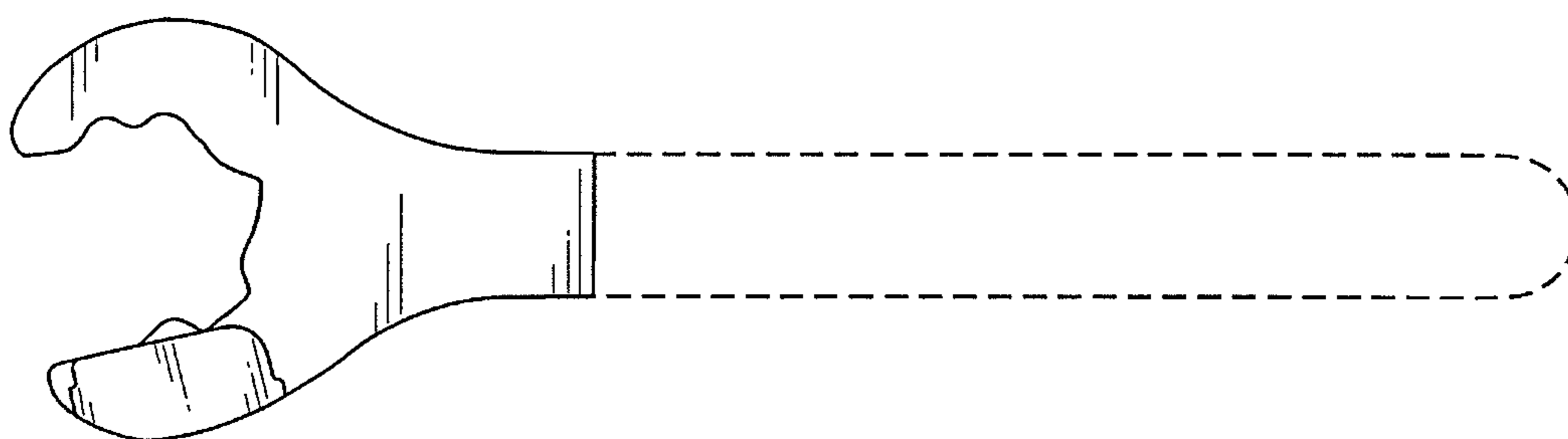


FIG. 2

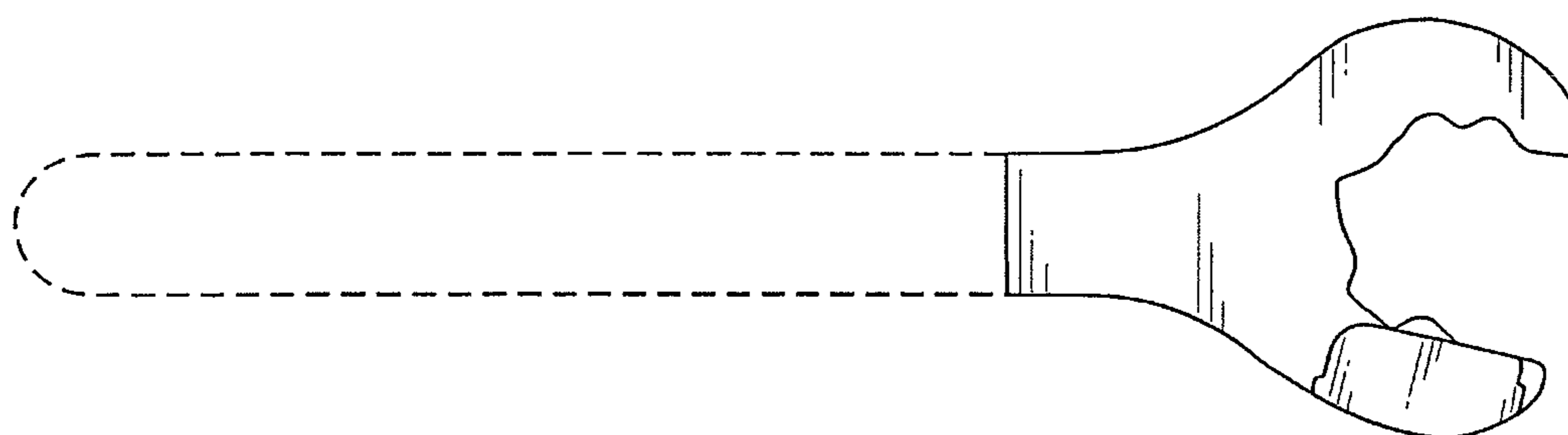


FIG. 3



FIG. 4

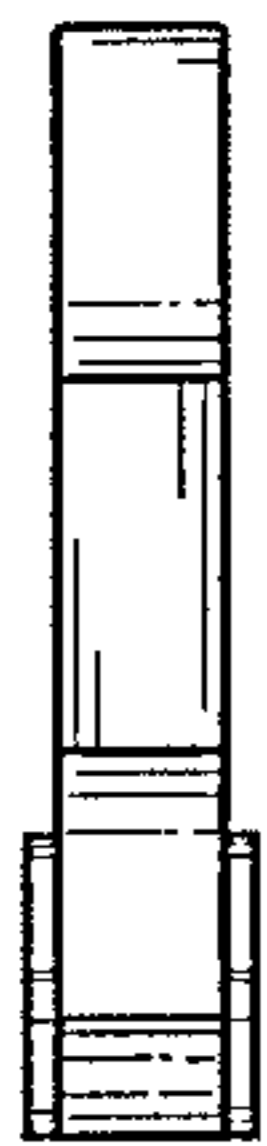


FIG. 5

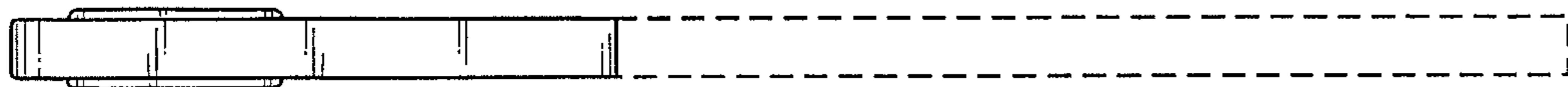


FIG. 6



FIG. 7