



US00D686470S

(12) **United States Design Patent**
Ji

(10) **Patent No.:** **US D686,470 S**

(45) **Date of Patent:** **** Jul. 23, 2013**

- (54) **RECIPROCATING SAW BLADE**
- (75) Inventor: **Shenghua Ji**, Zhejiang (CN)
- (73) Assignee: **Haiyan United Hacksaw Factory**,
Haiyan, Zhejiang (CN)
- (**) Term: **14 Years**
- (21) Appl. No.: **29/432,098**
- (22) Filed: **Sep. 13, 2012**
- (51) **LOC (9) Cl.** **08-03**
- (52) **U.S. Cl.**
USPC **D8/20**
- (58) **Field of Classification Search**
USPC D8/14, 16, 18–20, 45, 47, 64, 66,
D8/67, 90–99; D15/127, 133, 138, 139;
D22/118; D24/146; 7/118, 148; 30/142, 144,
30/165, 166.3, 168, 169, 272.1, 314, 320,
30/346, 346.5, 346.55, 346.56, 349, 351,
30/355–357
See application file for complete search history.

D482,945 S *	12/2003	Grolimund	D8/20
D527,233 S *	8/2006	Burke, III	D8/20
D637,876 S *	5/2011	Williams	D8/20
2008/0172890 A1 *	7/2008	Shetterly	30/355
2009/0144992 A1 *	6/2009	Bucks	30/355

* cited by examiner

Primary Examiner — Garth Rademaker

(74) *Attorney, Agent, or Firm* — Robert L. Stearns; Dickinson Wright, PLLC

(57) **CLAIM**

I claim the ornamental design for a reciprocating saw blade, as shown herein.

DESCRIPTION

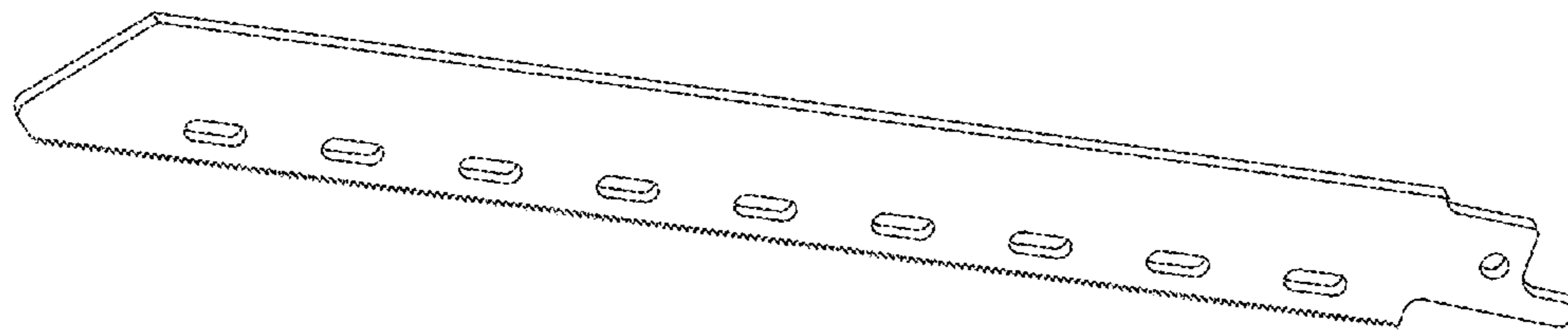
FIG. 1 is a perspective view of a reciprocating saw blade showing the claimed design;
 FIG. 2 is a front elevation view of the reciprocating saw blade of FIG. 1,
 FIG. 3 is a rear elevation view of the reciprocating saw blade of FIG. 1,
 FIG. 4 is a right side view of the reciprocating saw blade of FIG. 1,
 FIG. 5 is a left side view of the reciprocating saw blade of FIG. 1,
 FIG. 6 is a top view of the reciprocating saw blade of FIG. 1;
 and,
 FIG. 7 is a bottom view of the reciprocating saw blade of FIG. 1.

1 Claim, 2 Drawing Sheets

(56) **References Cited**

U.S. PATENT DOCUMENTS

2,338,007 A *	12/1943	Morris	30/351
D306,817 S *	3/1990	McMorrough	D8/95
D307,381 S *	4/1990	Kirkpatrick et al.	D8/95
D465,138 S *	11/2002	Raines	D8/20
D479,106 S *	9/2003	Robertsson	D8/20



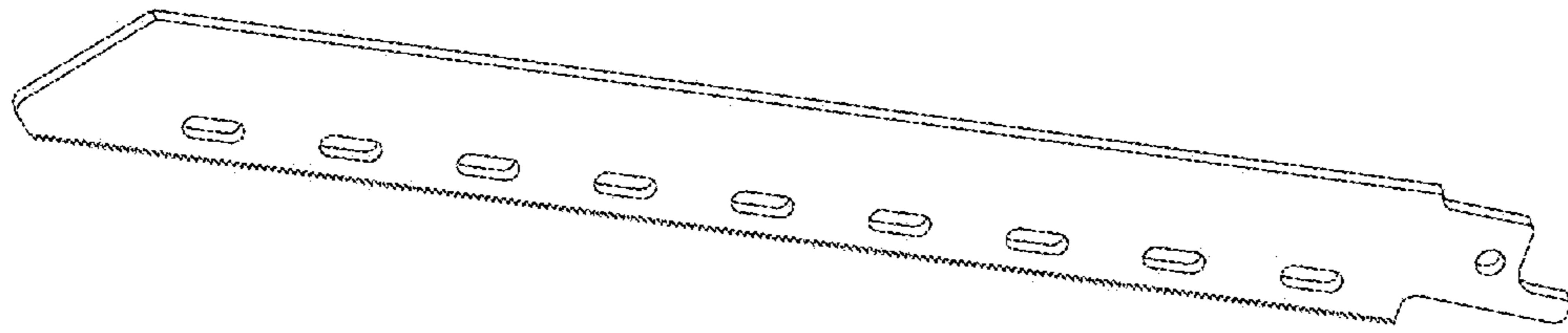


Fig.1

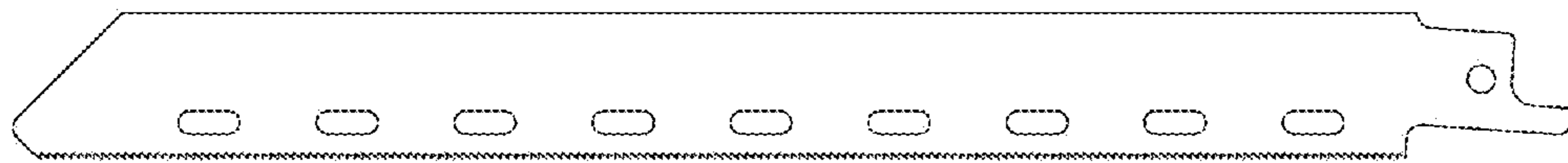


Fig.2

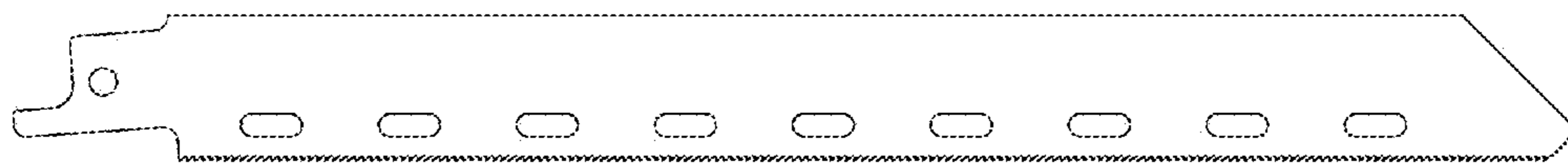


Fig.3

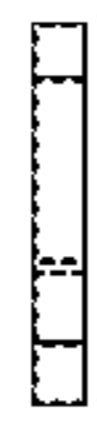


Fig.4

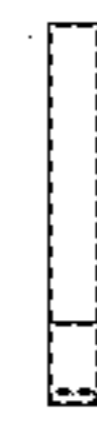


Fig.5

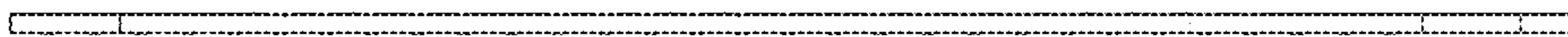


Fig.6



Fig.7