



US00D686466S

(12) **United States Design Patent**
Carter

(10) **Patent No.:** **US D686,466 S**

(45) **Date of Patent:** **** Jul. 23, 2013**

(54) **DRINK HOLDER**

(76) Inventor: **Kevin Carter**, Toronto (CA)

(**) Term: **14 Years**

(21) Appl. No.: **29/432,070**

(22) Filed: **Sep. 13, 2012**

(51) **LOC (9) Cl.** **07-06**

(52) **U.S. Cl.**
USPC **D7/625**

(58) **Field of Classification Search**

USPC D7/619.1-625, 606, 604, 514, 515;
220/915.1, 915.2, 902, 903; 62/457.1-457.9,
62/371, 372; 428/11, 542.4

See application file for complete search history.

(56) **References Cited**

U.S. PATENT DOCUMENTS

D243,578 S *	3/1977	Danat	D7/515
D314,492 S *	2/1991	Weller et al.	D7/623
D337,242 S *	7/1993	Steinfels, III	D7/623
D349,216 S *	8/1994	Steinfels, III	D7/623
D352,211 S *	11/1994	Rucks	D7/625
D370,836 S *	6/1996	Van Blankenburg	D7/625

D428,309 S *	7/2000	Schlotthauer	D7/625
D442,833 S *	5/2001	Shuman	D7/608
D599,625 S *	9/2009	Lessells	D7/625

* cited by examiner

Primary Examiner — Terry Wallace

(74) *Attorney, Agent, or Firm* — Lorelei G. Graham

(57) **CLAIM**

The ornamental design of a drink holder, as shown and described.

DESCRIPTION

FIG. 1 is a front perspective view of the drink holder showing my new design, a cup is shown in broken lines for illustrative purposes only and forms no part of the claimed design.

FIG. 2 is a front perspective view thereof.

FIG. 3 is a bottom perspective view thereof.

FIG. 4 is a right side view thereof.

FIG. 5 is a front view thereof.

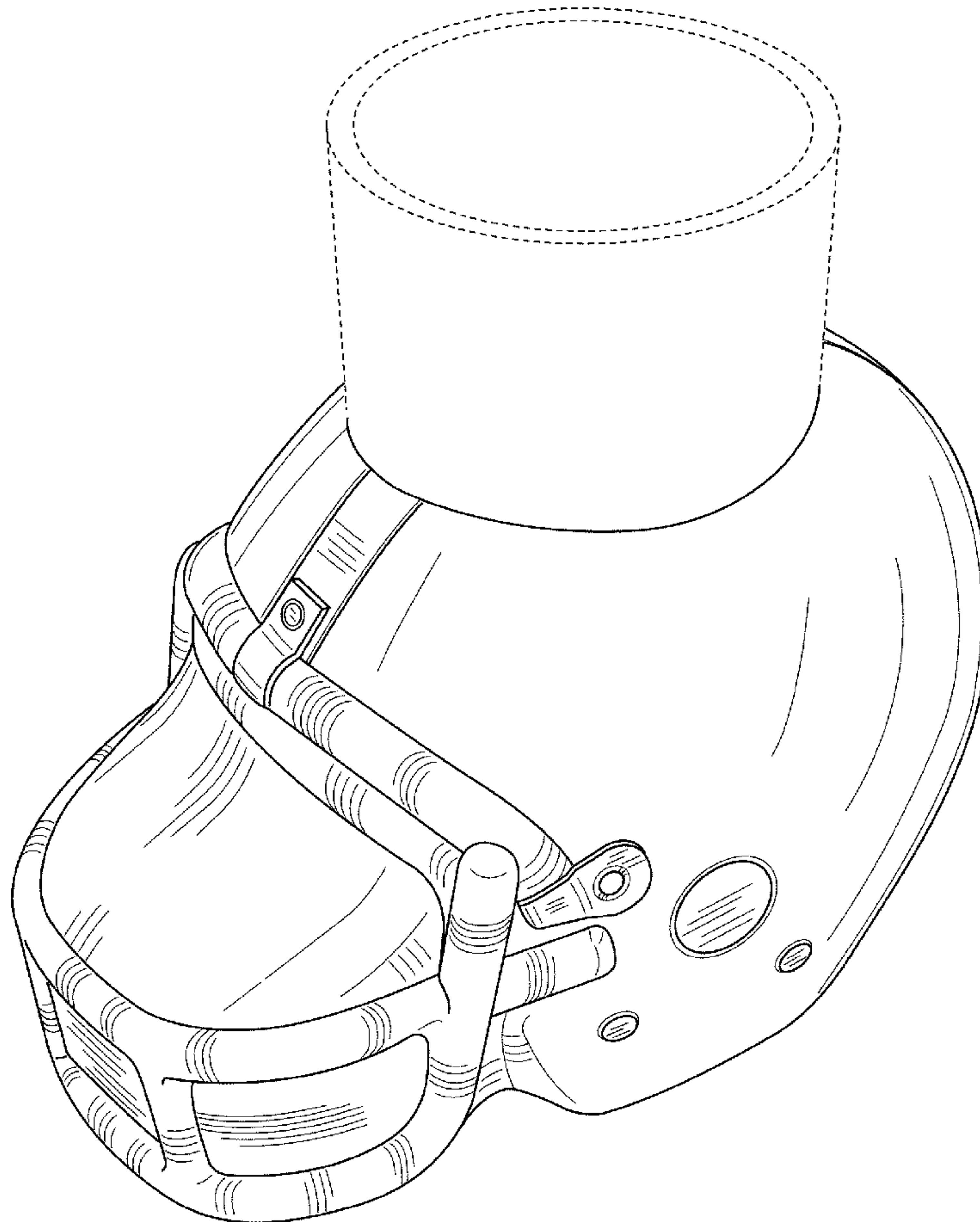
FIG. 6 is a left side view thereof.

FIG. 7 is a rear view thereof.

FIG. 8 is a top plan view thereof; and,

FIG. 9 is a bottom plan view thereof.

1 Claim, 8 Drawing Sheets



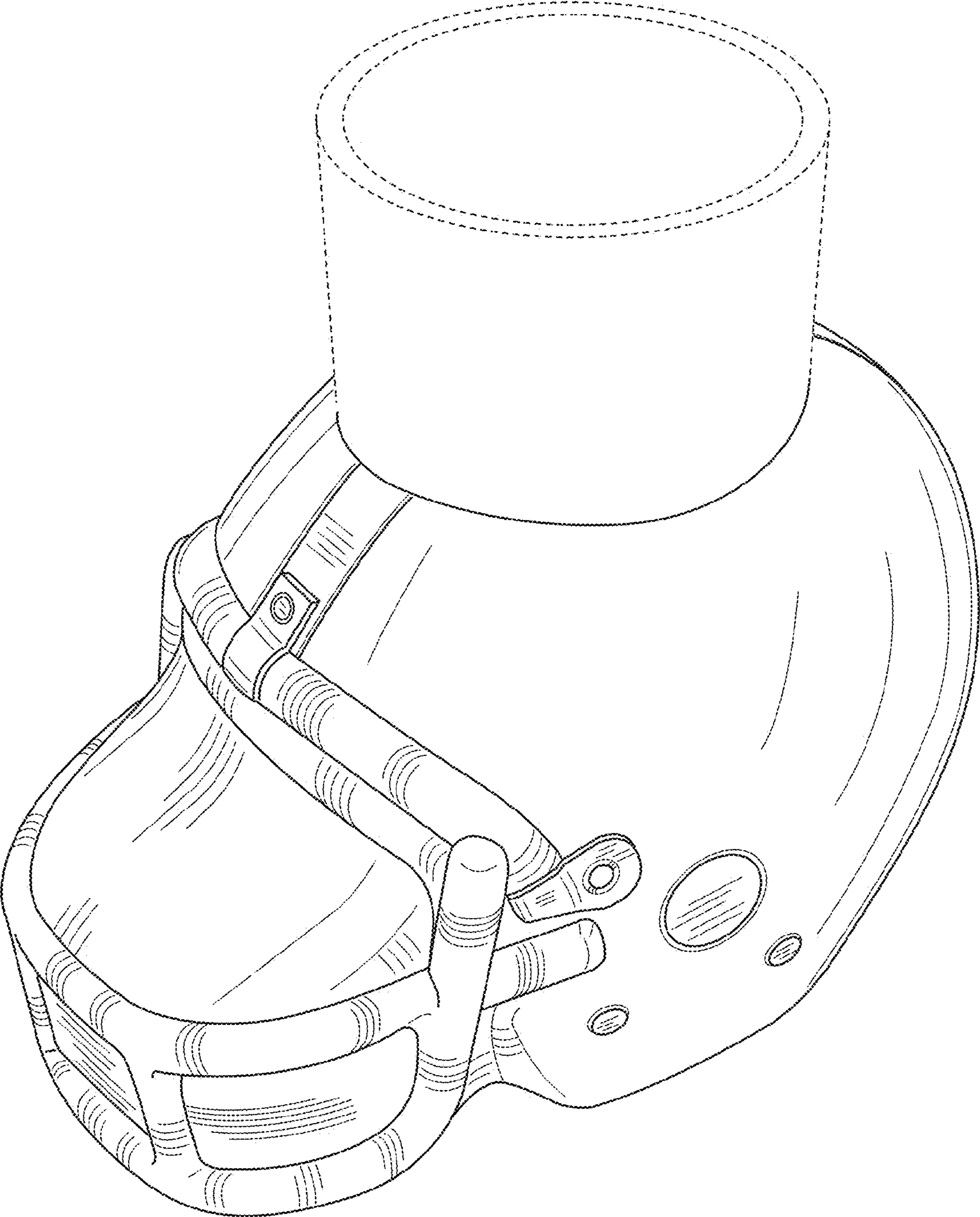


FIG. 1

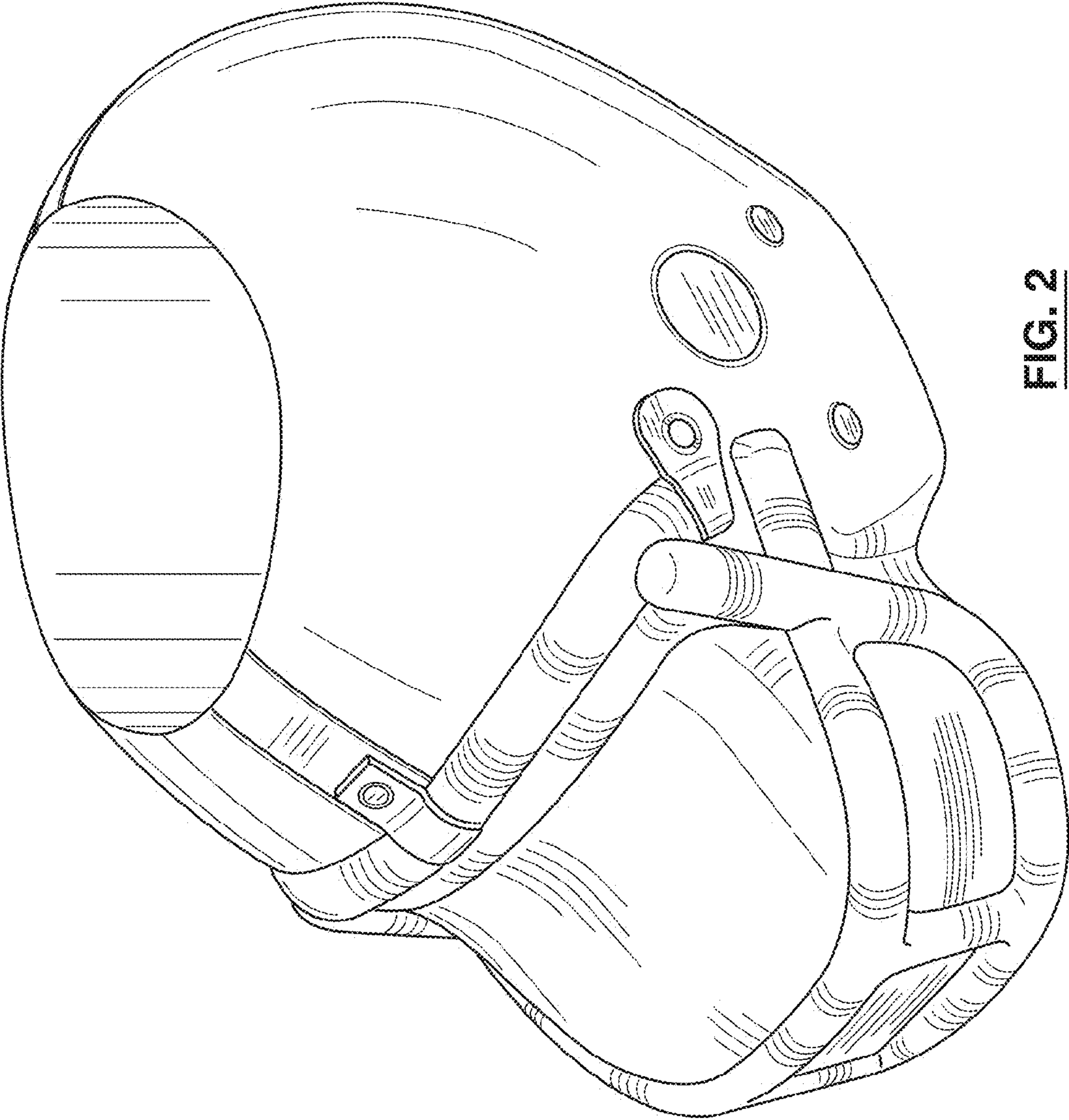


FIG. 2

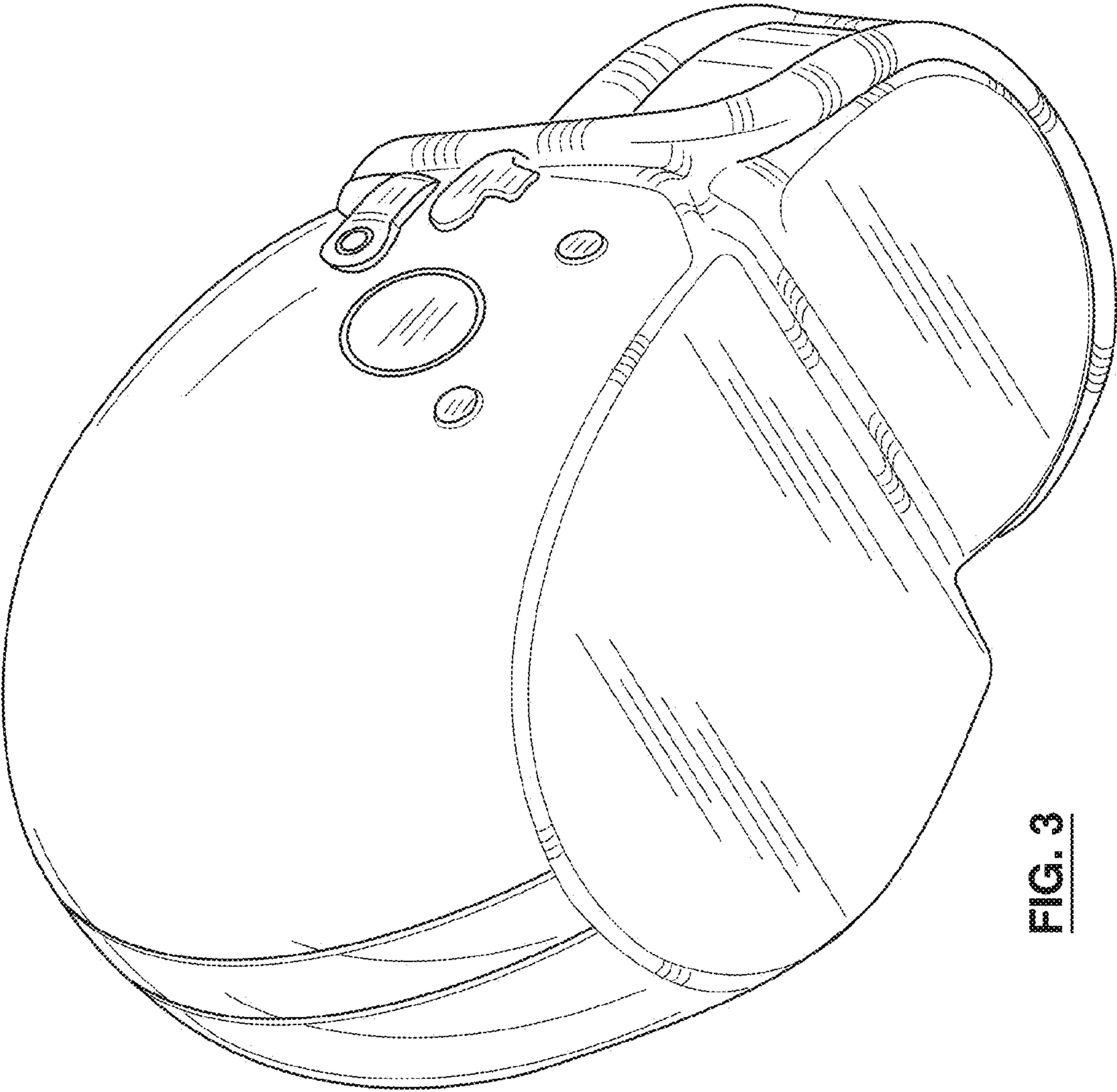


FIG. 3

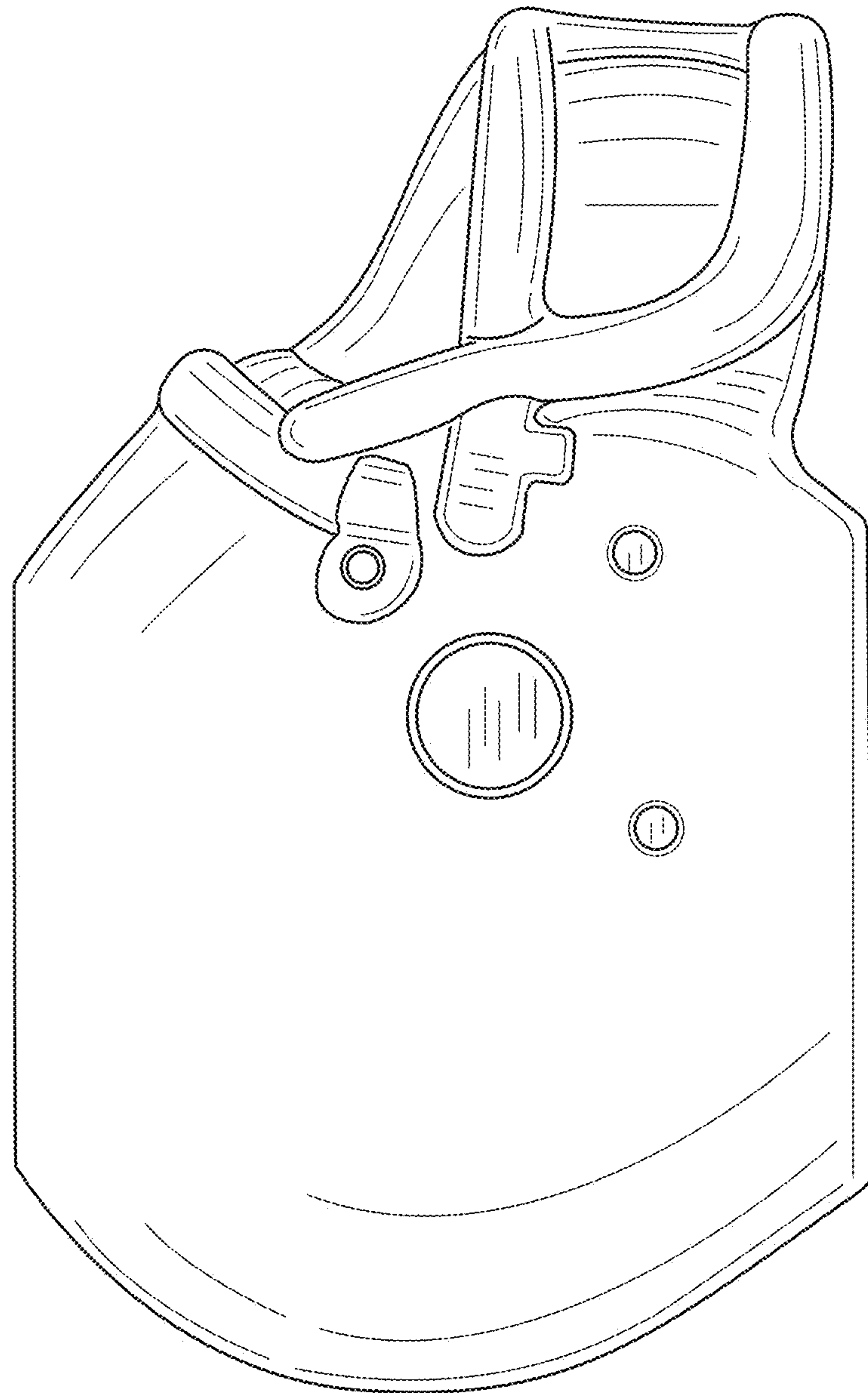


FIG. 4

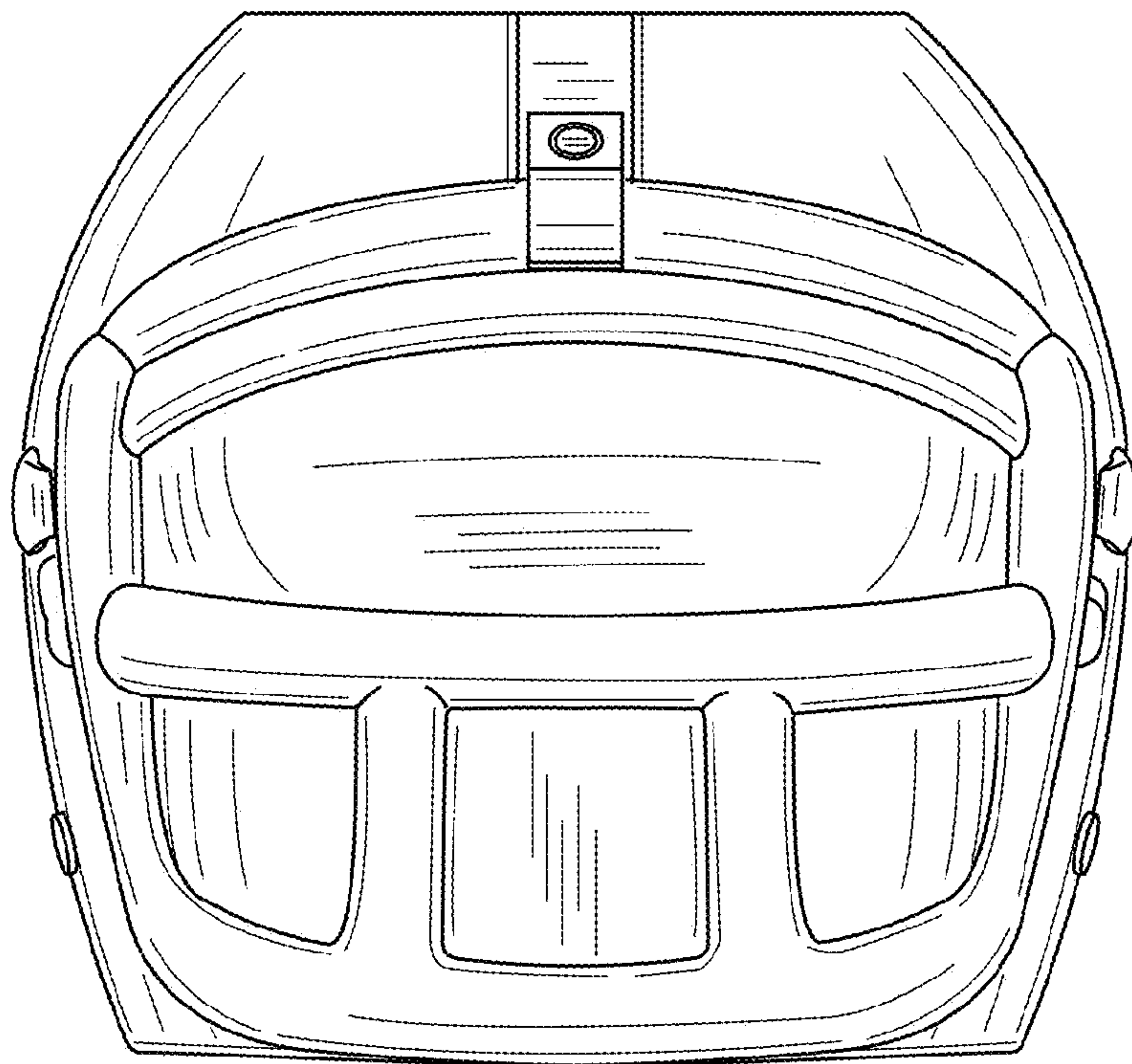


FIG. 5

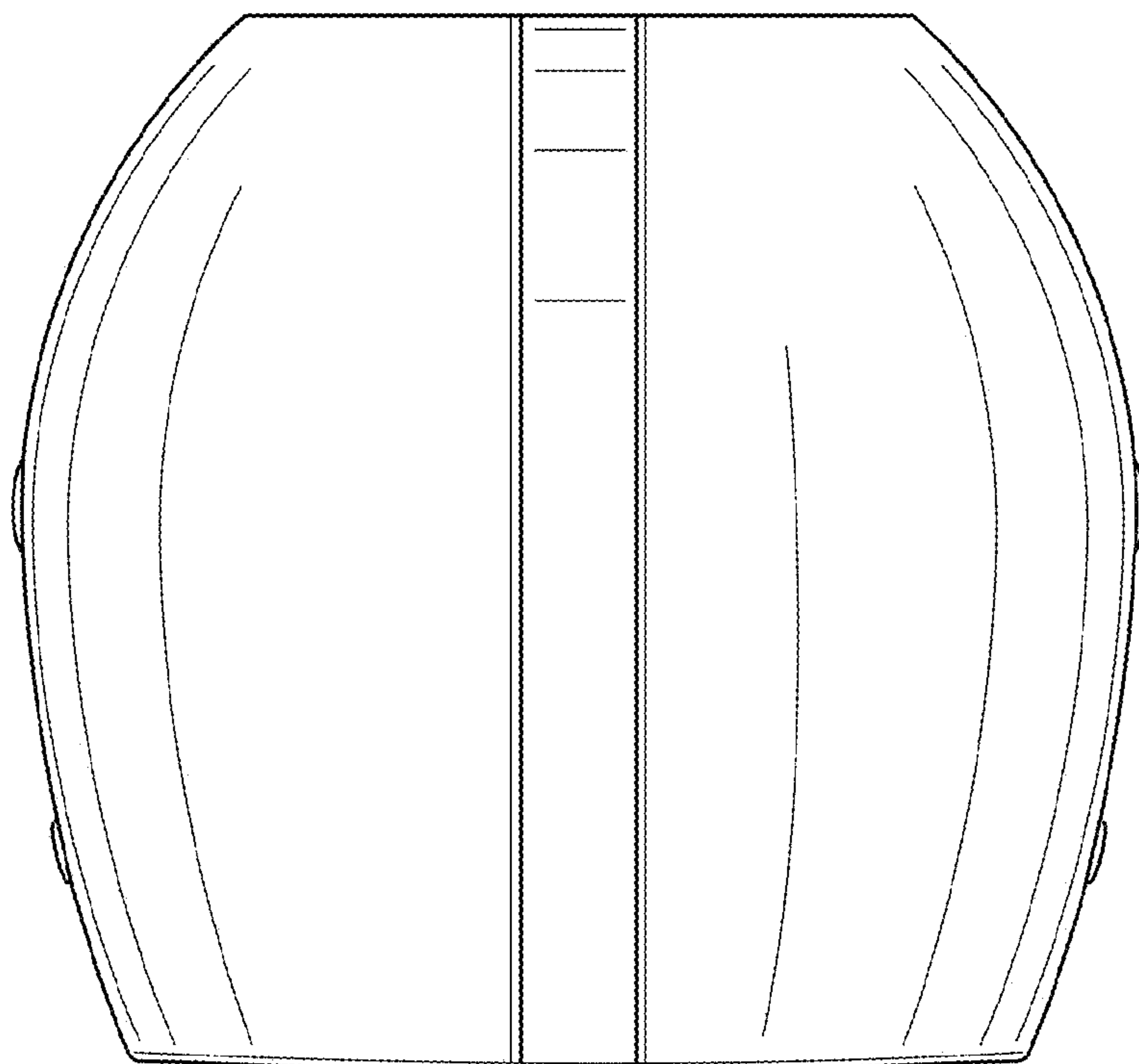


FIG. 7

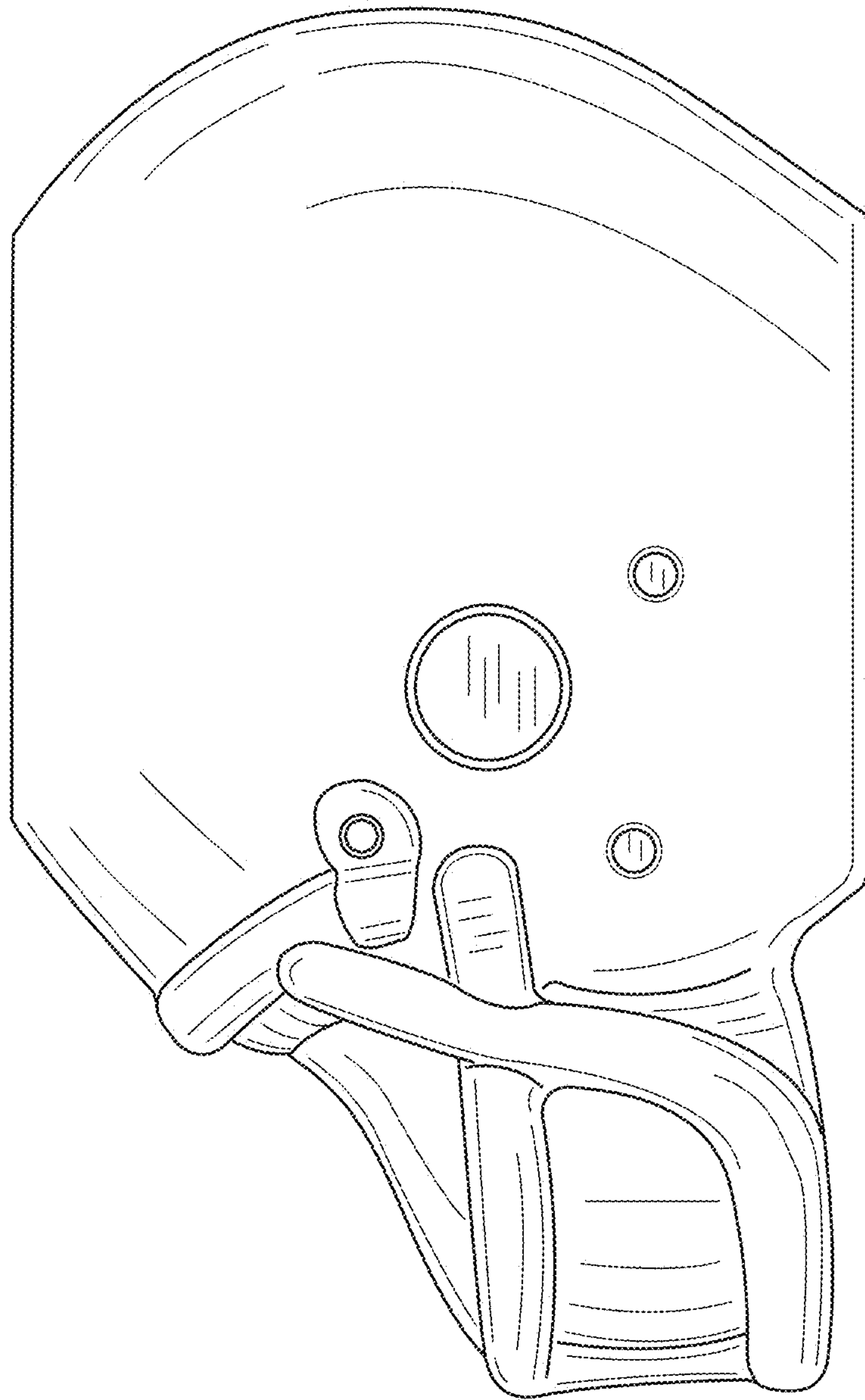


FIG. 6

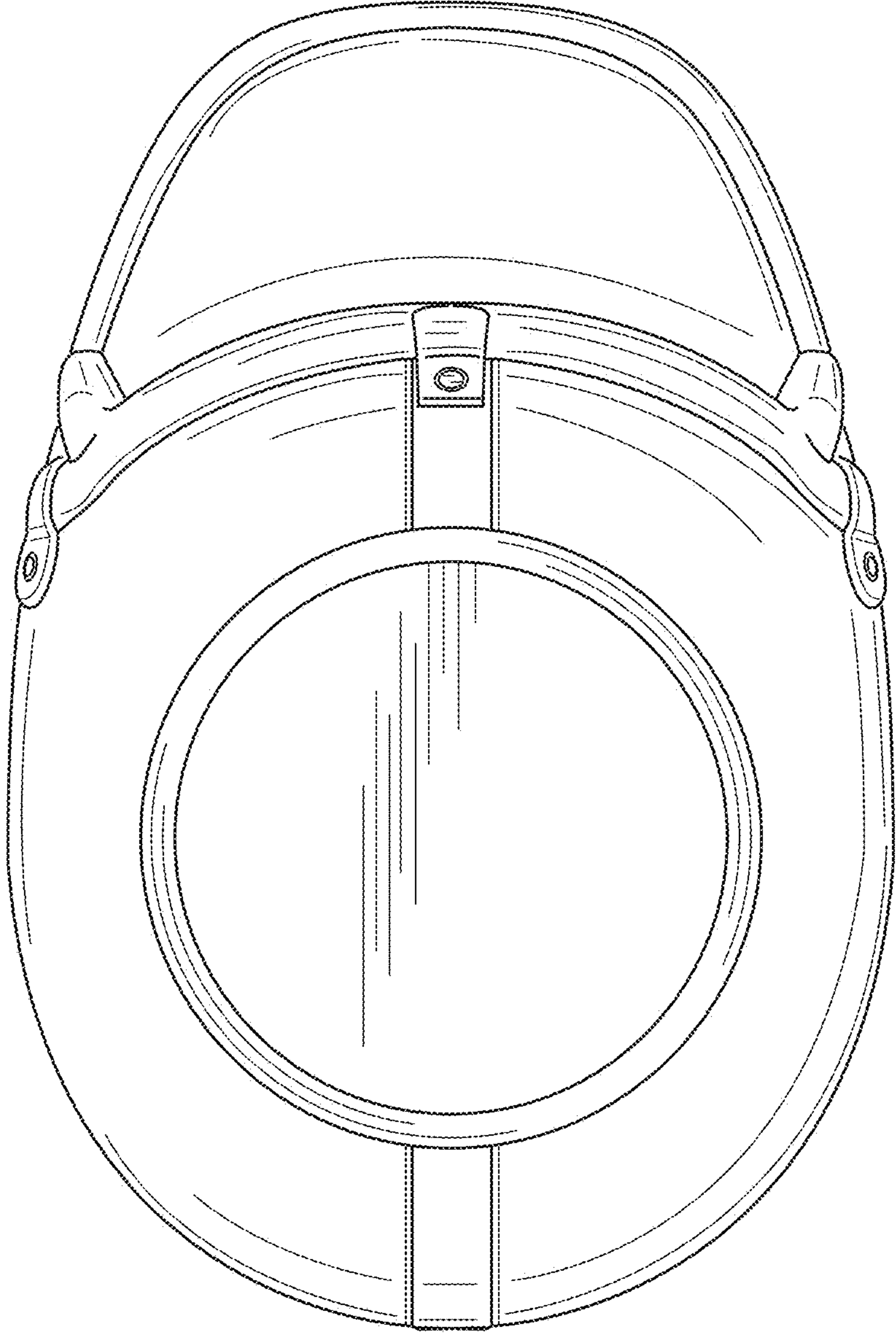


FIG. 8

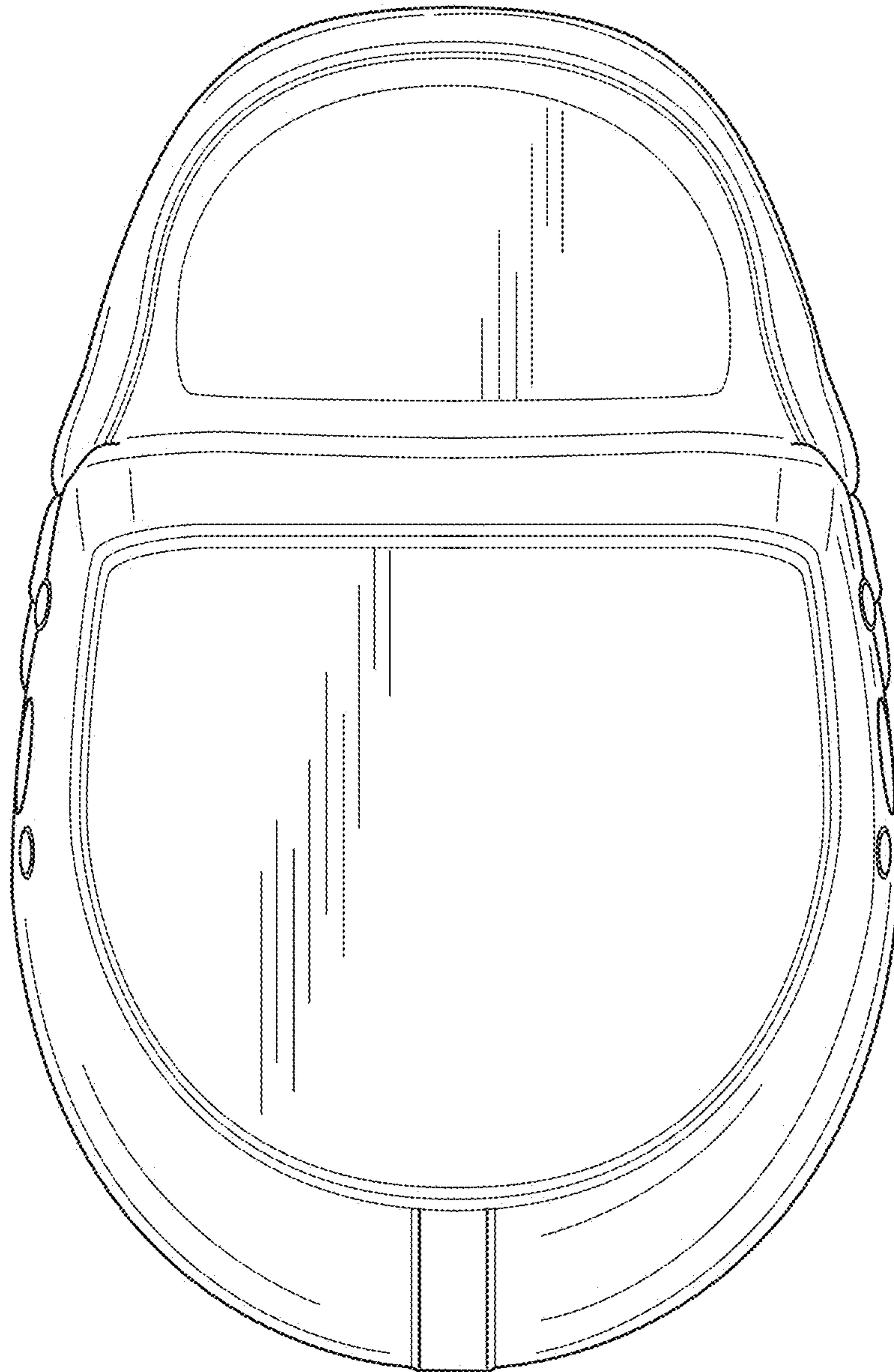


FIG. 9