



US00D686465S

(12) **United States Design Patent**  
**Goodman et al.**

(10) **Patent No.:** **US D686,465 S**  
(45) **Date of Patent:** **\*\* Jul. 23, 2013**

(54) **COMBINED DRINK POD HOLDER AND BASKET**

(75) Inventors: **Sheldon H. Goodman**, Solon, OH (US);  
**Phaysouk Xayoiphonh**, Akron, OH (US); **Grace Lee**, Mayfield, OH (US)

(73) Assignee: **Spectrum Diversified Designs, Inc.**,  
Streetsboro, OH (US)

(\*\*) Term: **14 Years**

(21) Appl. No.: **29/412,388**

(22) Filed: **Feb. 2, 2012**

(51) **LOC (9) Cl.** ..... **07-06**

(52) **U.S. Cl.**  
USPC ..... **D7/600.4**

(58) **Field of Classification Search**  
USPC ..... D7/600-600.4, 501, 503, 505, 518,  
D7/521, 582, 583, 584, 587, 588, 590, 601,  
D7/611, 615, 632, 647, 660, 701-708; D6/396,  
D6/449, 450, 454-469; 211/14, 41.4, 68,  
211/69.5, 70.1, 70.3, 70.6, 70.7, 71.01, 74,  
211/77, 78, 85.18, 85.26, 85.4, 85.5, 85.31,  
211/126.8, 126.9, 133.2, 133.5, 181.1, 119.12,  
211/128.1, 129.1, 133.1, 133.4, 133.6; 248/107,  
248/112, 175, 176.1, 346.01, 346.03, 346.11,  
248/583, 662, 676, 678; 47/904; D24/228  
See application file for complete search history.

(56) **References Cited**

**U.S. PATENT DOCUMENTS**

1,448,259	A	*	3/1923	Cook	.....	294/143
D152,826	S	*	2/1949	Raysik	.....	D7/704
D165,303	S	*	11/1951	Rogers et al.	.....	D7/706
D208,557	S	*	9/1967	Van Horn, Jr.	.....	D6/458
4,062,148	A	*	12/1977	Edmonds et al.	.....	47/76
D526,170	S	*	8/2006	Gugni	.....	D7/706
D620,711	S	*	8/2010	Hertaus	.....	D3/306
D634,933	S	*	3/2011	Hertaus	.....	D3/306

D634,978 S \* 3/2011 Tiemann ..... D7/600.4  
D643,684 S \* 8/2011 Tiemann ..... D7/600.2

(Continued)

**OTHER PUBLICATIONS**

Lipper International 8661 Coffee Pod Select and Storage Basket,  
www.amazon.com/Lipper-International-8661-Coffee-Storage/dp/  
B004M/486WE.

Lipper International Metal Coffee Pod Organizer 8631, www.google.  
com/products/catalog?hl\_en&q-lipper+international+2-  
tier+revolving+coffee+pod+organizer.

(Continued)

*Primary Examiner* — Ian Simmons

*Assistant Examiner* — Shannon Weekley

(74) *Attorney, Agent, or Firm* — Pearne & Gordon LLP

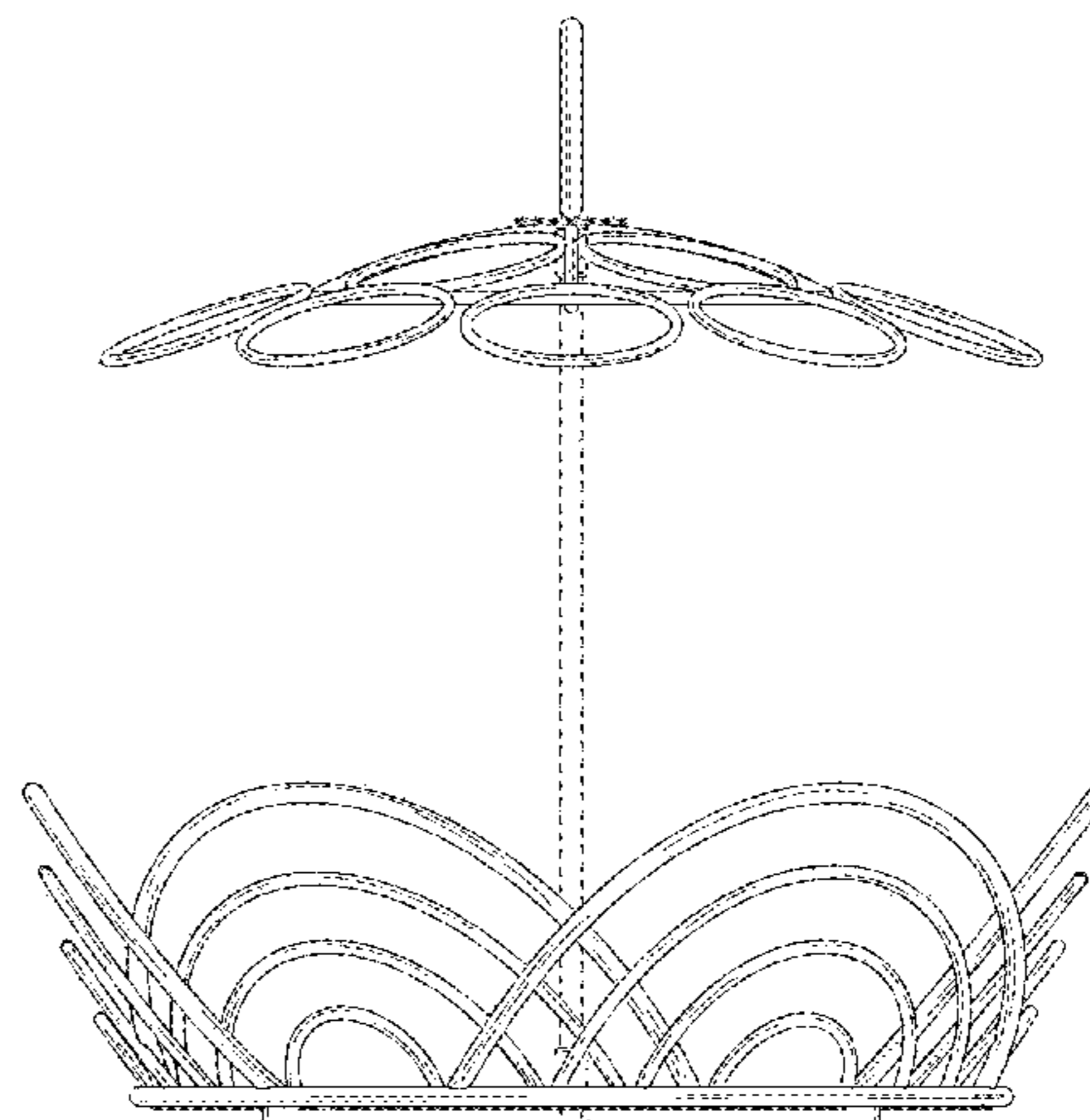
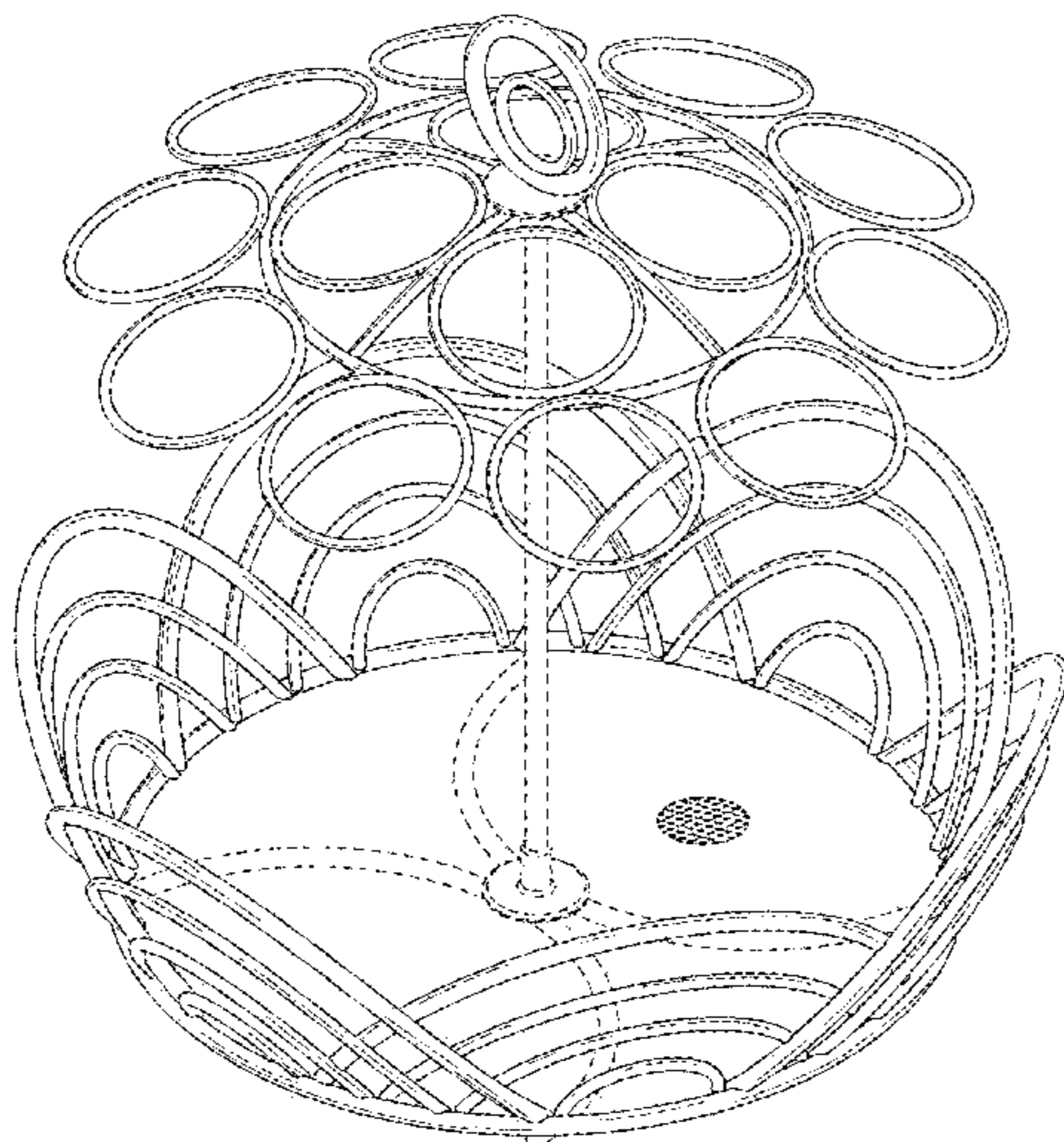
(57) **CLAIM**

The ornamental design for a combined drink pod holder and basket, as shown and described.

**DESCRIPTION**

FIG. 1 is a front top perspective view of a combined drink pod holder and basket showing our new design; FIG. 2 is an enlarged view of the grid member shown in FIG. 1 which is mounted within the circular base area enclosed by the basket outline to form the bottom of the basket of the combined drink pod holder and basket; FIG. 3 is a front elevational view thereof; FIG. 4 is a rear elevational view thereof; FIG. 5 is a right side elevational view thereof; FIG. 6 is a left side elevational view thereof; FIG. 7 is a top plan view showing the grid member removed for ease of illustration thereof; and, FIG. 8 is a bottom plan view showing the grid member removed for ease of illustration thereof. The broken lines showing portions of a basket and grid member of the combined drink pod holder and basket is for the purpose of illustrating environment, and forms no part the claimed design.

**1 Claim, 8 Drawing Sheets**



# US D686,465 S

Page 2

---

## U.S. PATENT DOCUMENTS

D646,933 S \* 10/2011 Goodman et al. .... D7/601  
D651,857 S \* 1/2012 Goodman et al. .... D7/600  
D661,162 S \* 6/2012 Hertaus ..... D7/600.4  
D670,970 S \* 11/2012 Goodman et al. .... D7/601  
D670,971 S \* 11/2012 Goodman et al. .... D7/601  
D670,972 S \* 11/2012 Goodman et al. .... D7/601  
2003/0052071 A1 \* 3/2003 Tremblay ..... 211/74  
2008/0264883 A1 \* 10/2008 Stafford et al. .... 211/107

## OTHER PUBLICATIONS

Nescafe Dolce Gusto Capsule Carousel, [www.cybercucina.com/ccdocs/products/CAPCSL.html?source+GoogleDataFeed&ccag=DolceGusto](http://www.cybercucina.com/ccdocs/products/CAPCSL.html?source+GoogleDataFeed&ccag=DolceGusto).

Keurig 5771 35 K-Cup Carousel, [www.google.com/products/catalog?hl=en&q=kuerig+5771+35+k-cup+carousel&gs\\_sm=e&gs\\_upl=60471](http://www.google.com/products/catalog?hl=en&q=kuerig+5771+35+k-cup+carousel&gs_sm=e&gs_upl=60471).

\* cited by examiner

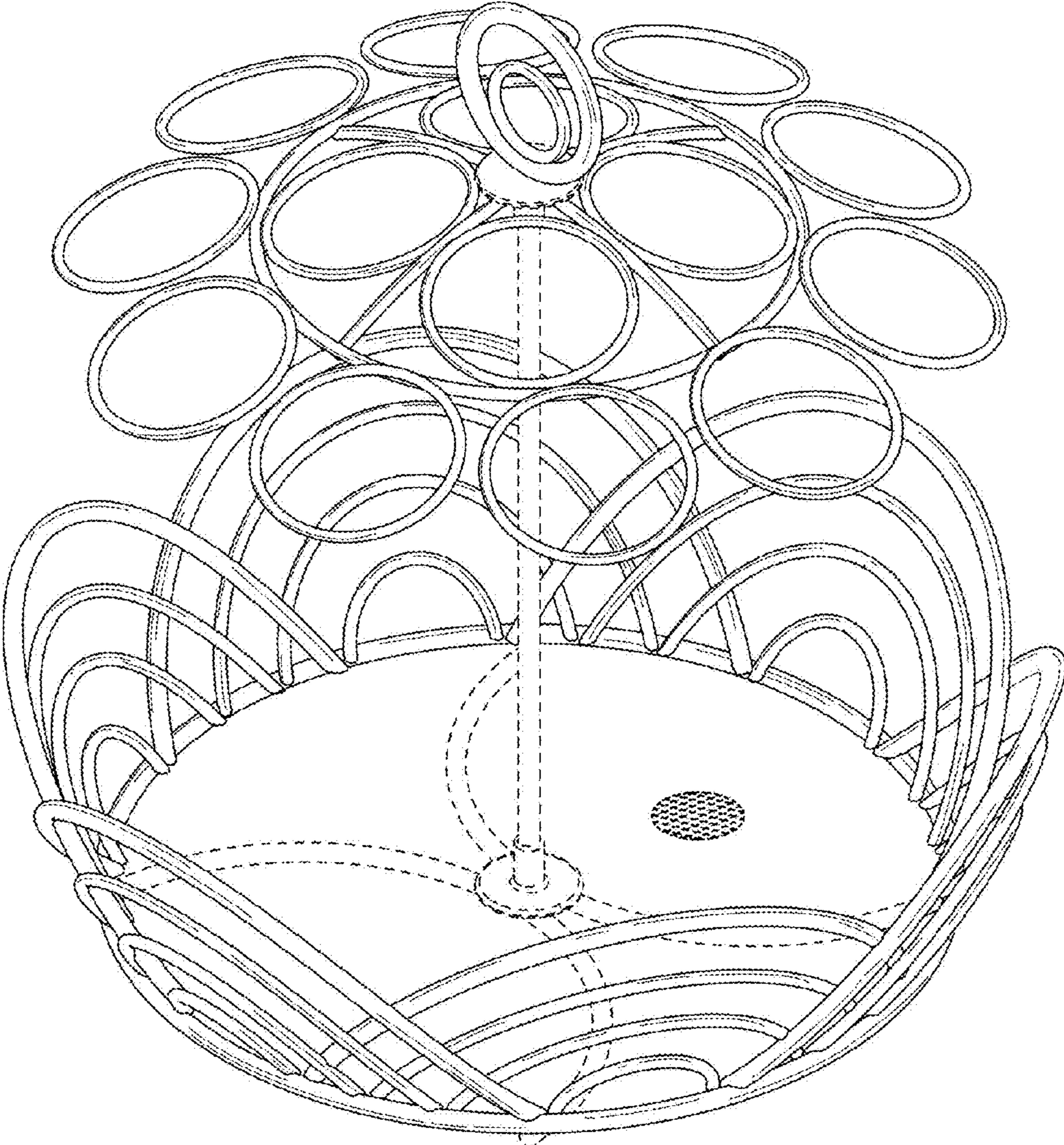


FIGURE 1

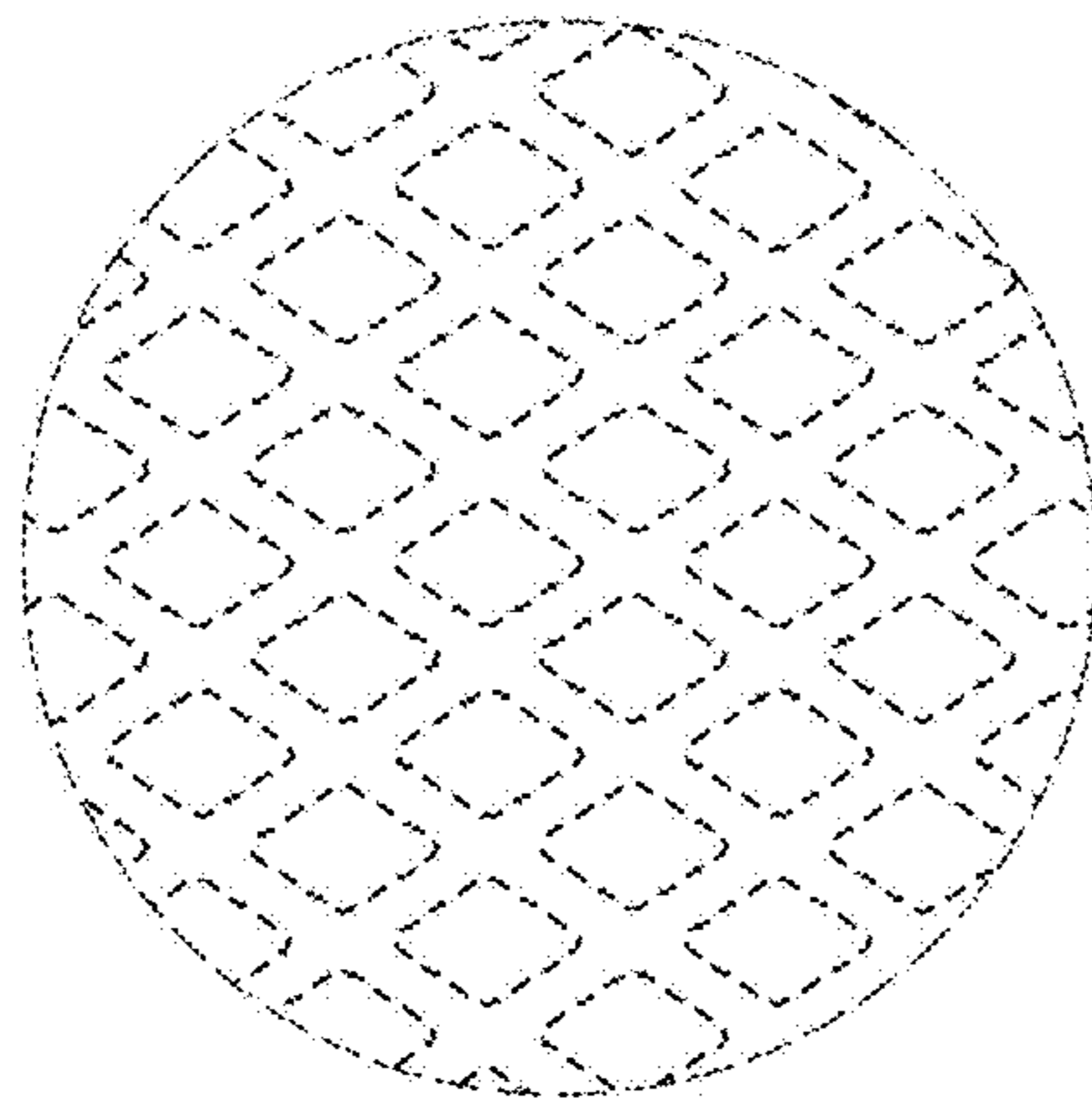


FIGURE 2

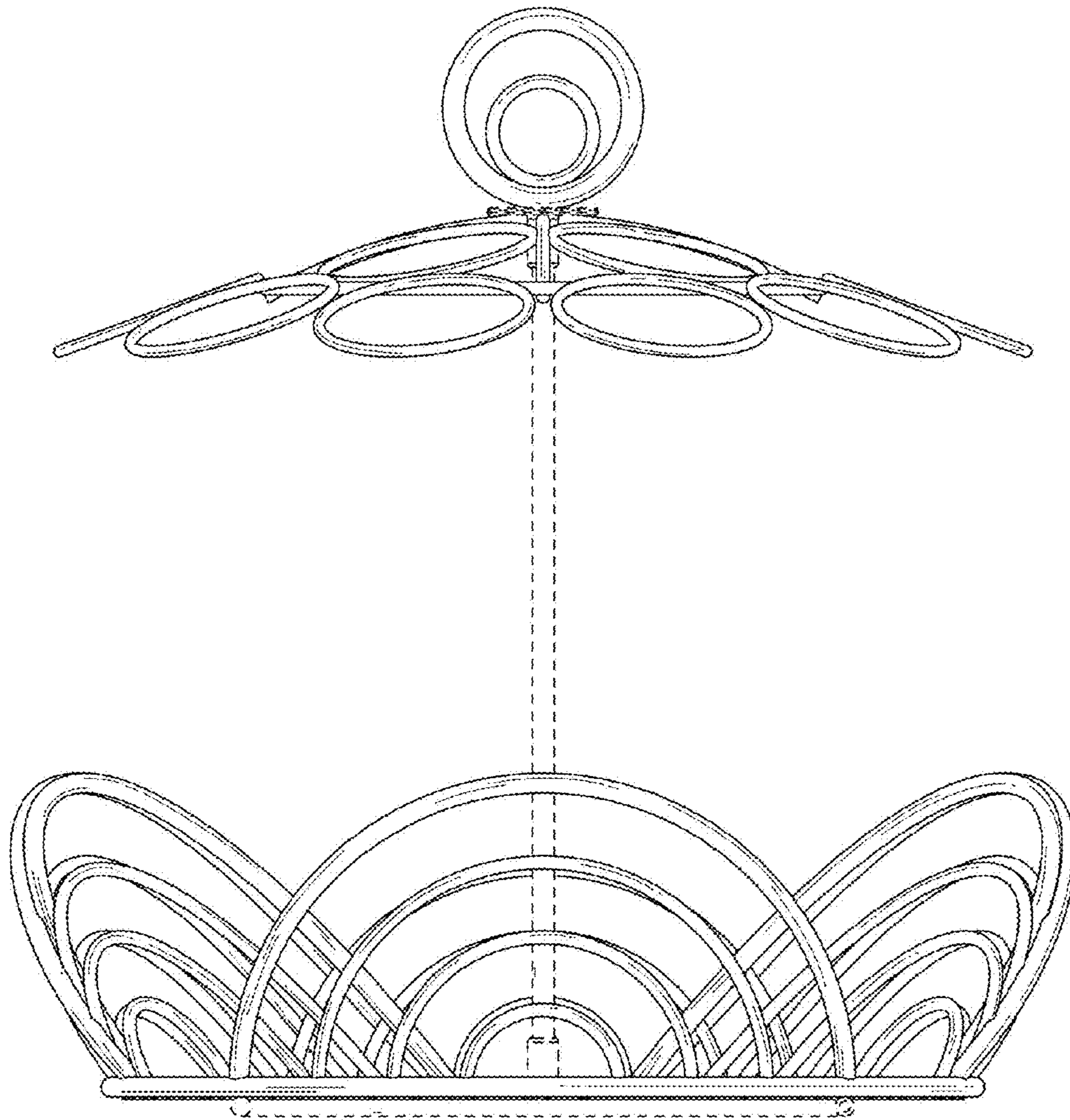


FIGURE 3

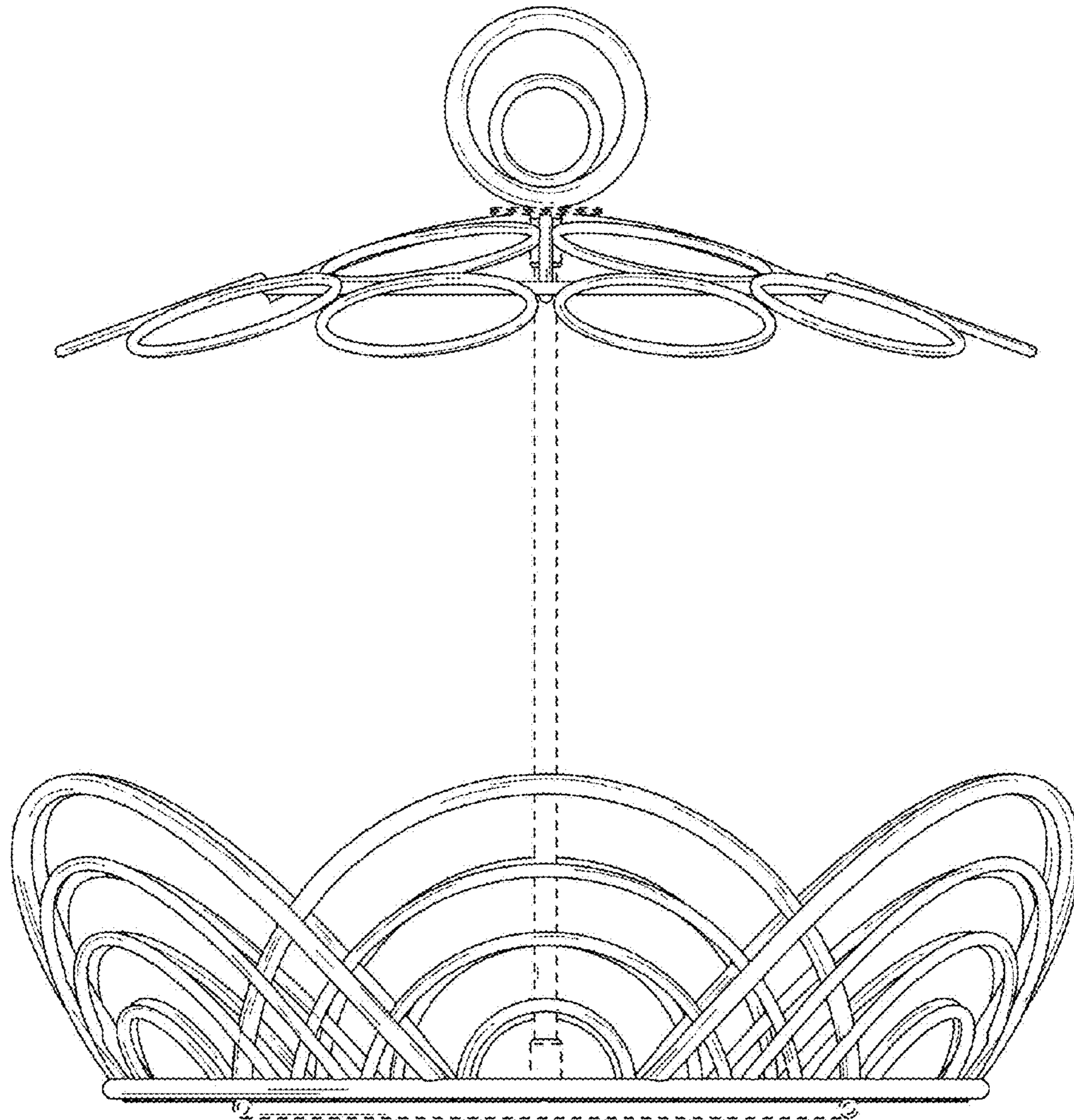


FIGURE 4

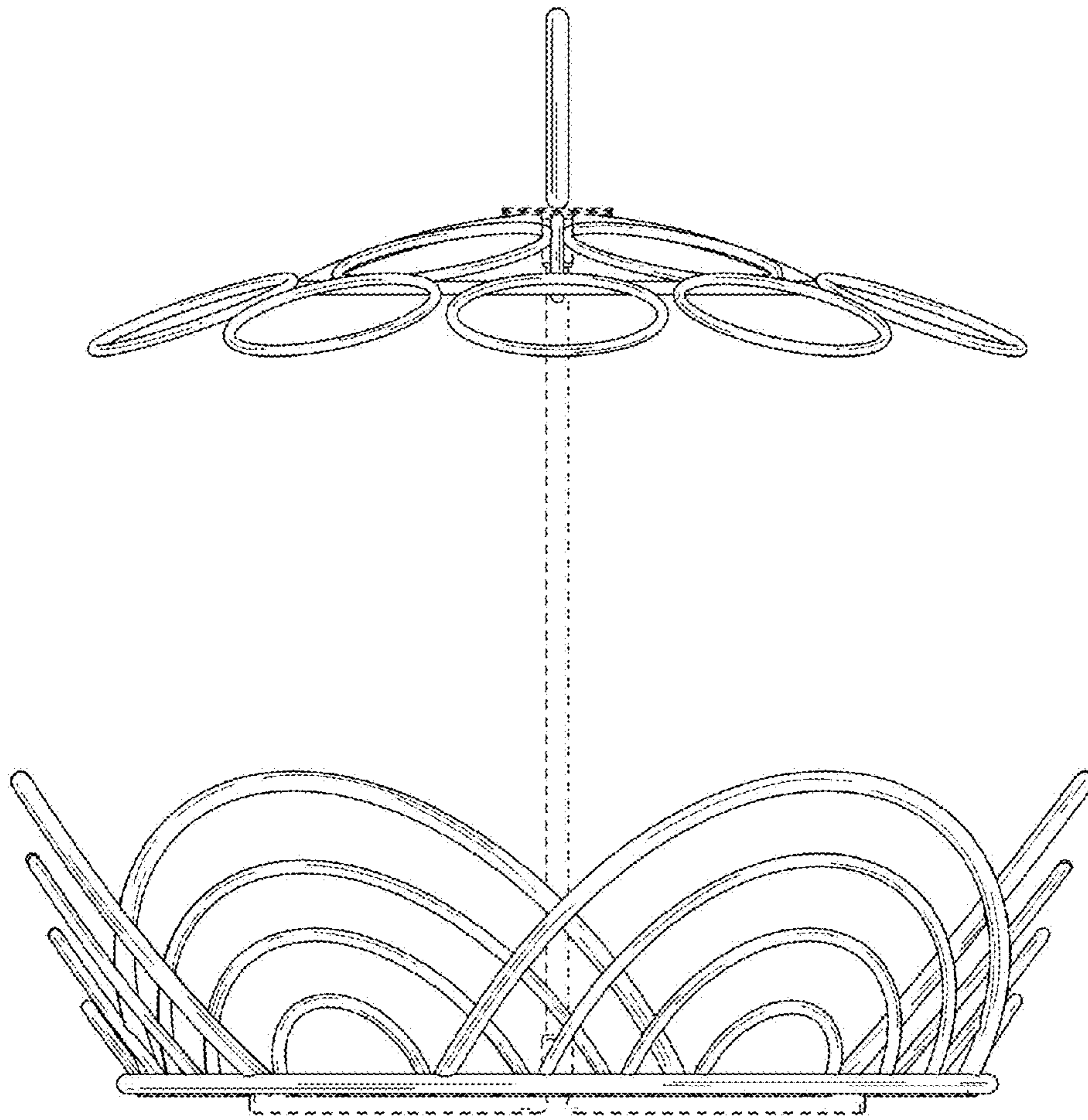


FIGURE 5

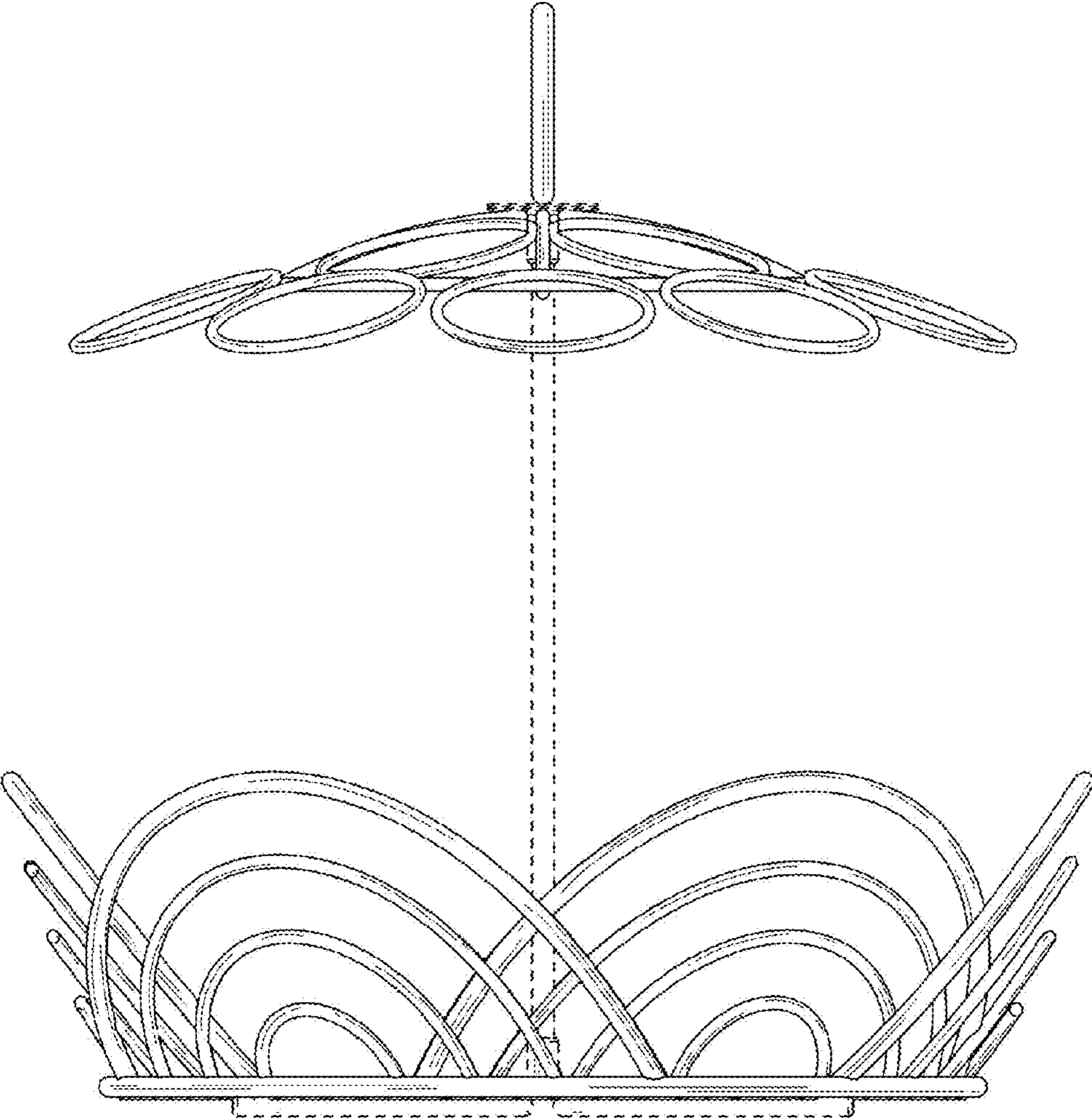


FIGURE 6



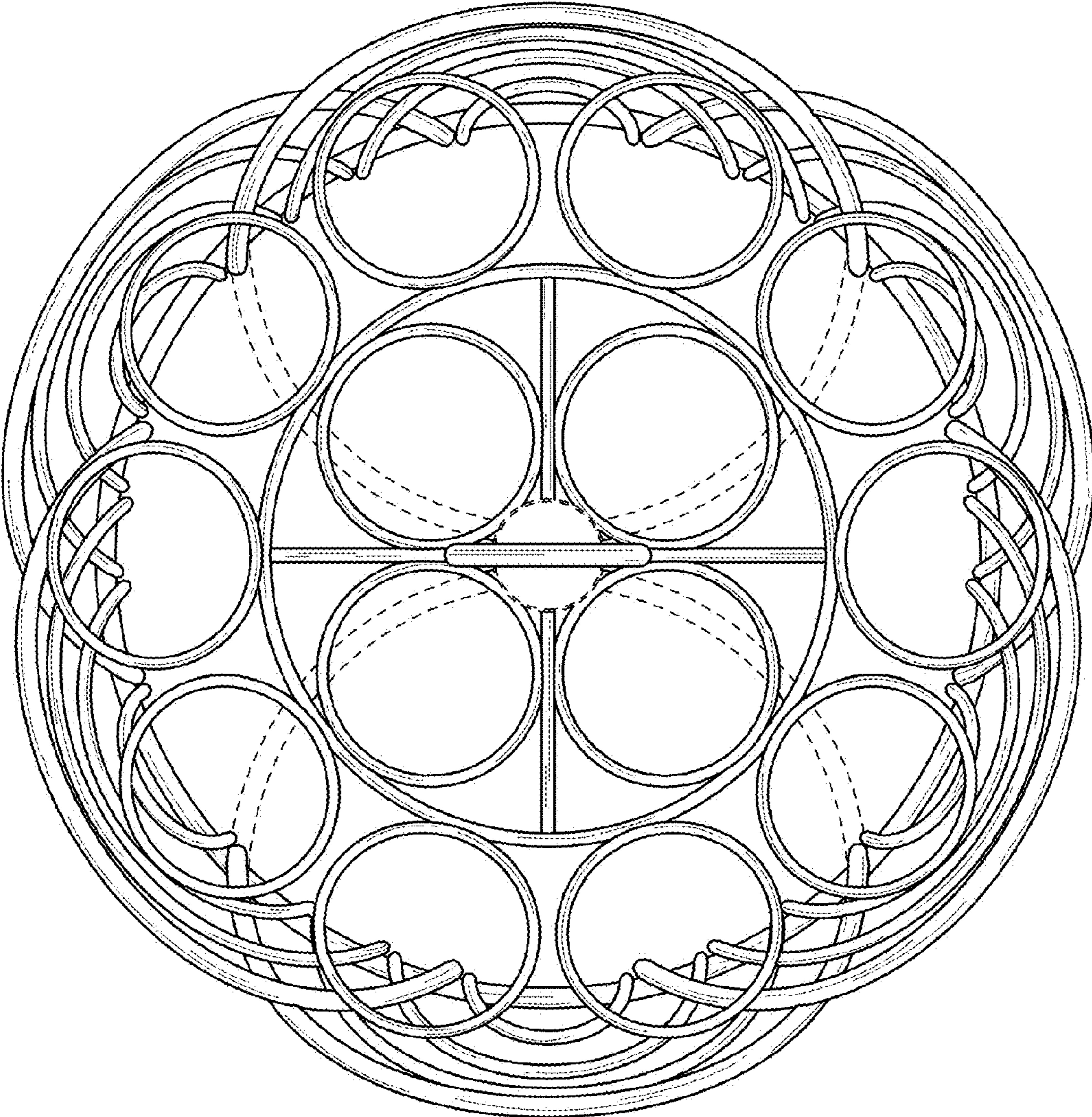


FIGURE 7

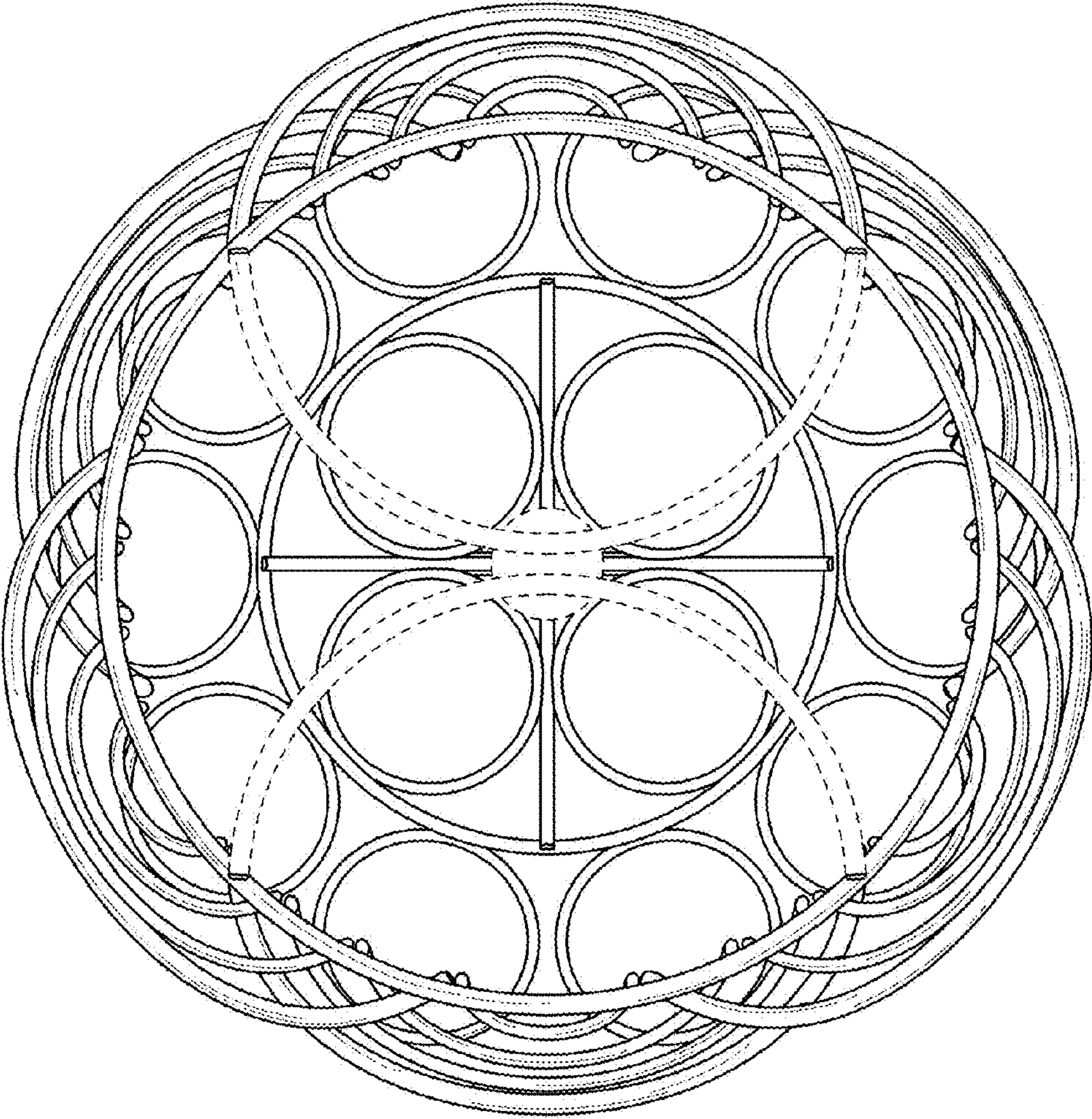


FIGURE 8