



US00D686463S

(12) **United States Design Patent**
Rones

(10) **Patent No.:** **US D686,463 S**
(45) **Date of Patent:** **** Jul. 23, 2013**

(54) **COFFEE POD STORAGE UNIT**

(76) Inventor: **Sean Drew Rones**, San Diego, CA (US)

(**) Term: **14 Years**

(21) Appl. No.: **29/411,877**

(22) Filed: **Jan. 27, 2012**

(51) **LOC (9) Cl.** **07-06**

(52) **U.S. Cl.**
USPC **D7/600.1**

(58) **Field of Classification Search**
USPC D7/600, 600.1, 600.2, 600.3, 600.4,
D7/392, 397, 589, 590, 596, 597, 601, 602,
D7/609, 610, 612, 614, 615, 620-623, 628-632,
D7/637-641, 701-708, 708.1, 709, 710;
D3/201, 203.1-203.4, 203.8, 275, 276, 283,
D3/291, 295-298, 302, 304, 306, 307, 313,
D3/315, 319; D6/436, 449, 458, 462, 509,
D6/510, 512, 514, 521, 525, 573, 574; D19/75,
D19/77, 78, 83, 86, 92; 211/77, 78, 126.11,
211/126.15, 129.1, 131.1, 133.1, 133.2, 133.4,
211/133.5, 133.6; 312/323, 330.1, 334.1,
312/334.27, 408; 220/4.01, 4.07, 4.22, 4.23,
220/523, 524, 525, 526, 544, 811, 812; 206/6.1;
D28/73, 78

See application file for complete search history.

(56) **References Cited**

U.S. PATENT DOCUMENTS

1,391,028 A * 9/1921 Werntz 206/1.8
2,107,239 A * 2/1938 Eckhoff 206/1.8

D212,678 S * 11/1968 Swett D7/629
D286,137 S * 10/1986 Huck et al. D3/203.3
4,869,394 A * 9/1989 Hurst 221/7
4,915,256 A * 4/1990 Tump 221/5
5,025,354 A * 6/1991 Kondo 362/135
D424,245 S * 5/2000 Stoecker D28/78
D497,103 S * 10/2004 Malloy et al. D3/203.2
2005/0194391 A1 * 9/2005 Domke et al. 220/835
2007/0045150 A1 * 3/2007 Huffer et al. 206/538

* cited by examiner

Primary Examiner — Ian Simmons

Assistant Examiner — Shannon Weekley

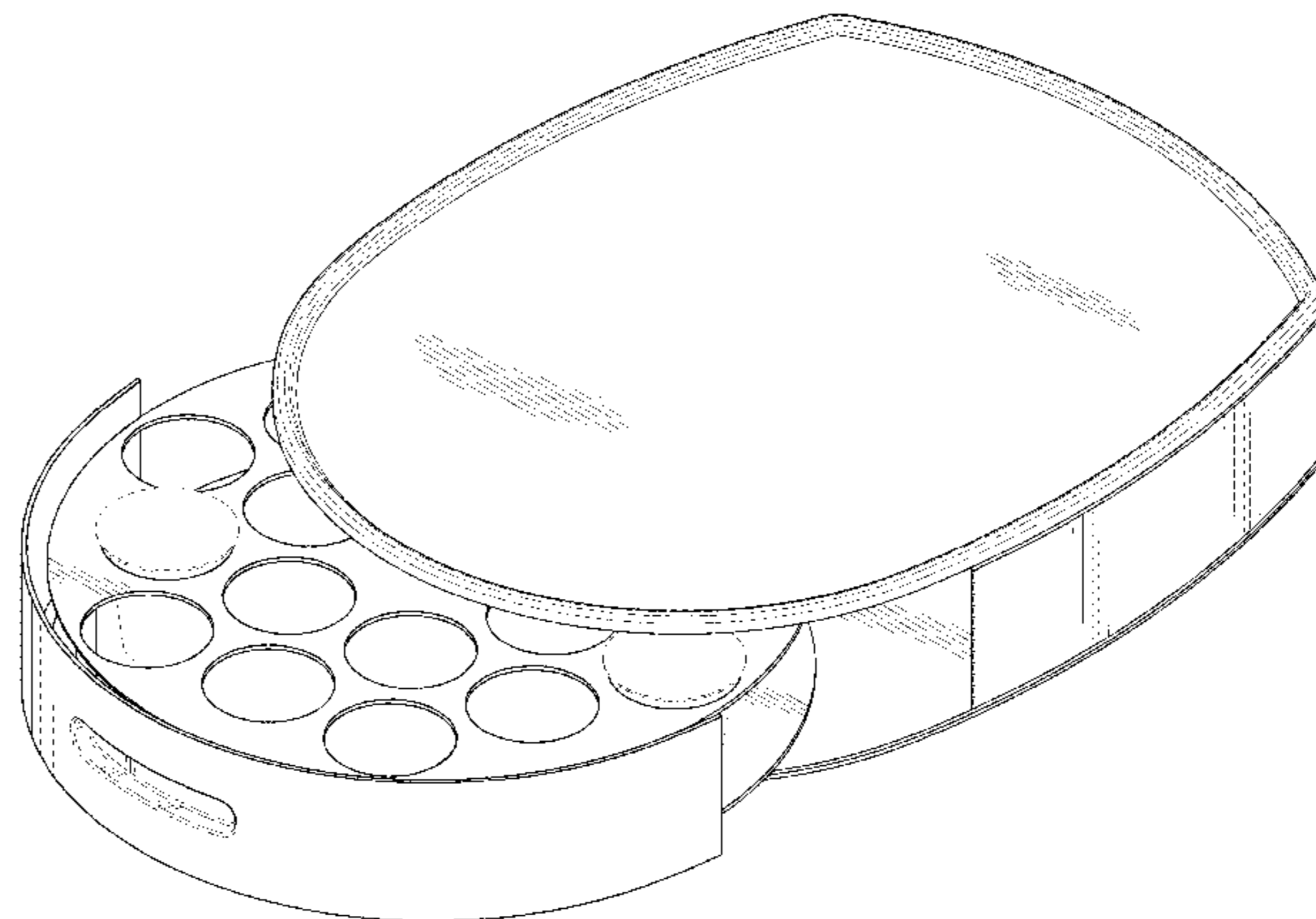
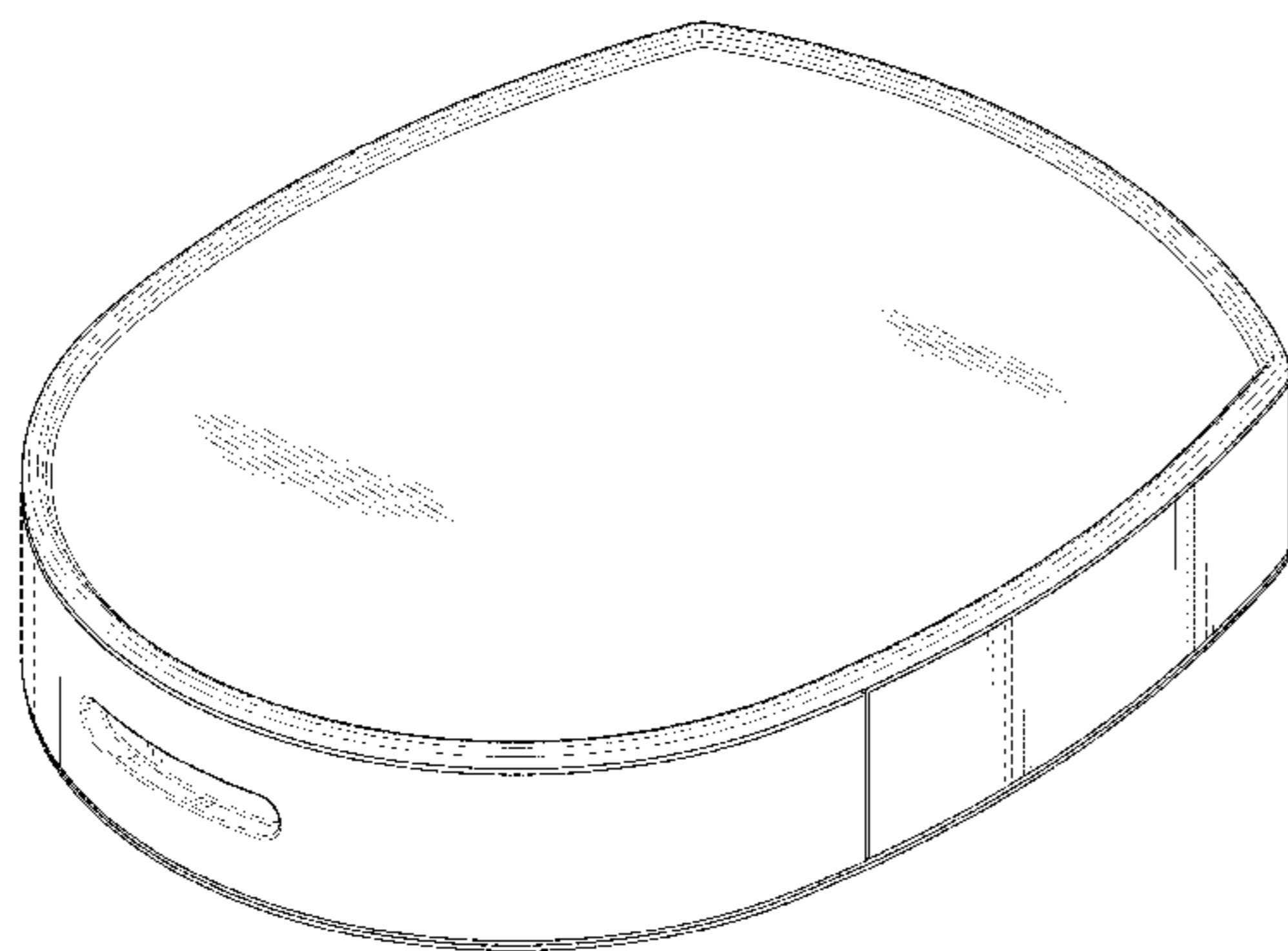
(57) **CLAIM**

The ornamental design for a coffee pod storage unit, as shown and described.

DESCRIPTION

FIG. 1 is a front perspective of a coffee pod storage unit showing my new design;
FIG. 2 is a Front view thereof;
FIG. 3 is a Back view thereof;
FIG. 4 is a Left Side view thereof;
FIG. 5 is a Right Side view thereof;
FIG. 6 is a Bottom view thereof.
FIG. 7 is a Top view thereof.
FIG. 8 is a front view shown in the open position thereof; and,
FIG. 9 is a front view showing environment thereof.
The broken lines shown in FIGS. 8 and 9 of the coffee pod storage unit, which are immediately adjacent to claimed surfaces, are directed to the environment and are for illustrative purposes only; the broken lines form no part of the claimed design.

1 Claim, 7 Drawing Sheets



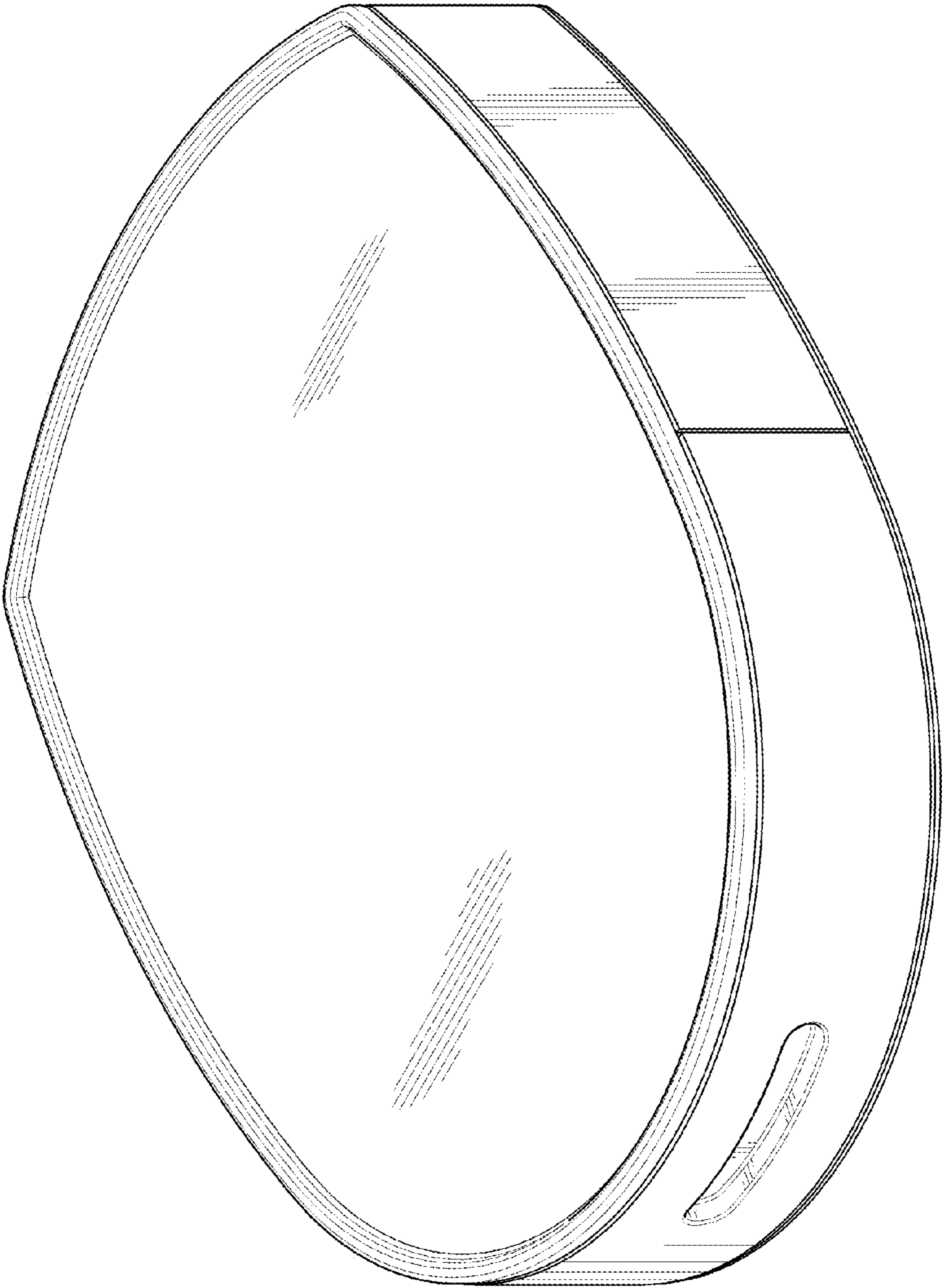


FIG. 1

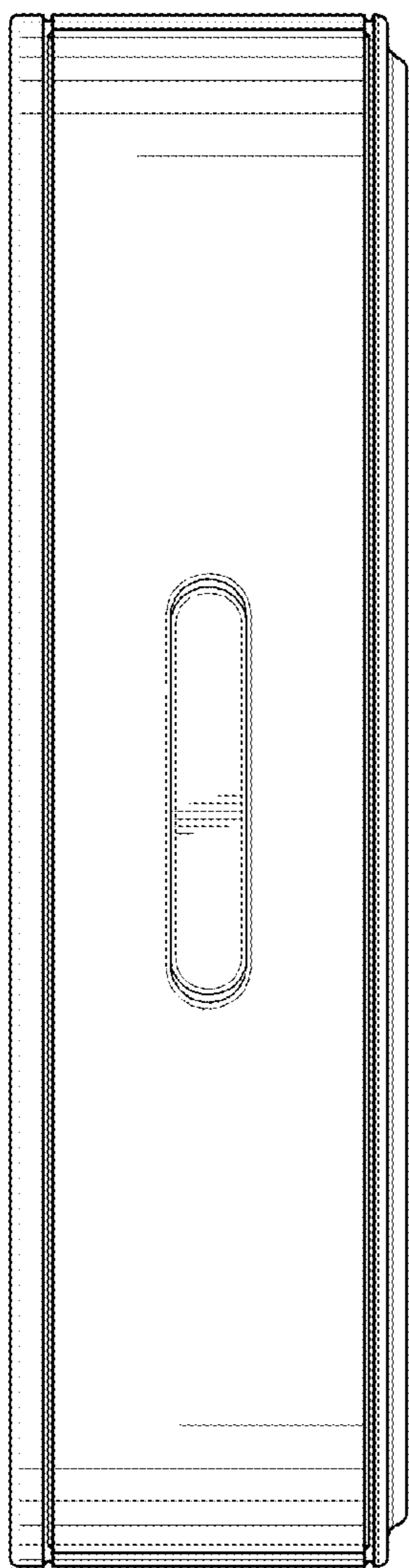


FIG. 2

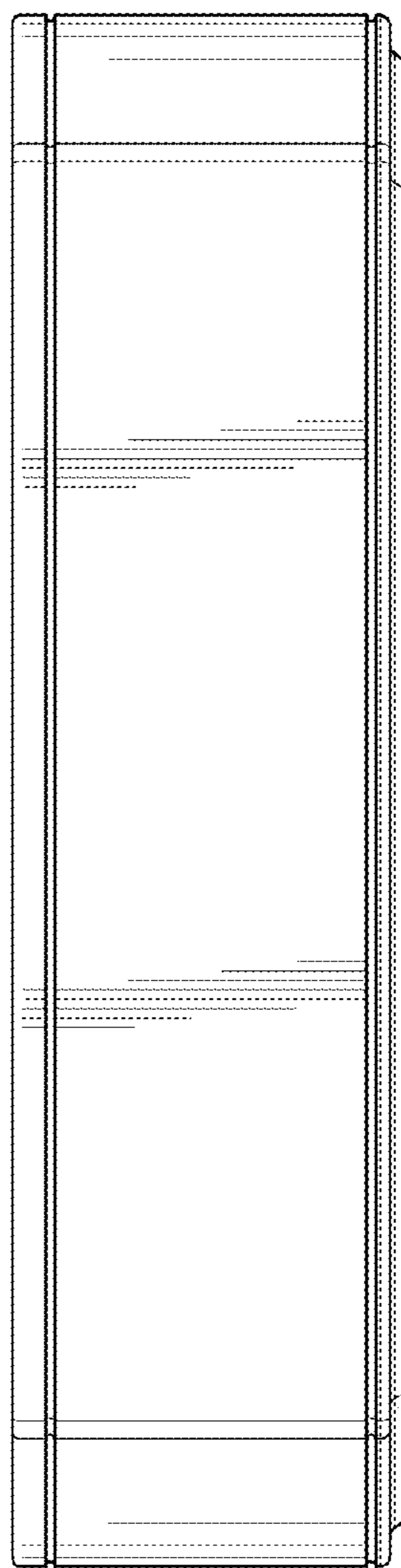


FIG. 3

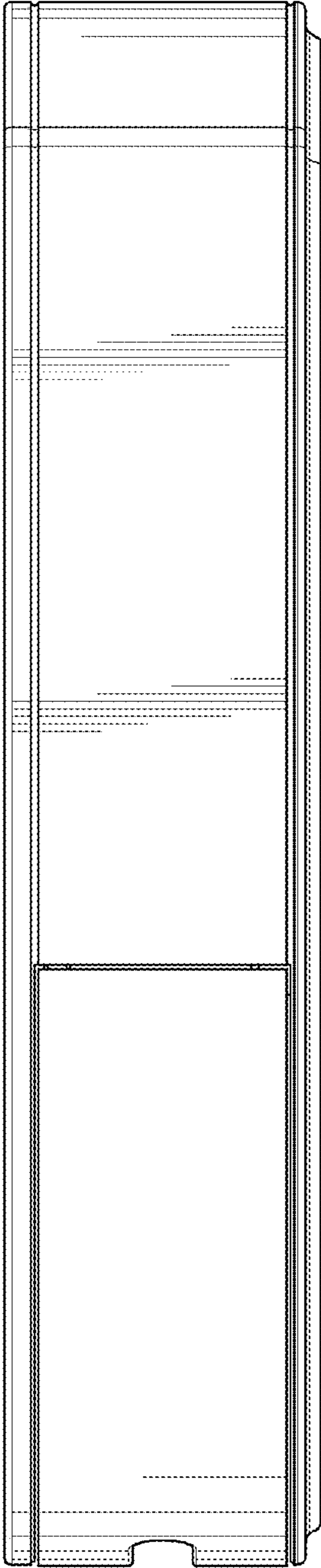


FIG. 4

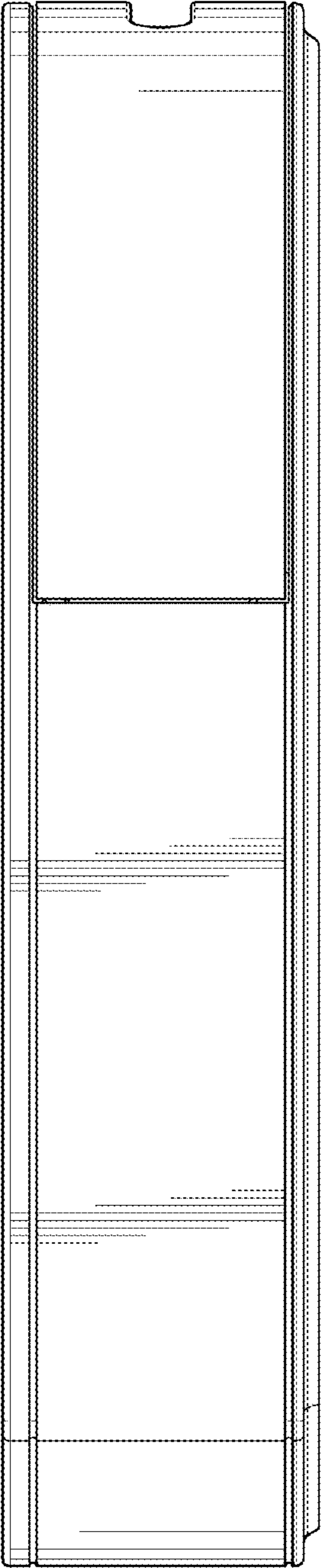


FIG. 5

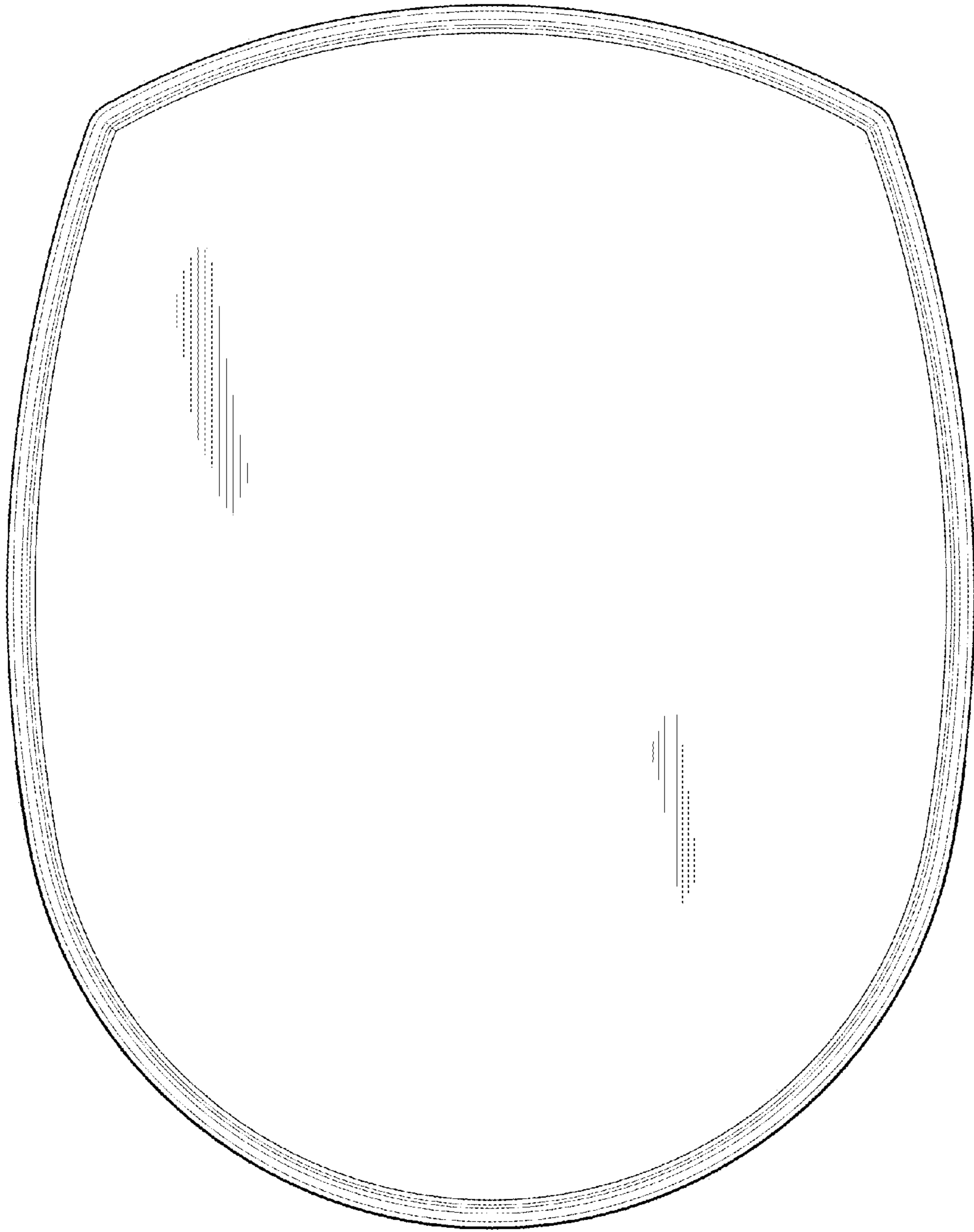


FIG. 6

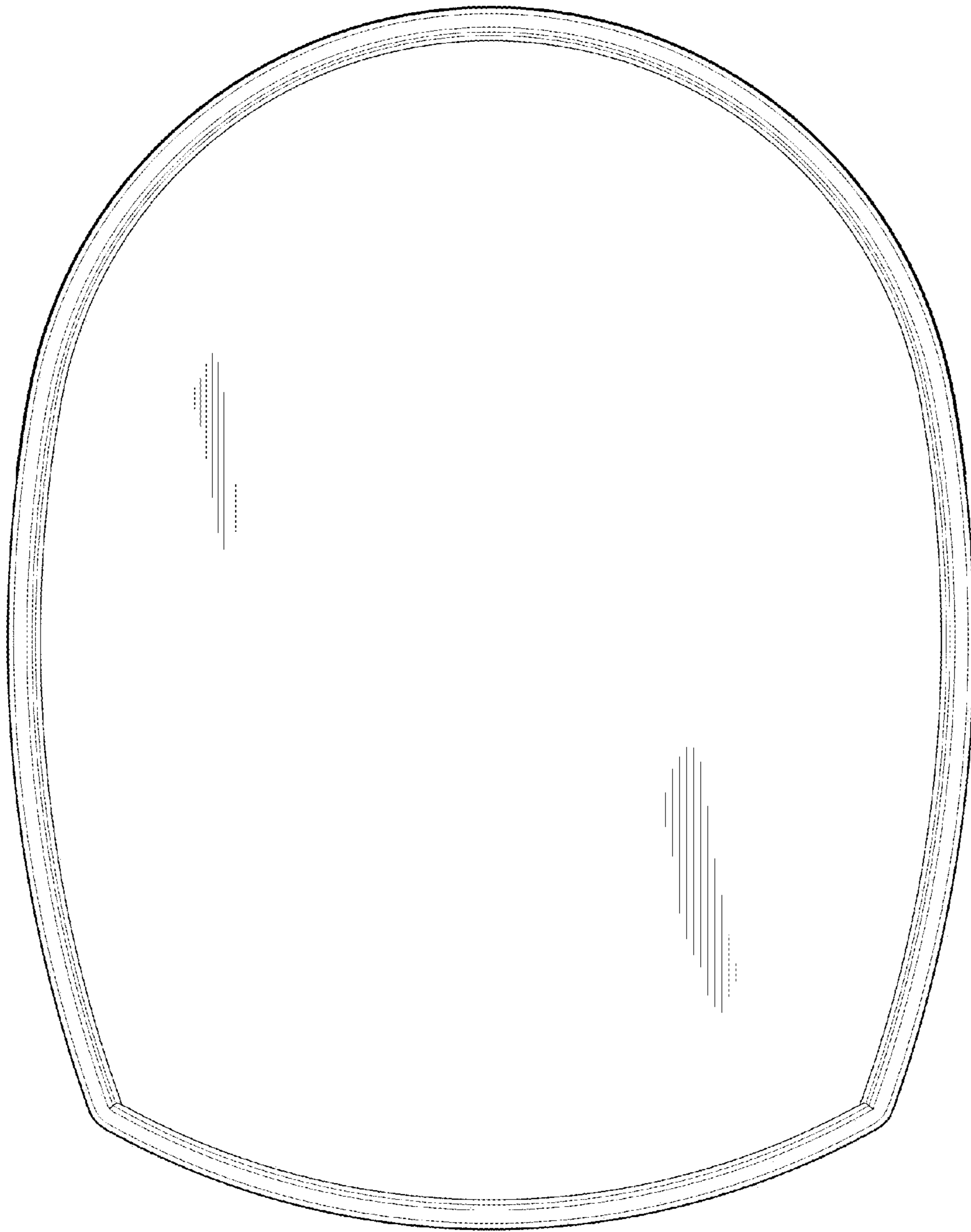


FIG. 7

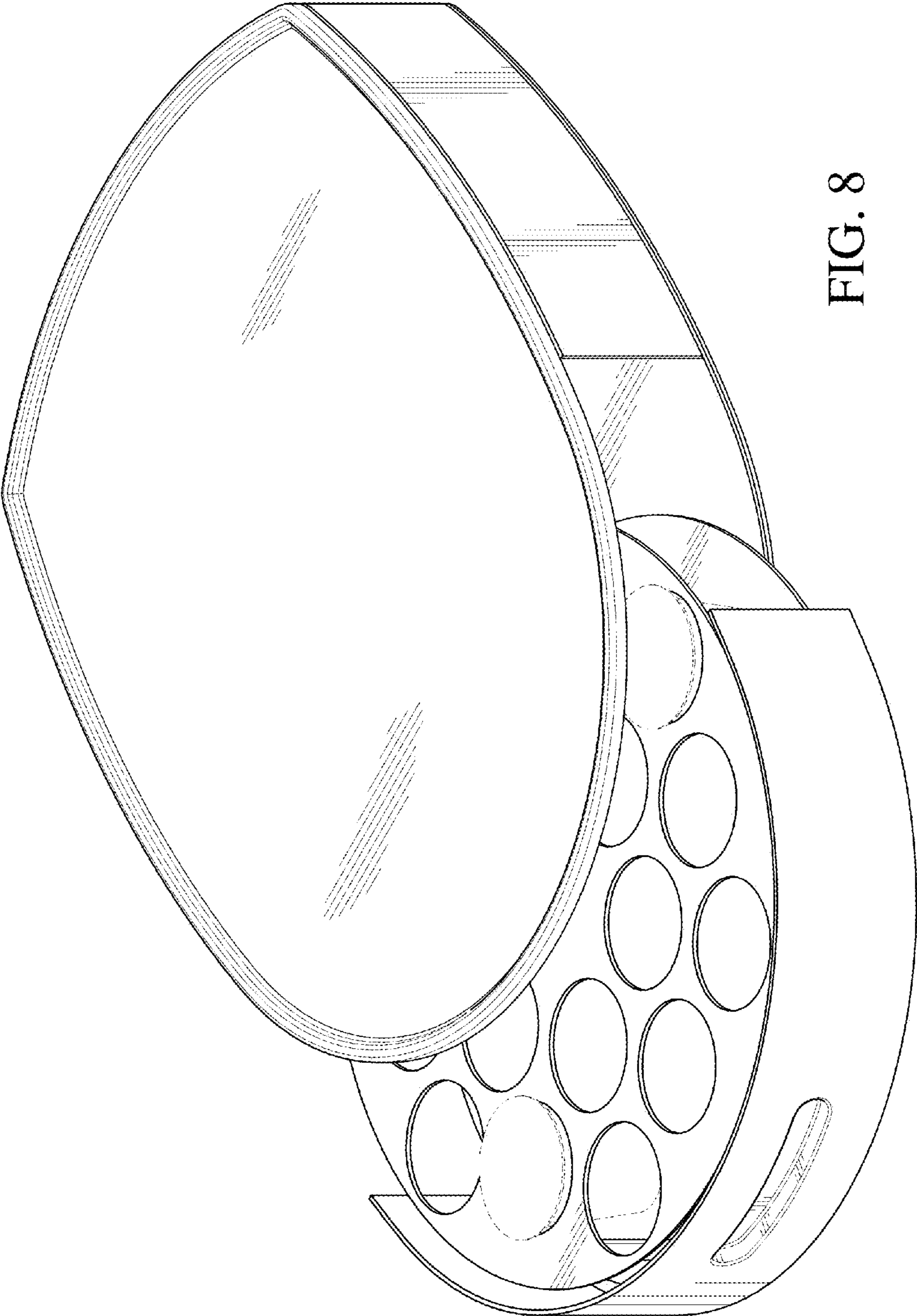


FIG. 8

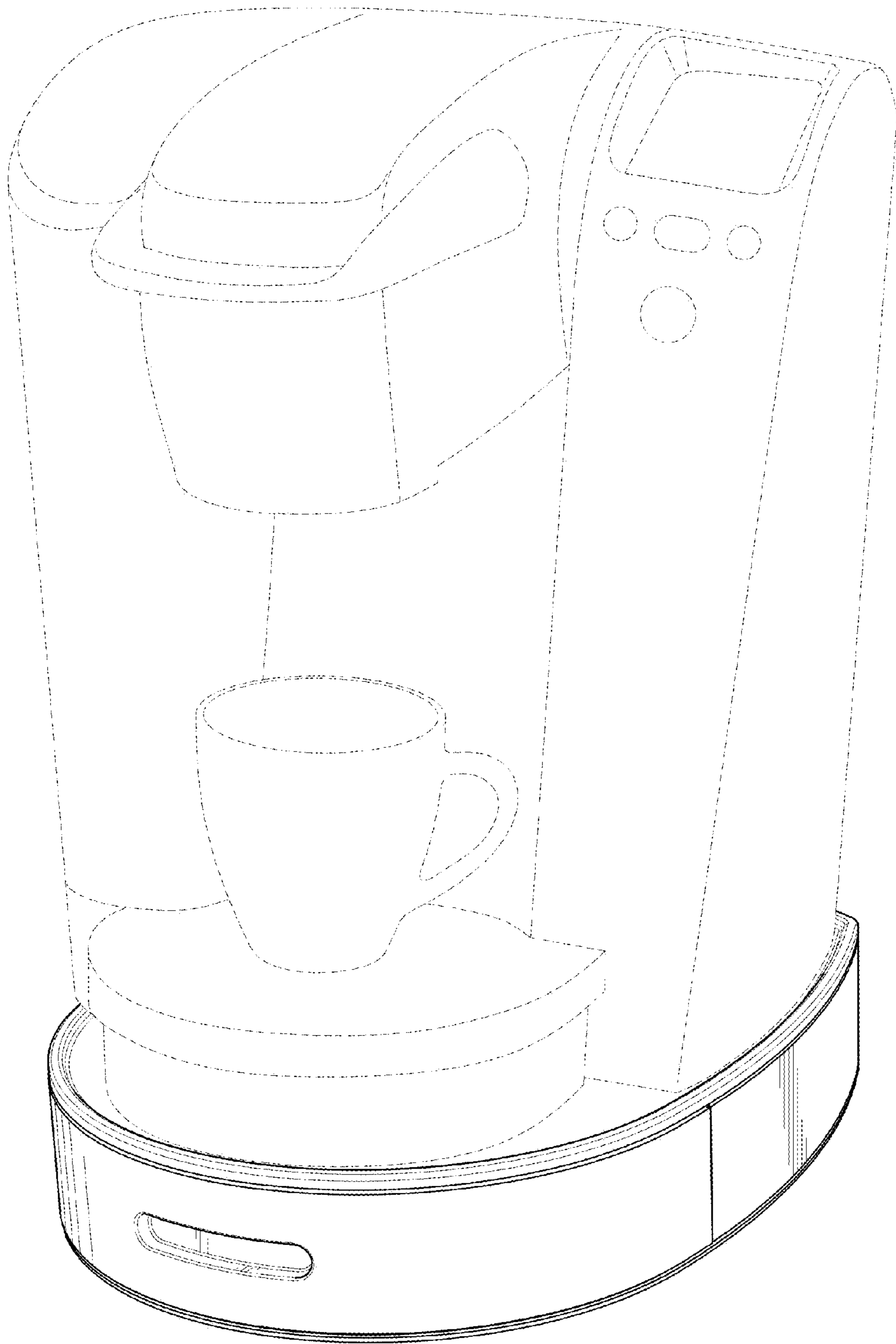


FIG. 9