



US00D686462S

(12) **United States Design Patent**  
**McPherson et al.**

(10) **Patent No.:** **US D686,462 S**

(45) **Date of Patent:** **\*\* Jul. 23, 2013**

(54) **CANISTER**

(75) Inventors: **Scott D. McPherson**, Paradise Valley, AZ (US); **Ben Dameron**, Coronado, CA (US); **Morten Jensen**, Mesa, AZ (US)

(73) Assignee: **iSpray, LLC**, Paradise Valley, AZ (US)

(\*\*) Term: **14 Years**

(21) Appl. No.: **29/413,550**

(22) Filed: **Feb. 16, 2012**

(51) **LOC (9) Cl.** ..... **07-06**

(52) **U.S. Cl.**  
USPC ..... **D7/589**

(58) **Field of Classification Search**  
USPC ..... D7/589, 300; 222/288, 185.1, 434,  
222/325, 153.14, 561, 160, 293, 305-307,  
222/368, 355, 363, 48  
See application file for complete search history.

(56) **References Cited**

U.S. PATENT DOCUMENTS

D188,631 S *	8/1960	Gorenflo	.....	D7/589
D270,028 S *	8/1983	Vernin	.....	D7/589
D320,140 S *	9/1991	Bersten	.....	D7/589

D372,171 S *	7/1996	Romero et al.	.....	D7/589
D388,662 S *	1/1998	Romero et al.	.....	D7/589
D467,465 S *	12/2002	Apelboim et al.	.....	D7/589
D557,988 S *	12/2007	Deeds	.....	D7/589
D592,461 S *	5/2009	Long et al.	.....	D7/589
D613,558 S *	4/2010	Gold et al.	.....	D7/589

\* cited by examiner

*Primary Examiner* — Terry Wallace

(74) *Attorney, Agent, or Firm* — John D. Titus

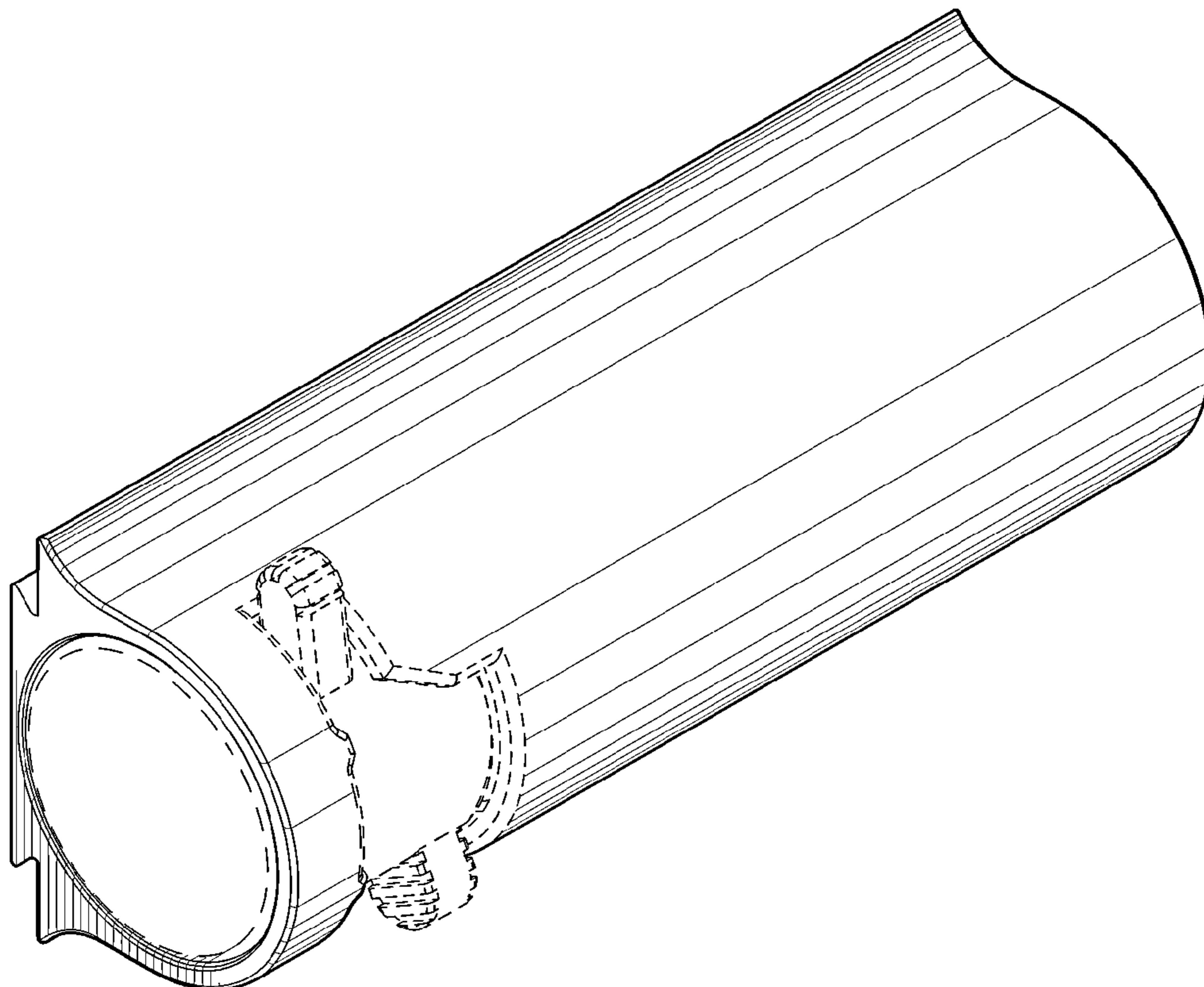
(57) **CLAIM**

The ornamental design for a canister, as shown and described.

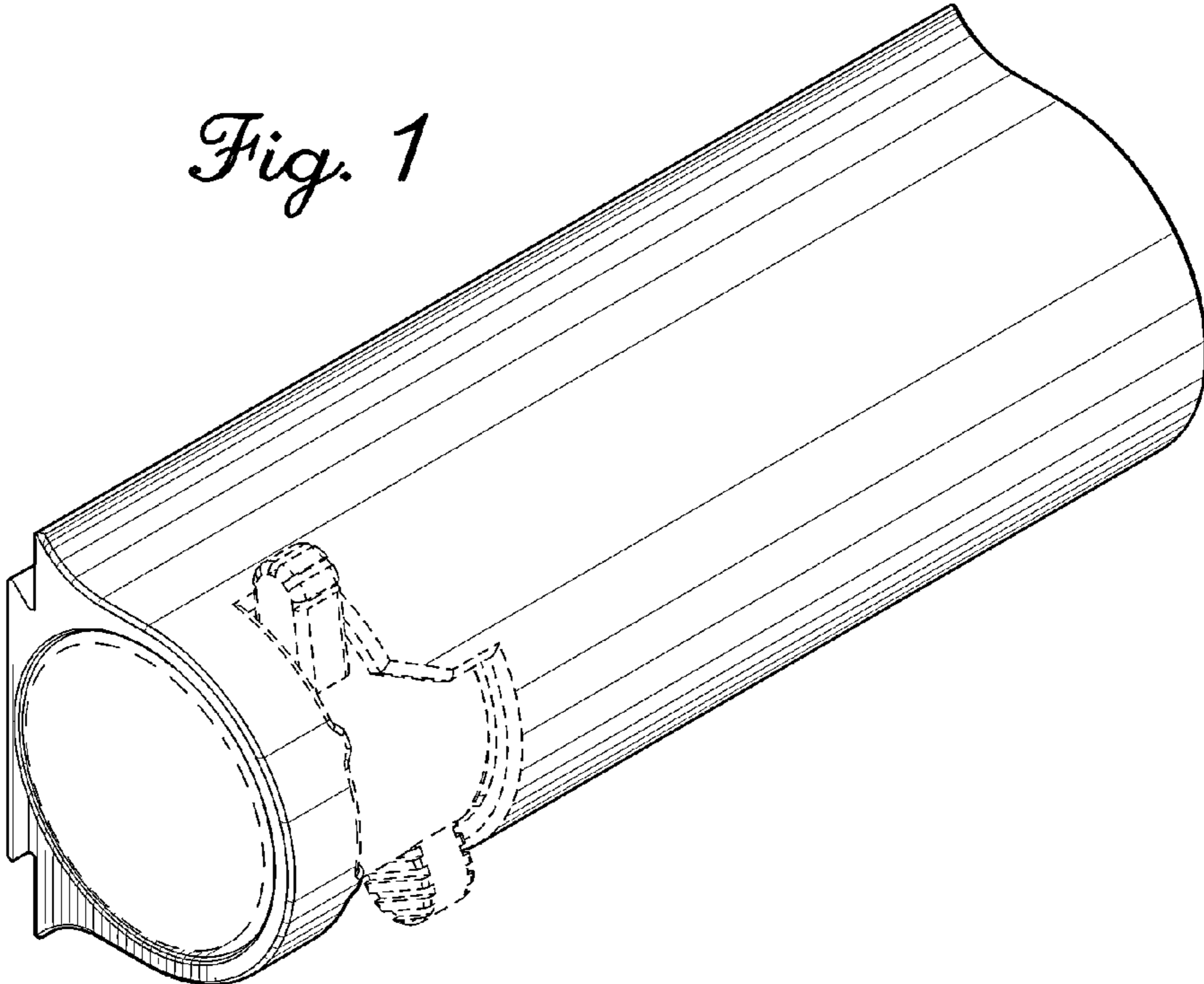
**DESCRIPTION**

FIG. 1 is a front perspective view of a canister showing our new design.  
 FIG. 2 is a rear perspective view thereof.  
 FIG. 3 is a side elevation view thereof.  
 FIG. 4 is a side elevation view thereof.  
 FIG. 5 is a top plan view thereof.  
 FIG. 6 is a bottom plan view thereof.  
 FIG. 7 is a front elevation view thereof; and,  
 FIG. 8 is a rear elevation view thereof.  
 The broken lines are for illustrative purposes only and form no part of the claimed design.

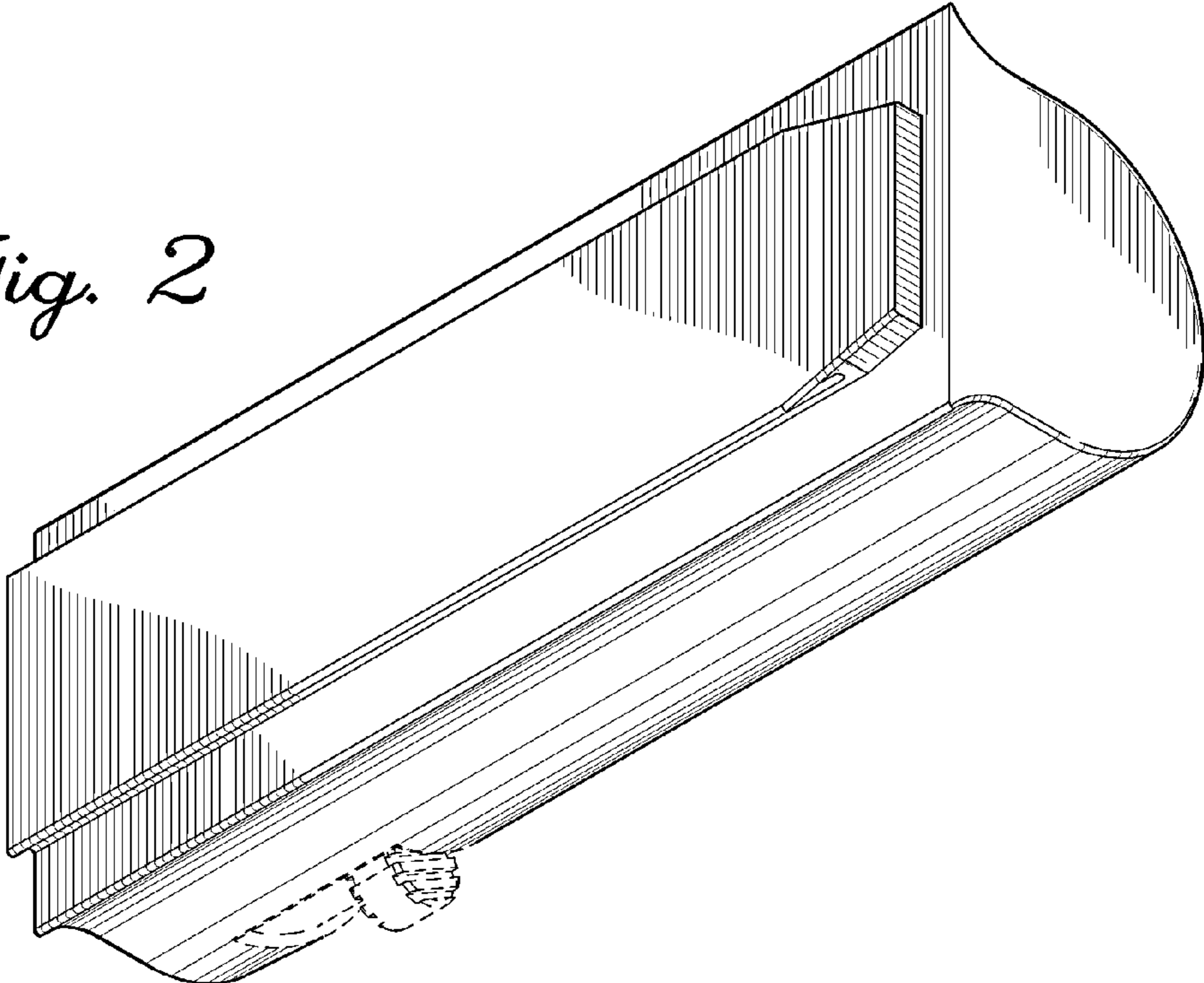
**1 Claim, 3 Drawing Sheets**

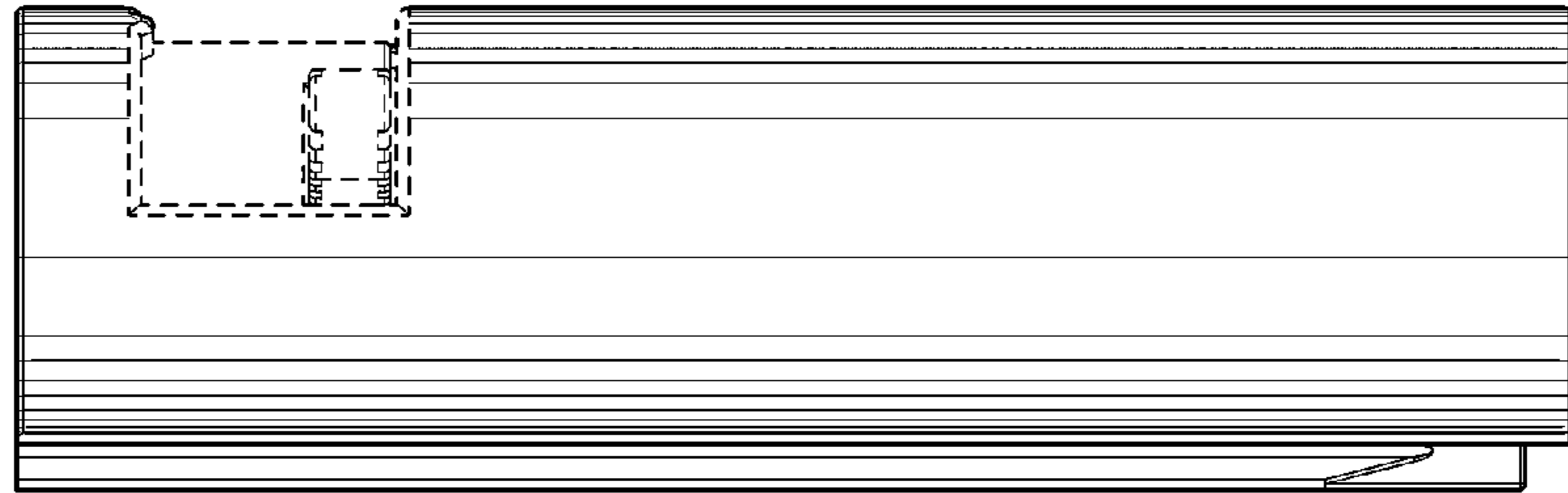


*Fig. 1*

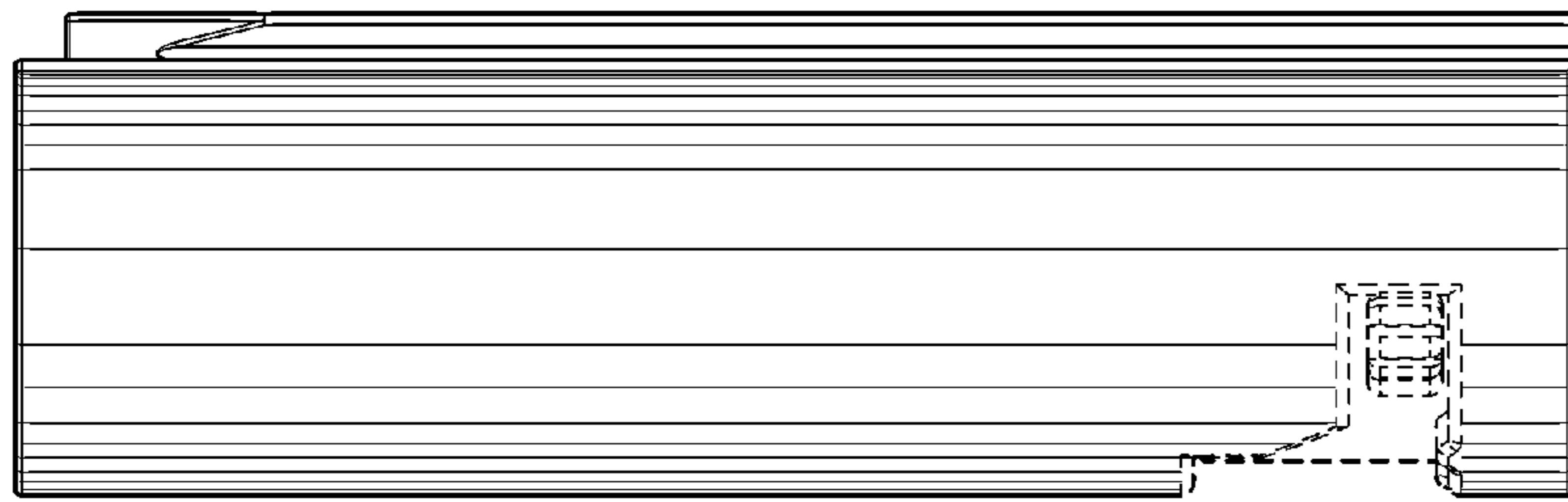


*Fig. 2*

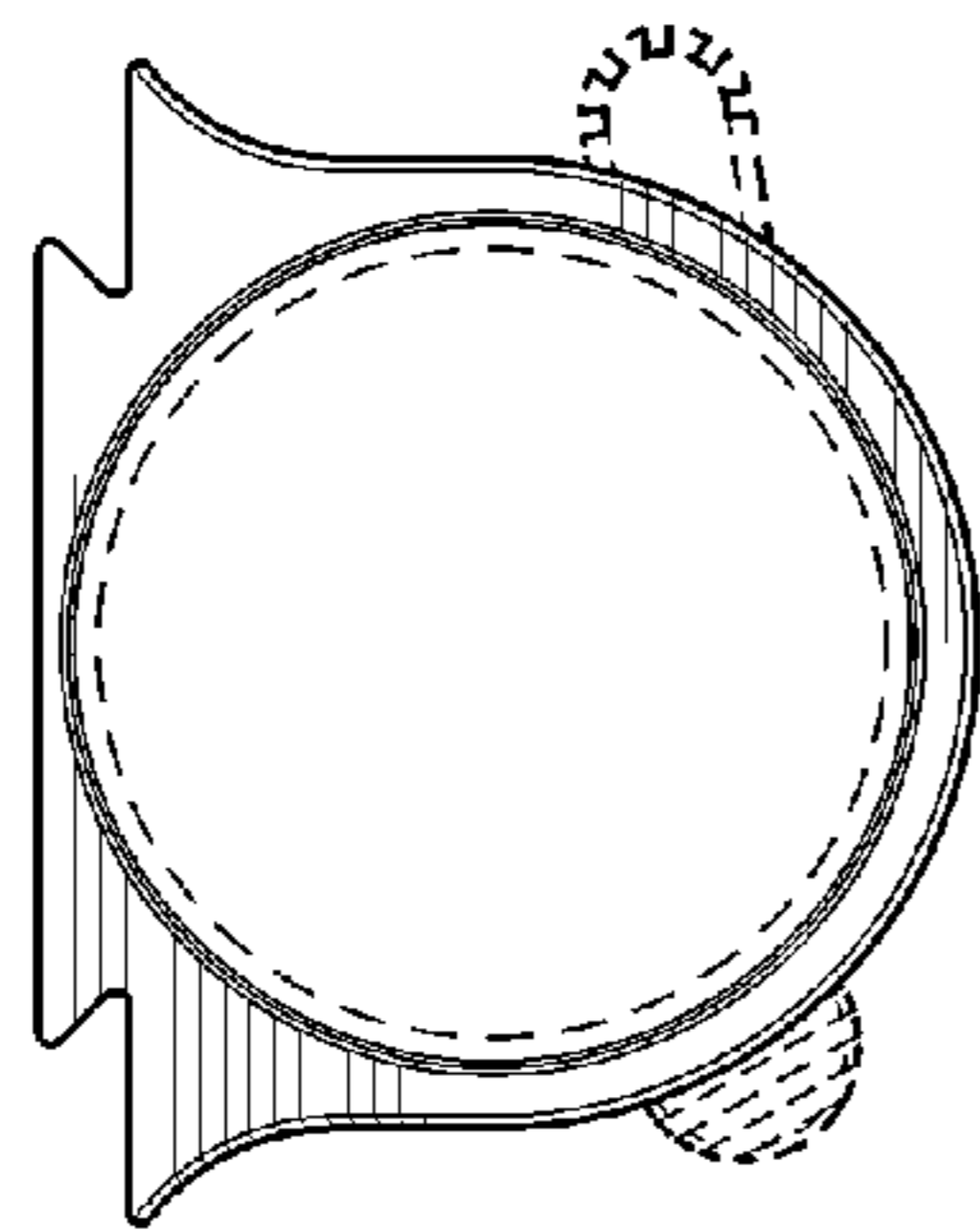




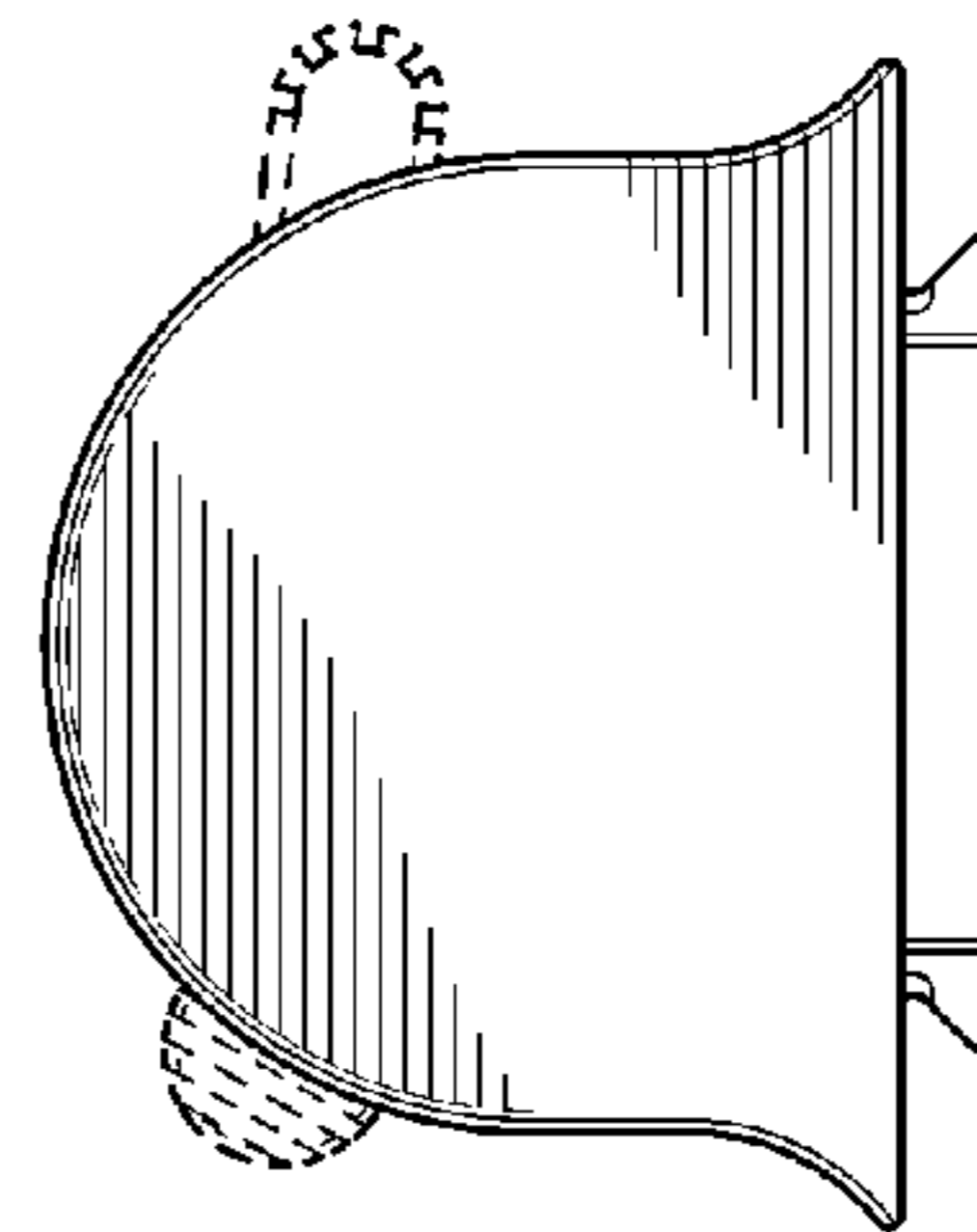
*Fig. 3*



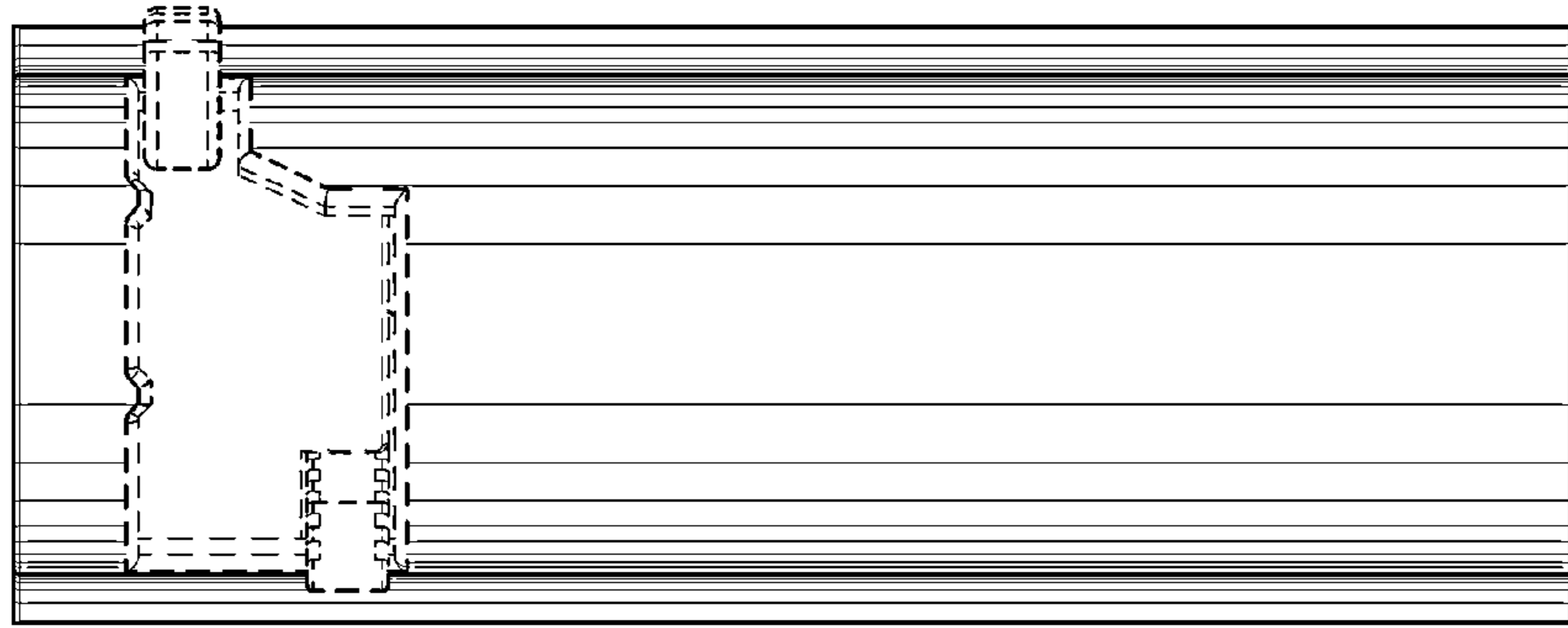
*Fig. 4*



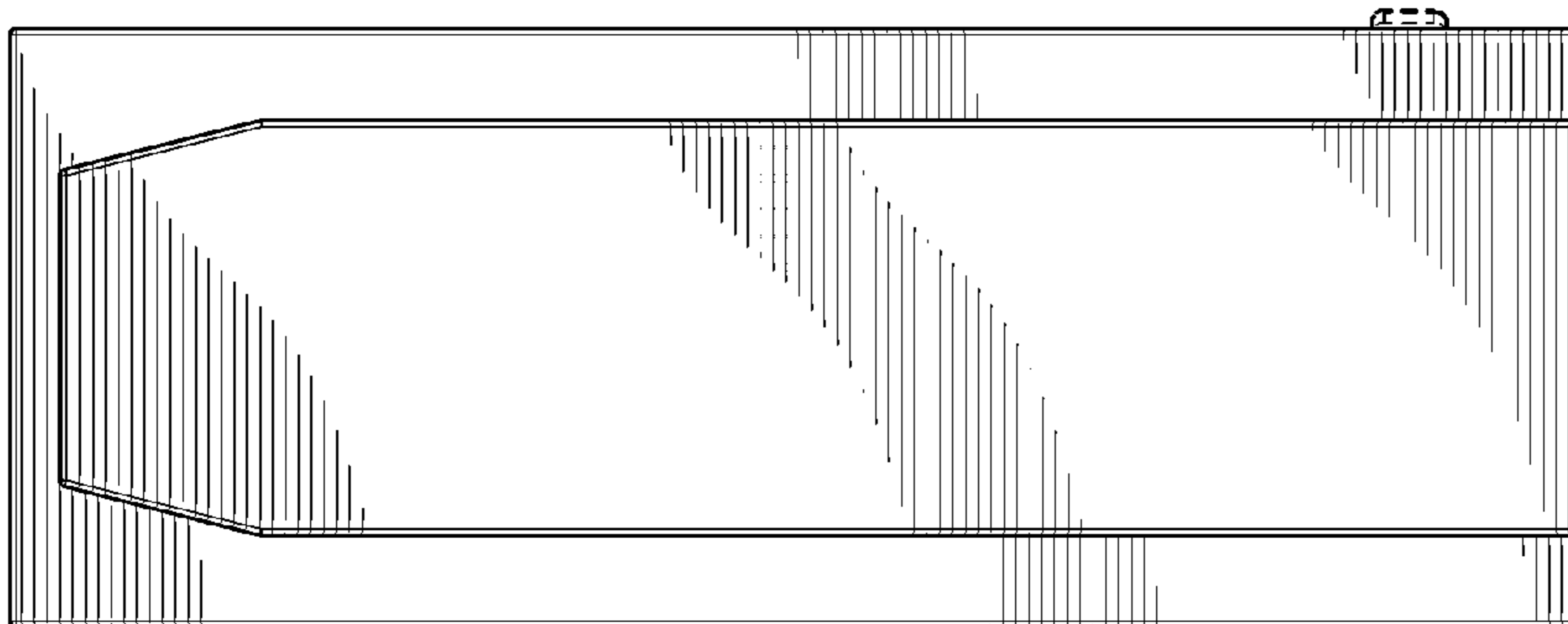
*Fig. 5*



*Fig. 6*



*Fig. 7*



*Fig. 8*