



US00D686459S

(12) **United States Design Patent**  
**Maggio**

(10) **Patent No.:** **US D686,459 S**  
(45) **Date of Patent:** **\*\* Jul. 23, 2013**

- (54) **TRAY**
- (71) Applicant: **Jordan Maggio**, New York, NY (US)
- (72) Inventor: **Jordan Maggio**, New York, NY (US)
- (73) Assignee: **Jordan Maggio**, New York, NY (US)
- (\*\*) Term: **14 Years**
- (21) Appl. No.: **29/444,288**
- (22) Filed: **Jan. 29, 2013**
- (51) **LOC (9) Cl.** ..... **07-01**
- (52) **U.S. Cl.**  
USPC ..... **D7/553.1**
- (58) **Field of Classification Search**  
USPC ..... D7/550.1, 396.1, 552.1, 553.1-553.4,  
D7/553.8, 554.1, 554.2, 555, 701; 220/495.03,  
220/527, 553, 555-557, 574-575; 211/71;  
294/146, 159, 172  
See application file for complete search history.

- 6,109,580 A \* 8/2000 Stern et al. .... 248/311.2
- D469,310 S \* 1/2003 Bukowski ..... D7/553.1
- D480,921 S \* 10/2003 Roehrig ..... D7/543
- D557,085 S \* 12/2007 Shamoon ..... D7/698
- 7,874,449 B1 \* 1/2011 Studee et al. .... 220/502
- D659,479 S \* 5/2012 Peck ..... D7/555
- 8,381,912 B2 \* 2/2013 Dalhamer ..... 206/557

\* cited by examiner

*Primary Examiner* — Kelley Donnelly  
(74) *Attorney, Agent, or Firm* — Fitzpatrick, Cella, Harper & Scinto

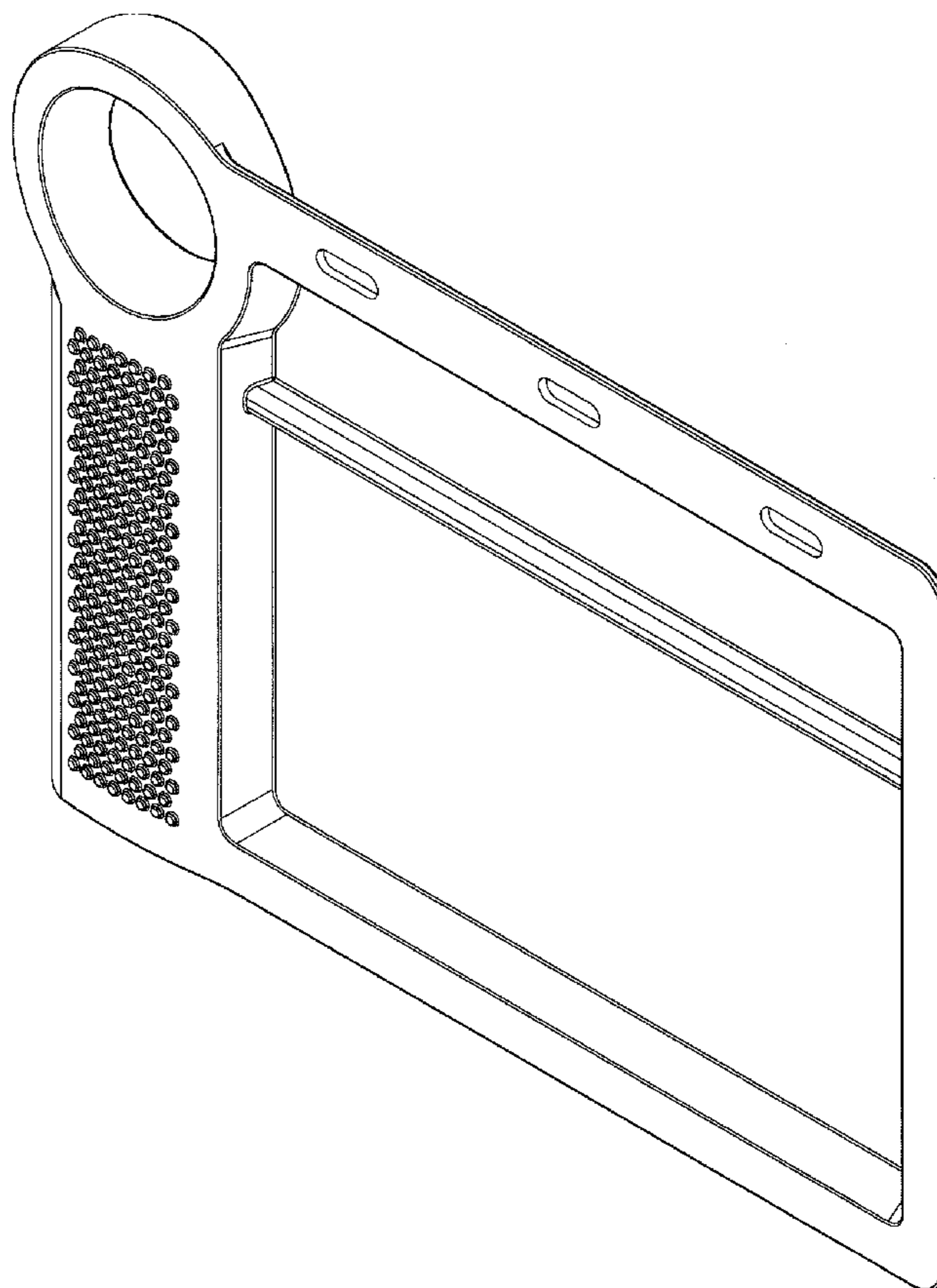
(57) **CLAIM**  
The ornamental design for a tray, as shown and described.

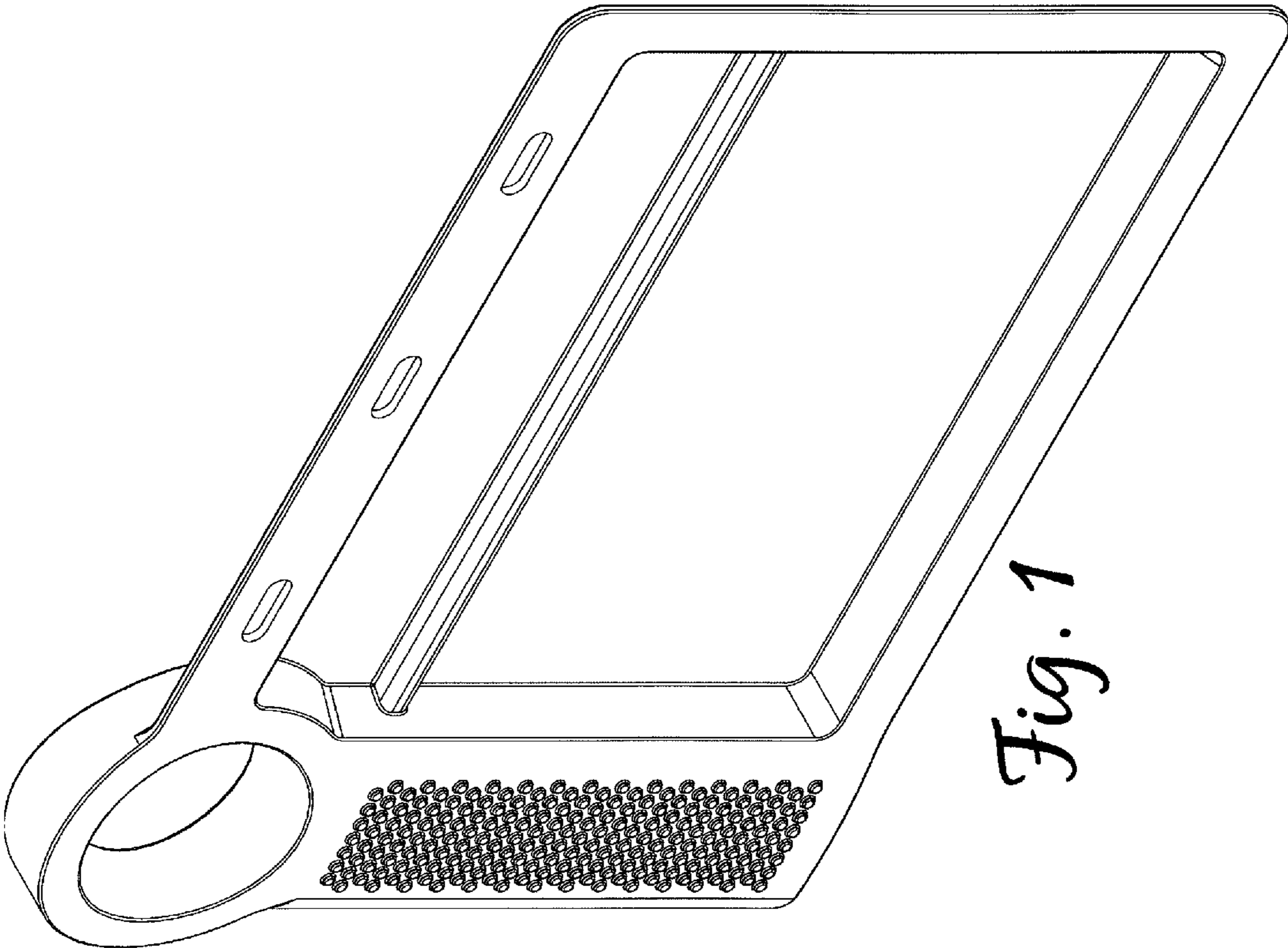
**DESCRIPTION**

FIG. 1 is a perspective view of a tray according to the present invention;  
FIG. 2 is a plan view of the tray of FIG. 1;  
FIG. 3 is a bottom view of the tray of FIG. 1;  
FIG. 4 is a side elevational view of the tray of FIG. 1, taken from the left side of FIG. 2;  
FIG. 5 is a side elevational view of the tray of FIG. 1, taken from the right side of FIG. 2;  
FIG. 6 is a side elevational view of the tray of FIG. 1, taken from the top of FIG. 2; and,  
FIG. 7 is a side elevational view of the tray of FIG. 1, then from the bottom of FIG. 2. pg.2.

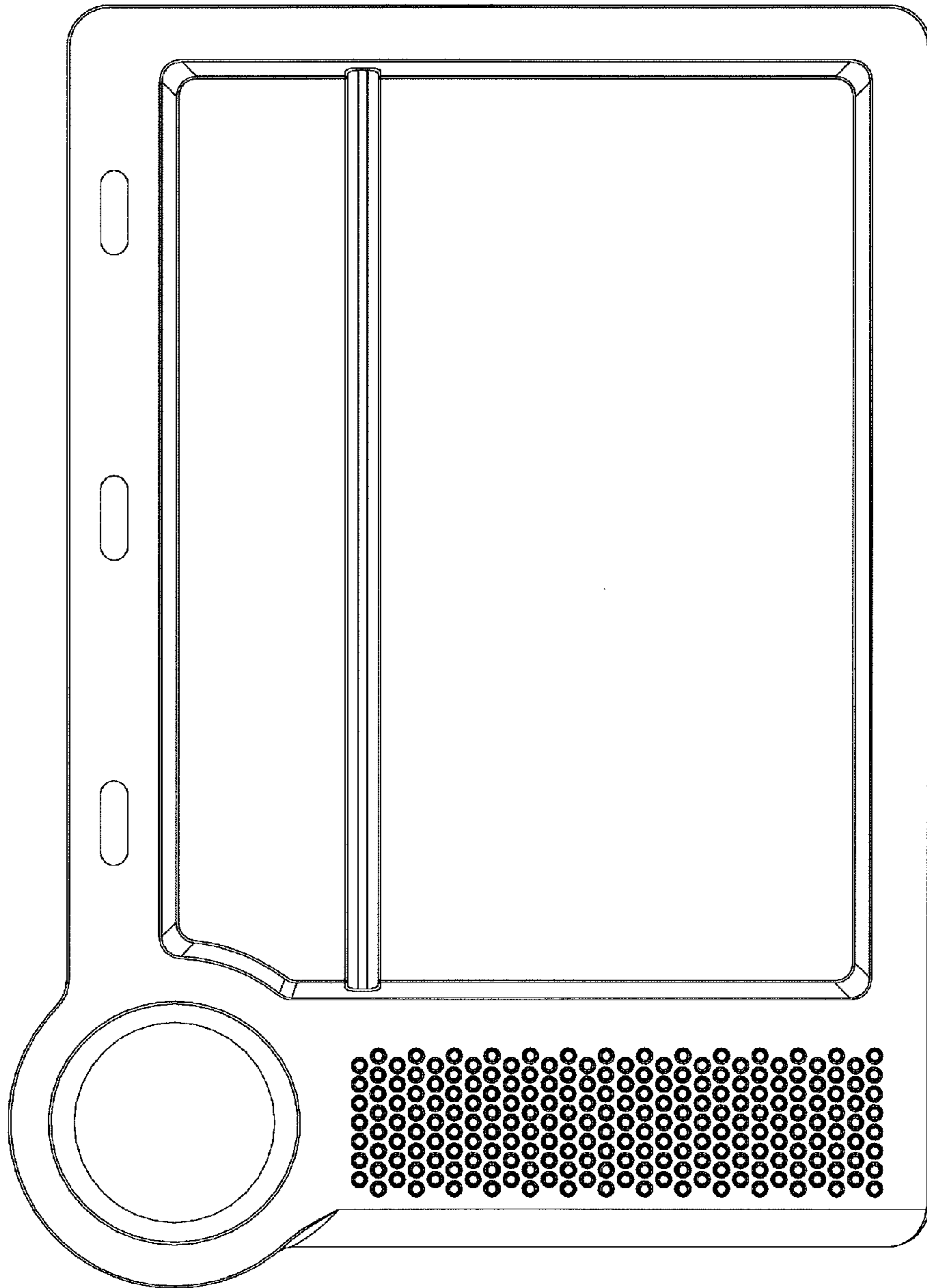
**1 Claim, 7 Drawing Sheets**

- (56) **References Cited**  
**U.S. PATENT DOCUMENTS**  
D406,727 S \* 3/1999 Weatherby et al. .... D7/553.1  
D420,855 S \* 2/2000 Hurley ..... D7/549

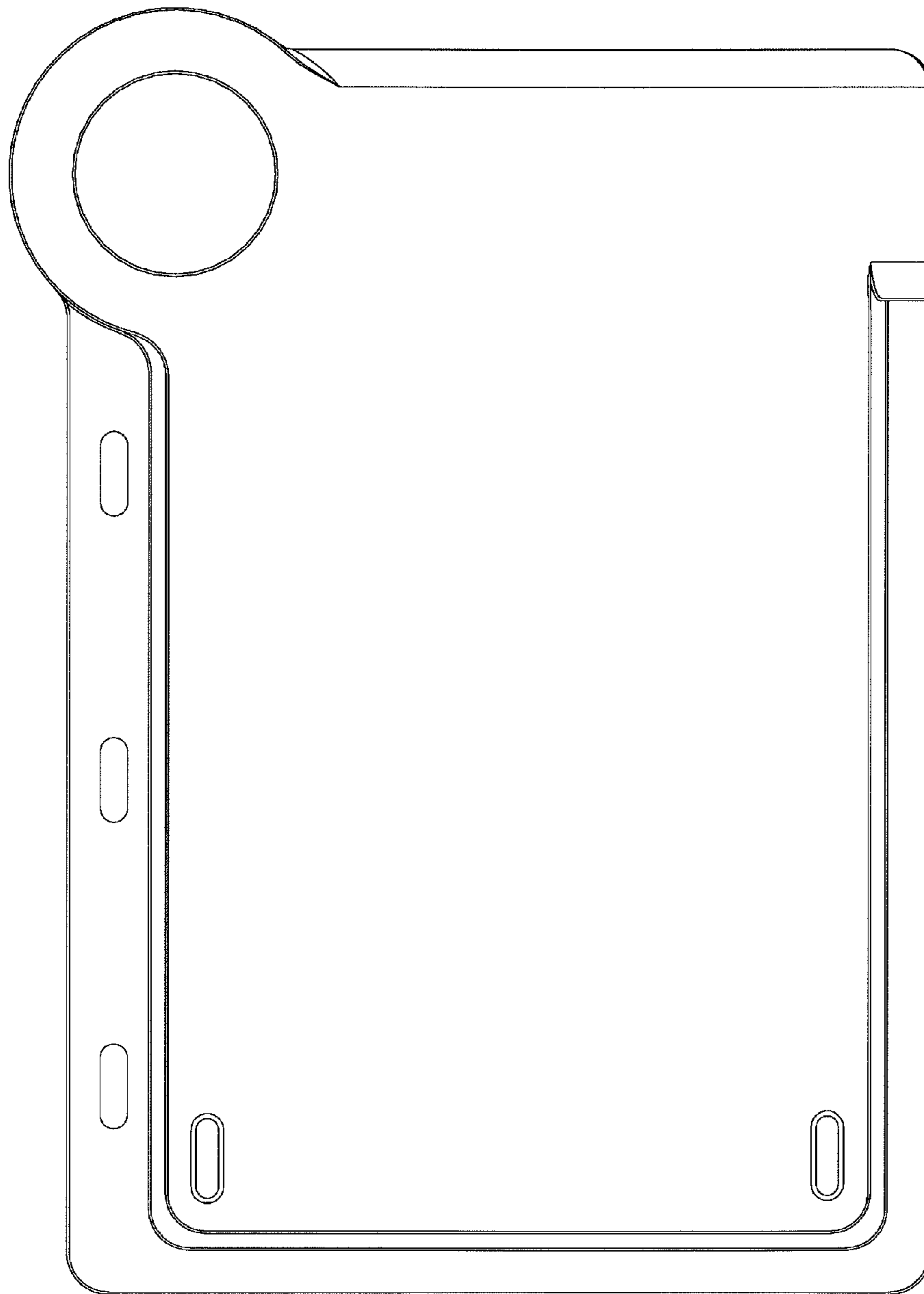




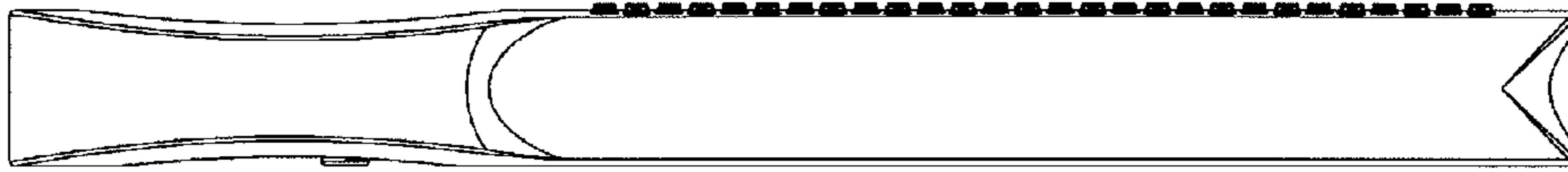
*Fig. 1*



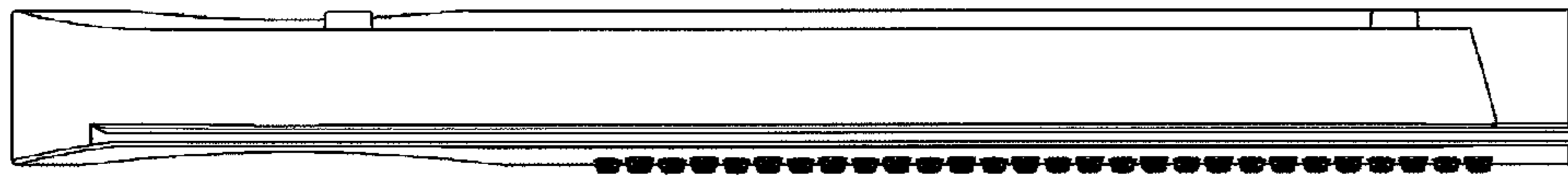
*Fig. 2*



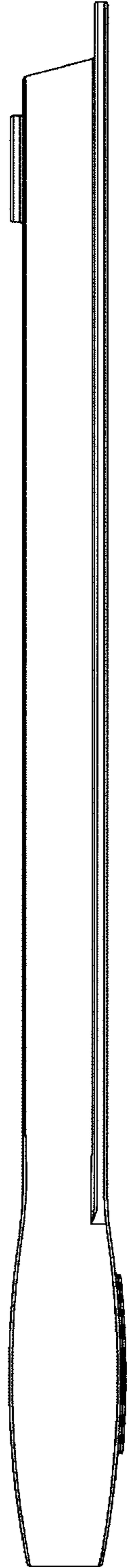
*Fig. 3*



*Fig. 4*

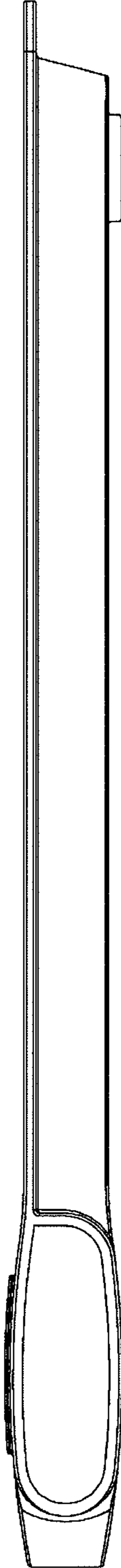


*Fig. 5*



*Fig. 6*





*Fig. 7*