



US00D686455S

(12) **United States Design Patent**
Gold et al.

(10) **Patent No.:** **US D686,455 S**

(45) **Date of Patent:** **** Jul. 23, 2013**

(54) **BOWL**

(76) Inventors: **Jonathan Morris Gold**, London (GB);
Daniel Jason Tyler, London (GB)

(**) **Term:** **14 Years**

(21) **Appl. No.:** **29/430,791**

(22) **Filed:** **Aug. 30, 2012**

(51) **LOC (9) Cl.** **07-01**

(52) **U.S. Cl.**
USPC **D7/543**

(58) **Field of Classification Search**
USPC D7/501, 505, 538, 543, 545, 500,
D7/590, 360, 600.2, 553.6, 392.1, 601, 354,
D7/555, 557, 566, 620, 629, 552.1, 589, 586;
D9/743, 745; 220/751, 23.4, 574; 206/514;
73/426

See application file for complete search history.

(56) **References Cited**

U.S. PATENT DOCUMENTS

D188,285 S * 6/1960 Scavullo D7/555
D477,186 S * 7/2003 de Groote et al. D7/543
D526,850 S * 8/2006 Sellers et al. D7/545

D543,074 S * 5/2007 Luft D7/543
D556,501 S * 12/2007 Stewart et al. D7/354
D564,138 S * 3/2008 Dunn et al. D30/129
D625,956 S * 10/2010 Goddard-Clark et al. D7/543
D656,792 S * 4/2012 Sink et al. D7/586

* cited by examiner

Primary Examiner — Cynthia Underwood

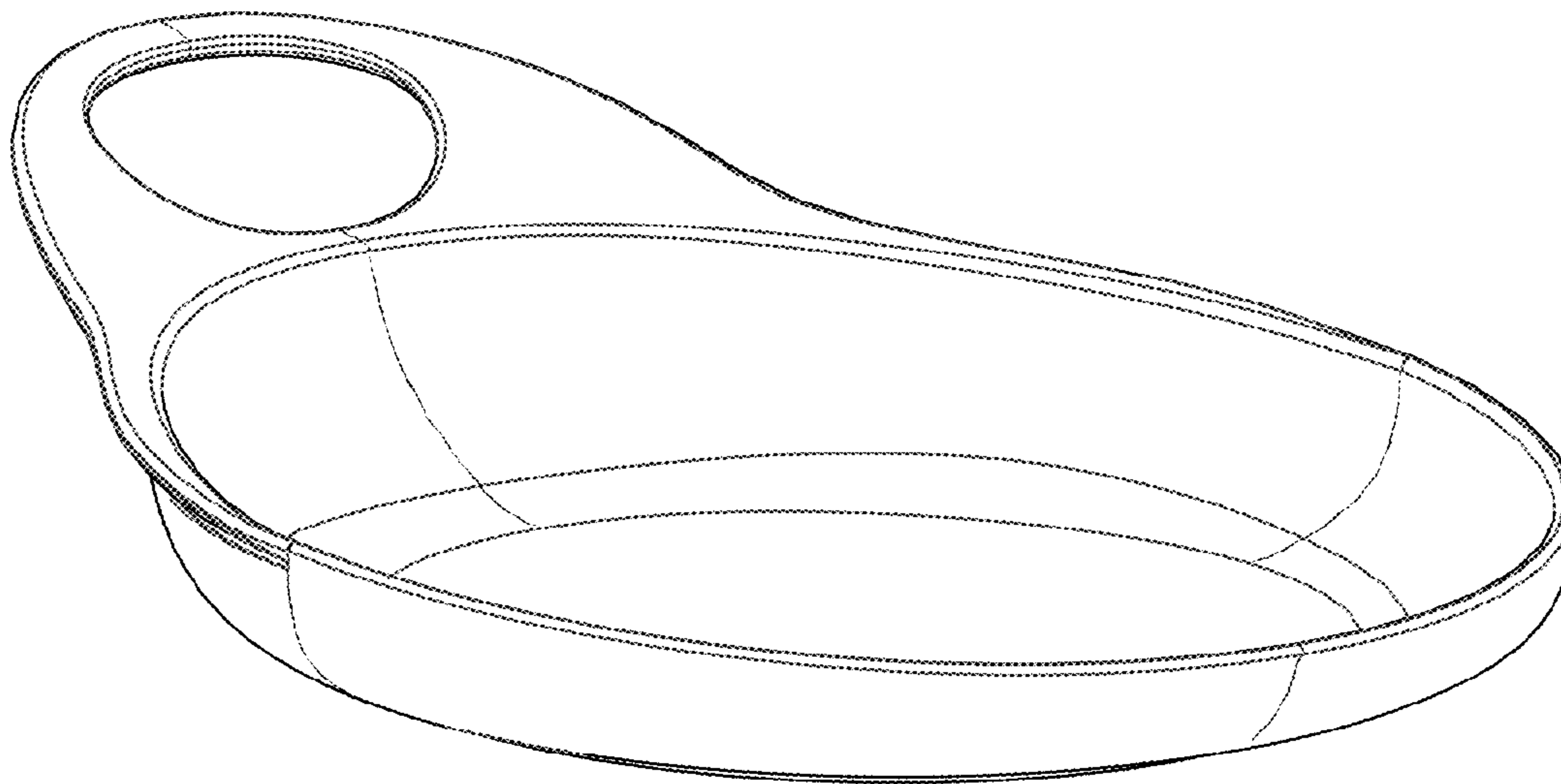
(57) **CLAIM**

The ornamental design for a bowl, as shown and described.

DESCRIPTION

FIG. 1 is a perspective view of a bowl showing our new design;
FIG. 2 is a top plan view thereof;
FIG. 3 is a bottom plan view thereof;
FIG. 4 is a first side elevational view thereof;
FIG. 5 is a second side elevational view thereof rotated by 180° relative to the first side elevational view of FIG. 4;
FIG. 6 is a front elevational view thereof; and,
FIG. 7 is a rear elevational view thereof.
The broken lines are for illustrative purposes only and form no part of the claim.

1 Claim, 7 Drawing Sheets



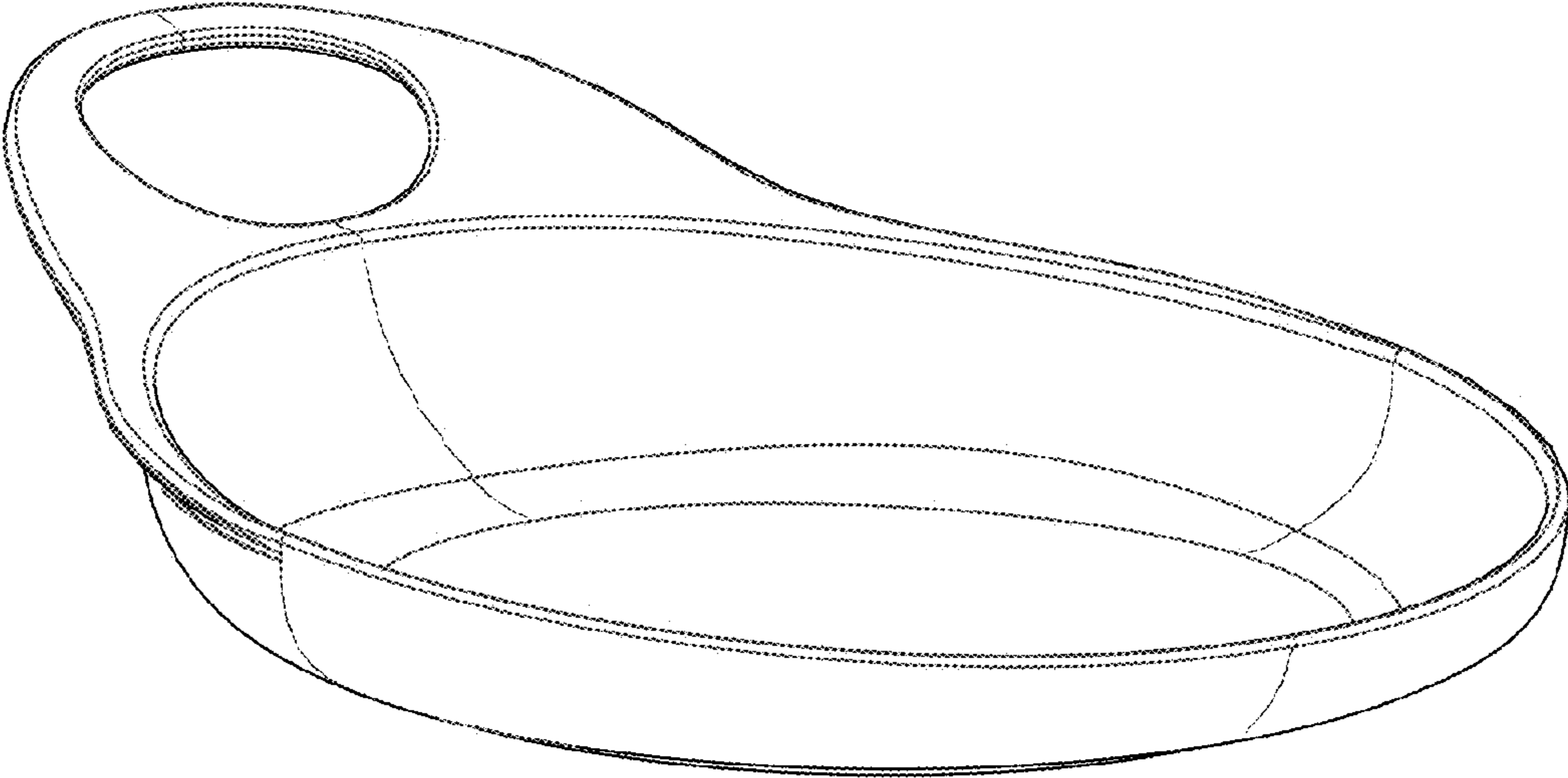


Fig. 1

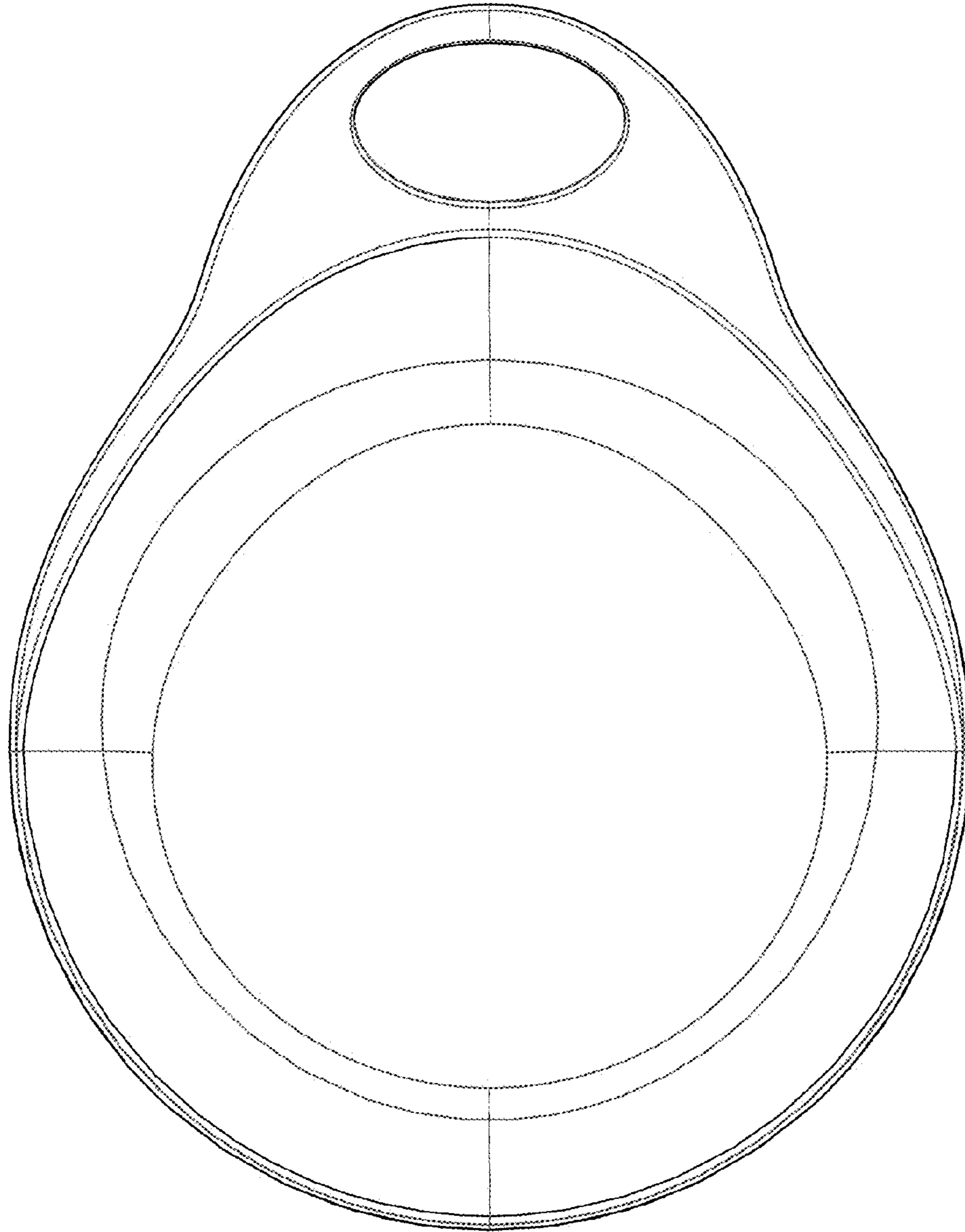


Fig. 2

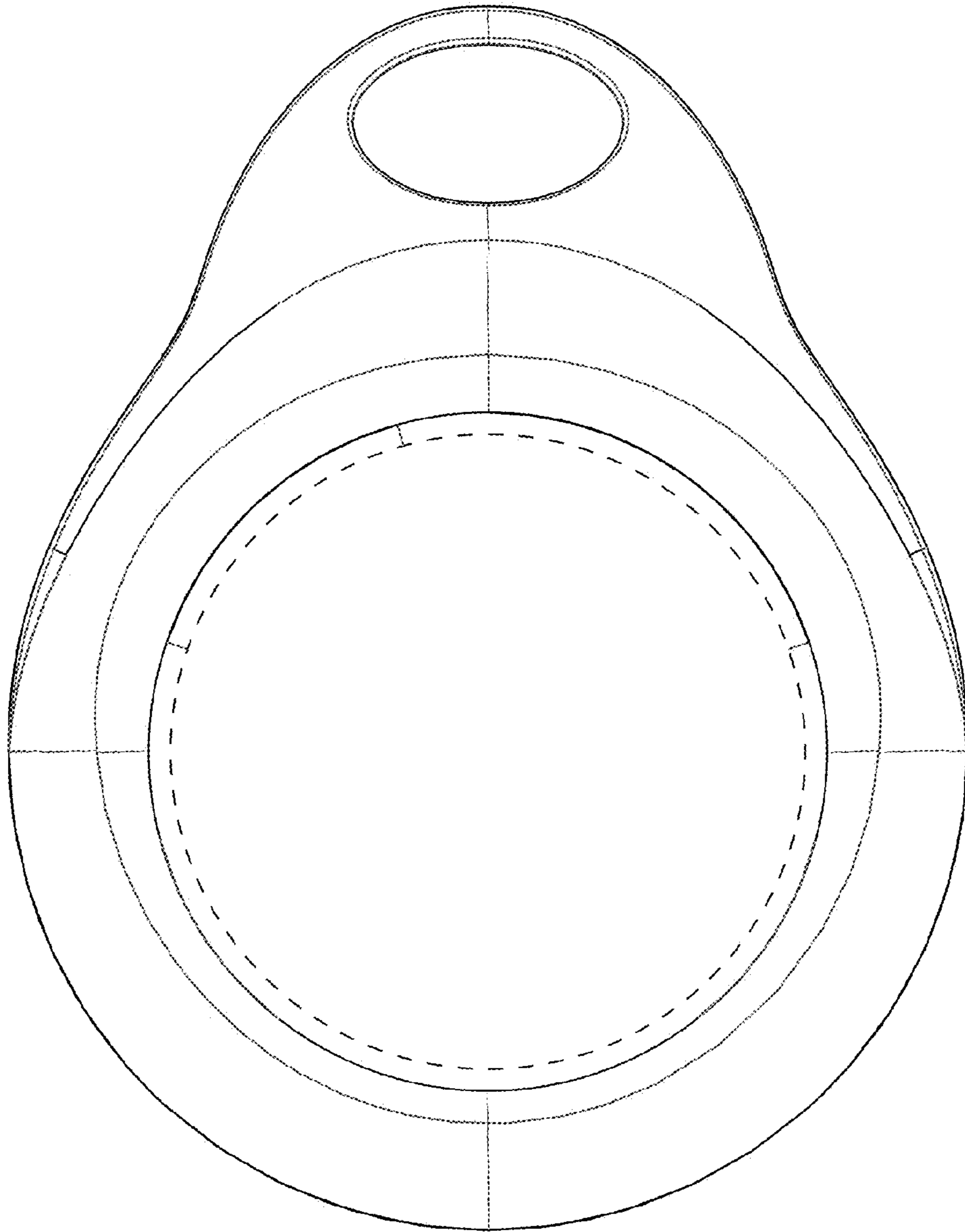


Fig. 3

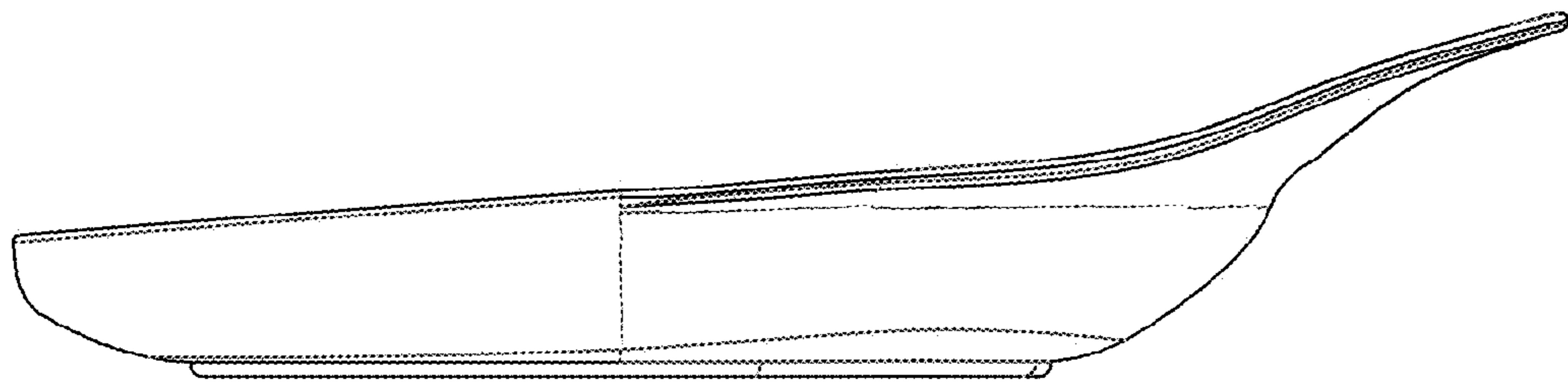


Fig. 4

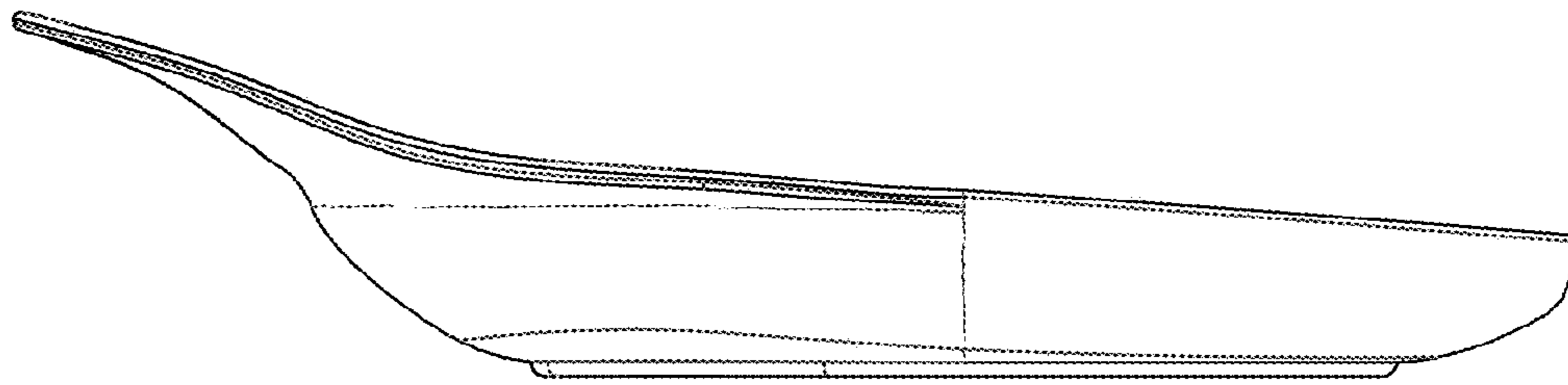


Fig. 5

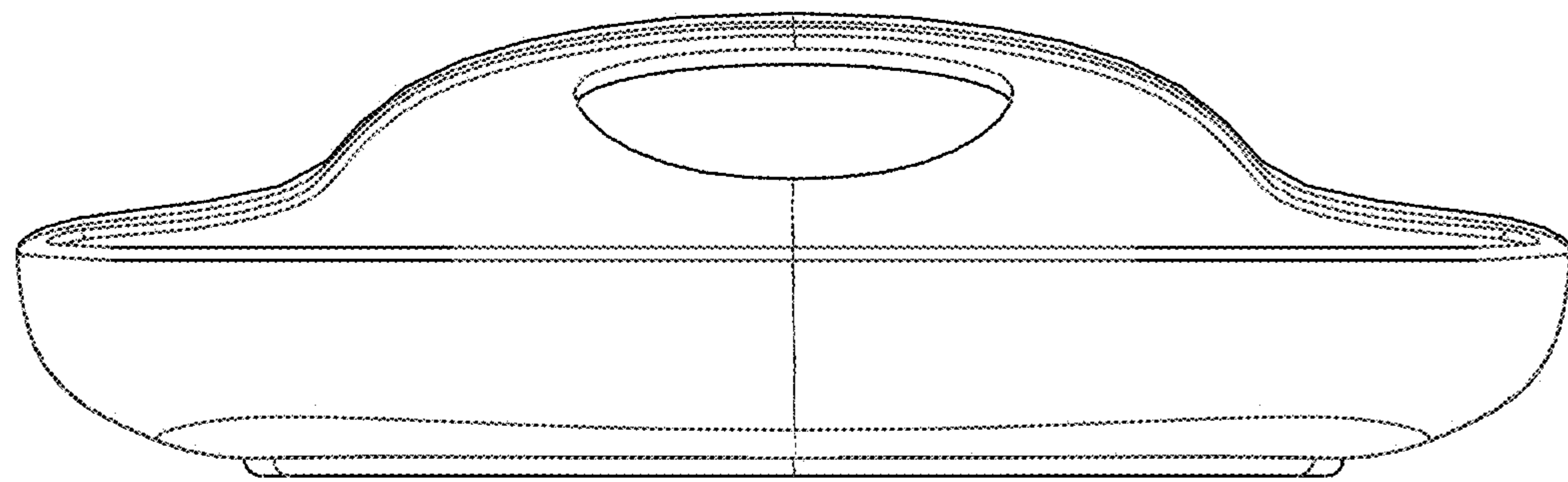


Fig. 6

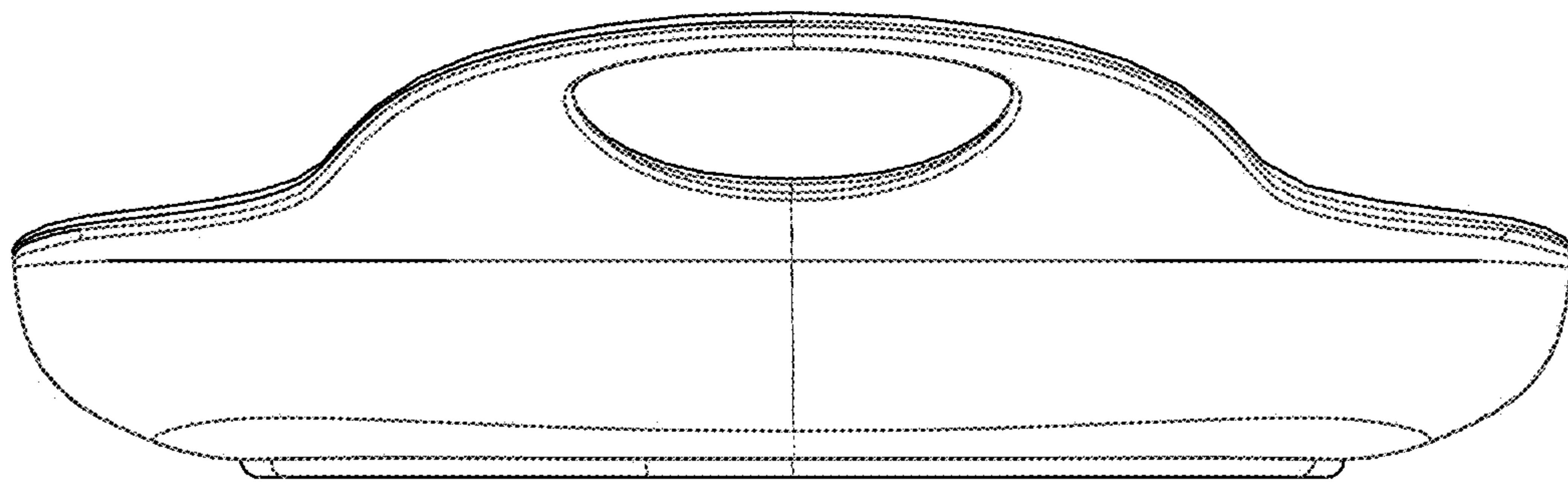


Fig. 7