



US00D686453S

(12) **United States Design Patent**
Smiedt et al.

(10) **Patent No.:** **US D686,453 S**
(45) **Date of Patent:** **** Jul. 23, 2013**

- (54) **BEVERAGE CONTAINER**
- (75) Inventors: **Richard Smiedt**, New York, NY (US);
Karim Rashid, New York, NY (US)
- (73) Assignee: **Seventh Generation Ventures, Inc.**,
Burlington, VT (US)
- (**) Term: **14 Years**
- (21) Appl. No.: **29/415,601**
- (22) Filed: **Mar. 12, 2012**
- (51) **LOC (9) Cl.** **07-01**
- (52) **U.S. Cl.**
USPC **D7/510**
- (58) **Field of Classification Search**
USPC D7/300.2, 509, 510, 511; D9/500,
D9/539, 503, 504, 538; 215/379, 382, 6,
215/388
See application file for complete search history.

D620,754 S *	8/2010	Duke	D7/510
D620,758 S *	8/2010	Smiedt et al.	D7/523
D621,660 S *	8/2010	Smiedt et al.	D7/510
7,806,044 B2	10/2010	Lin	
D642,438 S *	8/2011	Schofield et al.	D7/510
D647,802 S *	11/2011	Bunce et al.	D9/504
8,205,542 B2	6/2012	Gilbert	
D666,874 S *	9/2012	Sakulsacha	D7/510
2010/0037780 A1	2/2010	Pas et al.	
2010/0263549 A1	10/2010	Lee	

FOREIGN PATENT DOCUMENTS

GB 2441046 A 2/2008

* cited by examiner

Primary Examiner — George D Kirschbaum

Assistant Examiner — Janice Hallmark

(74) *Attorney, Agent, or Firm* — LaBatt, LLC

(57) **CLAIM**

The ornamental design for a beverage container, as shown and described.

DESCRIPTION

FIG. 1 is a top, front, left side perspective view of a beverage container according to the present design.

FIG. 2 is a front elevation view of the present design.

FIG. 3 is a rear elevation view of the present design.

FIG. 4 is a right side elevation view of the present design.

FIG. 5 is a left side elevation view of the present design.

FIG. 6 is a top plan view of the present design; and,

FIG. 7 is a bottom plan view of the present design.

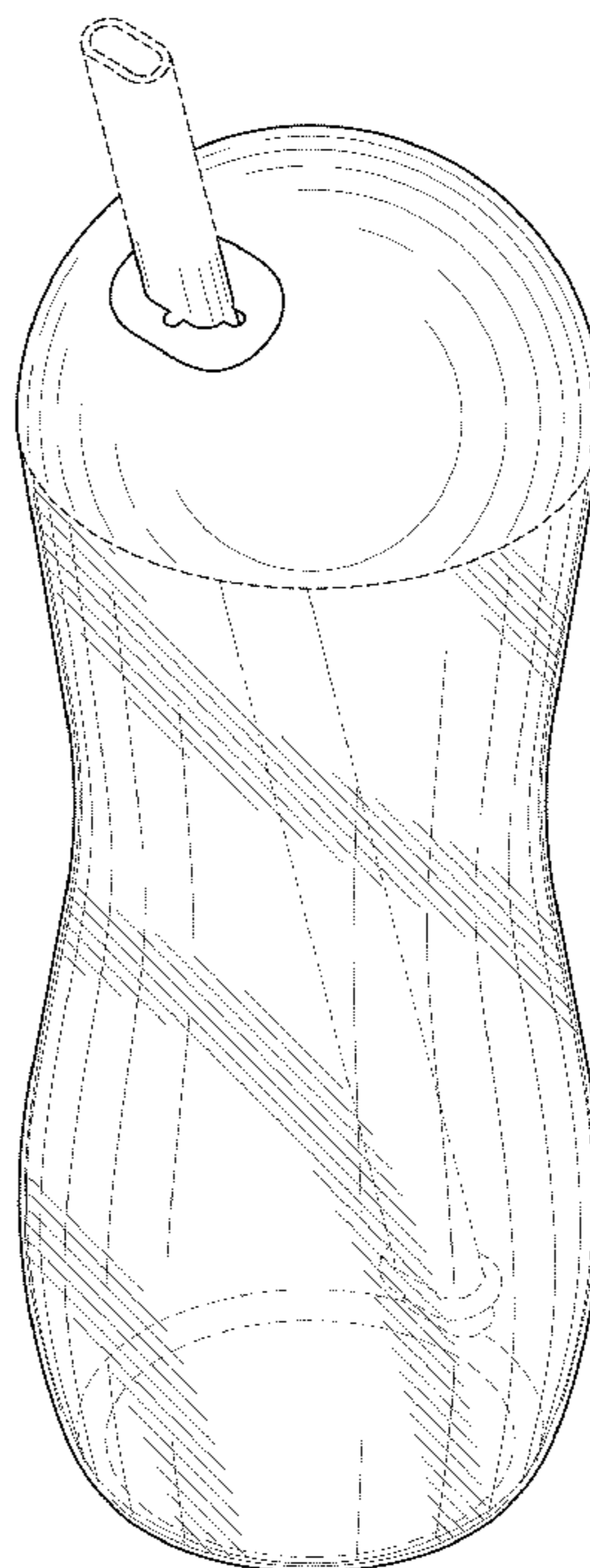
The broken lines illustrate environmental structure and form no part of the claimed design.

1 Claim, 6 Drawing Sheets

(56) **References Cited**

U.S. PATENT DOCUMENTS

1,211,614 A	1/1917	Morales	
1,424,774 A	8/1922	Pearl	
4,869,159 A	9/1989	Yan et al.	
5,441,752 A	8/1995	Sandin	
5,609,092 A	3/1997	Chen	
D398,519 S *	9/1998	Keene	D9/643
D422,208 S *	4/2000	Brose	D9/668
D580,708 S *	11/2008	George	D7/510
D580,765 S *	11/2008	Amann	D9/504
D604,991 S *	12/2009	Ablo	D7/510
D609,527 S *	2/2010	Roehrig et al.	D7/510



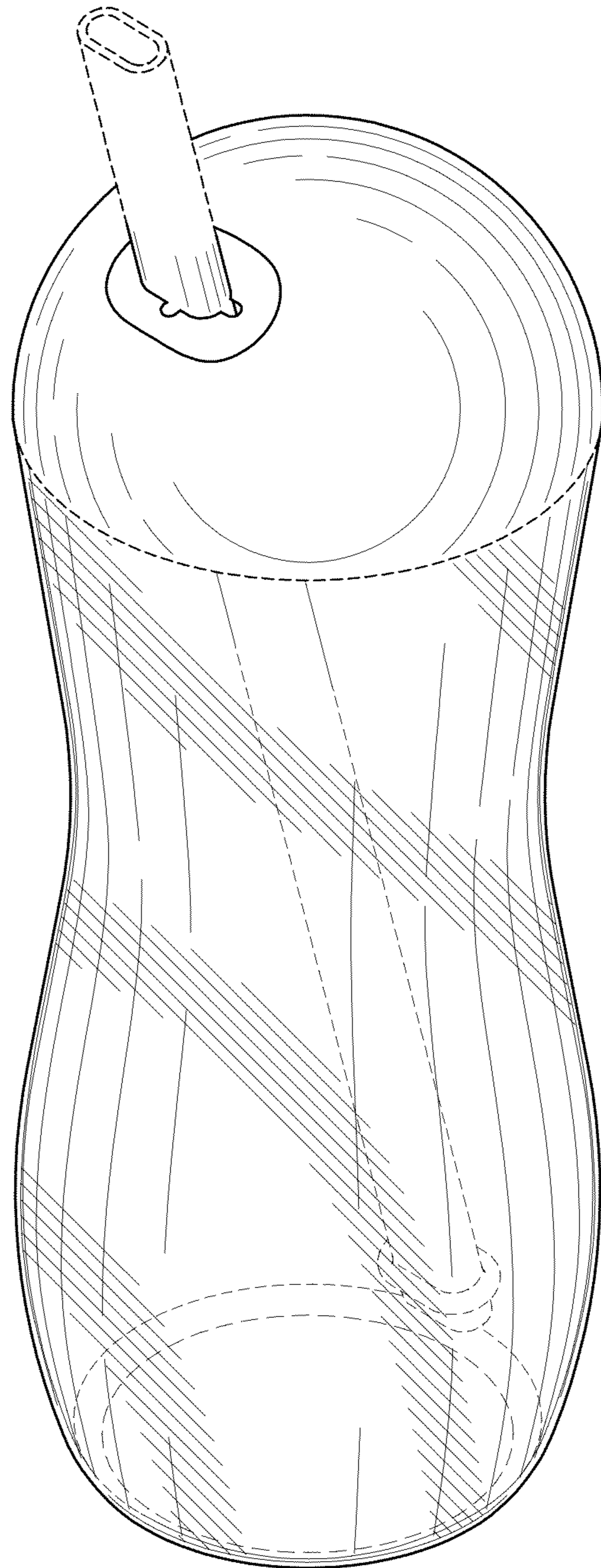


FIG. 1

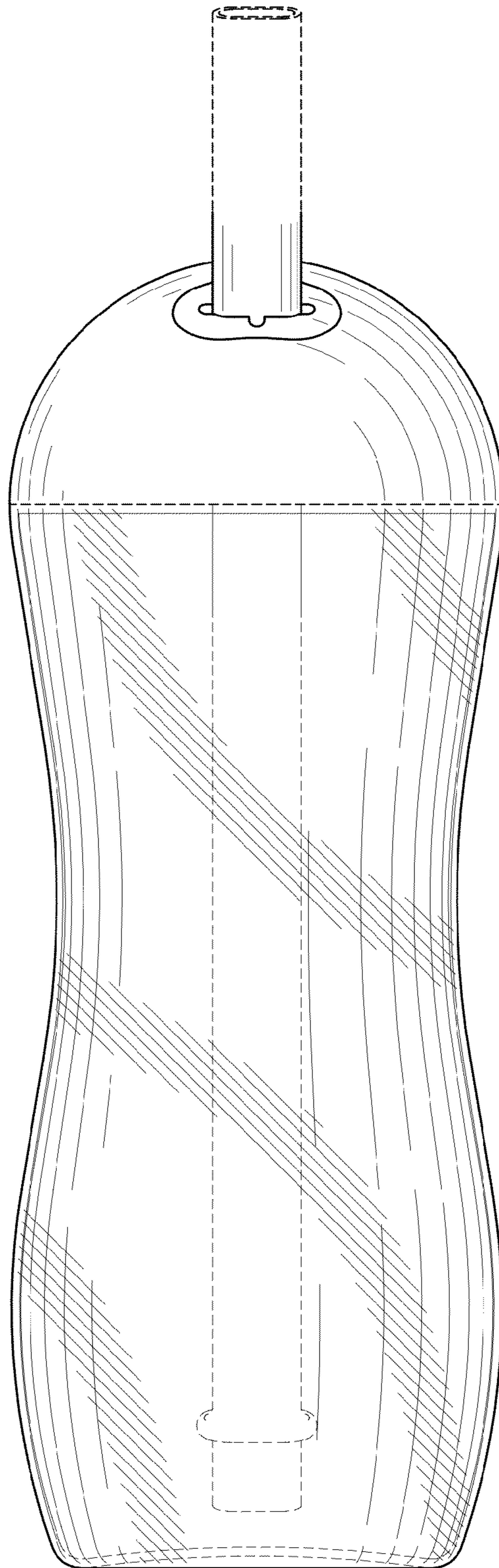


FIG. 2

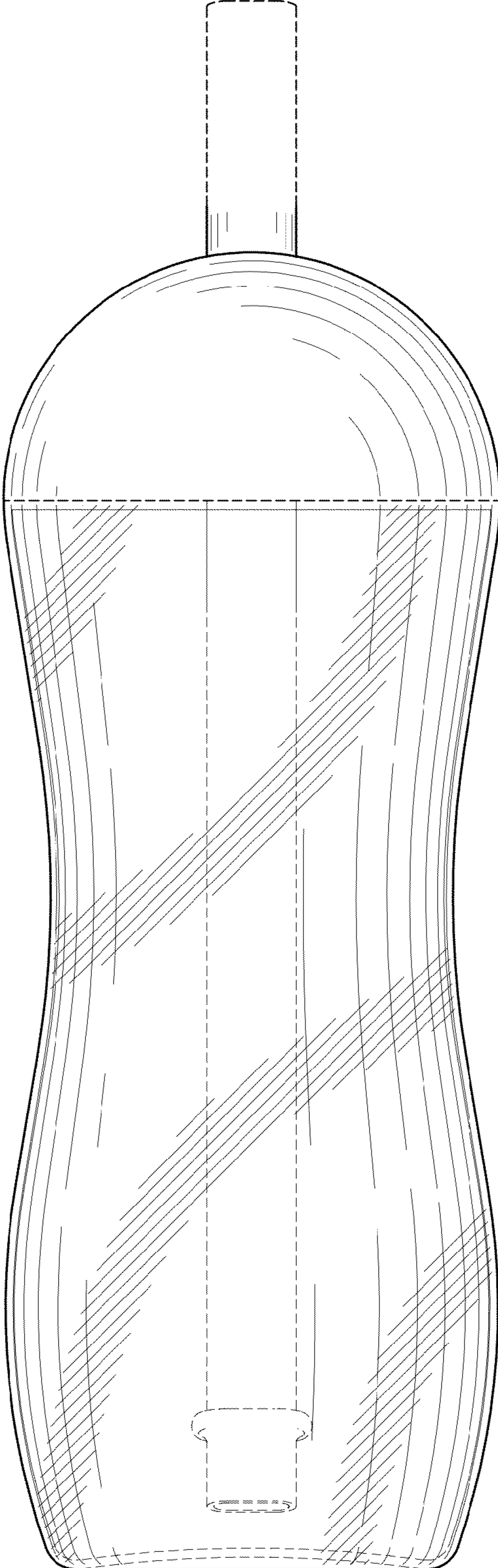


FIG. 3

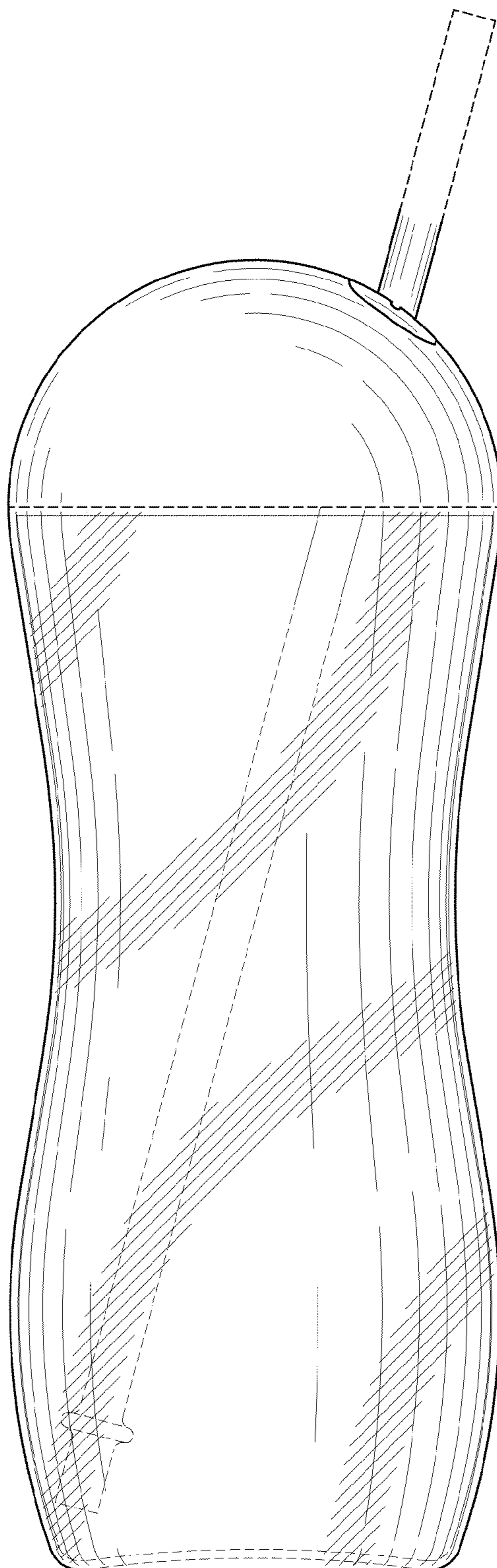


FIG. 4

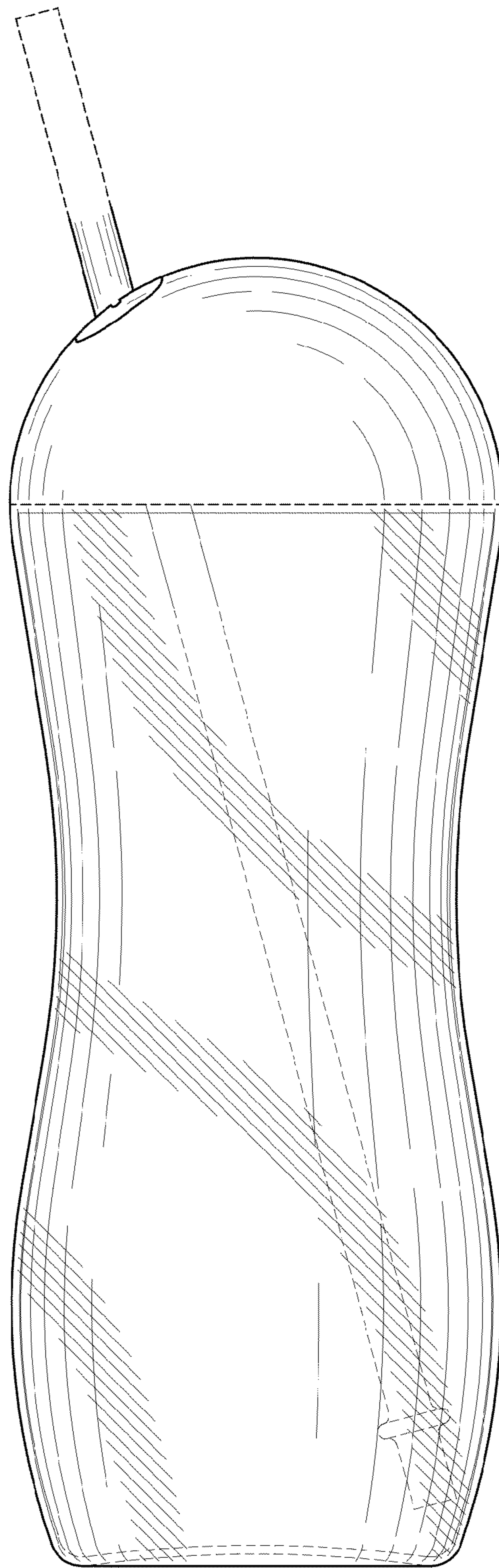


FIG. 5

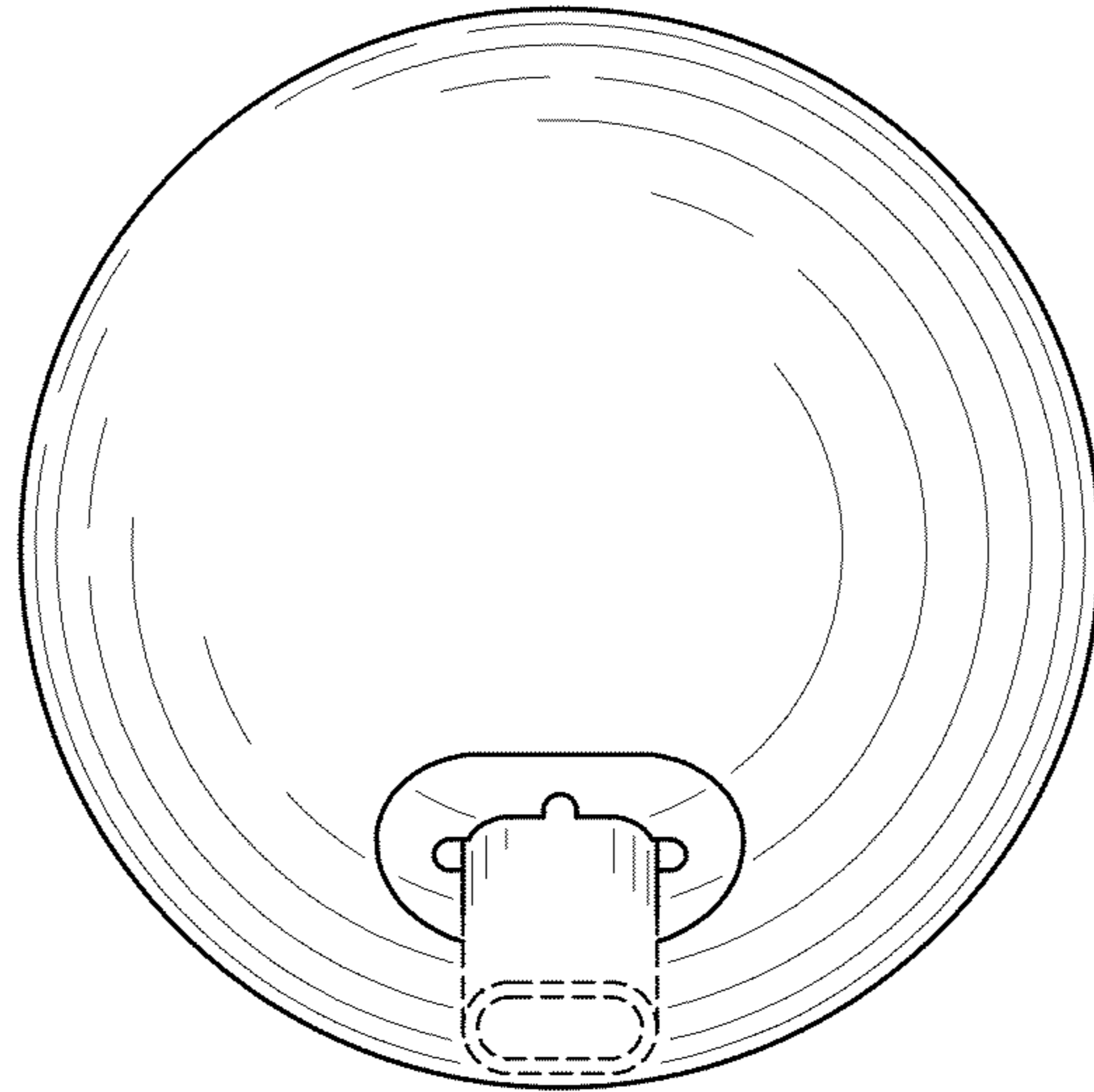


FIG. 6

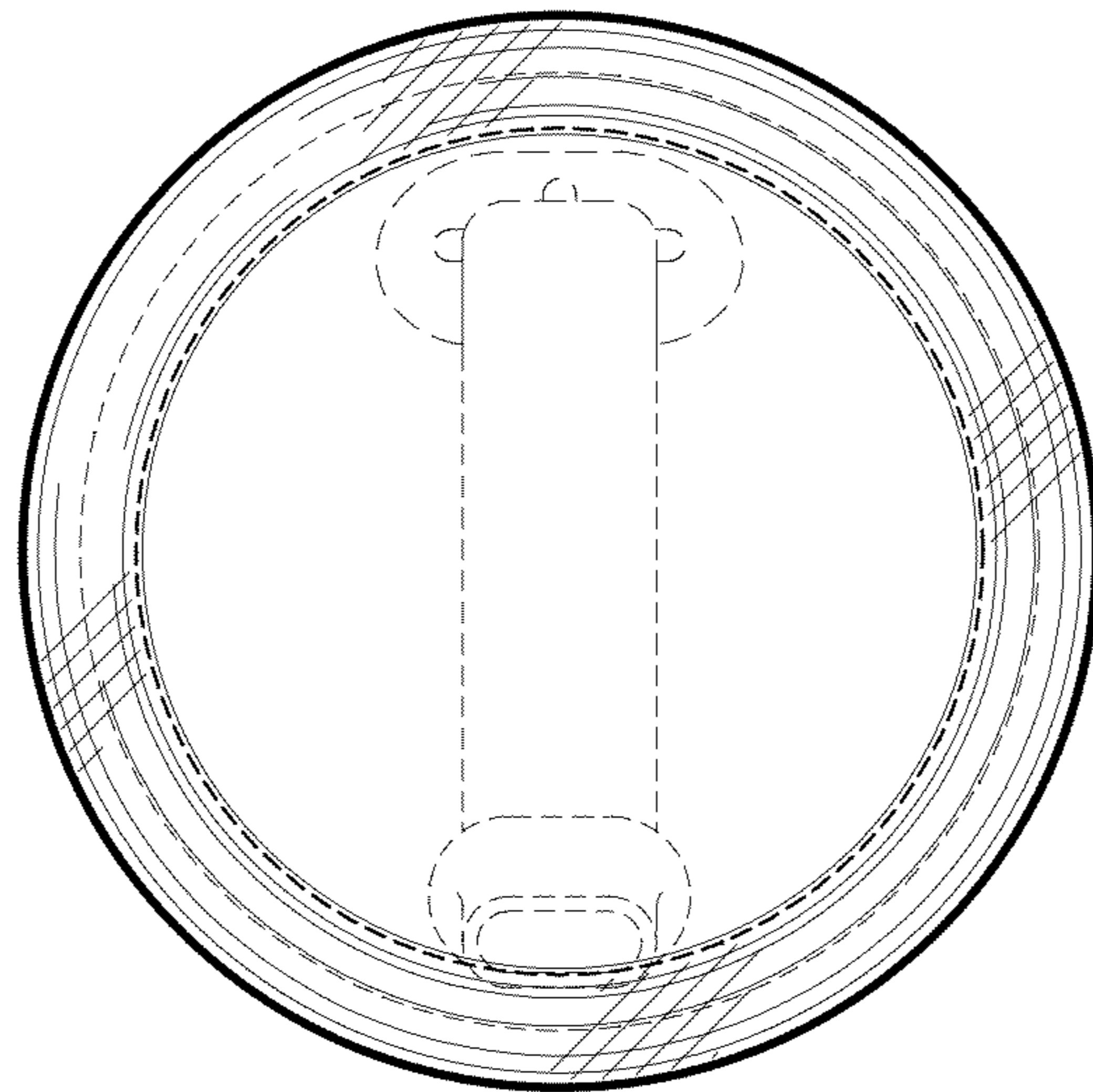


FIG. 7